



US00D393762S

United States Patent [19]
Khajavi

[11] **Patent Number: Des. 393,762**

[45] **Date of Patent: **Apr. 28, 1998**

[54] **FLAT FILE WITH TUBULAR DRAWER PULLS**

[76] **Inventor: Sina Khajavi, 15 Coral Tree La., Rolling Hills Estates, Calif. 90274**

[**] **Term: 14 Years**

[21] **Appl. No.: 53,816**

[22] **Filed: Apr. 30, 1996**

[51] **LOC (6) Cl. 06-04**

[52] **U.S. Cl. D6/445**

[58] **Field of Search D6/432-448; 312/204, 312/257**

[56] **References Cited**

U.S. PATENT DOCUMENTS

- D. 149,434 4/1948 Moberg D6/446
- D. 218,080 7/1970 Sierzega D6/446 X
- D. 229,464 12/1973 Martini D6/446
- D. 281,748 12/1985 Kiiski D6/446
- D. 286,714 11/1986 Verholt D6/446
- D. 323,082 1/1992 Ronas D6/446

OTHER PUBLICATIONS

DOMUS Nov., 1974 inside back cover; the stacking drawer system by Kartell.

Dataprint Discount CAD/Plotter & Drafting Supplies Catalog, 1996, p. 22 Mayline Plan Files, items No.: 7717, 7718, 7727-C, 7728, 7727-C, 7728-C, 7828-C.

Dataprint Discount CAD/Plotter & Drafting Supplies Catalog, 1996, p. 23 Safco flat Files, items No.: 4994, 4996, 4976, 4886, 4998.

Global Office Products Catalog, Win/Spr '96, 11 Harbor Park Dr., Dept 5F Port Washington, NY 11050, p. 47, Stak Master Files, items No.: PWJ8007, PWJ8008, PJW8009.

Primary Examiner—Carmen H. Vales-Lado

[57] **CLAIM**

The ornamental design for a flat file with tubular drawer pulls, as shown and described.

DESCRIPTION

FIG. 1 is a left side, front and top perspective view of a flat file with tubular drawer pulls showing my new design;

FIG. 2 is a left side, rear and top perspective view thereof;

FIG. 3 is a front elevation view thereof;

FIG. 4 is a side elevational view, the opposite side being identical thereto;

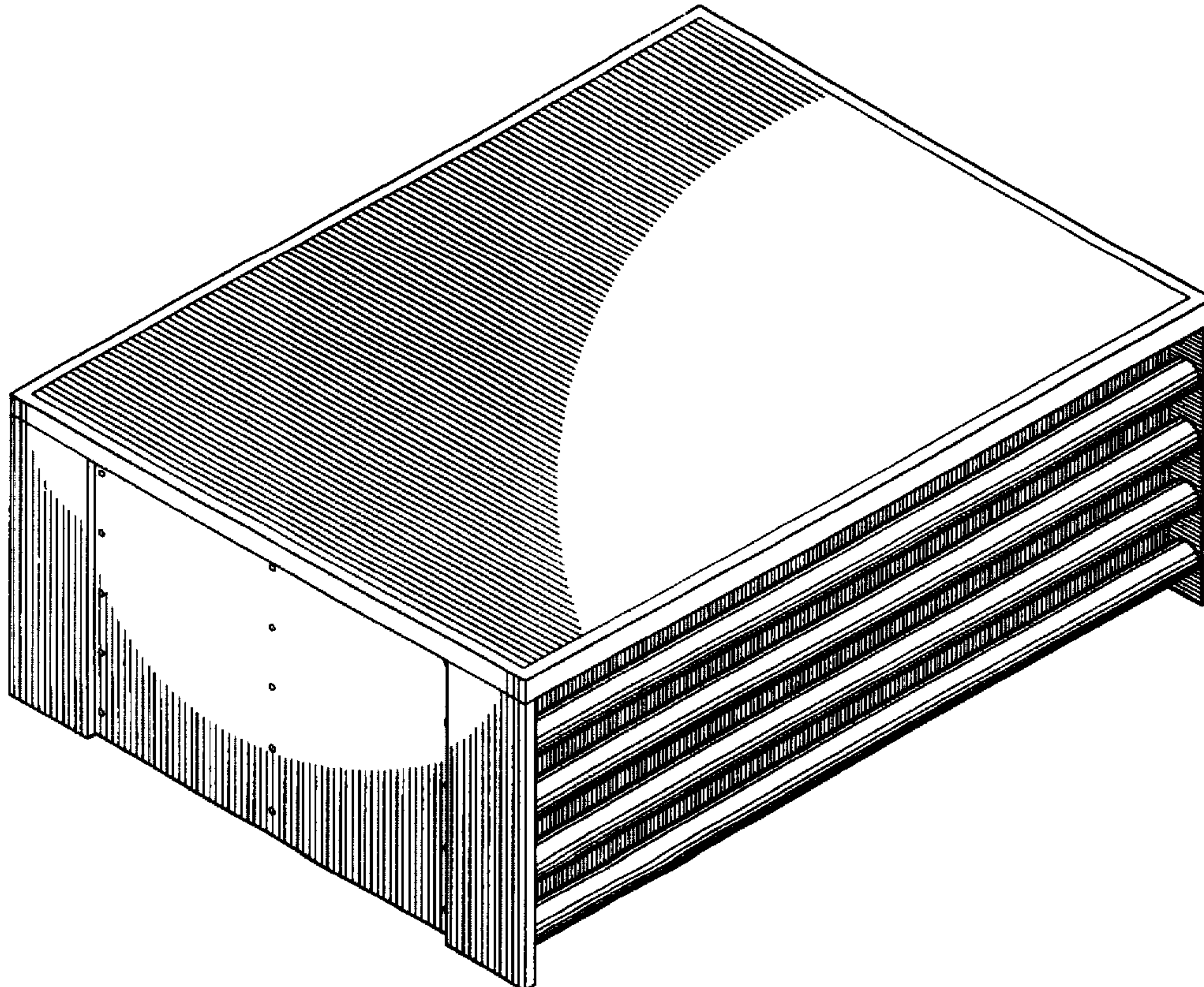
FIG. 5 is a rear elevational view thereof;

FIG. 6 is a top plan view thereof;

FIG. 7 is a top plan view of a drawer, the file and other drawers removed for convenience of illustration;

FIG. 8 is a left side, front and top perspective view thereof.

1 Claim, 8 Drawing Sheets



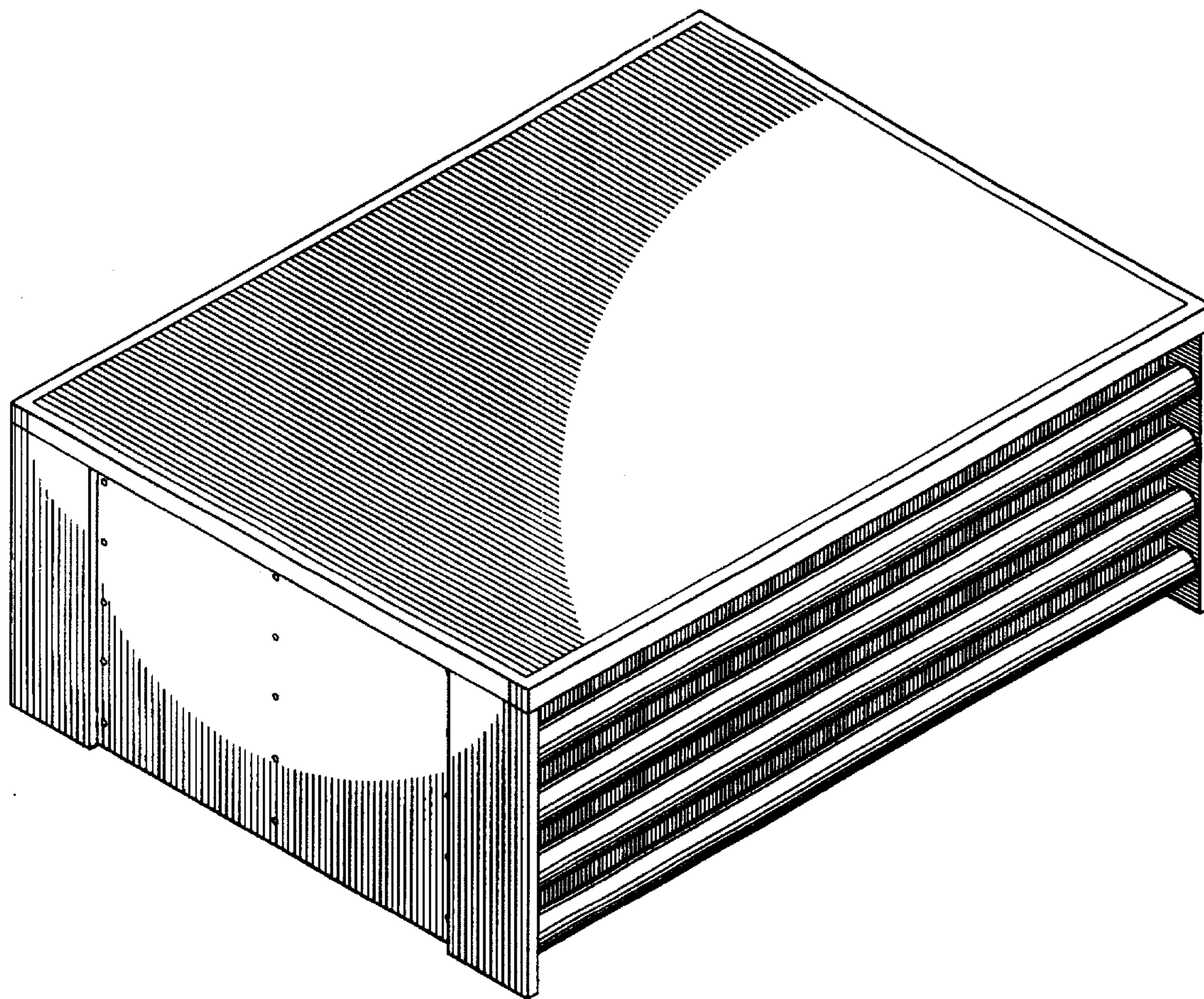


Fig. 1

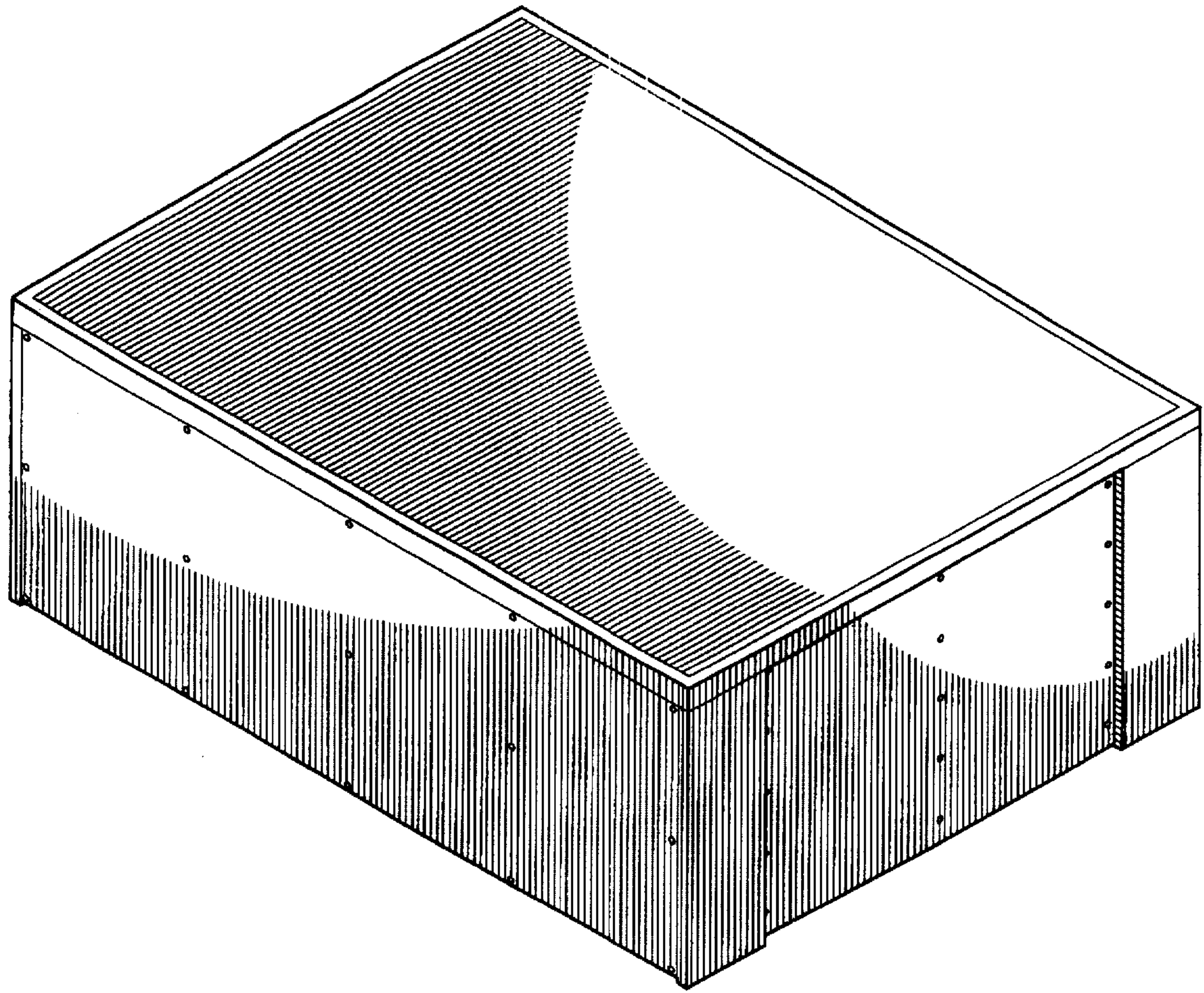


Fig. 2

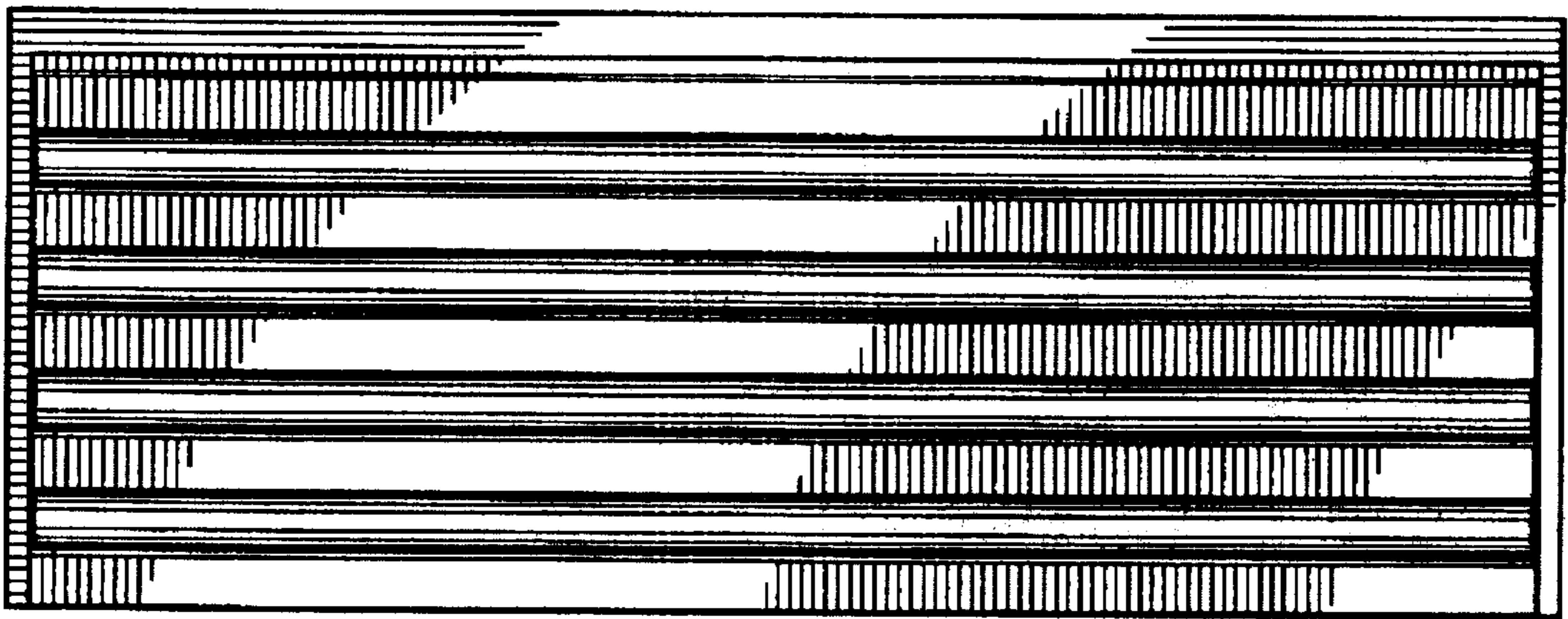


Fig. 3

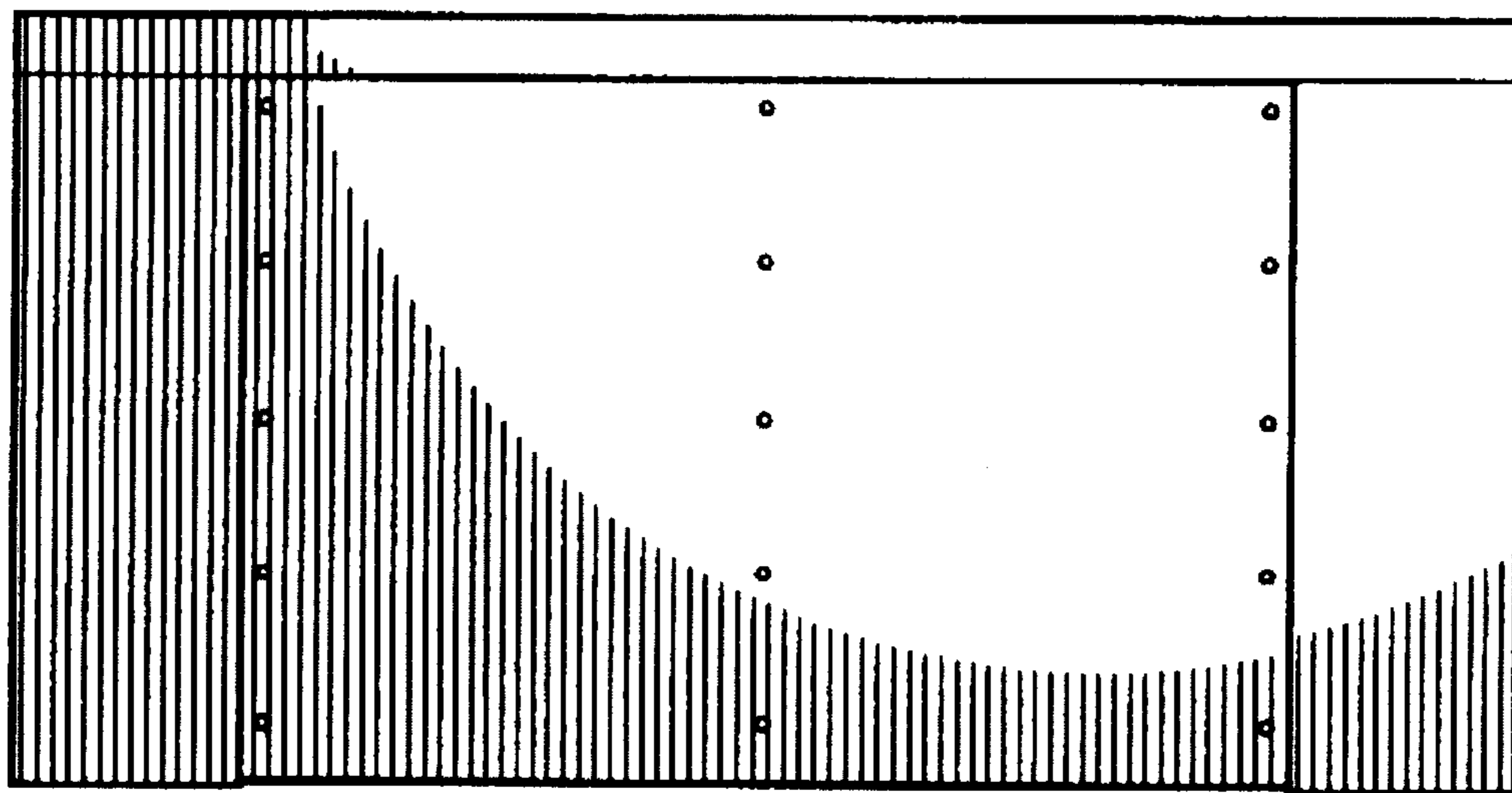


Fig. 4

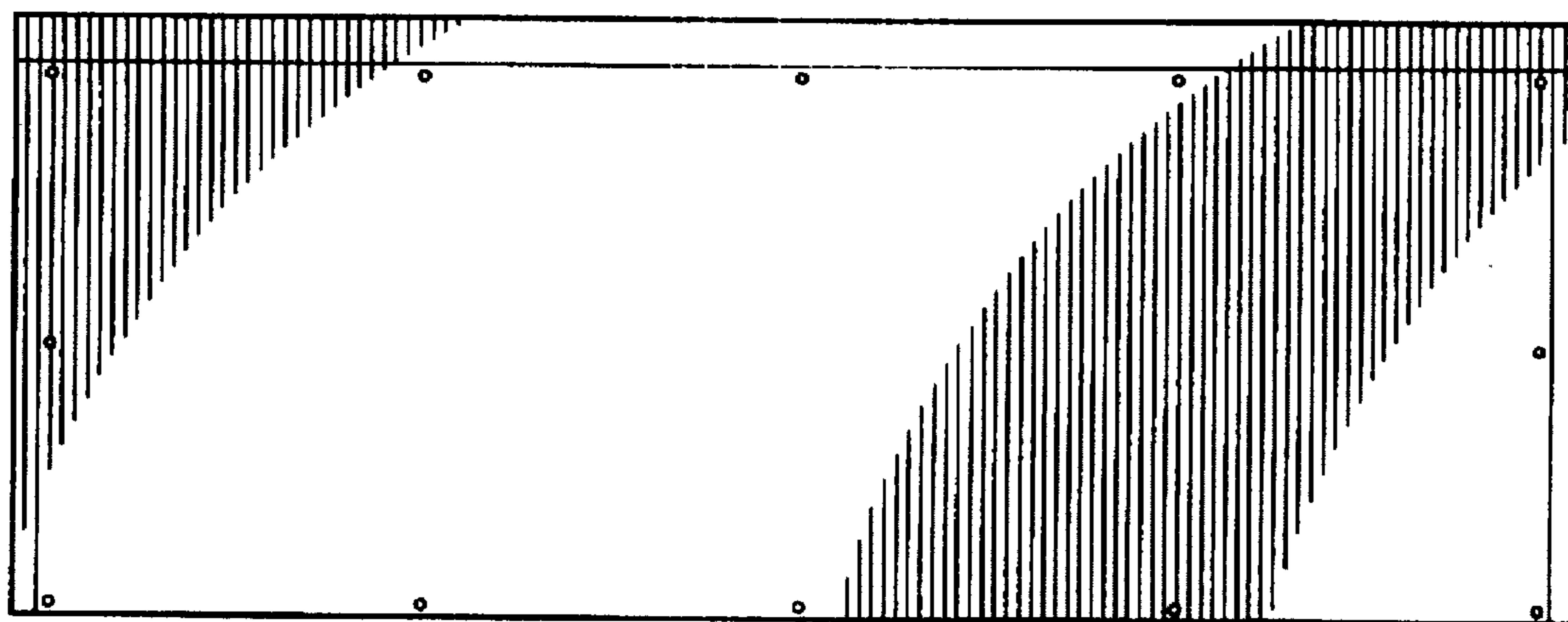


Fig. 5

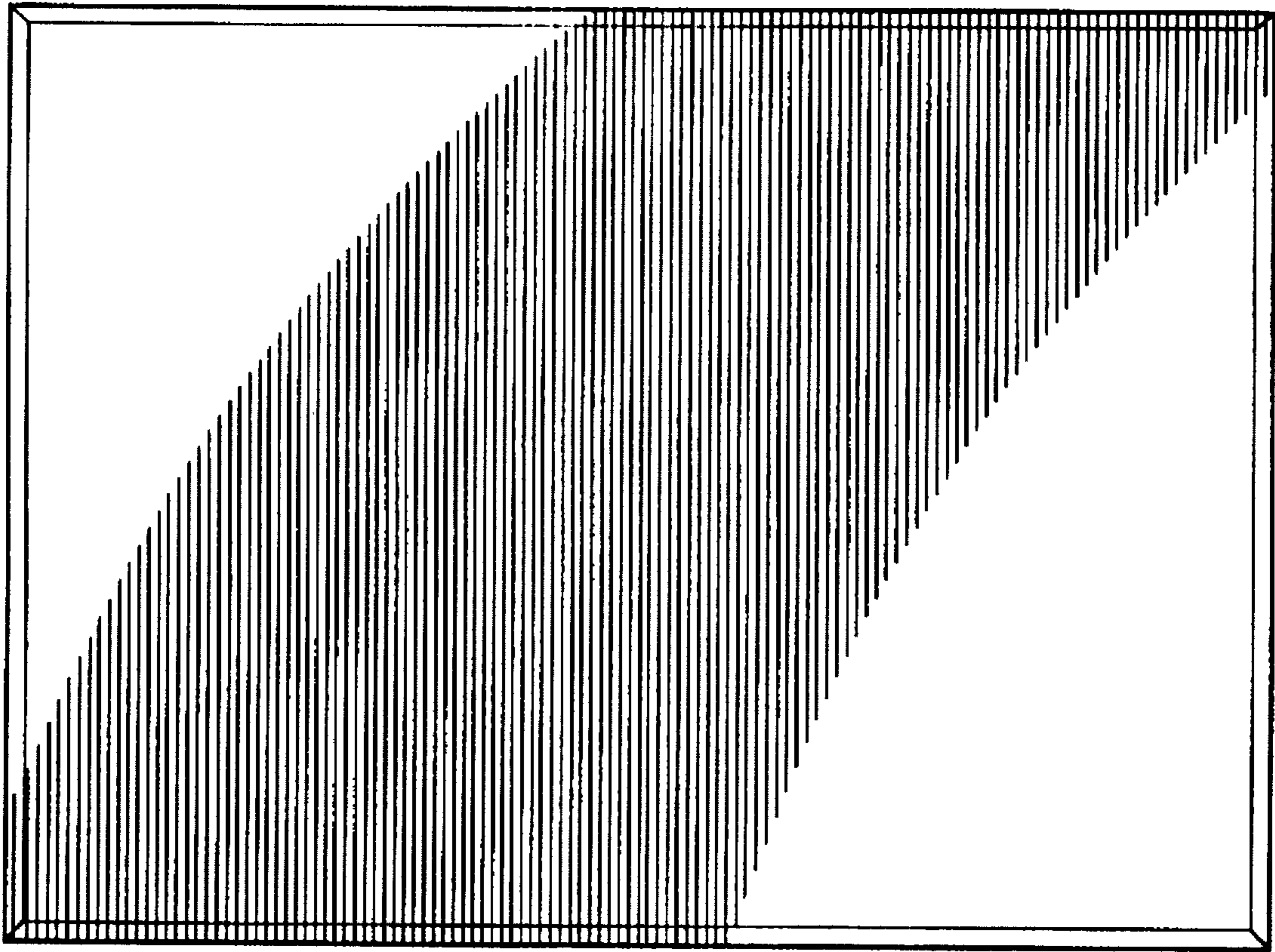


Fig. 6

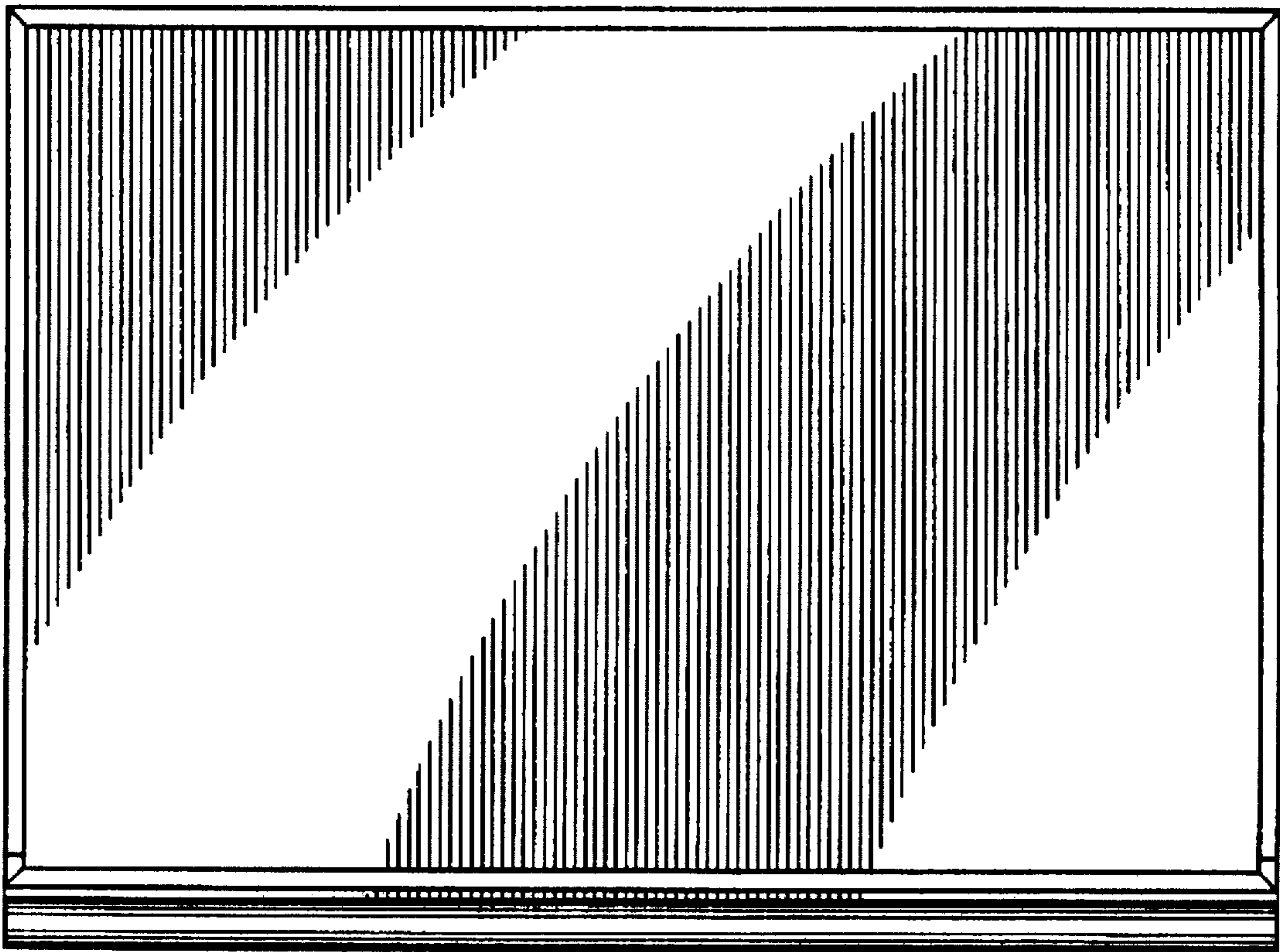


Fig. 7

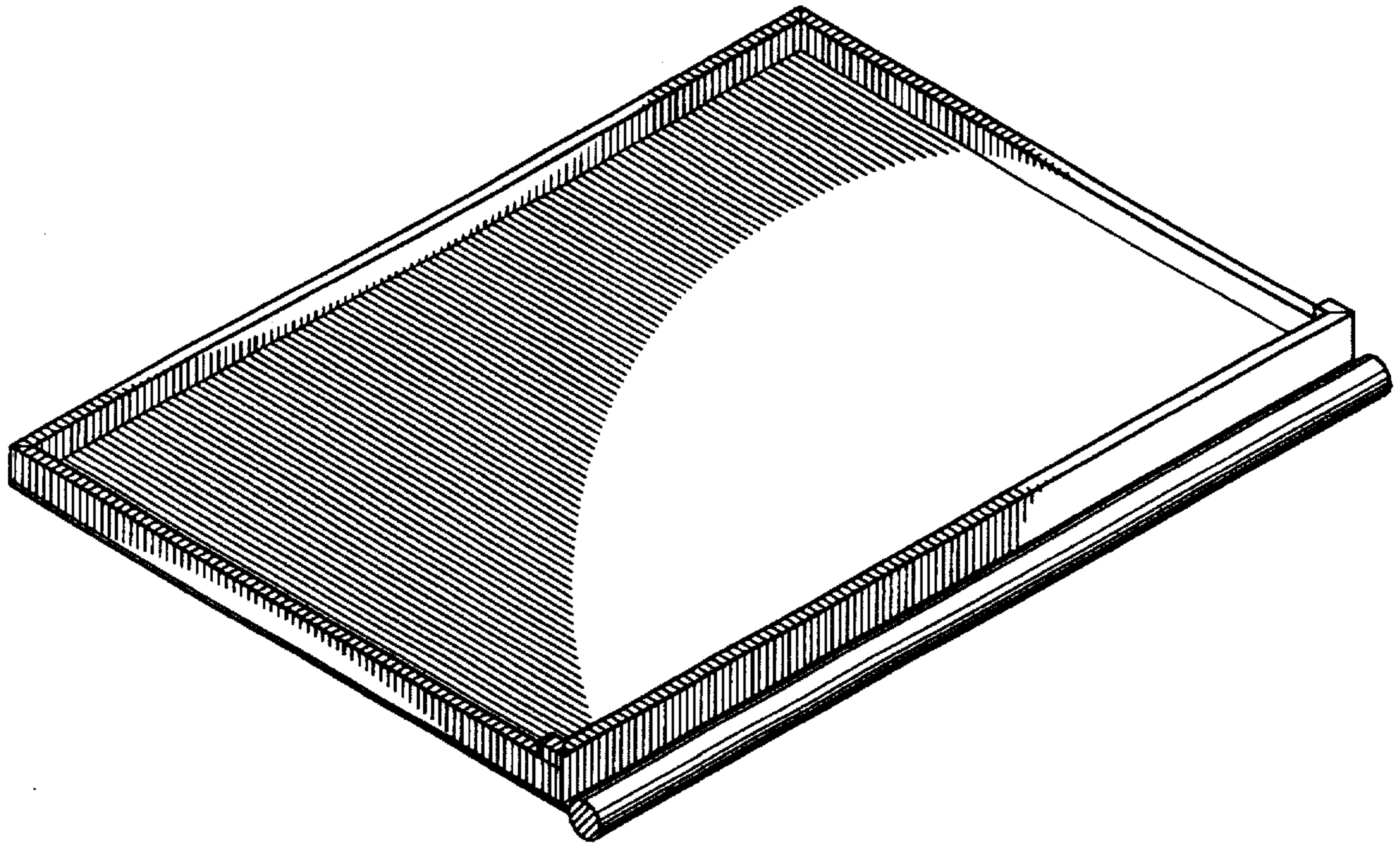


Fig. 8