



US00D393761S

United States Patent [19]

Hinton

[11] Patent Number: **Des. 393,761**

[45] Date of Patent: ****Apr. 28, 1998**

[54] **ADJUSTABLE TABLE FOR ASSEMBLING JIGSAW PUZZLES**

[76] Inventor: **Carlos Hinton**, 1515 Forest Nelson Blvd., M-103, Port Charlotte, Fla. 33952

[**] Term: **14 Years**

[21] Appl. No.: **63,248**

[22] Filed: **Dec. 3, 1996**

[51] LOC (6) Cl. **06-04**

[52] U.S. Cl. **D6/425; D6/430**

[58] Field of Search D6/432, 436, 449, D6/437, 460, 466, 476, 468, 474, 480, 483, 484, 509-511, 419, 425, 426, 427, 429-431; 248/176.1, 371, 393; 273/157 R; 108/90, 161, 145, 92, 1, 5, 11, 12, 18, 13, 9, 27, 106, 144; 312/235.9, 327, 204, 282, 196; D21/16, 23, 14, 32, 104, 34; D19/20

[56] **References Cited**

U.S. PATENT DOCUMENTS

- D. 254,822 4/1980 Crespi D6/460
- D. 318,961 8/1991 Edelson D6/510 X
- D. 357,149 4/1995 Uselman D6/511
- D. 370,366 6/1996 Watts D6/449
- D. 382,734 8/1997 Hartman, Sr. D6/480
- D. 383,491 9/1997 Chang D19/20
- 1,941,558 1/1934 Labbe 273/157 R
- 1,987,496 1/1935 Springborn 273/157 R
- 2,013,542 9/1935 Nordmark 108/3

- 2,051,490 8/1936 Lightfoot 108/5 X
- 2,307,396 1/1943 Draxler 108/90
- 3,792,668 2/1974 Ward 108/90 X
- 4,479,651 10/1984 LaFleur 273/157 R
- 5,078,460 1/1992 Molsinger 312/282 X
- 5,624,118 4/1997 Gottesman 273/157 R

Primary Examiner—James Gandy
Assistant Examiner—Linda Brooks

[57] **CLAIM**

The ornamental design for an adjustable table for assembling jigsaw puzzles, as shown and described.

DESCRIPTION

FIG. 1 is a front, top, and left side perspective view of the adjustable table for assembling jigsaw puzzles with the table top in the elevated condition and a slidable rotatable surface protruding outwardly therefrom and showing my new design, it being understood that the perspective front, top, and right side view is a mirror image thereof;

FIG. 2 is a left side elevational view thereof, with the table top in horizontal position and with the rotatable surface in housed position, it being understood that the right side is a mirror image of the left side;

FIG. 3 is a front elevational view thereof;

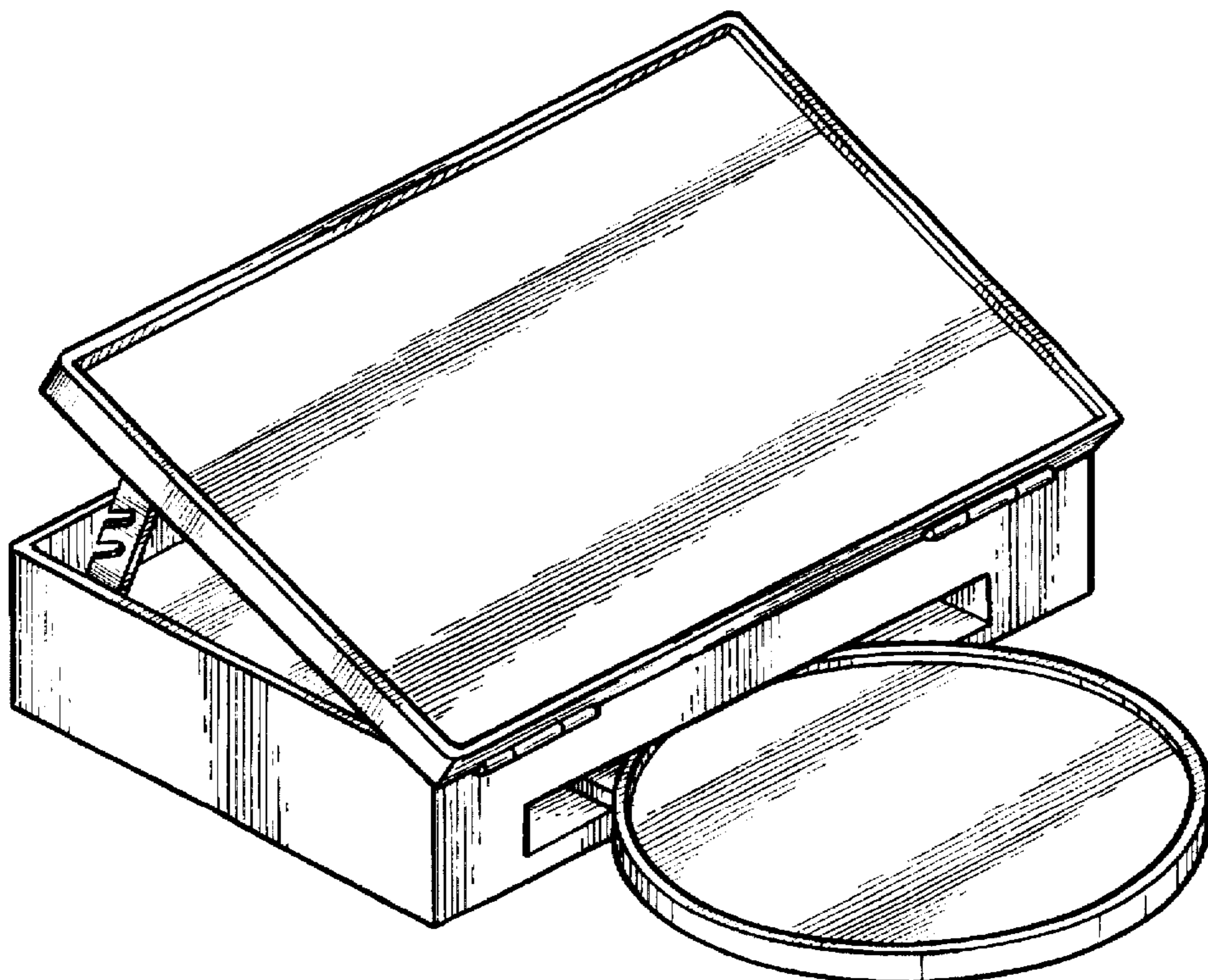
FIG. 4 is a rear elevational view thereof;

FIG. 5 is a top plan view thereof; and,

FIG. 6 is a bottom plan view thereof.

The interior surfaces which are not shown in FIG. 1 are flat and unornamented.

1 Claim, 3 Drawing Sheets



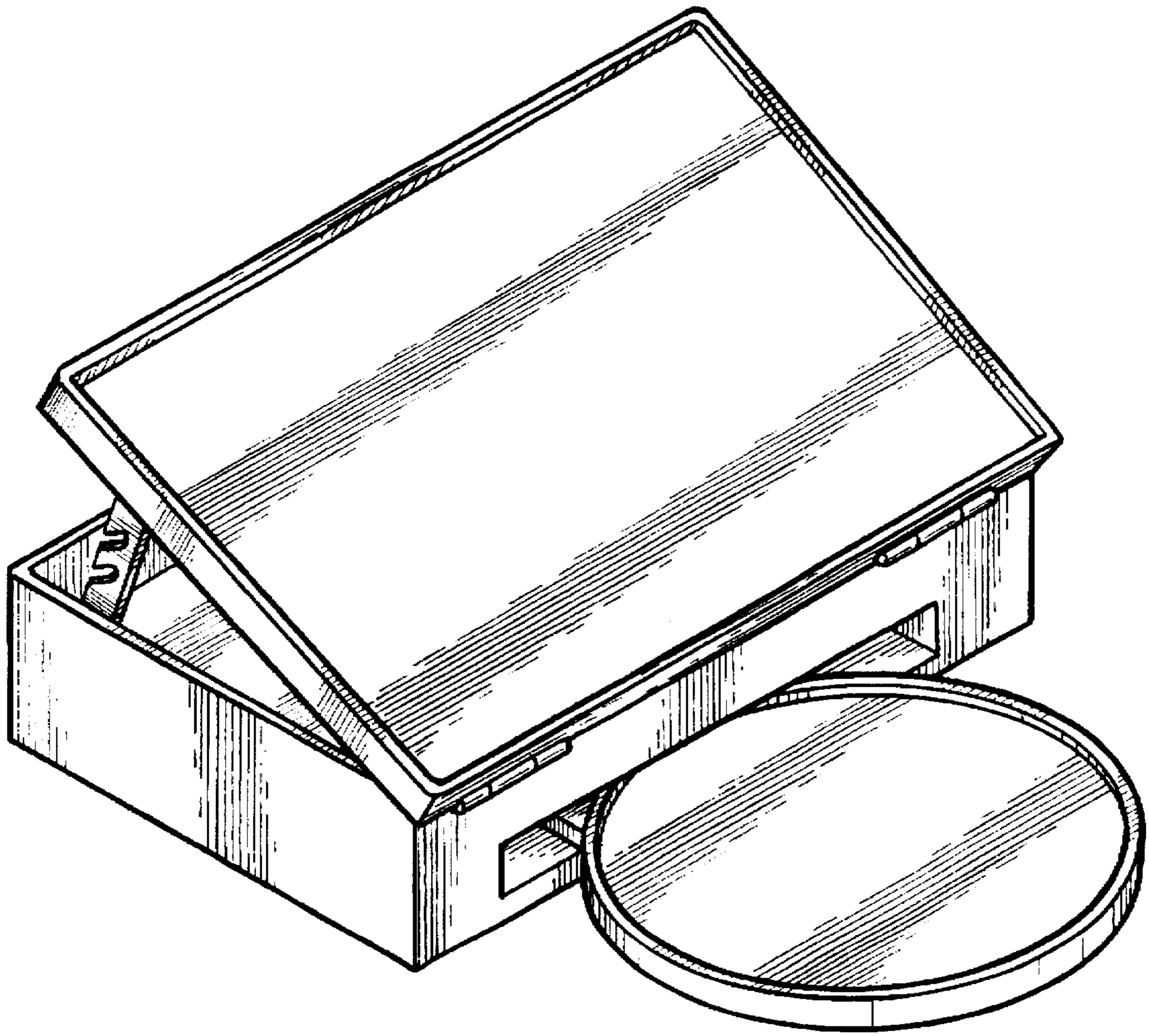


FIG. 1

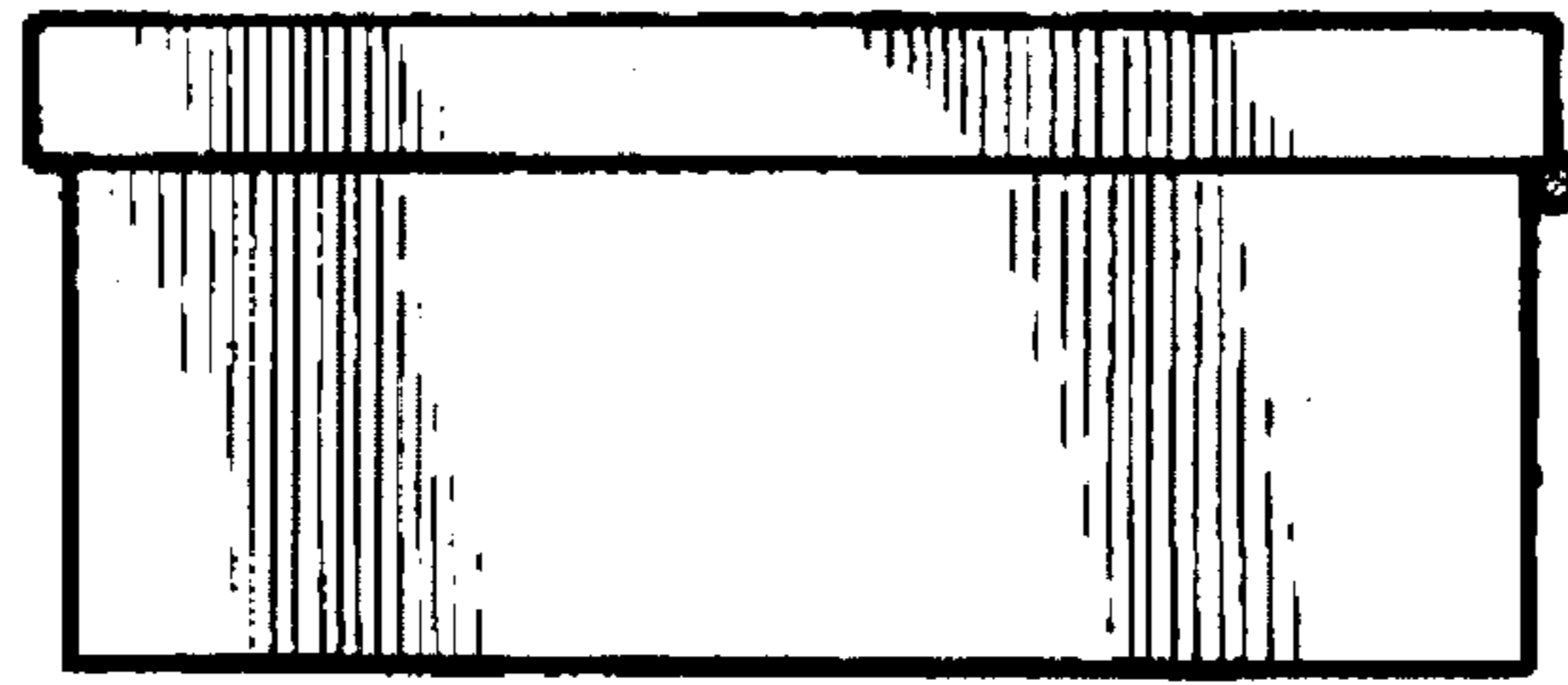


FIG. 2

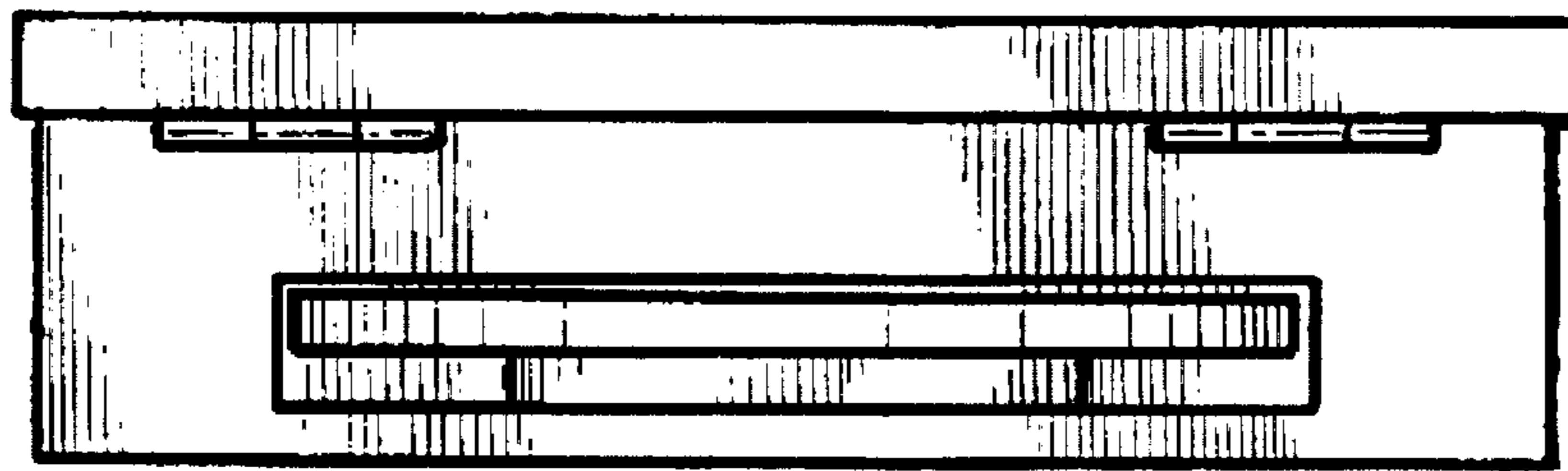


FIG. 3

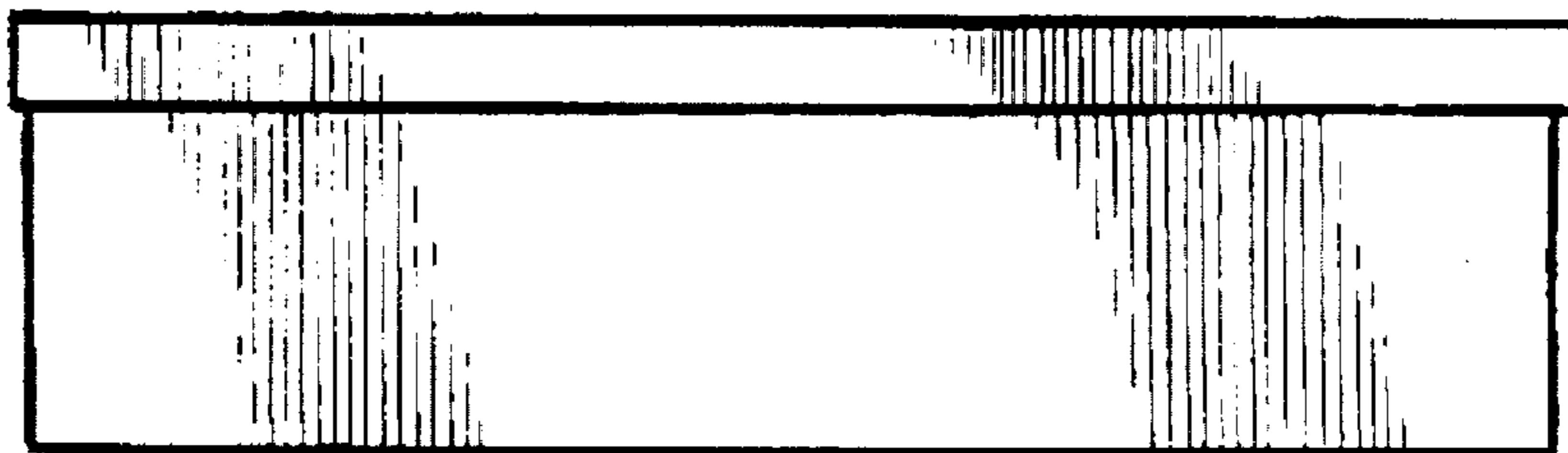


FIG. 4

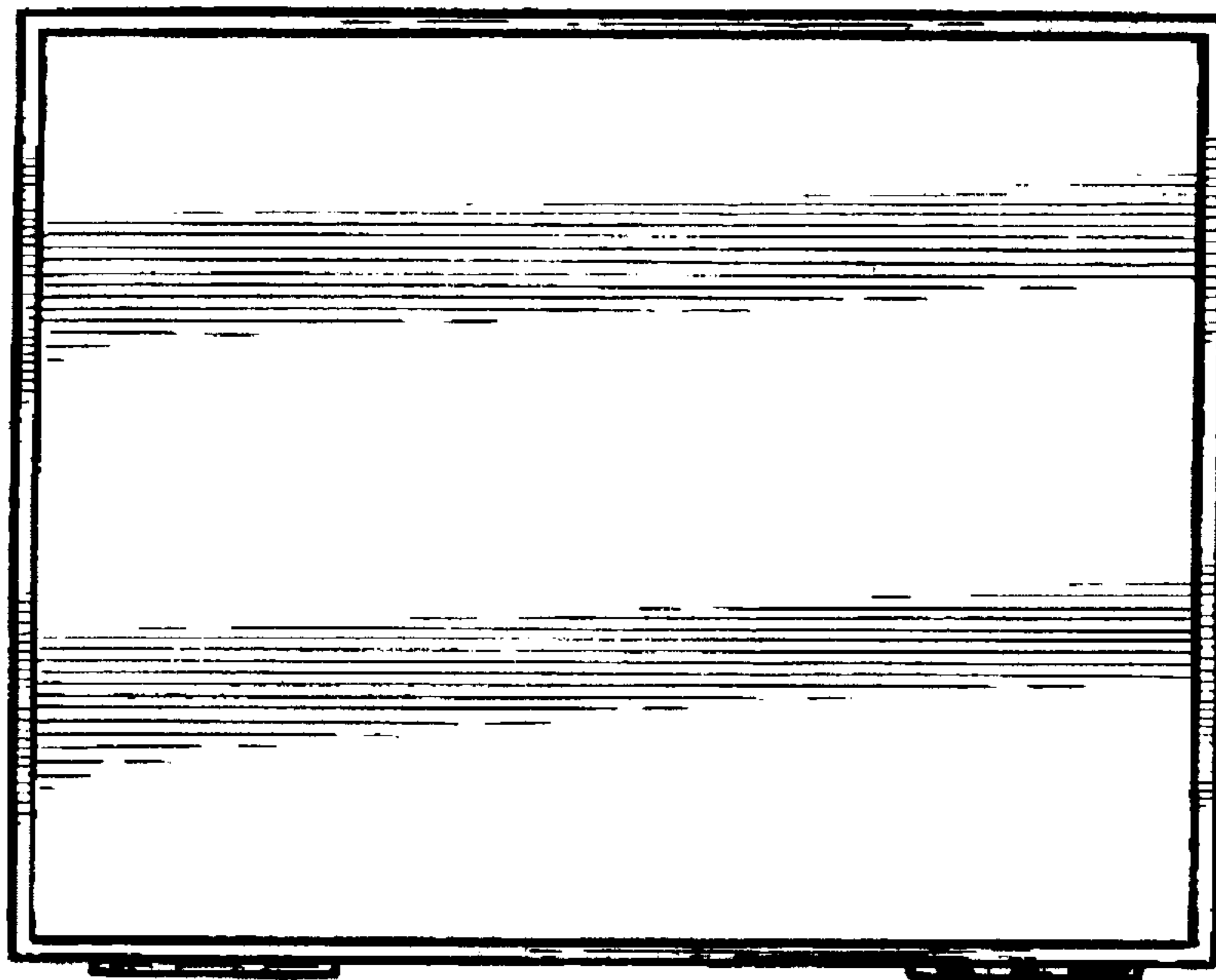


FIG. 5

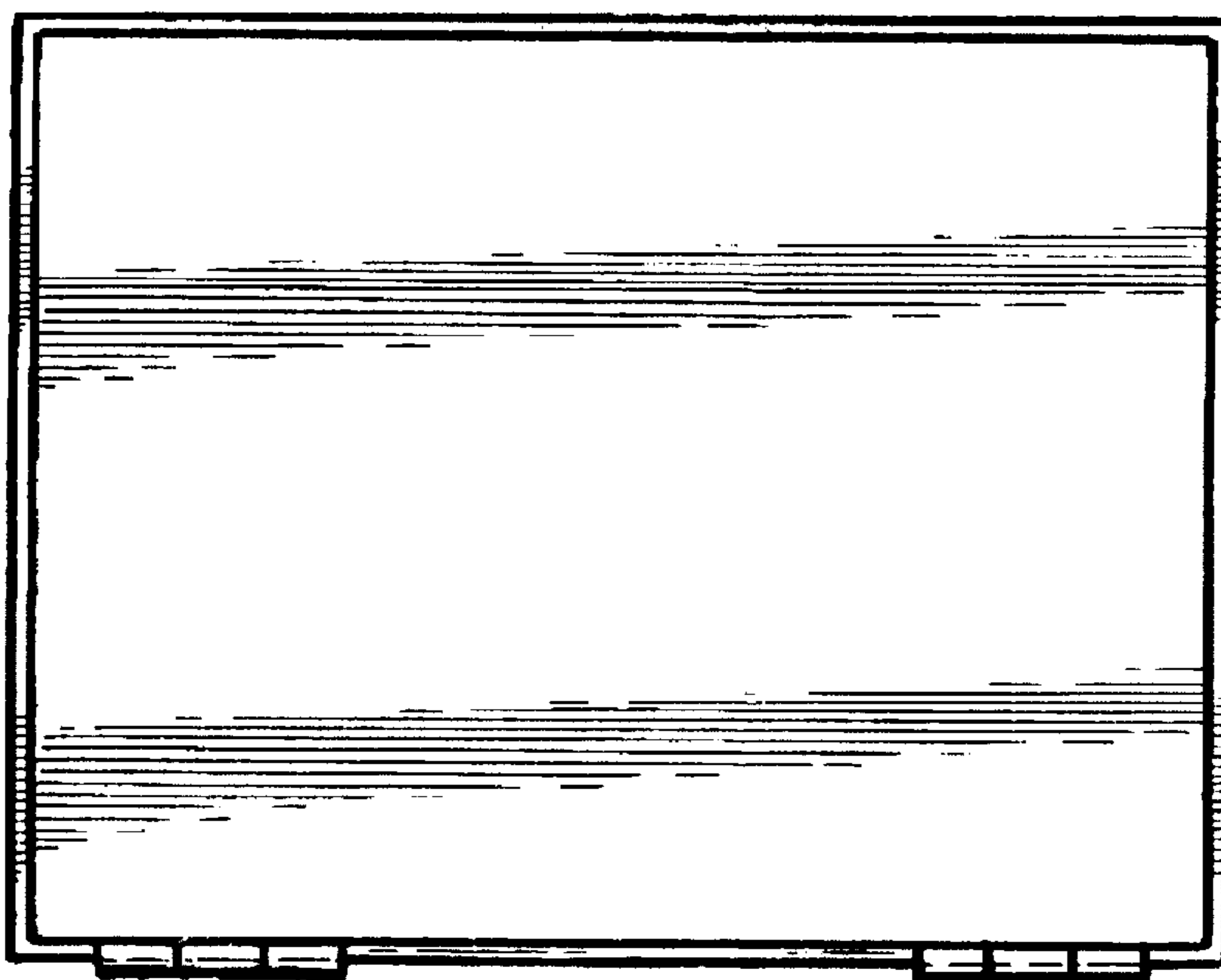


FIG. 6