



US00D393757S

United States Patent [19]
Breen

[11] **Patent Number: Des. 393,757**
[45] **Date of Patent: **Apr. 28, 1998**

[54] **STACKING CHAIR**

[75] **Inventor: William R. Breen, Ontario, Canada**
[73] **Assignee: Nightingale Inc., Mississauga, Canada**
[**] **Term: 14 Years**

[21] **Appl. No.: 70,004**
[22] **Filed: Apr. 21, 1997**

[51] **LOC (6) Cl. 06-01**
[52] **U.S. Cl. D6/373; D6/380**
[58] **Field of Search D6/334, 371, 372,
D6/373, 374, 376, 379, 380, 500, 501,
502; 297/239, 447.4, 448.2**

[56] **References Cited**

U.S. PATENT DOCUMENTS

- D. 202,775 11/1965 Rowland .
- D. 224,824 9/1972 Buhk .
- D. 243,425 2/1977 Gibson .
- D. 246,813 1/1978 Tolleson .
- D. 314,285 2/1991 Favaretto D6/373
- D. 344,418 2/1994 Favaretto .

OTHER PUBLICATIONS

United Chair—"ergo /stak"—Brochure Feb. 1991.
Chromcraft "Chromcraft Contract STAXX"—Brochure—
undated.

Primary Examiner—Gary D. Watson
Attorney, Agent, or Firm—Barrigar & Moss

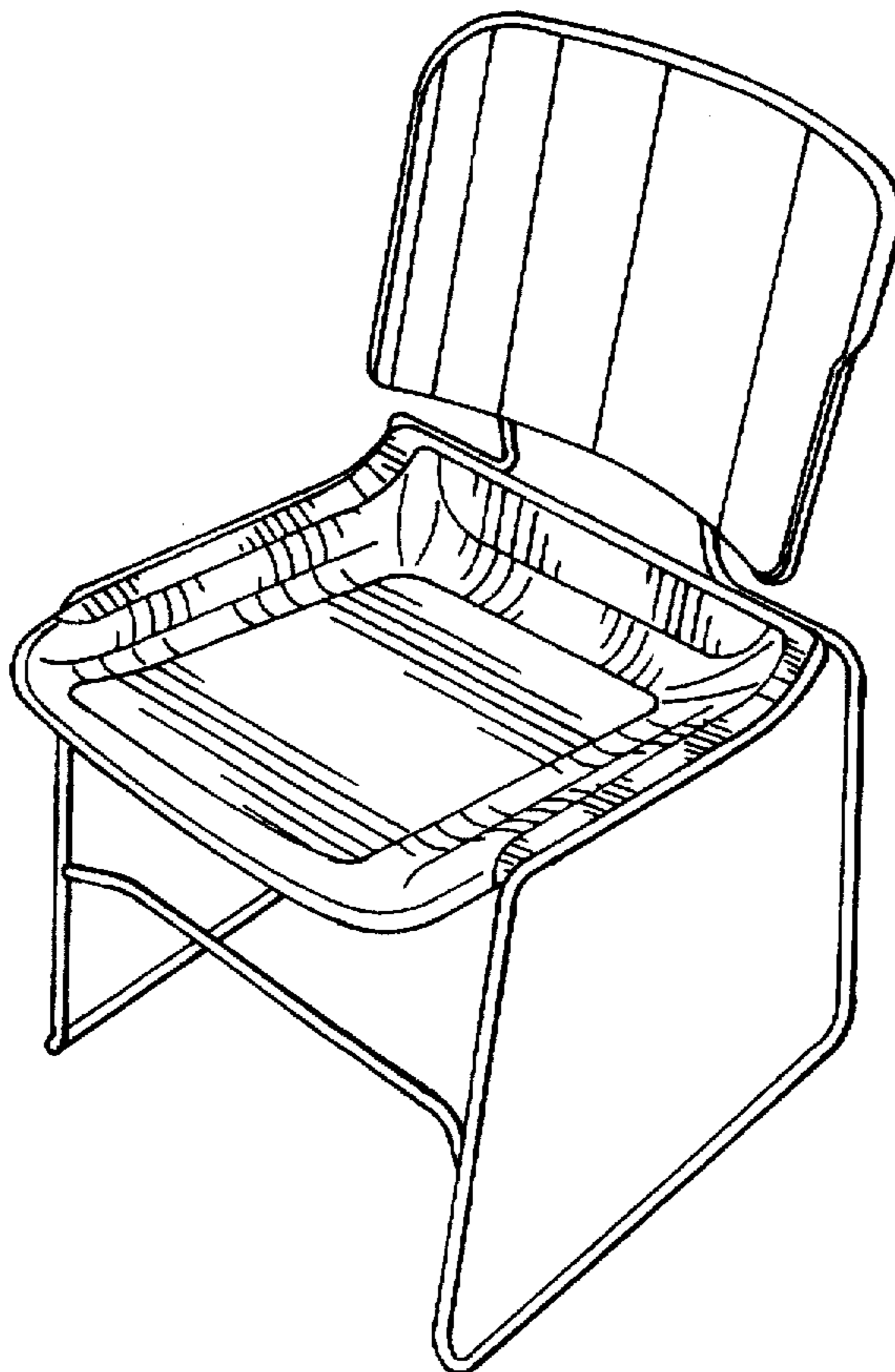
[57] **CLAIM**

The ornamental design for a stacking chair, as shown and
described.

DESCRIPTION

FIG. 1 is a left front perspective view of a stacking chair
taken from above showing my new design;
FIG. 2 is a right front perspective view thereof taken from
below;
FIG. 3 is a left side elevational view thereof, the right side
being a mirror image;
FIG. 4 is a front elevational view thereof;
FIG. 5 is a top plan view thereof;
FIG. 6 is a rear elevational view thereof; and,
FIG. 7 is a bottom view thereof.

1 Claim, 4 Drawing Sheets



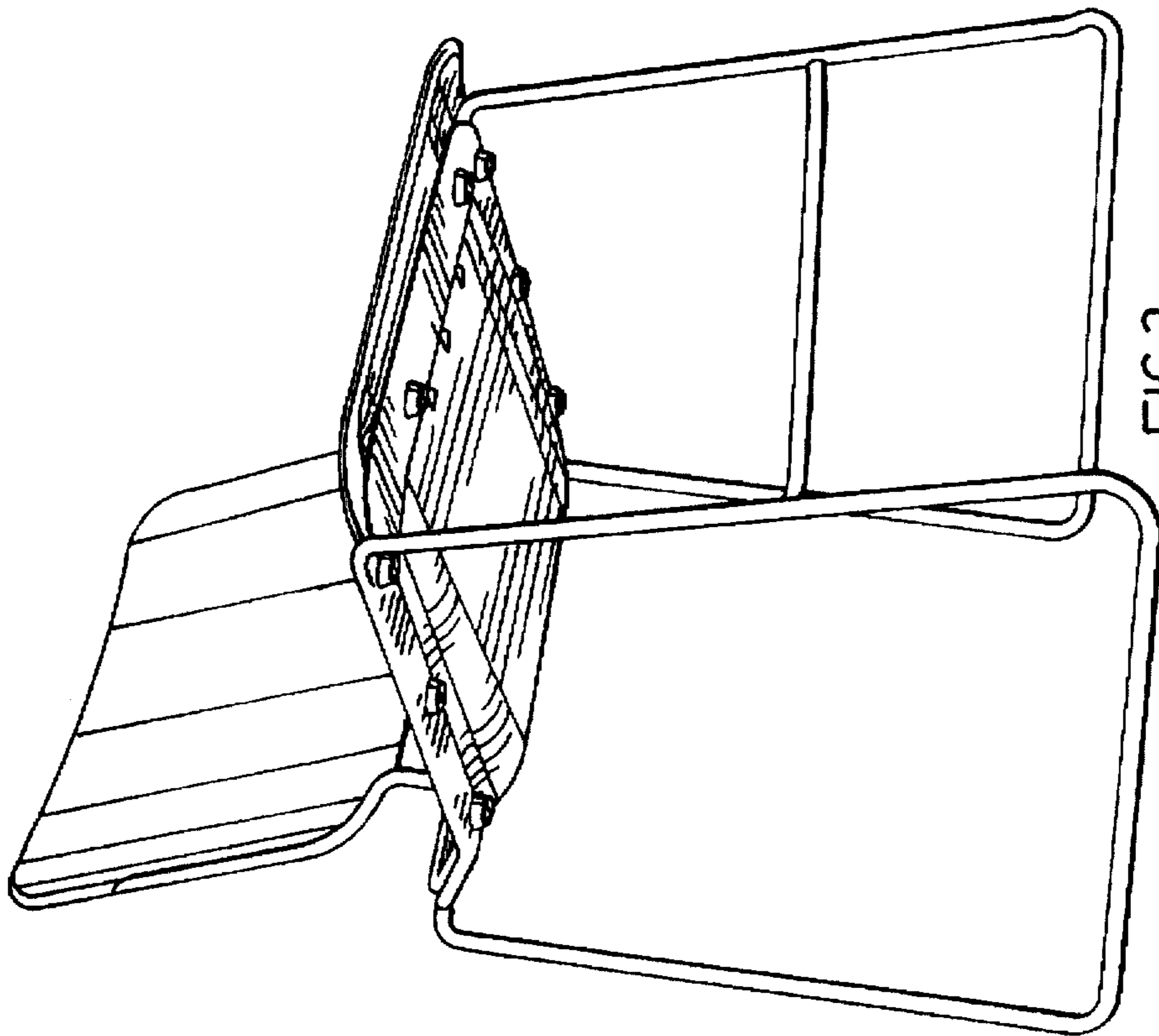


FIG. 2

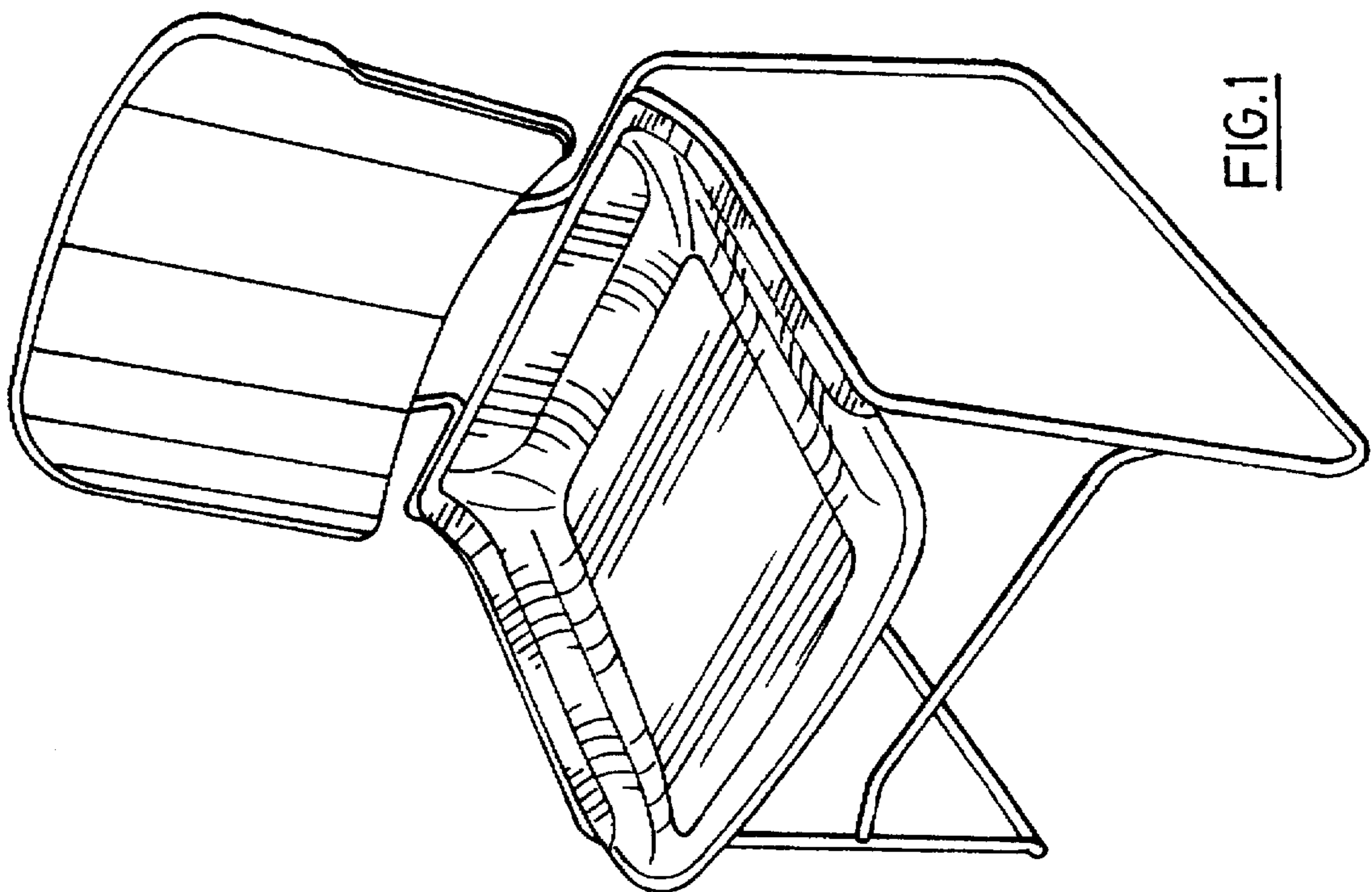


FIG. 1

FIG. 4

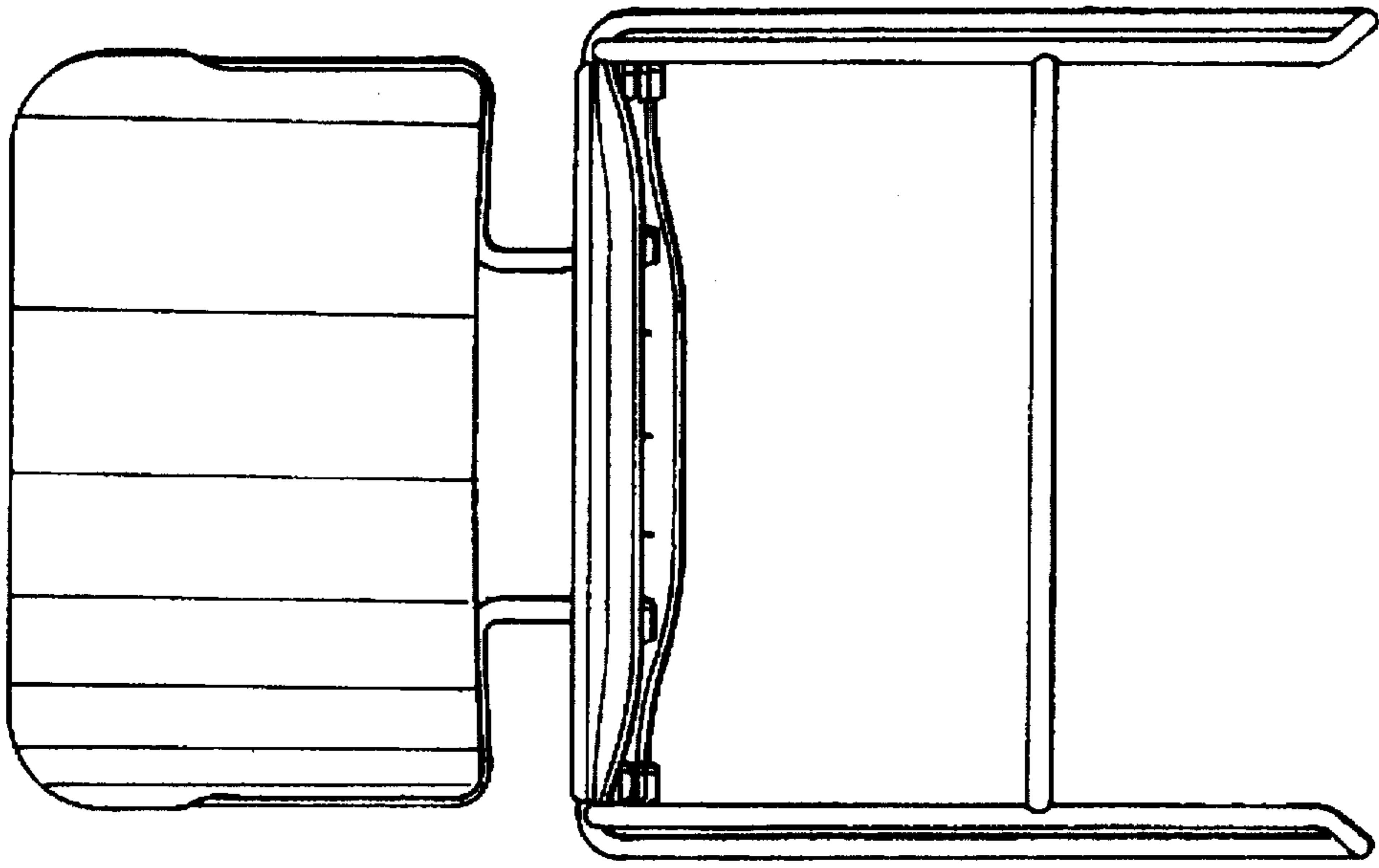
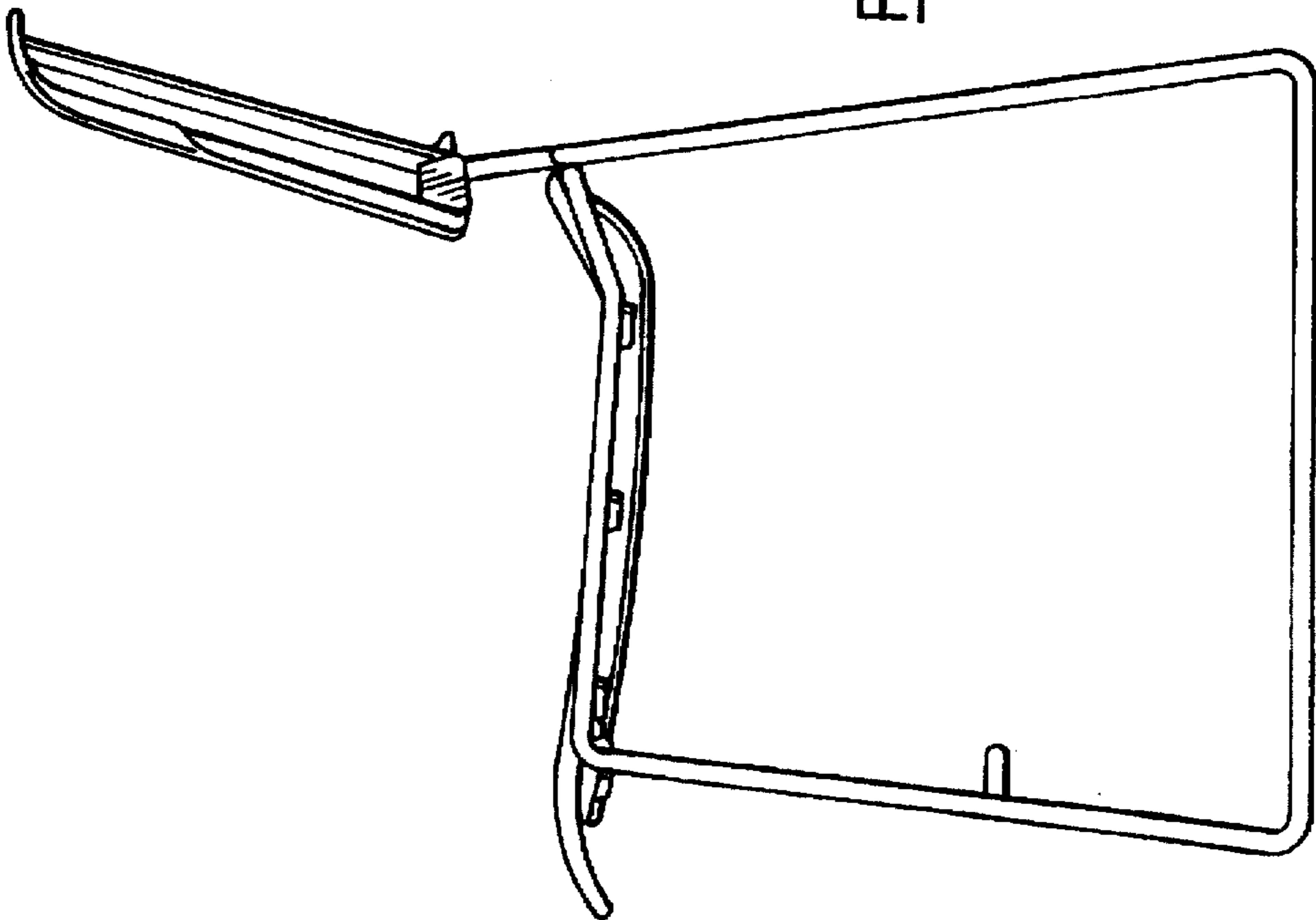


FIG. 3



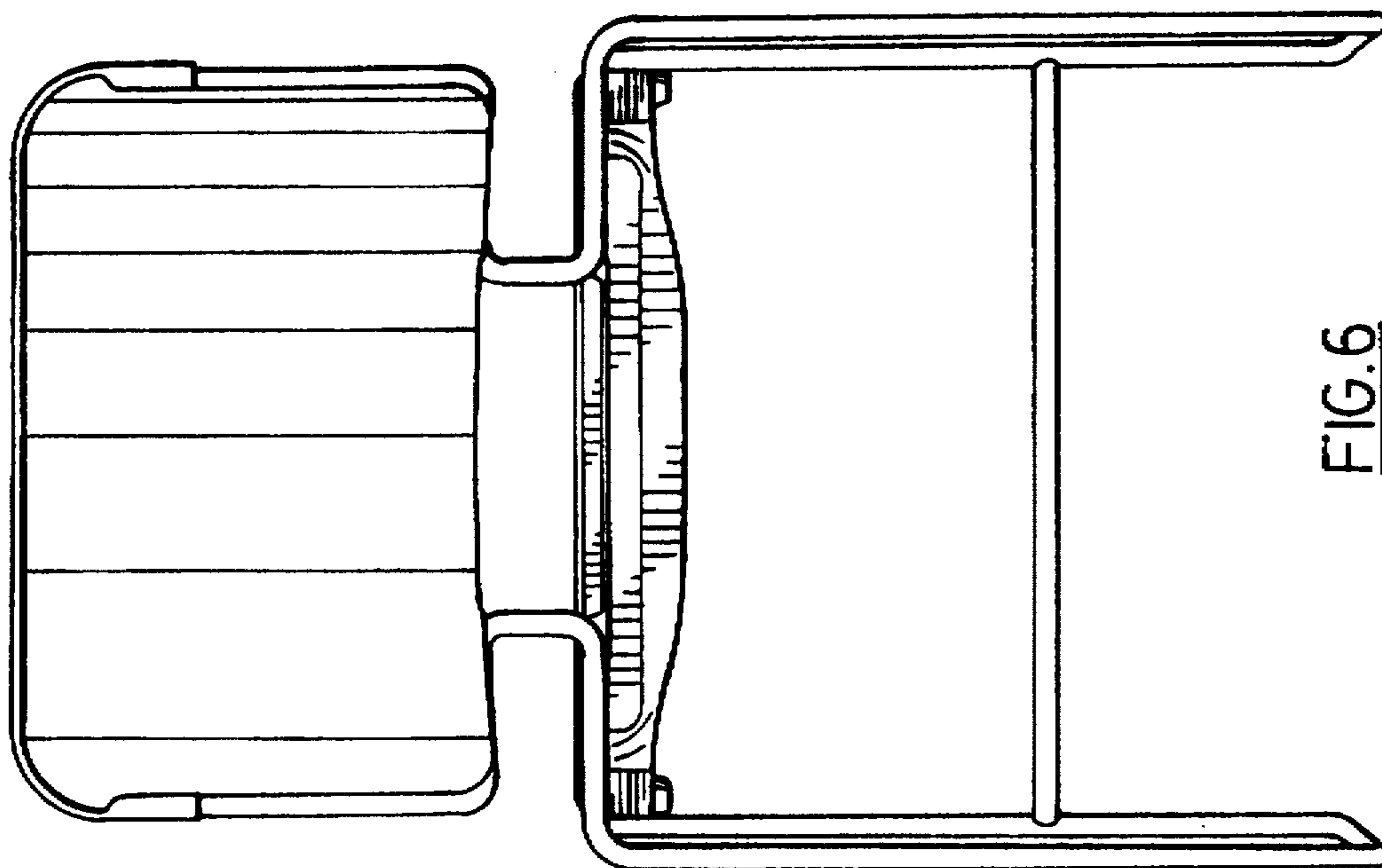


FIG. 6

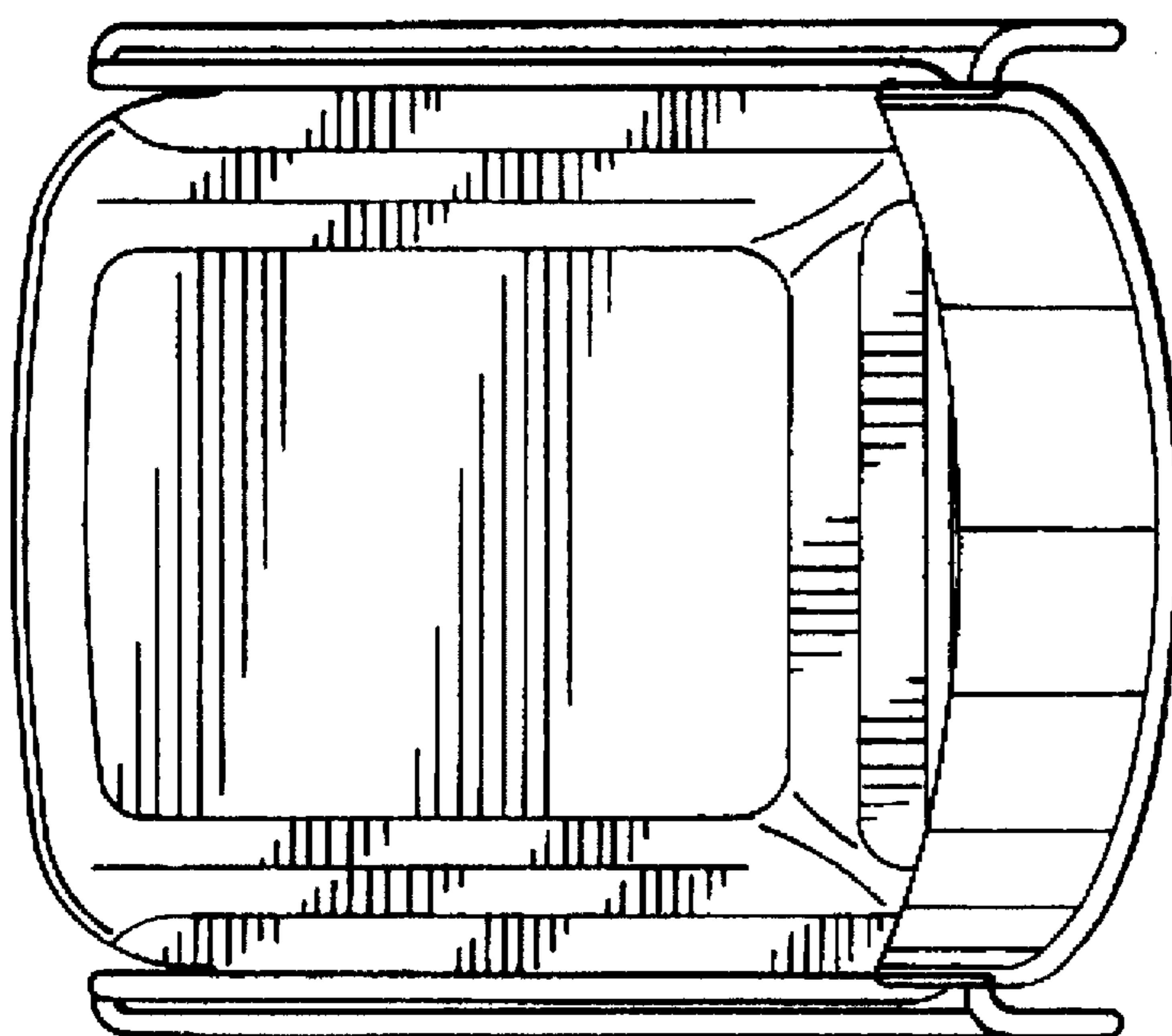


FIG. 5

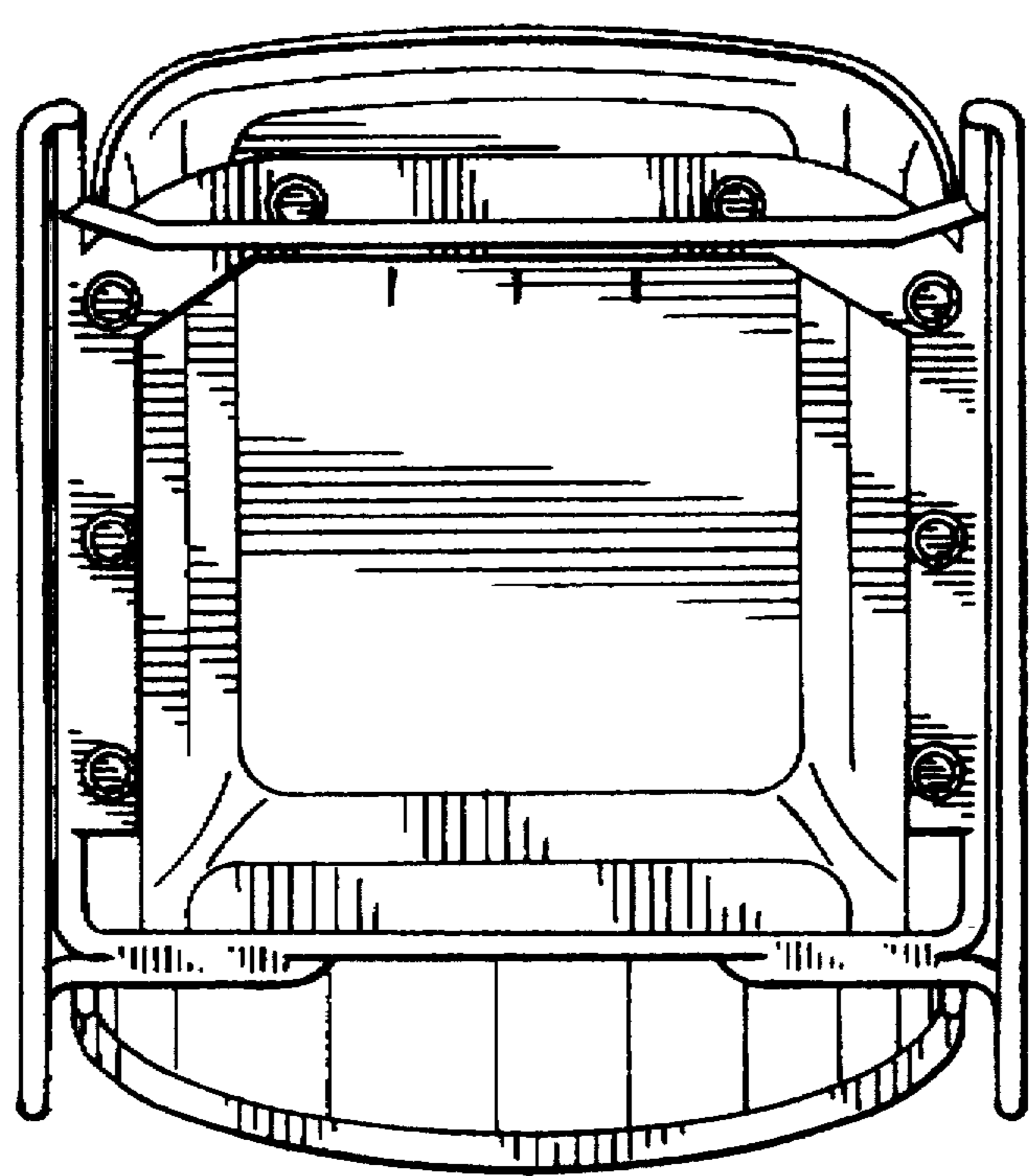


FIG. 7