



US00D393751S

United States Patent [19]

Liang

[11] Patent Number: Des. 393,751

[45] Date of Patent: **Apr. 28, 1998

[54] SHOE HANGER

5,282,553 2/1994 Ibled 223/85

[76] Inventor: **Juan Liang**, 1,Alley 14-1, Shern-Guang Lane, Tai-Ping Country, Taichung County, Taiwan

FOREIGN PATENT DOCUMENTS

2270186 3/1994 United Kingdom 223/85

[**] Term: 14 Years

Primary Examiner—B. J. Bullock
Attorney, Agent, or Firm—Beveridge, DeGrandi, Weilacher & Young LLP

[21] Appl. No.: 69,443

[57] CLAIM

[22] Filed: Apr. 16, 1997

The ornamental design for a shoe hanger, as shown and described.

[51] LOC (6) Cl. 06-08

[52] U.S. Cl. D6/315

[58] Field of Search D6/315; 211/34, 211/113; 223/85

DESCRIPTION

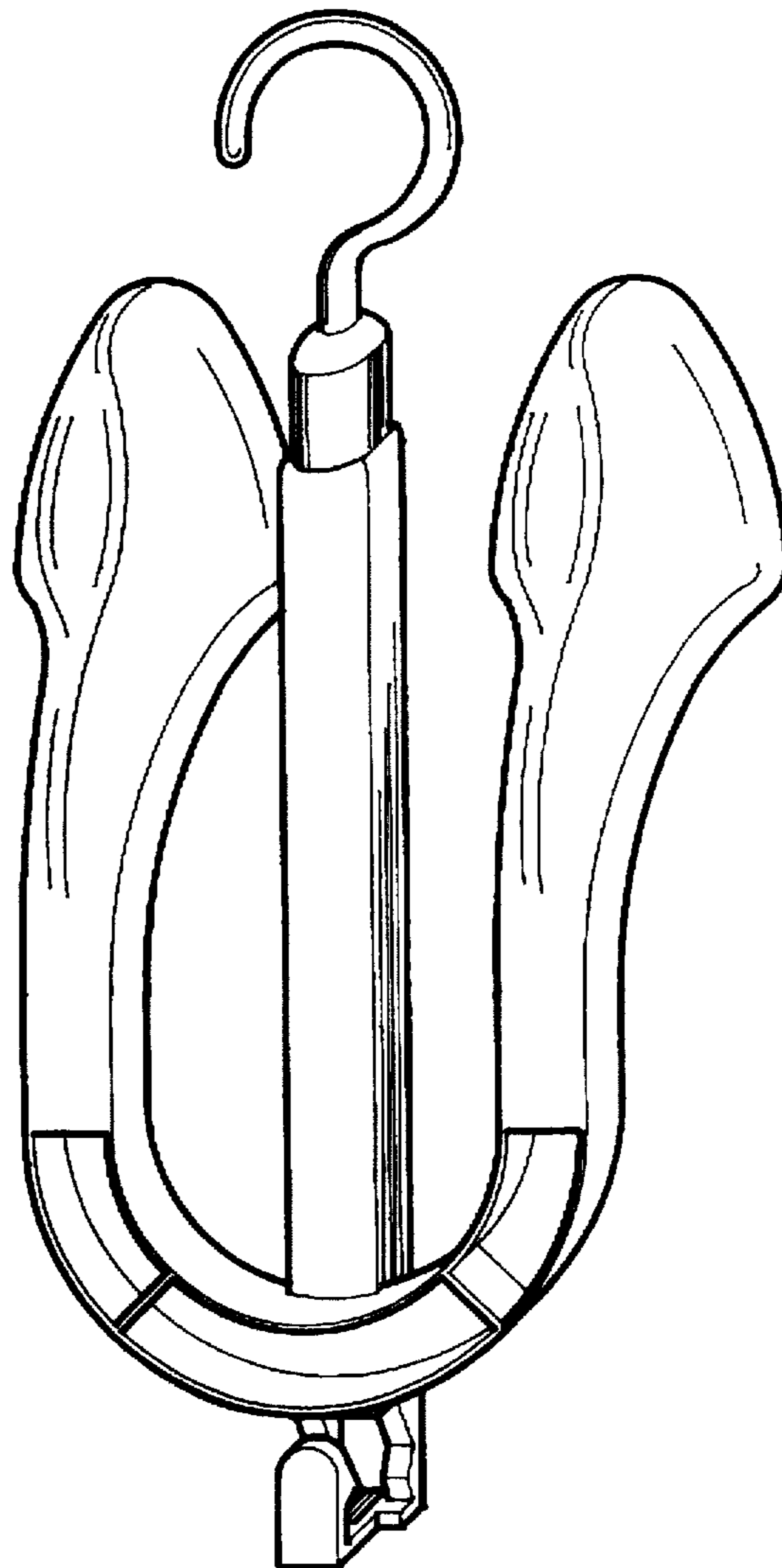
FIG. 1 is a perspective view of my new design; FIG. 2 is a reduced left elevational view of my new design; FIG. 3 is a reduced right elevational view of my new design; FIG. 4 is a reduced front elevational view of my new design; FIG. 5 is a reduced rear elevational view of my new design; FIG. 6 is a reduced top plan view of my new design; and FIG. 7 is a reduced bottom plan view of my new design.

[56] References Cited

U.S. PATENT DOCUMENTS

D. 342,612	12/1993	McIntyre	D6/315
D. 360,533	7/1995	Williams	D6/315
4,669,612	6/1987	Zigman	211/34
4,823,962	4/1989	Arias	211/34

1 Claim, 5 Drawing Sheets



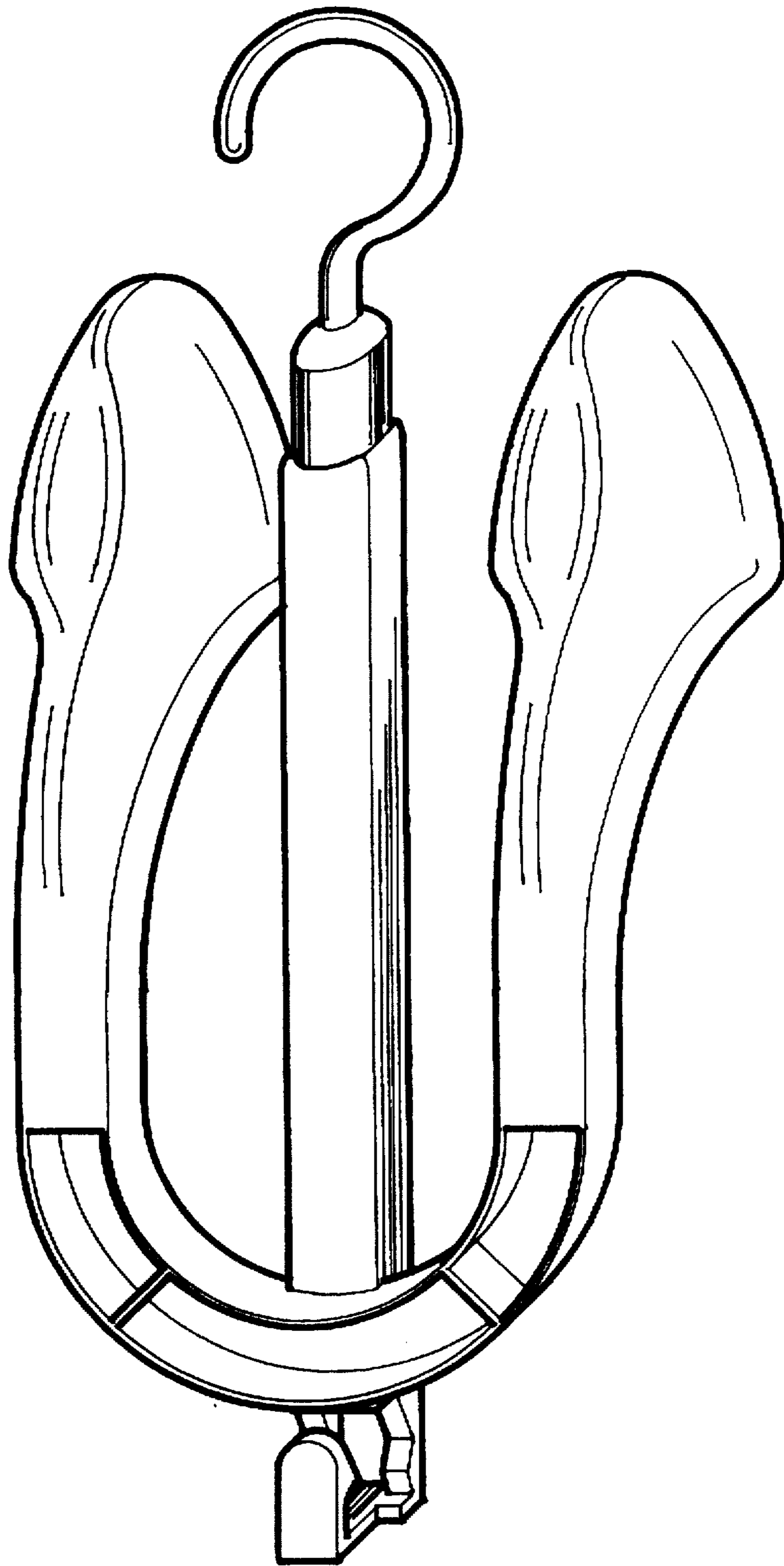


Fig 1



Fig 2



Fig 3

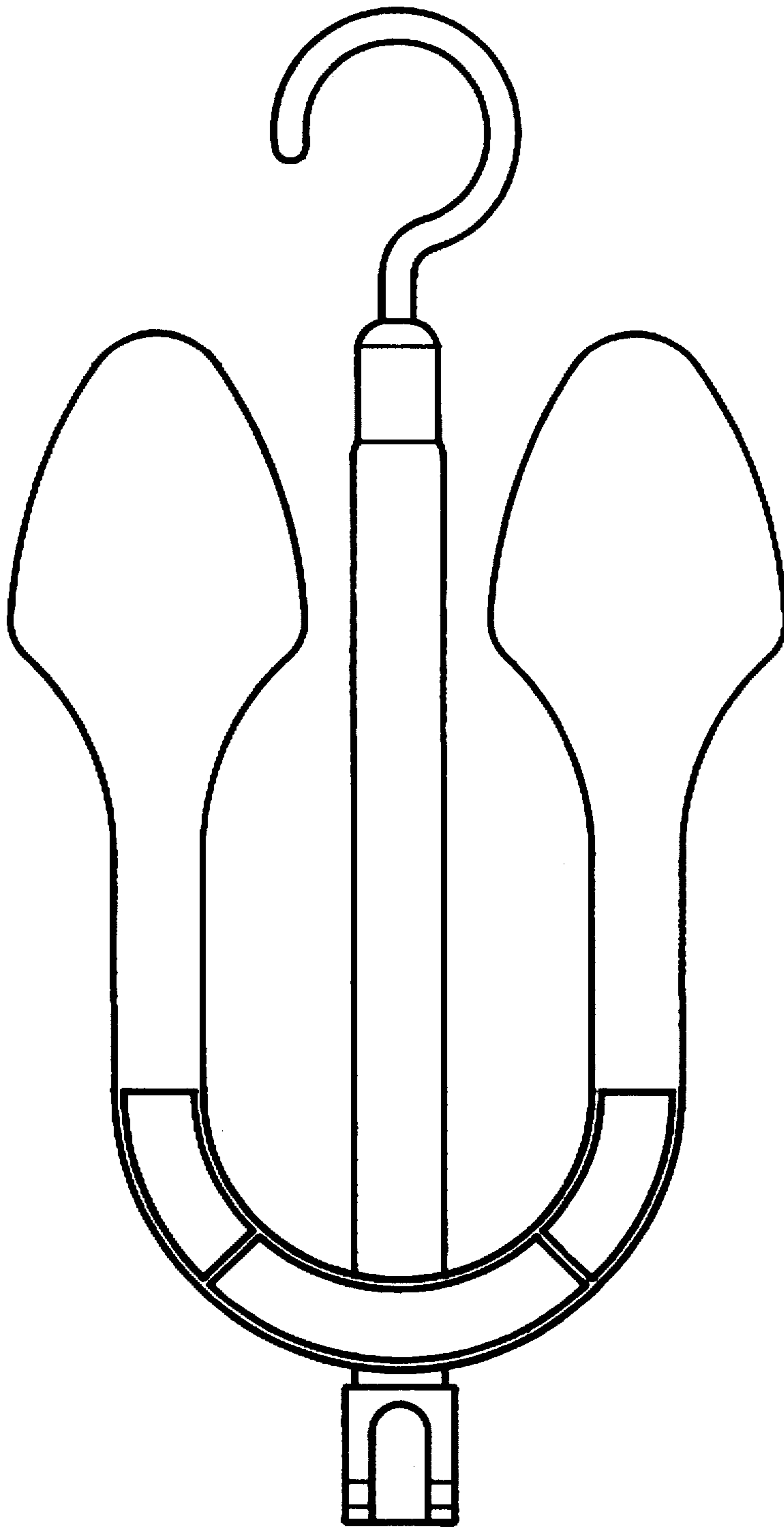


Fig 4

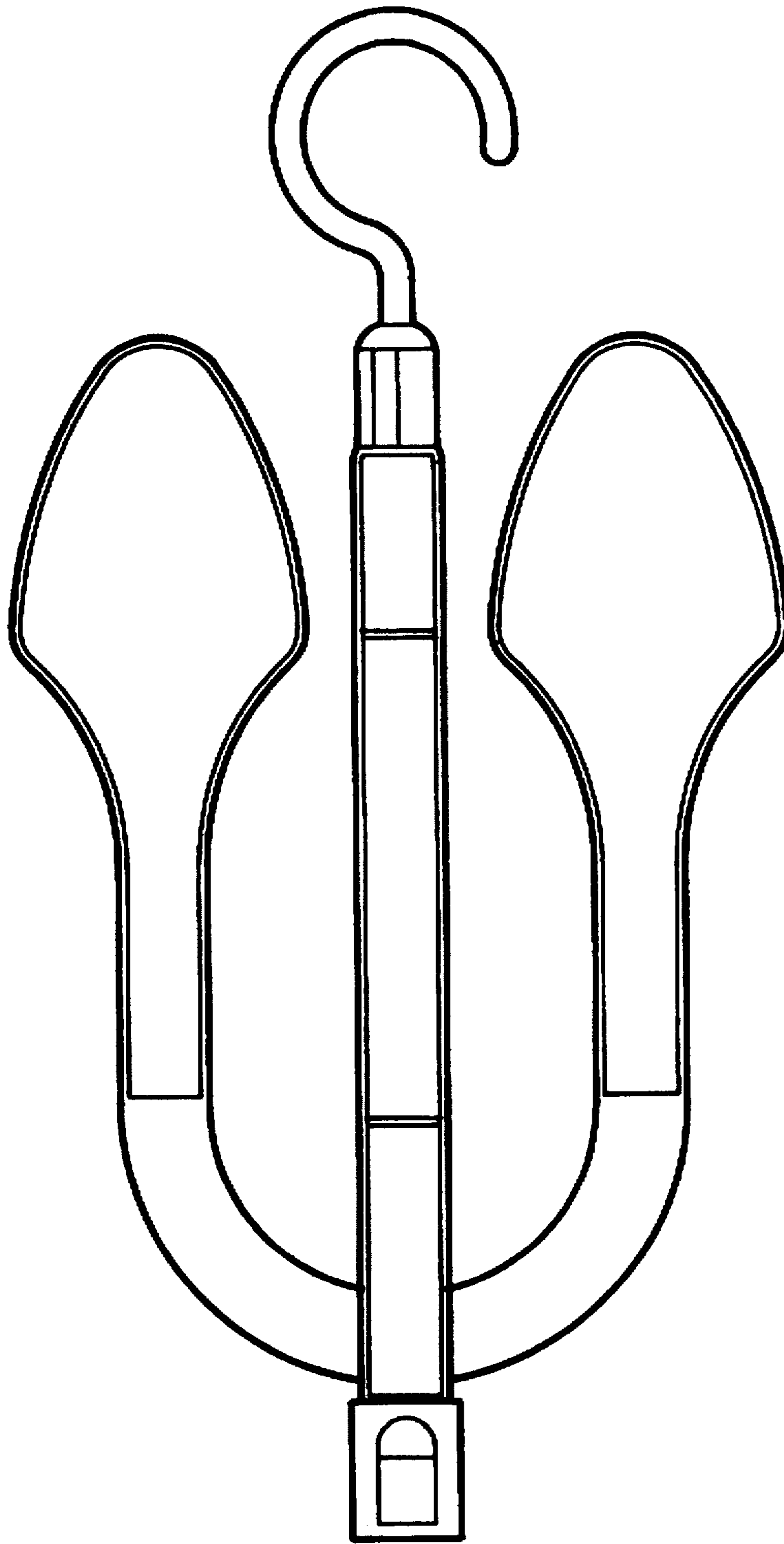


Fig 5

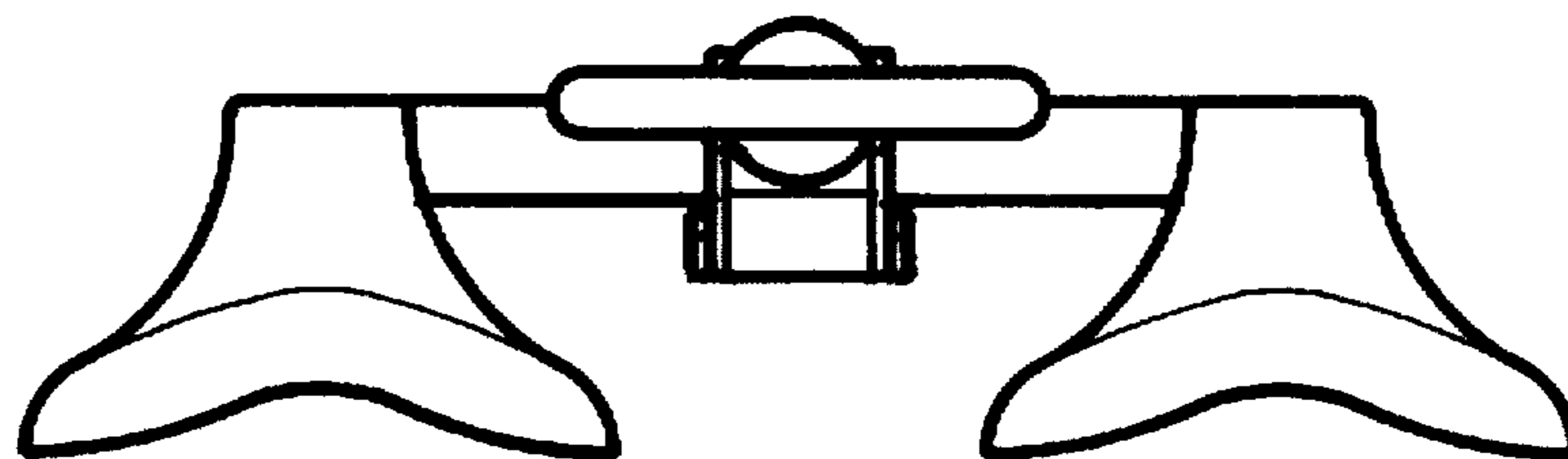


Fig 6

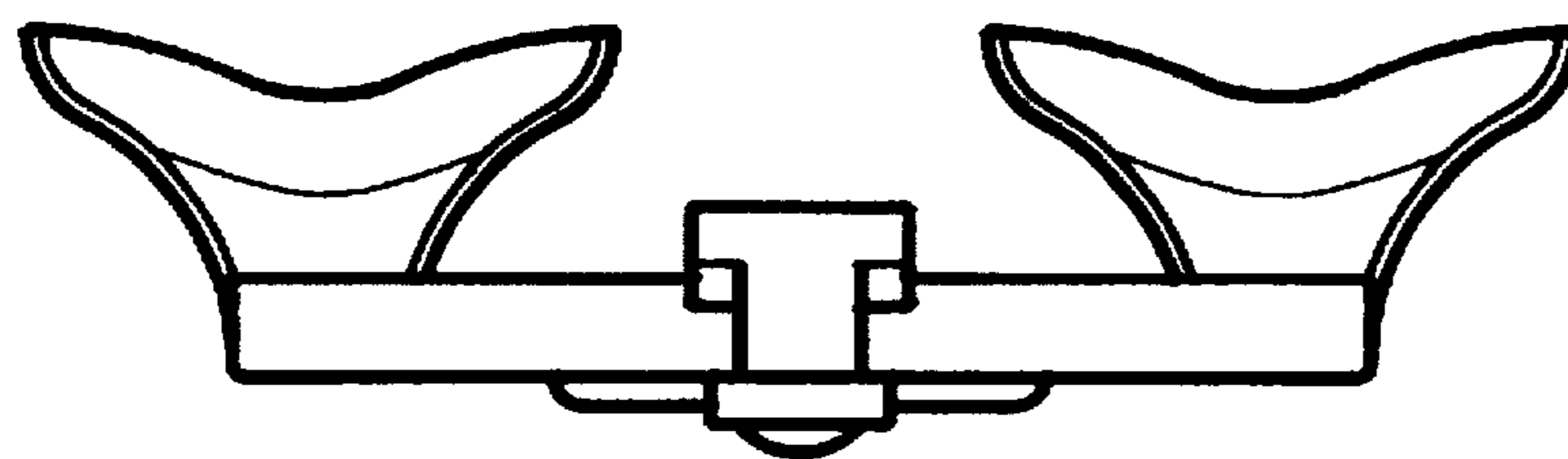


Fig 7