



US00D393747S

United States Patent [19]
Salvucci, Sr.

[11] **Patent Number: Des. 393,747**
[45] **Date of Patent: **Apr. 28, 1998**

[54] **CYLINDER STAND STRAP**
[75] **Inventor: Frank S. Salvucci, Sr., 2300 Haggin Oaks Blvd., Bakersfield, Calif. 93311**
[73] **Assignee: Frank S. Salvucci, Sr., Delano, Calif.**
[**] **Term: 14 Years**

4,023,761 5/1977 Molis 248/154
4,294,481 10/1981 Pearl 248/154
4,486,044 12/1984 Gordon et al. 248/154
4,555,083 11/1985 Carter 248/154

Primary Examiner—B. J. Bullock
Attorney, Agent, or Firm—A. M. Fernandez

[21] **Appl. No.: 63,356**
[22] **Filed: Dec. 6, 1996**

[57] **CLAIM**
The ornamental design for a cylinder stand strap, as shown and described.

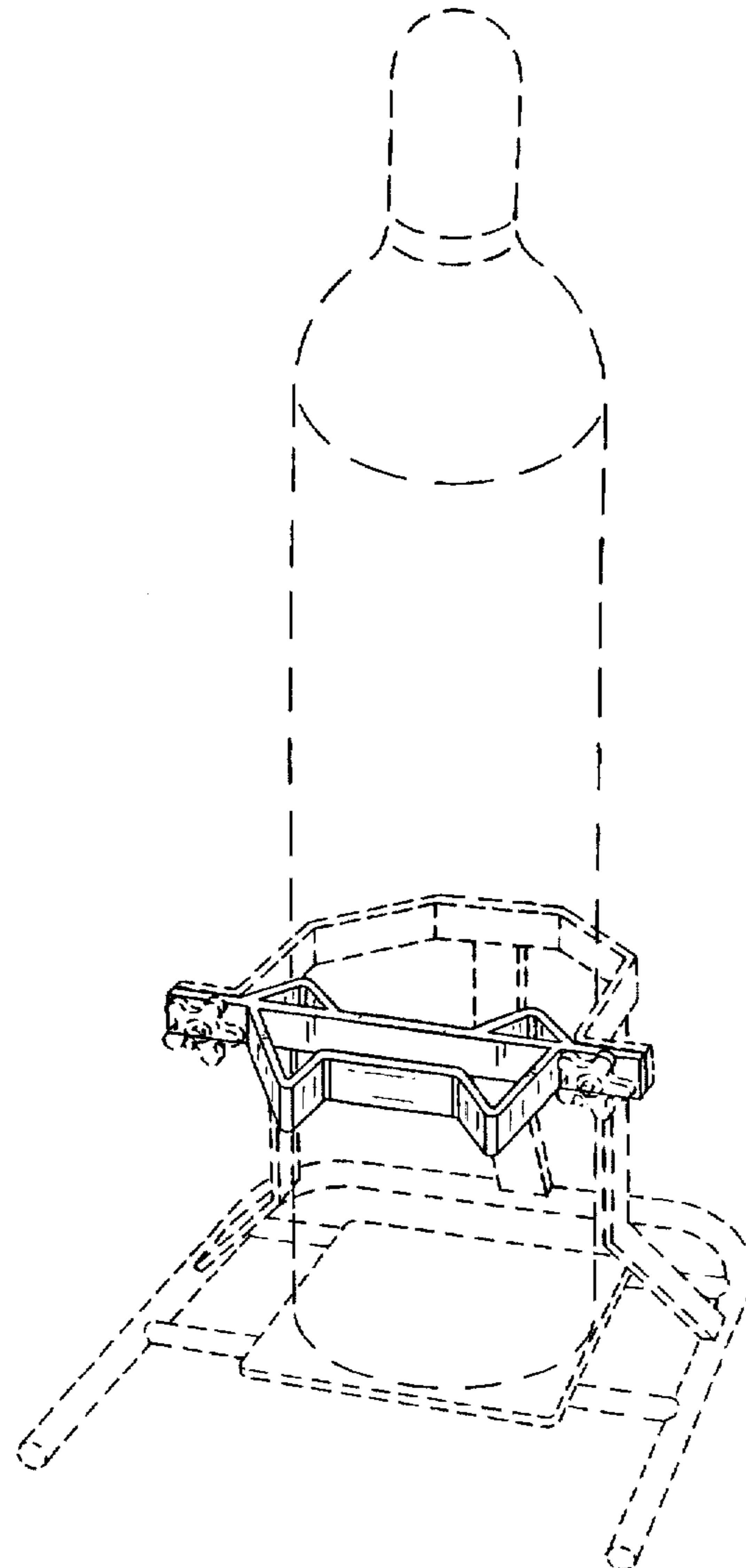
[51] **LOC (6) CL 03-01**
[52] **U.S. Cl. D3/323; D3/316**
[58] **Field of Search D3/316, 318, 328, D3/201, 323; D8/394, 396; 248/154, 682, 689; D23/203**

DESCRIPTION

FIG. 1 is a perspective view of my new design for a cylinder stand strap, a cylinder and the rest of the stand being shown in broken lines for illustrative purposes only which form no part of the claimed design;
FIG. 2 is an enlarged plan view thereof;
FIG. 3 is a rear elevation view thereof; and,
FIG. 4 is a front elevation view thereof.

[56] **References Cited**
U.S. PATENT DOCUMENTS
D. 307,494 4/1990 Goodnight D8/395
1,828,249 10/1931 Hammond 248/154

1 Claim, 2 Drawing Sheets



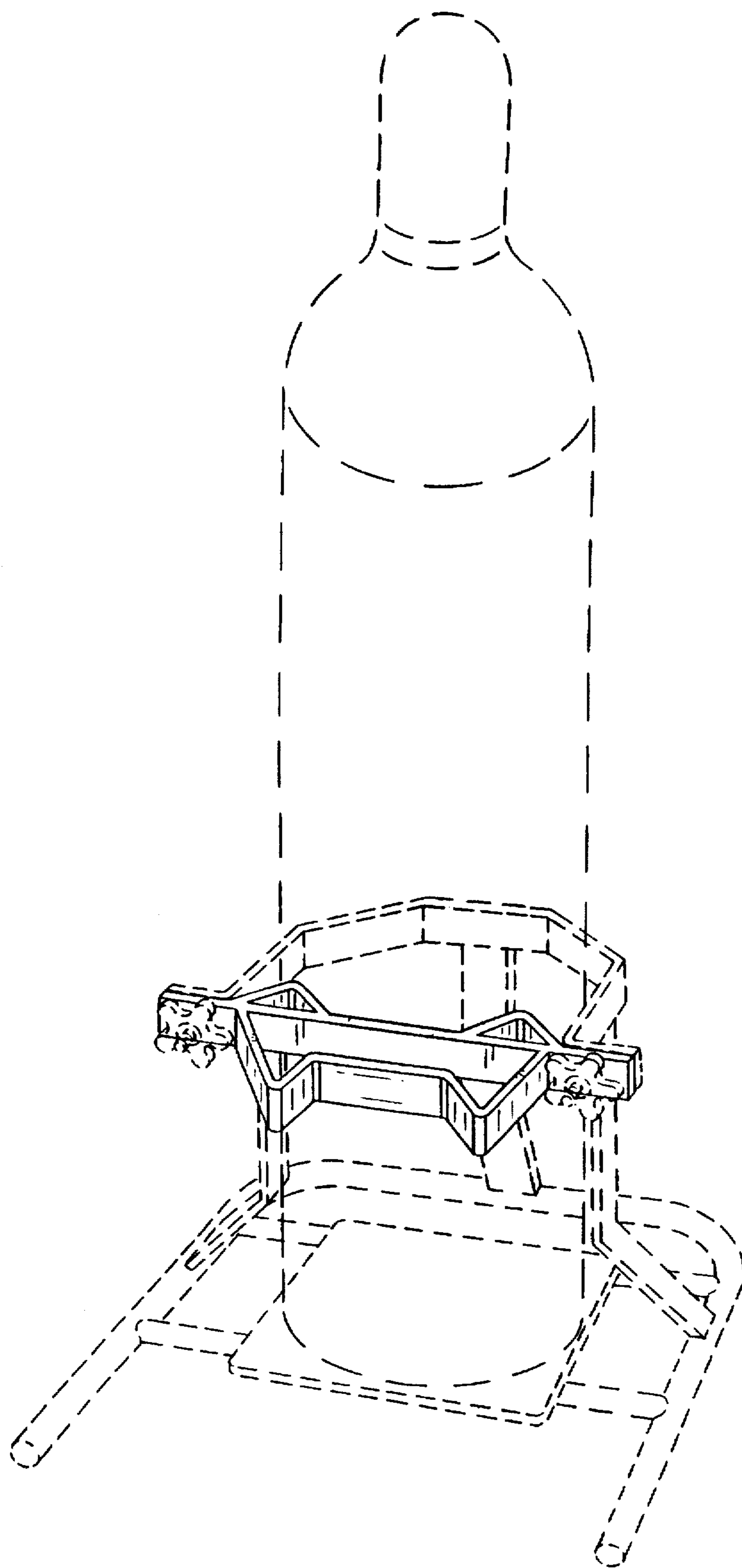


FIG. 1

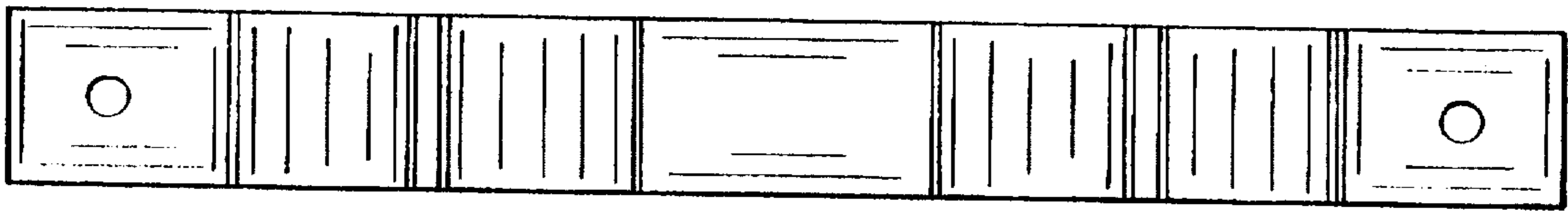


FIG. 3

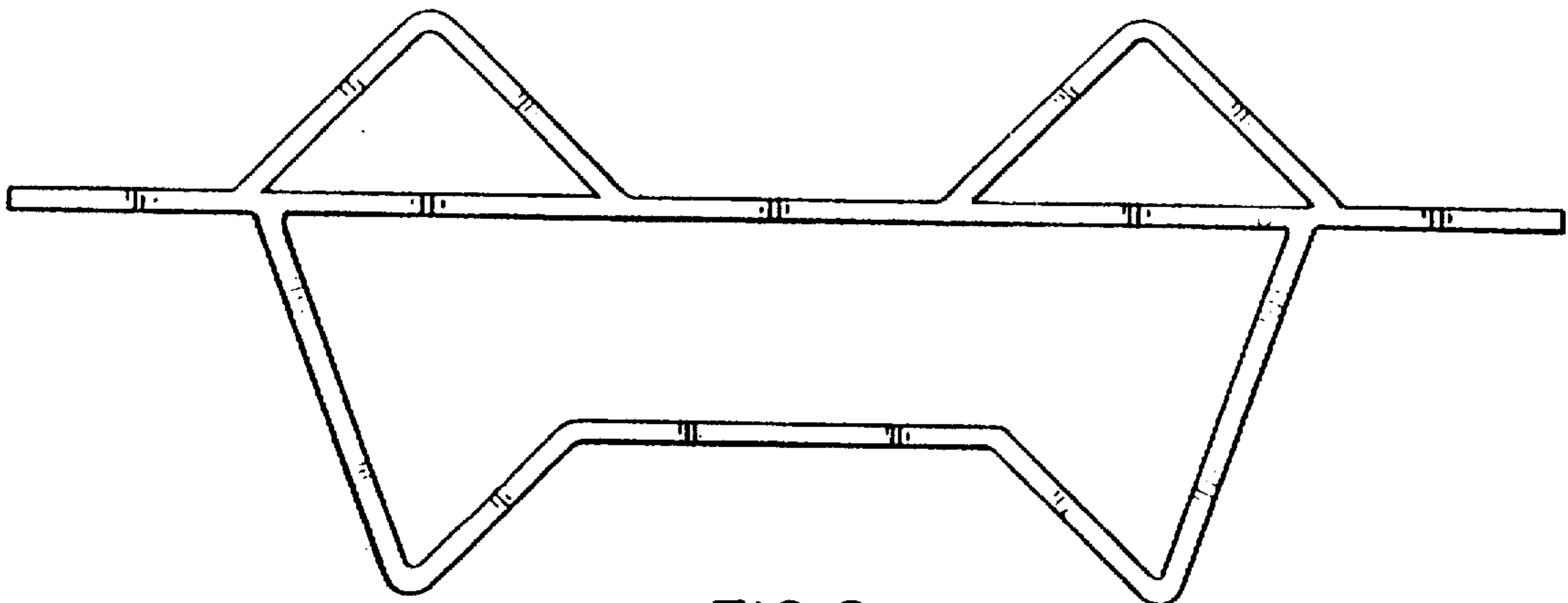


FIG. 2

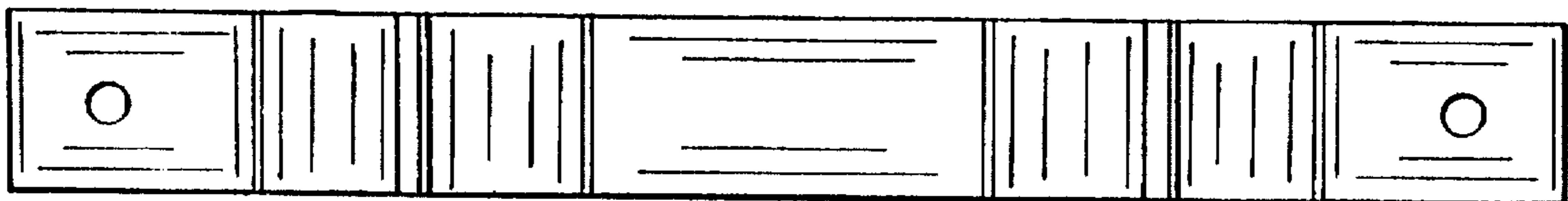


FIG. 4