



US00D393746S

# United States Patent [19]

Wang

[11] Patent Number: Des. 393,746

[45] Date of Patent: \*\*Apr. 28, 1998

[54] HANDLE AND MOUNTING FRAME FOR BAGGAGE

5,203,449 4/1993 Bonardi ..... 190/118  
5,624,012 4/1997 Wane ..... 190/115

[76] Inventor: King-Sheng Wang, No. 569,  
Ching-Kuo Rd., Ta-Chia Chen,  
Taichung Hsien, Taiwan

Primary Examiner—Prabhakar G. Deshmukh  
Attorney, Agent, or Firm—Bacon & Thomas

[\*\*] Term: 14 Years

### [57] CLAIM

The ornamental design for handle and mounting frame for baggage, as shown and described.

[21] Appl. No.: 64,548

### DESCRIPTION

[22] Filed: Jan. 6, 1997

[51] LOC (6) Cl. .... 03-99

[52] U.S. Cl. .... D3/318; D3/323

[58] Field of Search ..... D3/323, 318, 324;  
190/115-118, 121, 122, 123; D8/349, 373

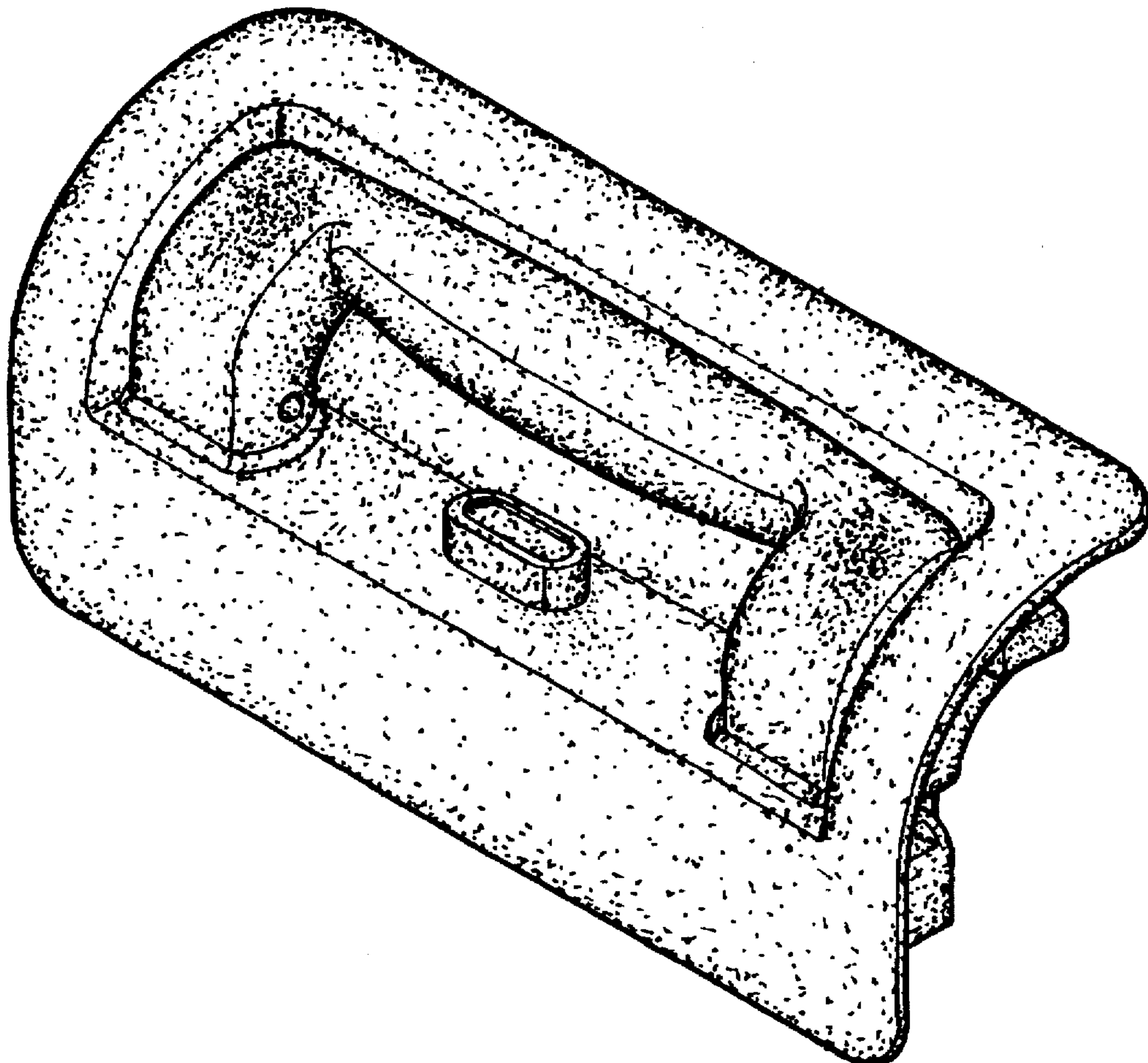
FIG. 1 is a perspective view of a handle and mounting frame for baggage showing my new design thereof;  
FIG. 2 is a front elevational view thereof;  
FIG. 3 is a rear elevational view thereof;  
FIG. 4 is a left side elevational view and the right side elevational view being the mirror image thereof;  
FIG. 5 is a top plan view thereof;  
FIG. 6 is a bottom plan view thereof;  
FIG. 7 is an exploded perspective view thereof; and,  
FIG. 8 is a reduced scale perspective view thereof; the broken line showing of a bag is for illustrative purpose only and forms no part of the claim.

### [56] References Cited

#### U.S. PATENT DOCUMENTS

D. 198,424	6/1964	Humphries	.....	D3/323	X
D. 258,552	3/1981	Stolarz	.....	D3/323	
D. 277,620	2/1985	Parrochia	.....	D3/323	X
D. 373,902	9/1996	Wang	.....	D3/318	
720,803	2/1903	Herrmann	.....	190/117	
5,115,894	5/1992	Kuo	.....	190/117	

1 Claim, 5 Drawing Sheets



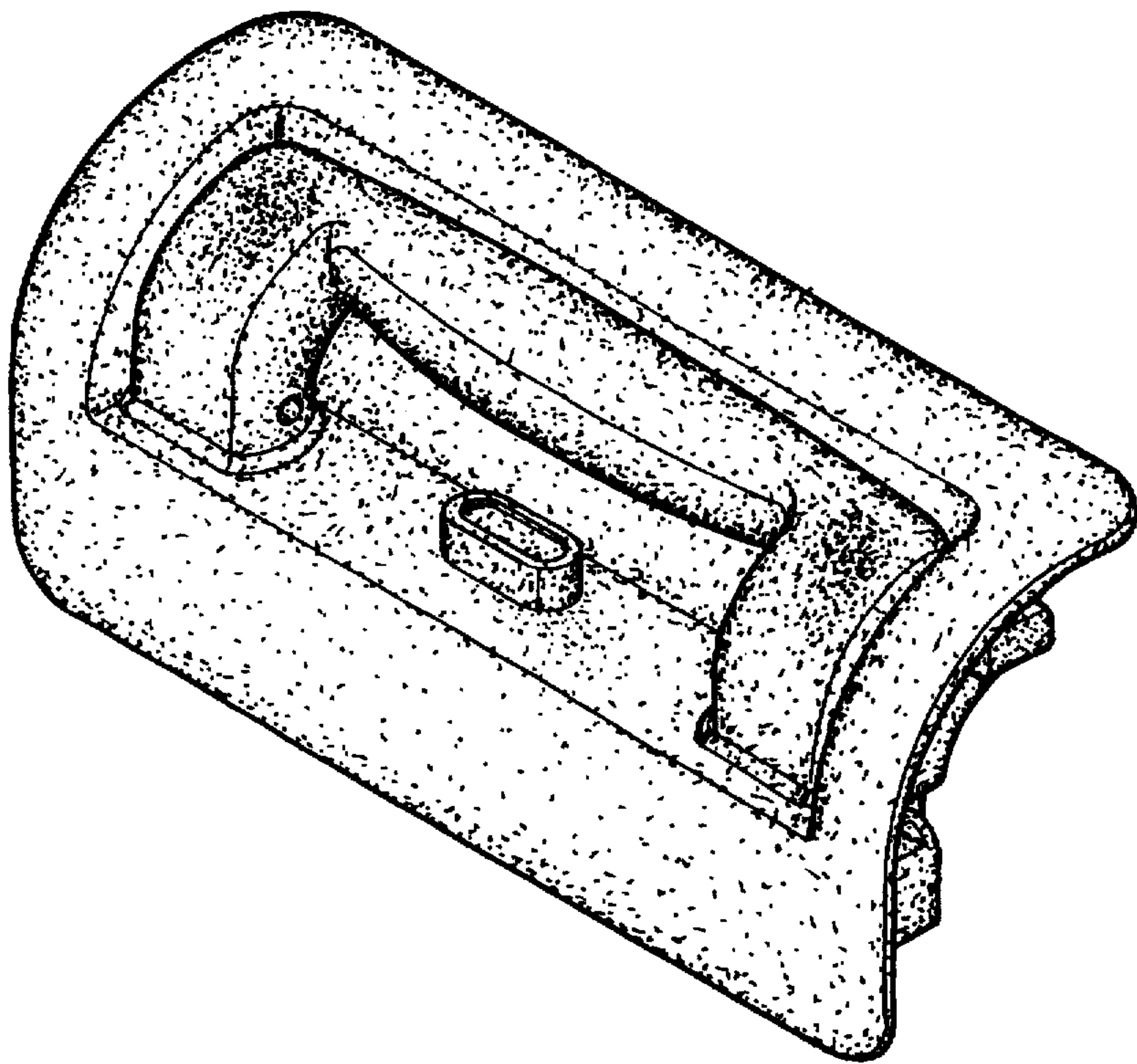


Fig. 1

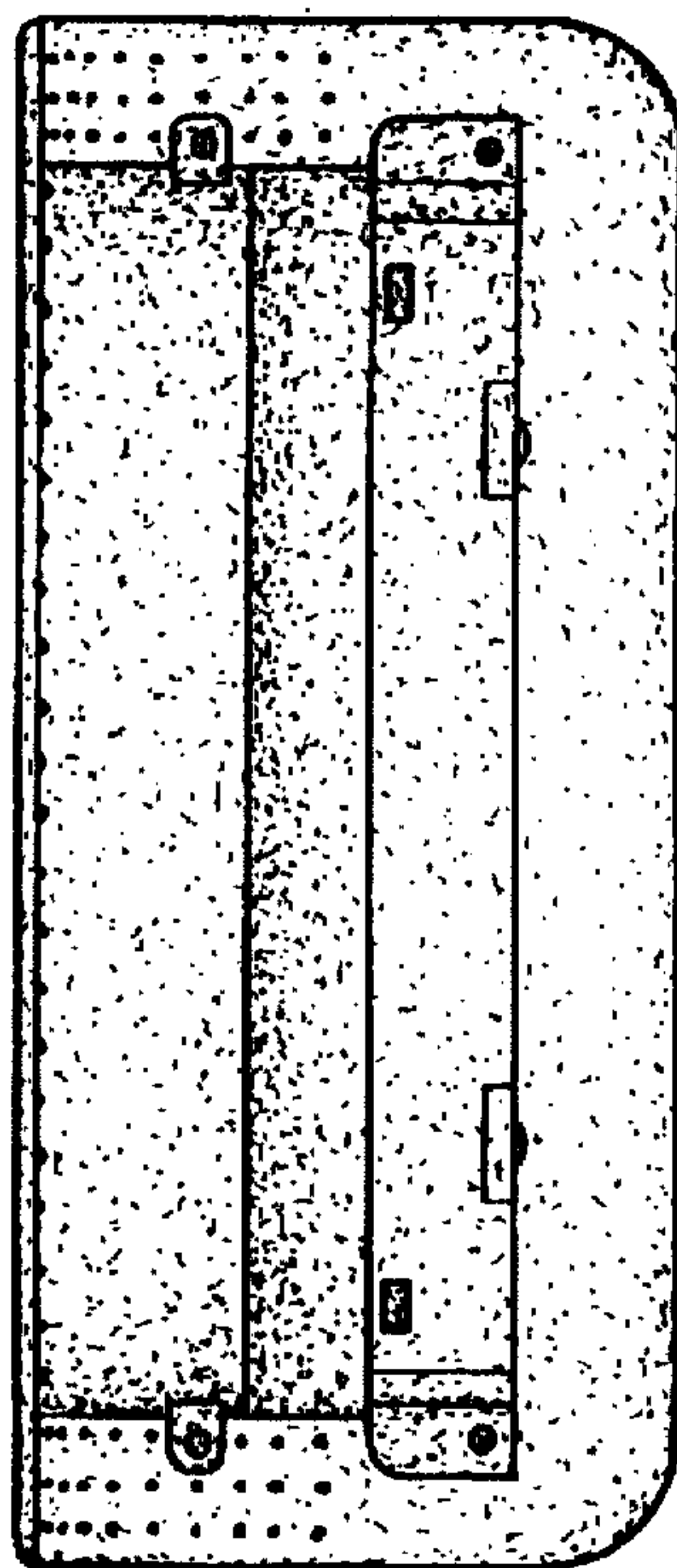


Fig. 3

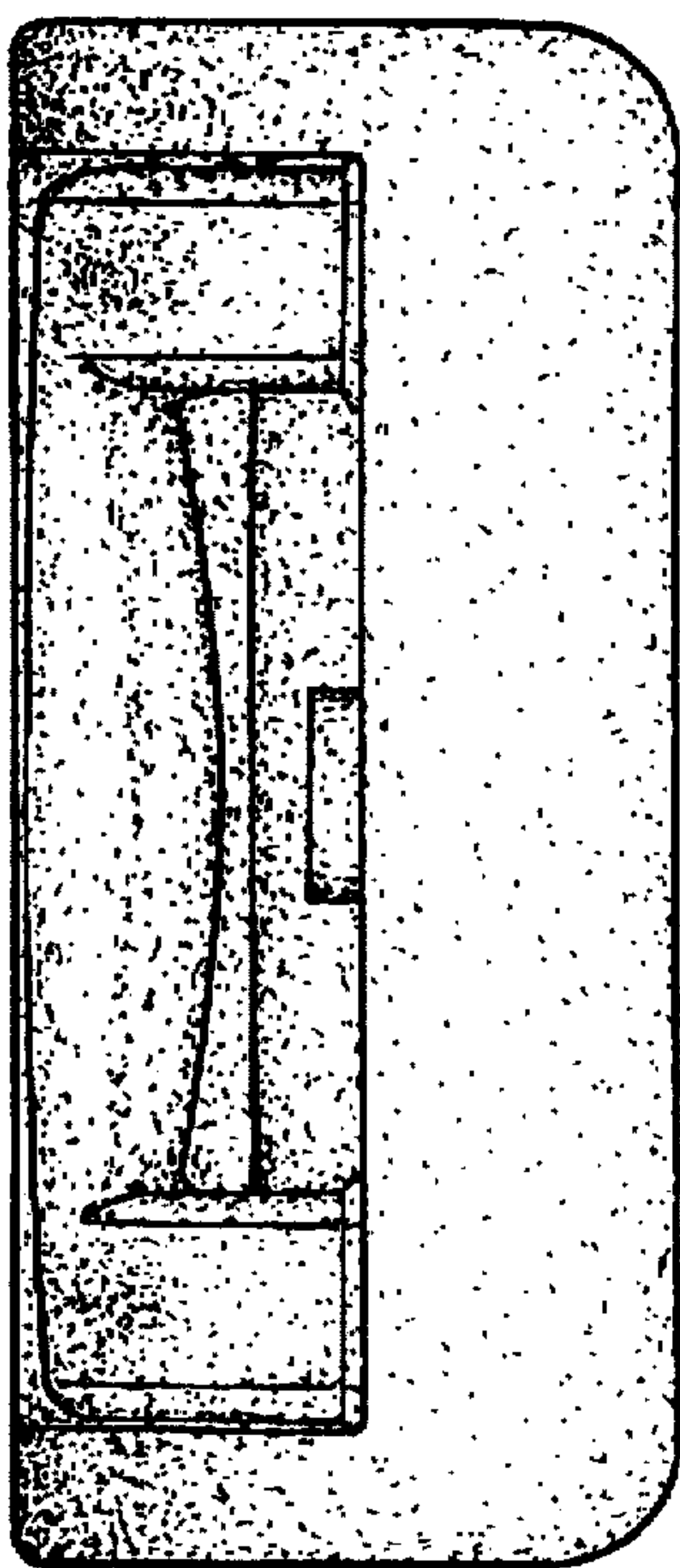


Fig. 2



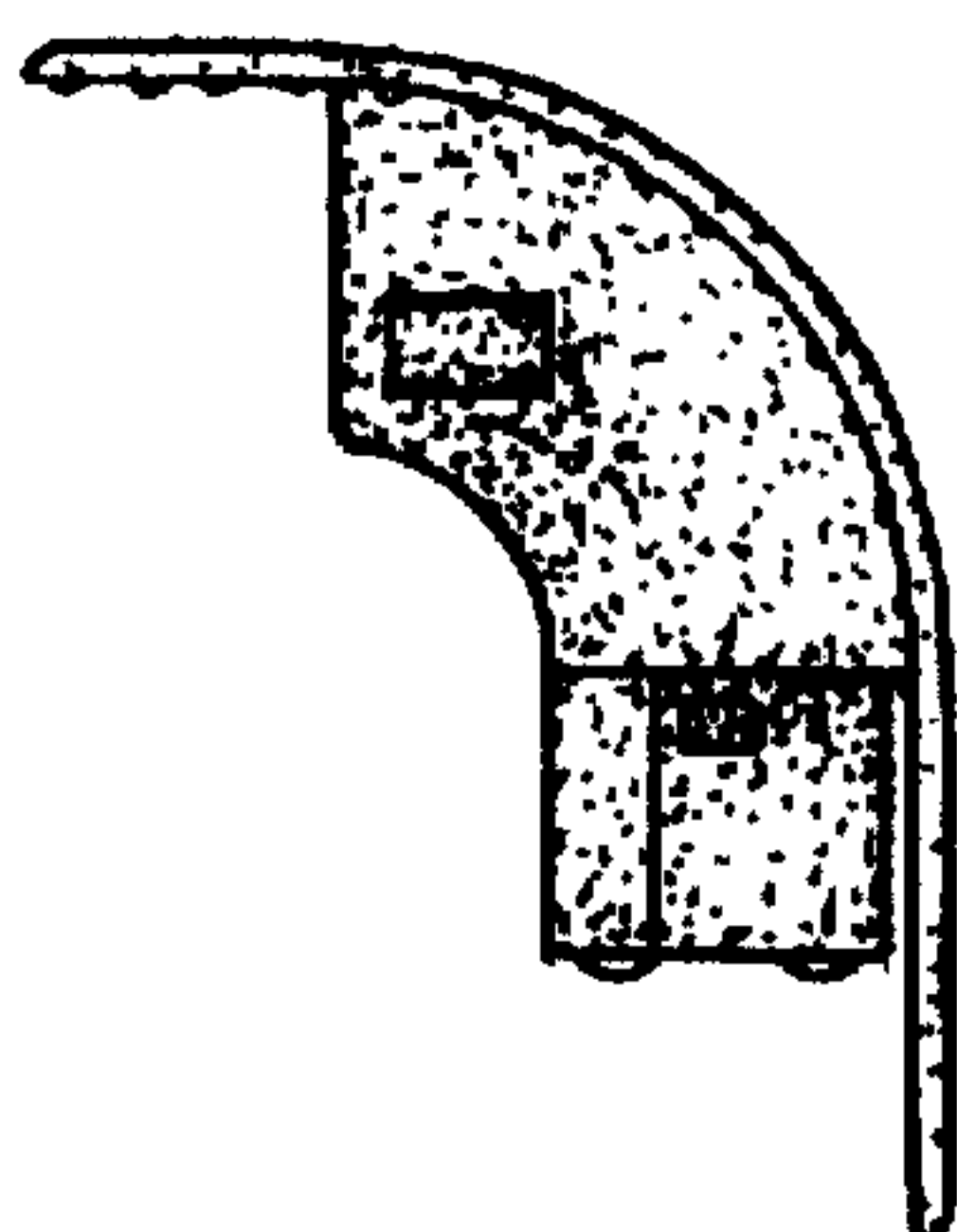


Fig. 4

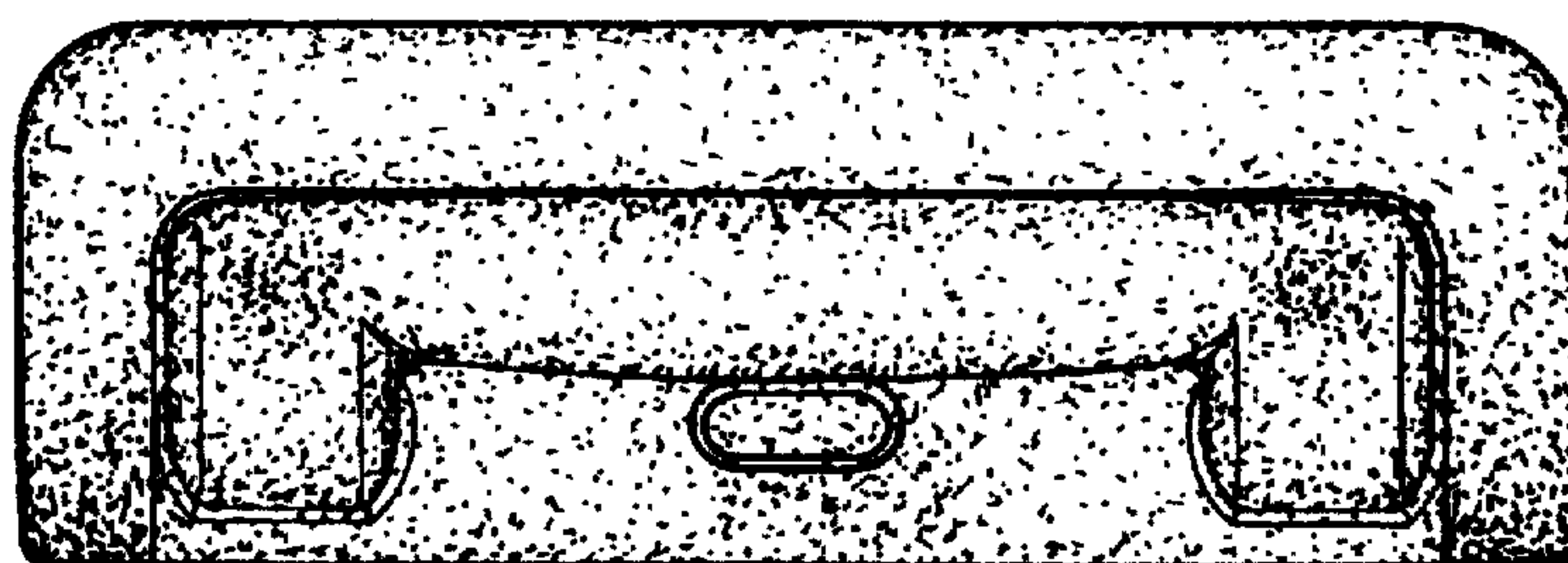


Fig. 5

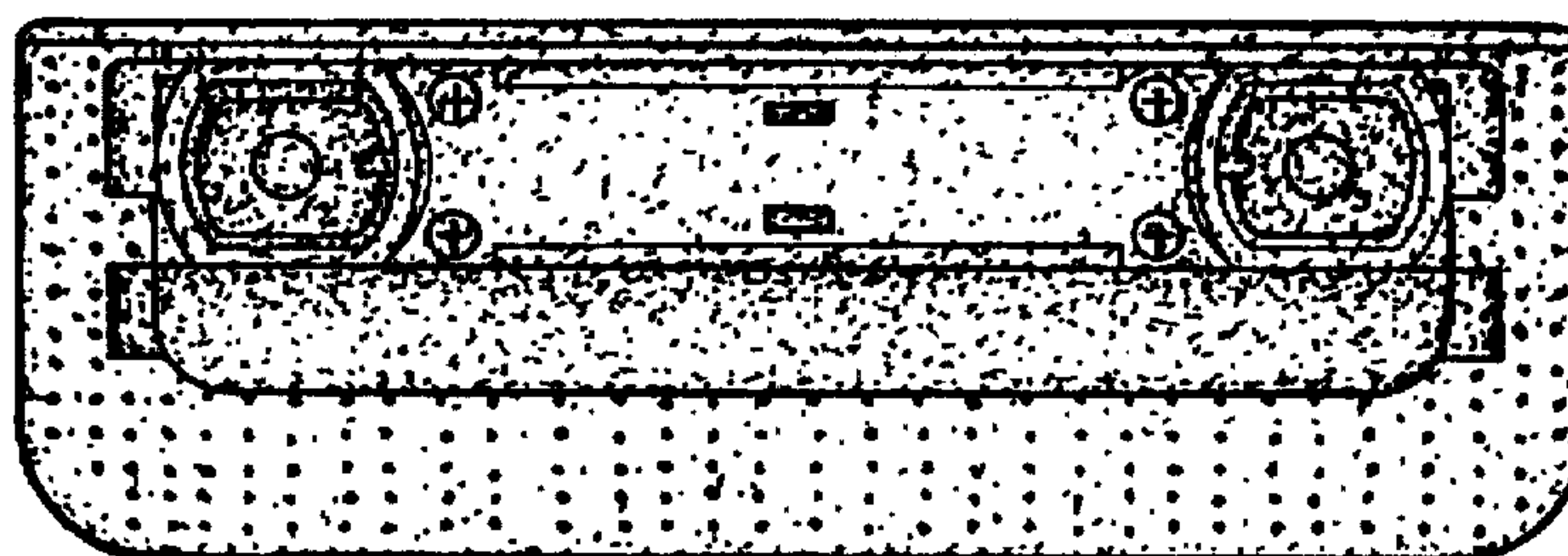


Fig. 6

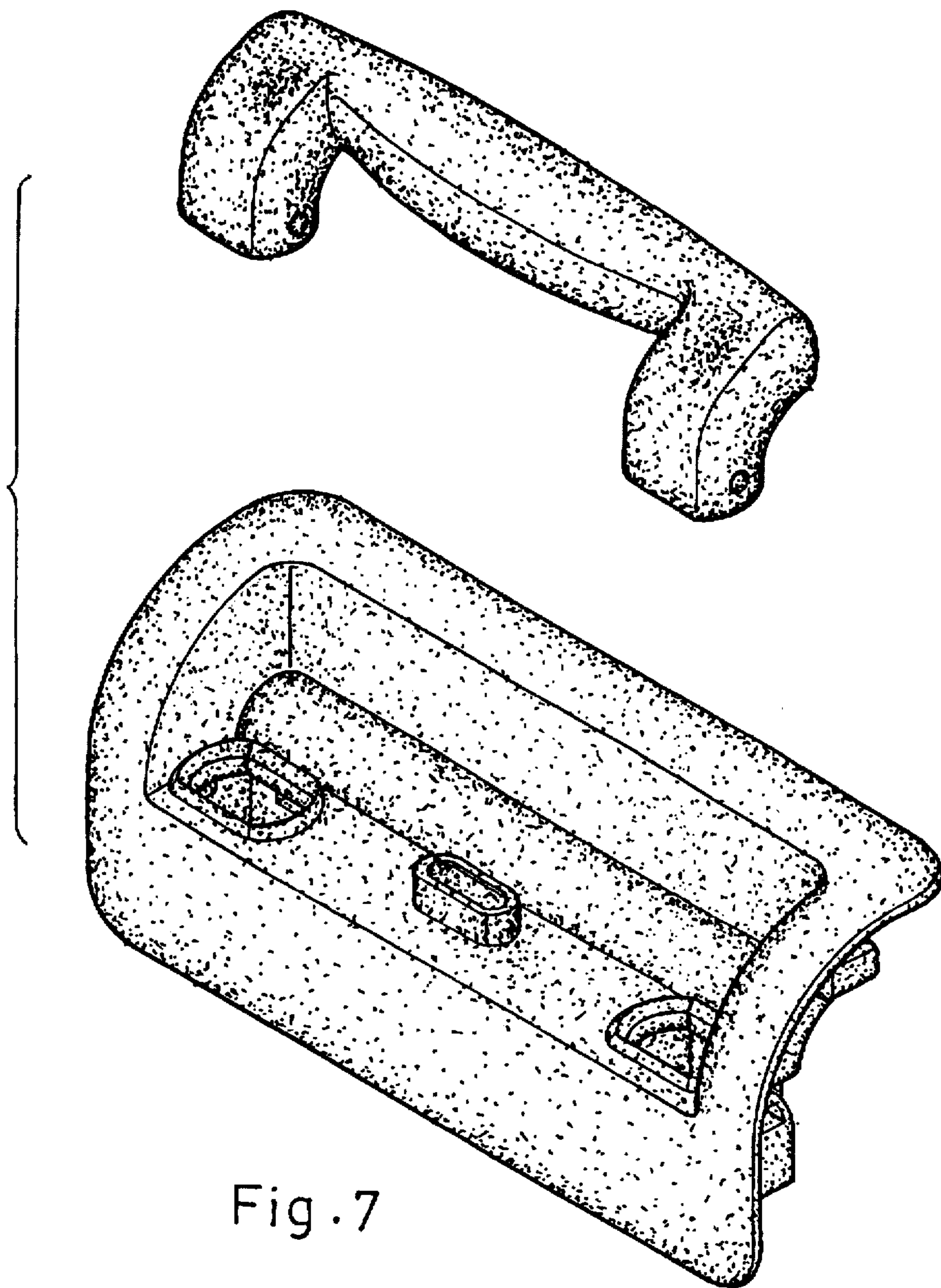


Fig. 7

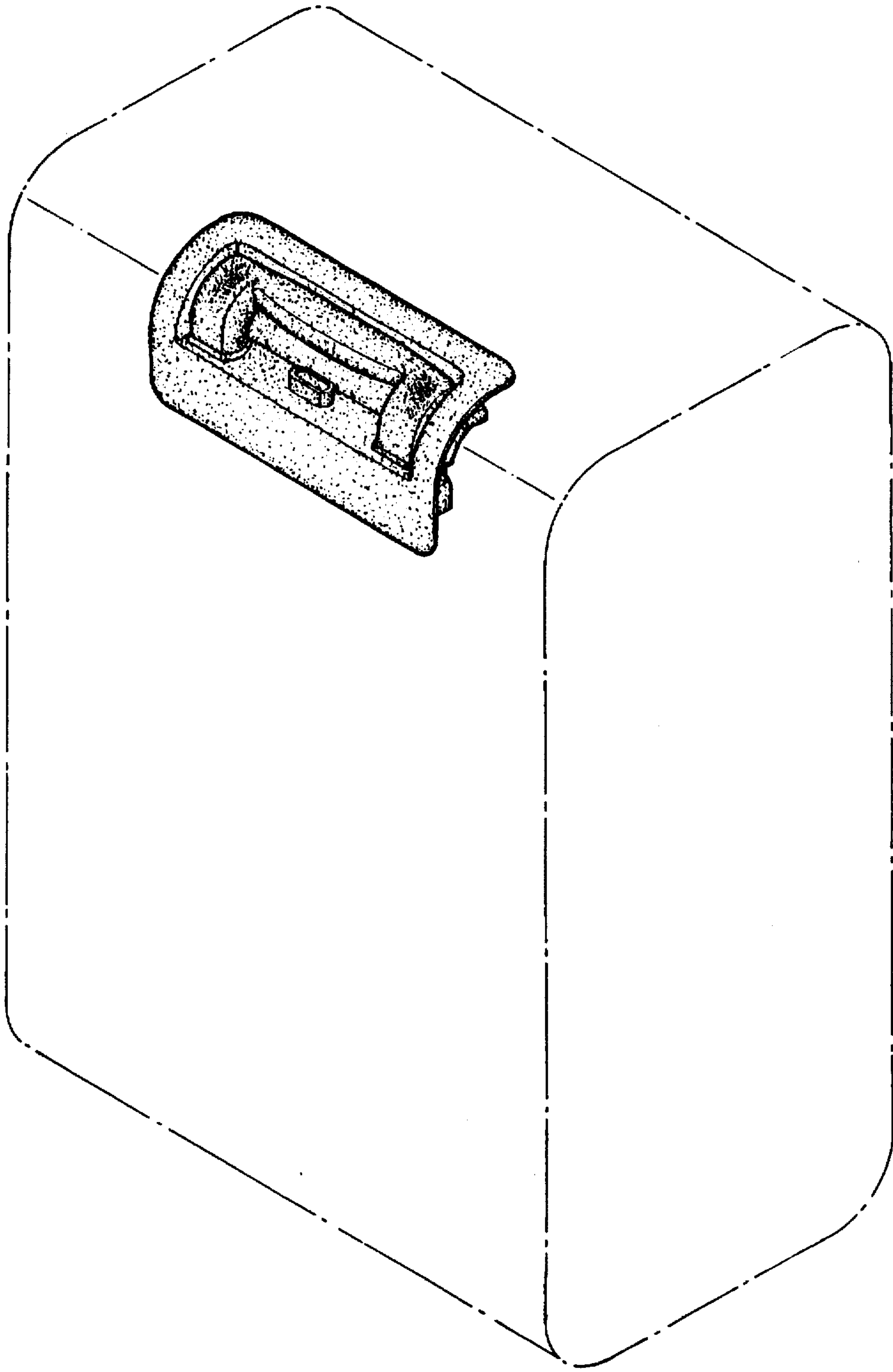


Fig .8