



US00D393739S

United States Patent [19]

Dudson et al.

[11] Patent Number: **Des. 393,739**

[45] Date of Patent: ****Apr. 28, 1998**

[54] **INTERCHANGEABLE HAT**

1,915,092 6/1933 Hendrickson 2/209.11

[76] Inventors: **Steven R. Dudson; Roy W. Dudson,**
both of P.O. Box 1240, Hamilton, North
Island, New Zealand

Primary Examiner—Paula A. Mortimer

[**] Term: **14 Years**

[57] **CLAIM**

The ornamental design for an interchangeable hat, as shown
and described.

[21] Appl. No.: **67,123**

DESCRIPTION

[22] Filed: **Feb. 26, 1997**

FIG. 1 is a front elevational view of an interchangeable hat
showing our new design;

[51] LOC (6) Cl. **02-03**

FIG. 2 is a rear elevational view thereof;

[52] U.S. Cl. **D2/889; D2/865**

FIG. 3 is a bottom end view thereof;

[58] Field of Search D2/865, 866, 867,

FIG. 4 is a top end view thereof;

D2/868, 869, 881, 889, 500; 2/171, 181,

FIG. 5 is a left side view thereof;

195.1, 195.8, 209.11, 209.13

FIG. 6 is a right side view thereof;

[56] **References Cited**

FIG. 7 is a front view thereof showing one flap folded over;
and,

U.S. PATENT DOCUMENTS

FIG. 8 is a perspective view thereof showing the hat in use.

D. 127,094 5/1941 Katzman D2/500

The broken line showing of the human form in FIG. 8 is a

D. 151,011 9/1948 Schuessler D2/869

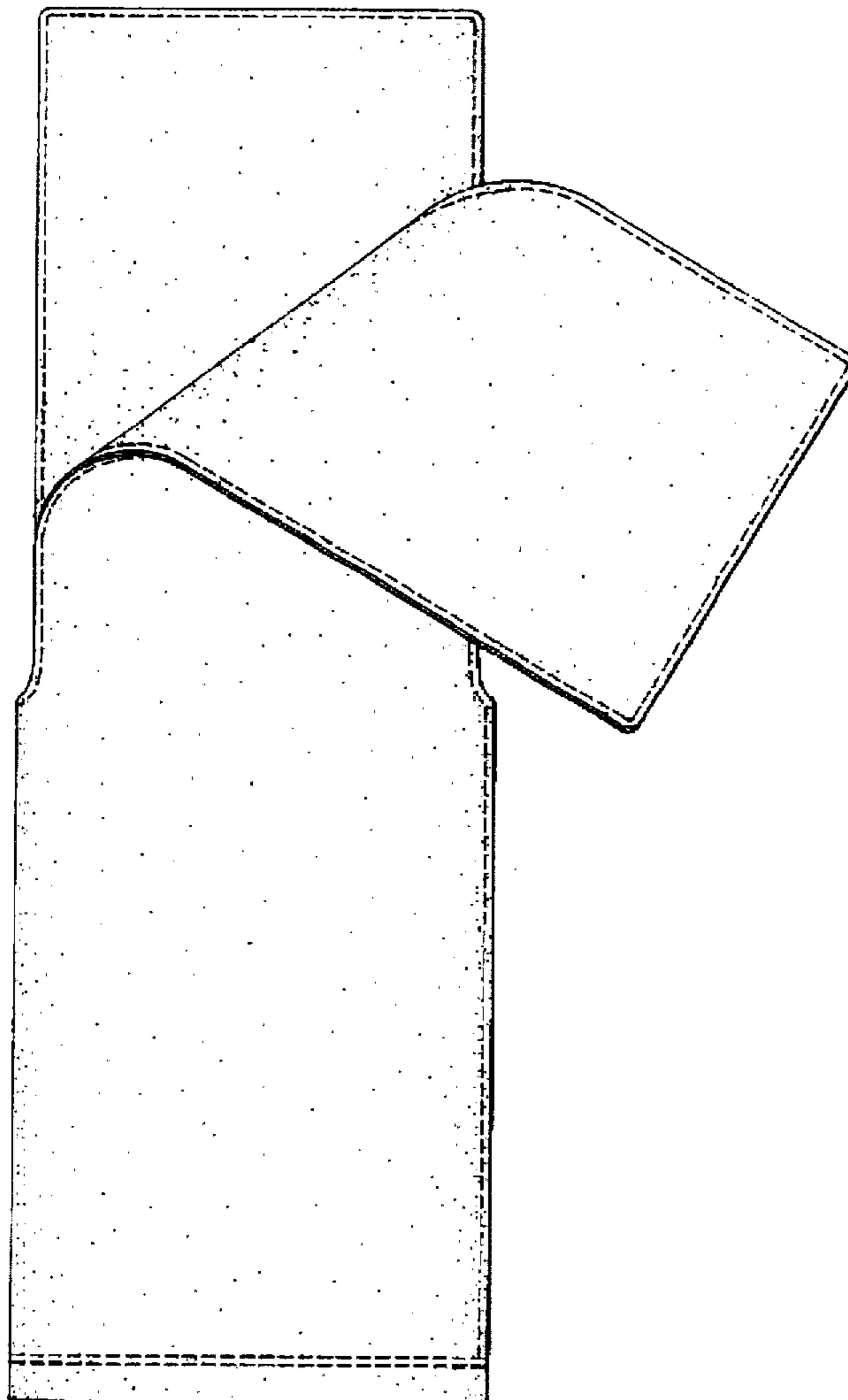
for illustrative purposes only and forms no part of the

D. 277,139 1/1985 DeFalco D2/880

claimed design.

D. 351,272 10/1994 Hyer D2/889 X

1 Claim, 4 Drawing Sheets



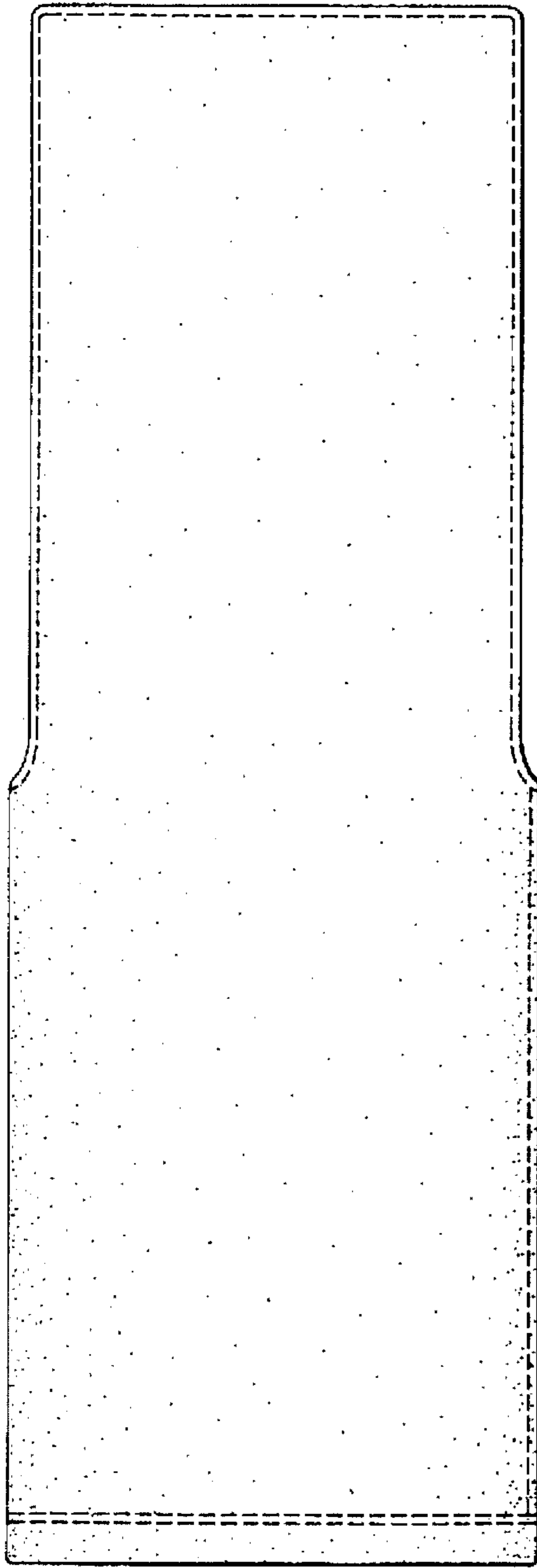


FIG. 1

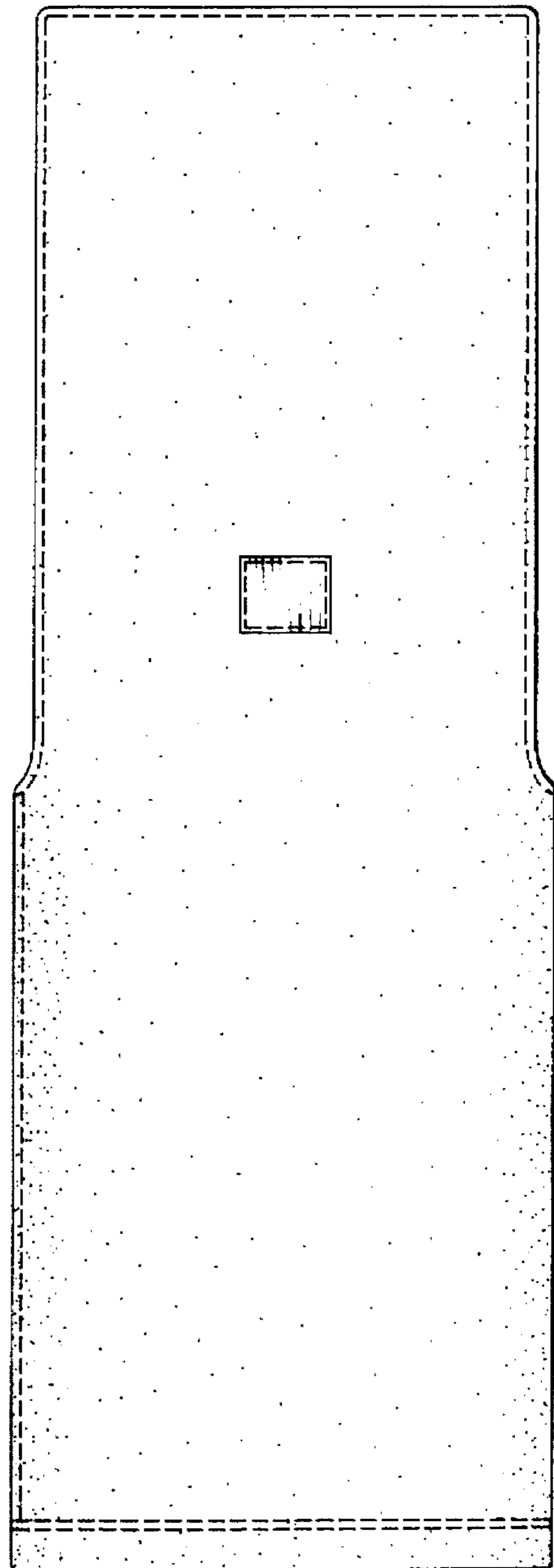


FIG. 2

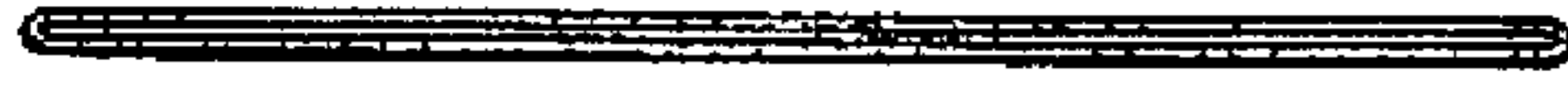


FIG. 3



FIG. 4



FIG. 5



FIG. 6

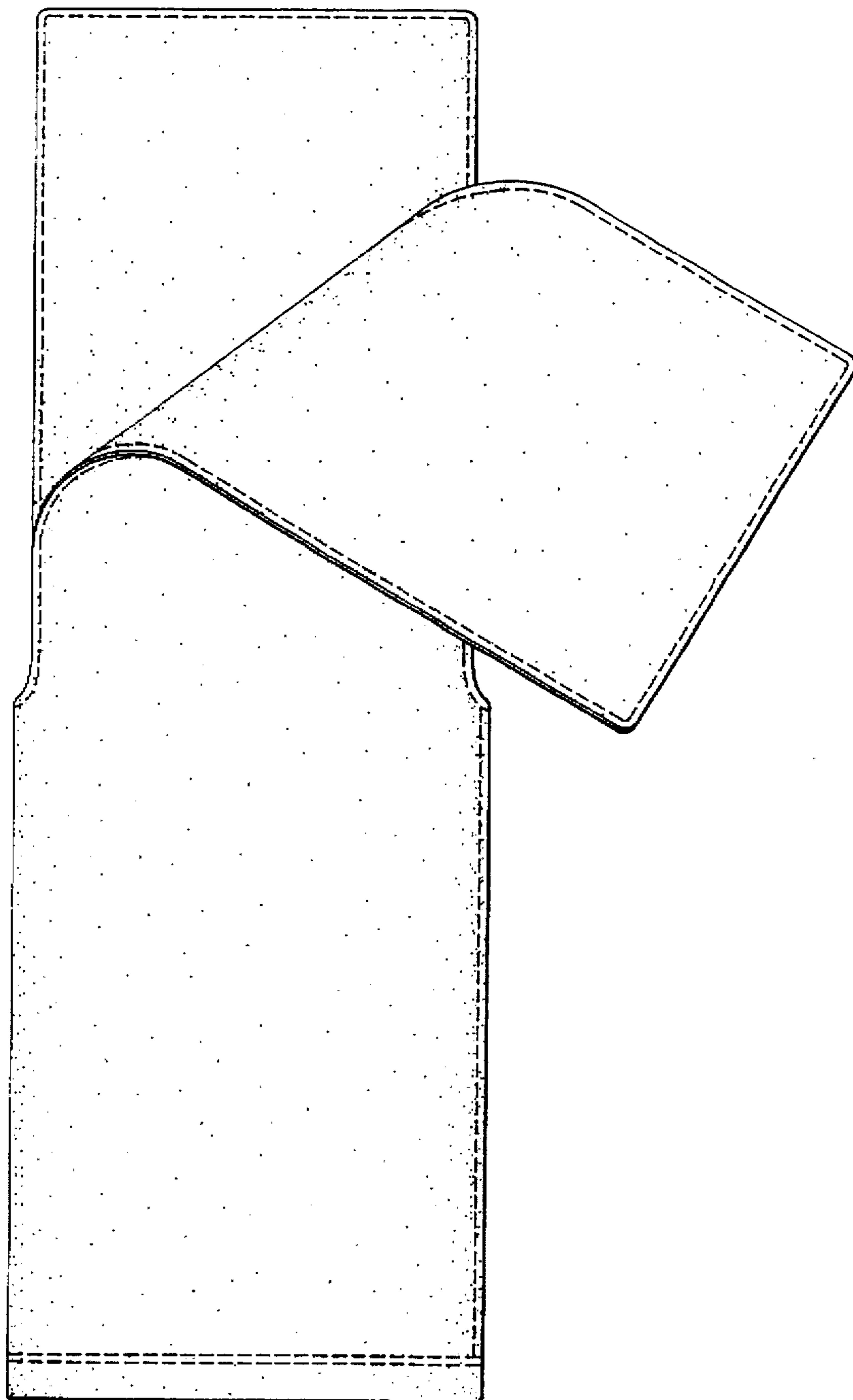


FIG. 7

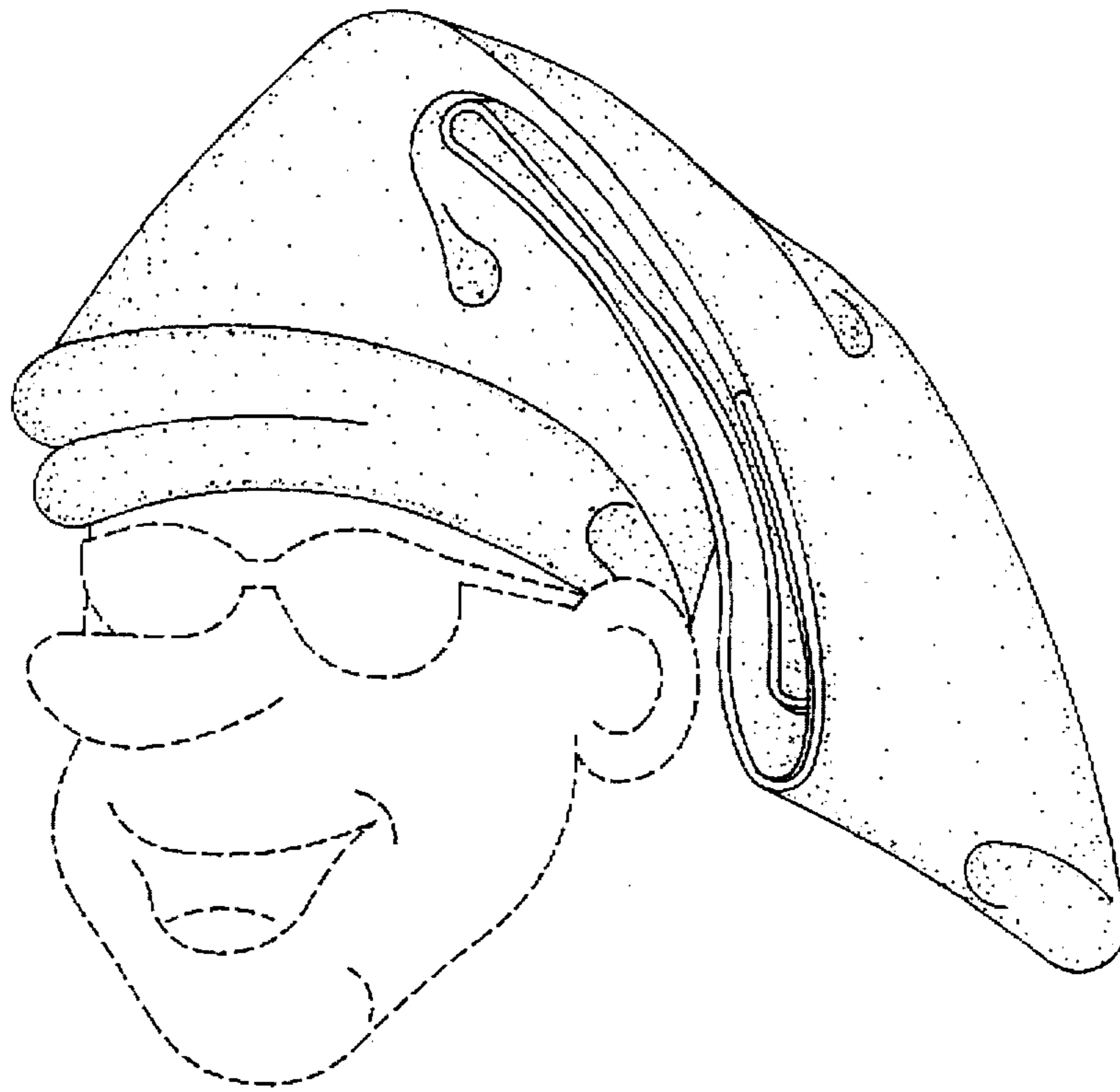


FIG. 8