

US00D393738S

**United States Patent** [19]  
**Eng**

[11] **Patent Number: Des. 393,738**

[45] **Date of Patent: \*\*Apr. 28, 1998**

[54] **CAP WITH HEADSCARF**

[76] **Inventor: Rom Doul Eng, 14 rue Mario Capra, 94400, Vitry sur Seine, France**

[\*\*] **Term: 14 Years**

[21] **Appl. No.: 59,772**

[22] **Filed: Sep. 16, 1996**

[30] **Foreign Application Priority Data**

Mar. 15, 1996 [FR] France ..... 96 1602

[51] **LOC (6) Cl. .... 02-03**

[52] **U.S. Cl. .... D2/865**

[58] **Field of Search ..... D2/865, 866, 867, D2/870, 872, 876, 877, 879, 880, 881, 882, 500, 501; 2/171, 174, 181, 195.1, 195.8, 200.1, 200.3, 207**

[56] **References Cited**

**U.S. PATENT DOCUMENTS**

D. 359,384 6/1995 Dlugokeski ..... D2/865 X

D. 360,746	8/1995	Bowser .....	D2/865
1,019,019	3/1912	Bruder .....	2/195.7 X
1,082,648	12/1913	Rawak .....	2/195.7 X
1,146,829	7/1915	Winget .....	2/195.7
1,525,386	2/1925	Hiebl et al. ....	2/200.1
1,948,556	2/1934	Armsby .....	2/174
4,453,276	6/1984	Smith et al. ....	2/200.3

*Primary Examiner*—Paula A. Mortimer

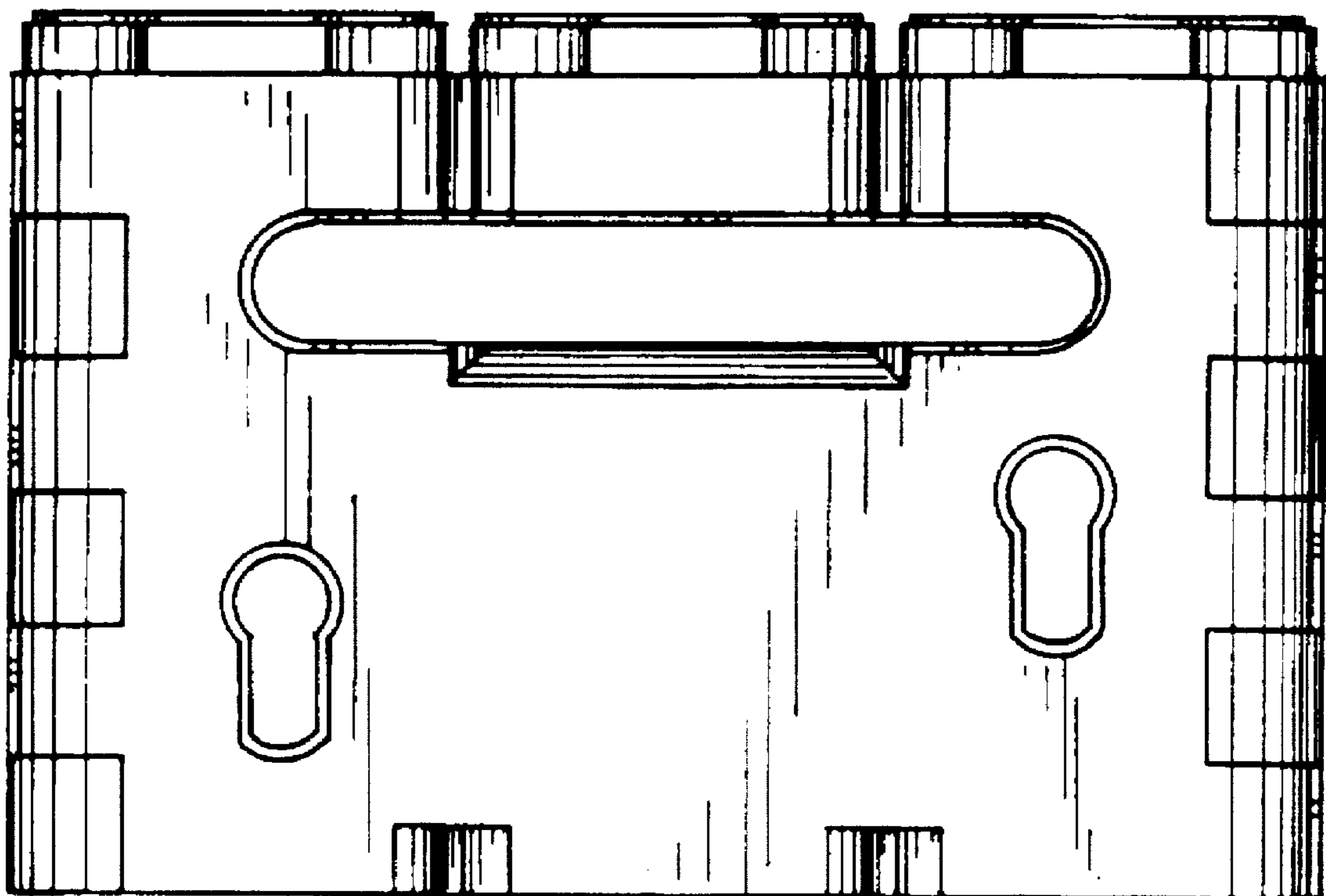
[57] **CLAIM**

The ornamental design for a cap with headscarf, as shown and described.

**DESCRIPTION**

FIG. 1 is a top plan view of my new design;  
FIG. 2 is a front elevational view thereof;  
FIG. 3 is a right side view thereof, the left side being a mirror image;  
FIG. 4 is a rear elevational view thereof; and,  
FIG. 5 is bottom plan view thereof.

**1 Claim, 1 Drawing Sheet**



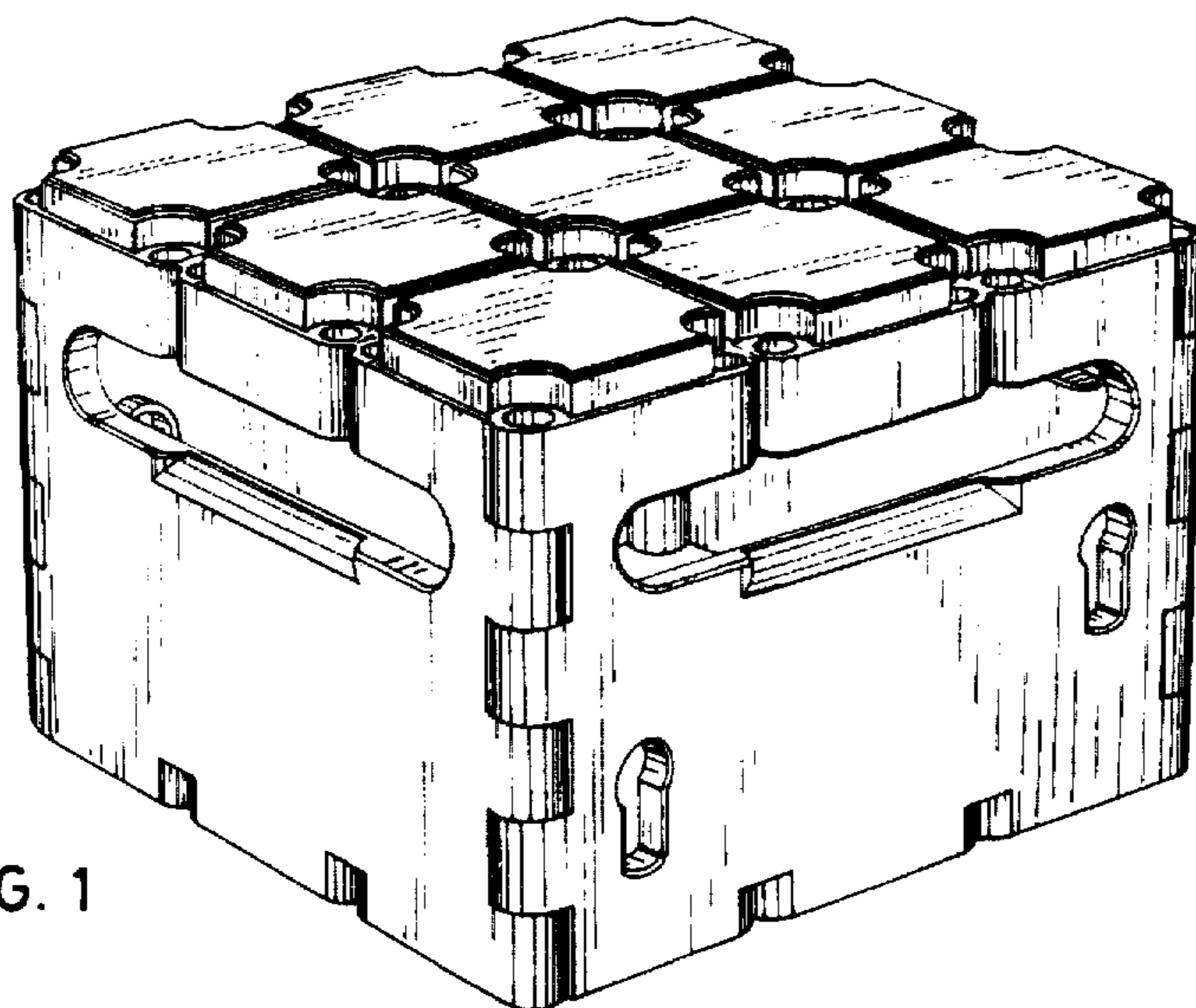


FIG. 1

FIG. 2

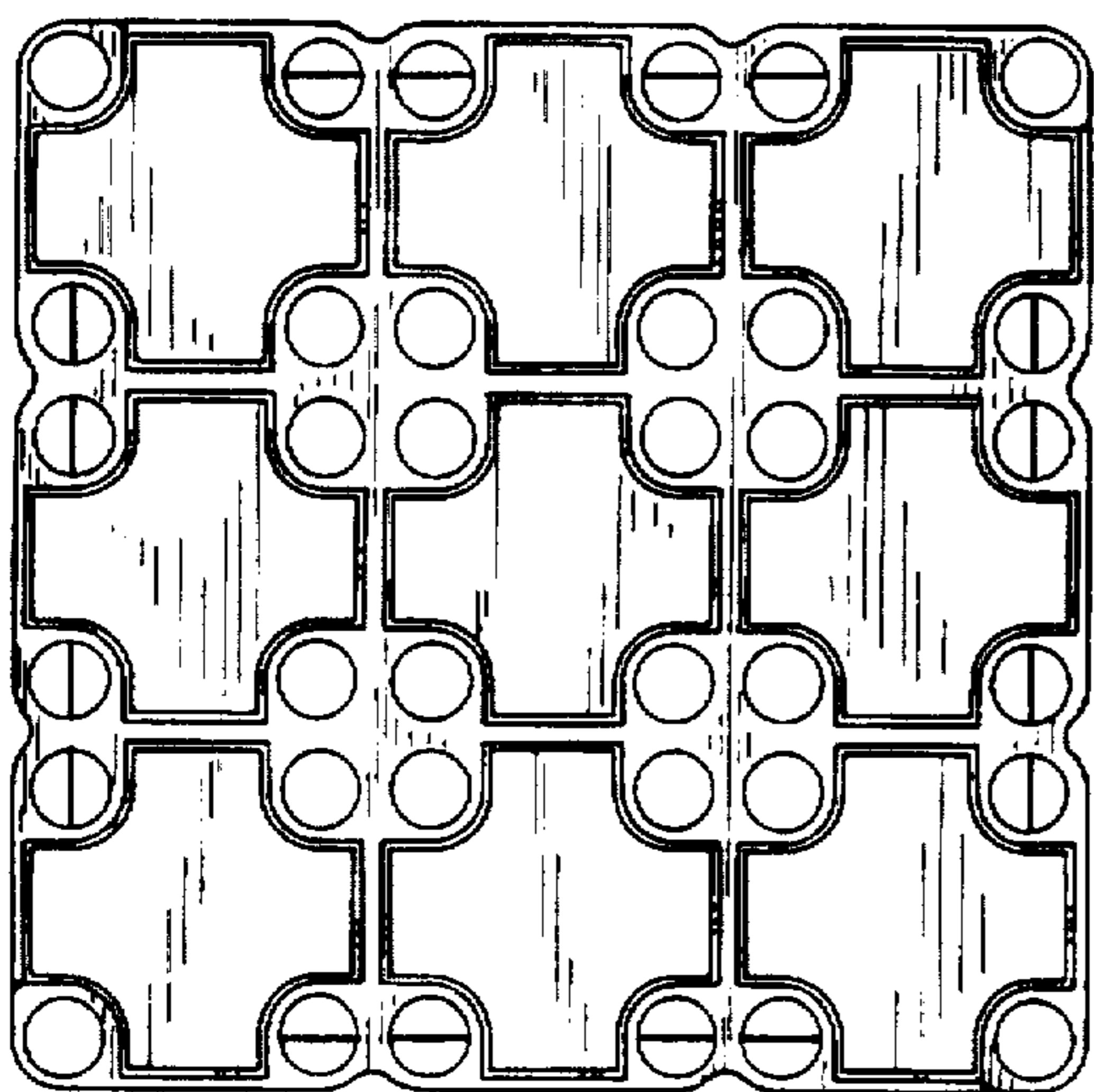


FIG. 4

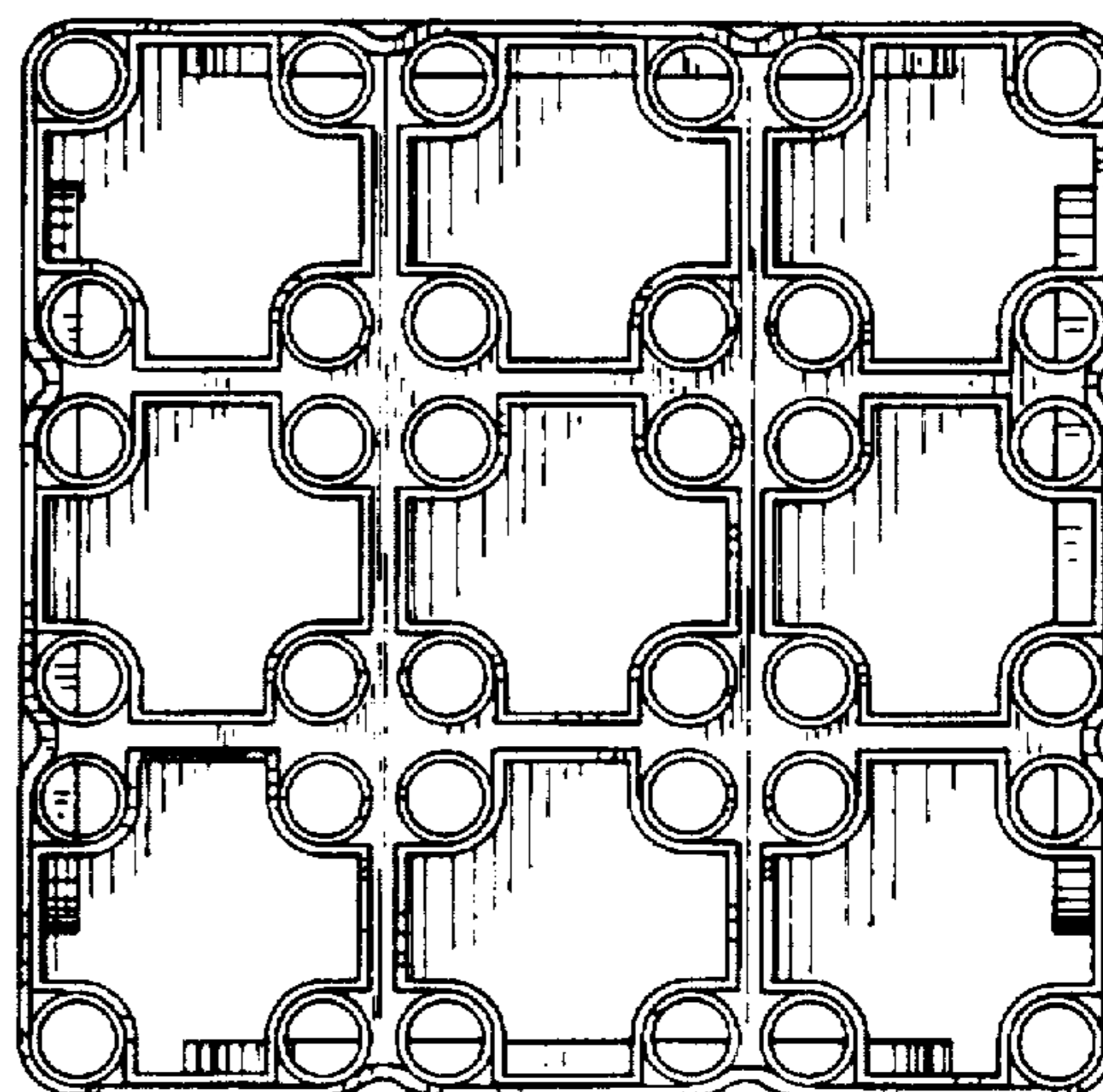


FIG. 3

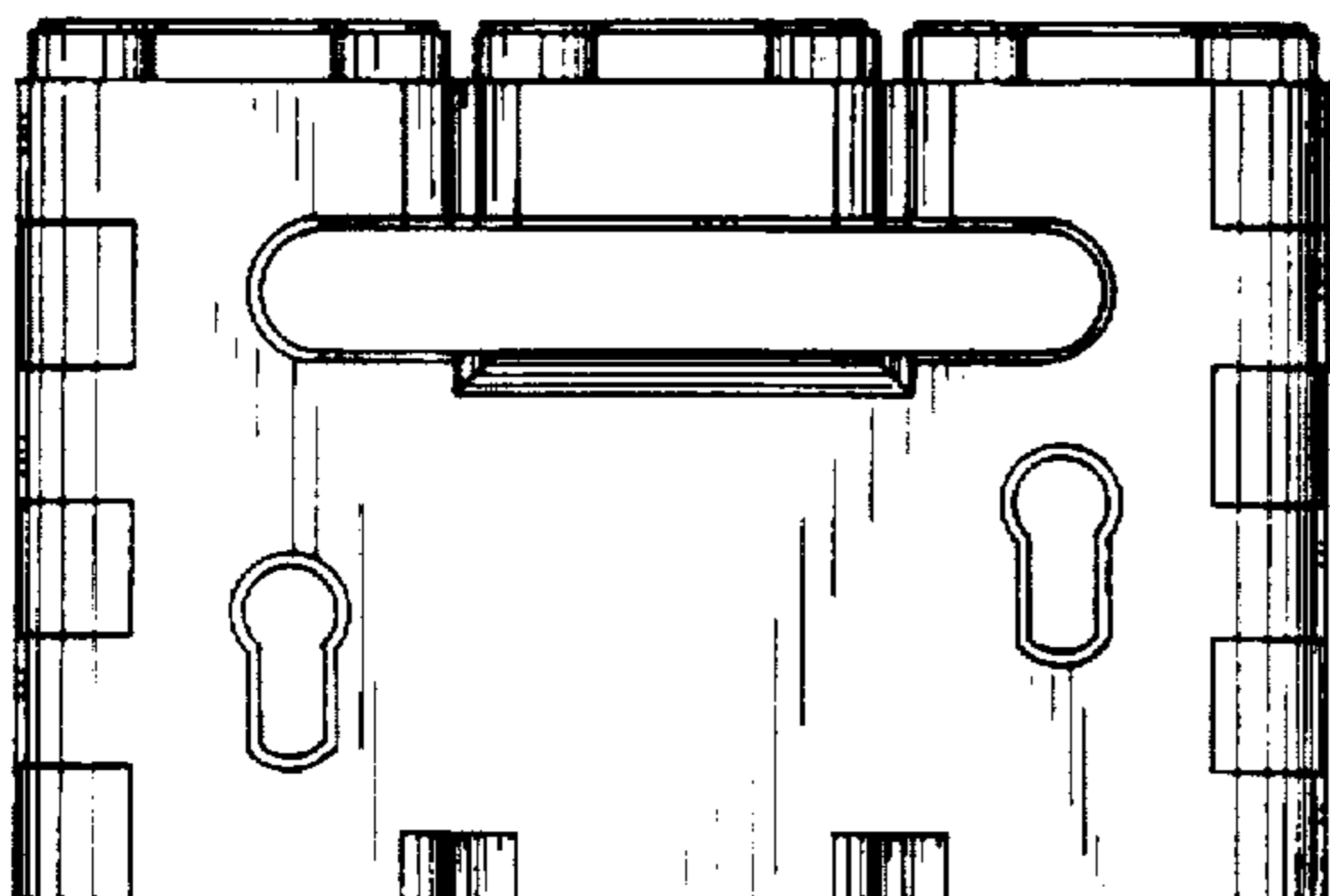
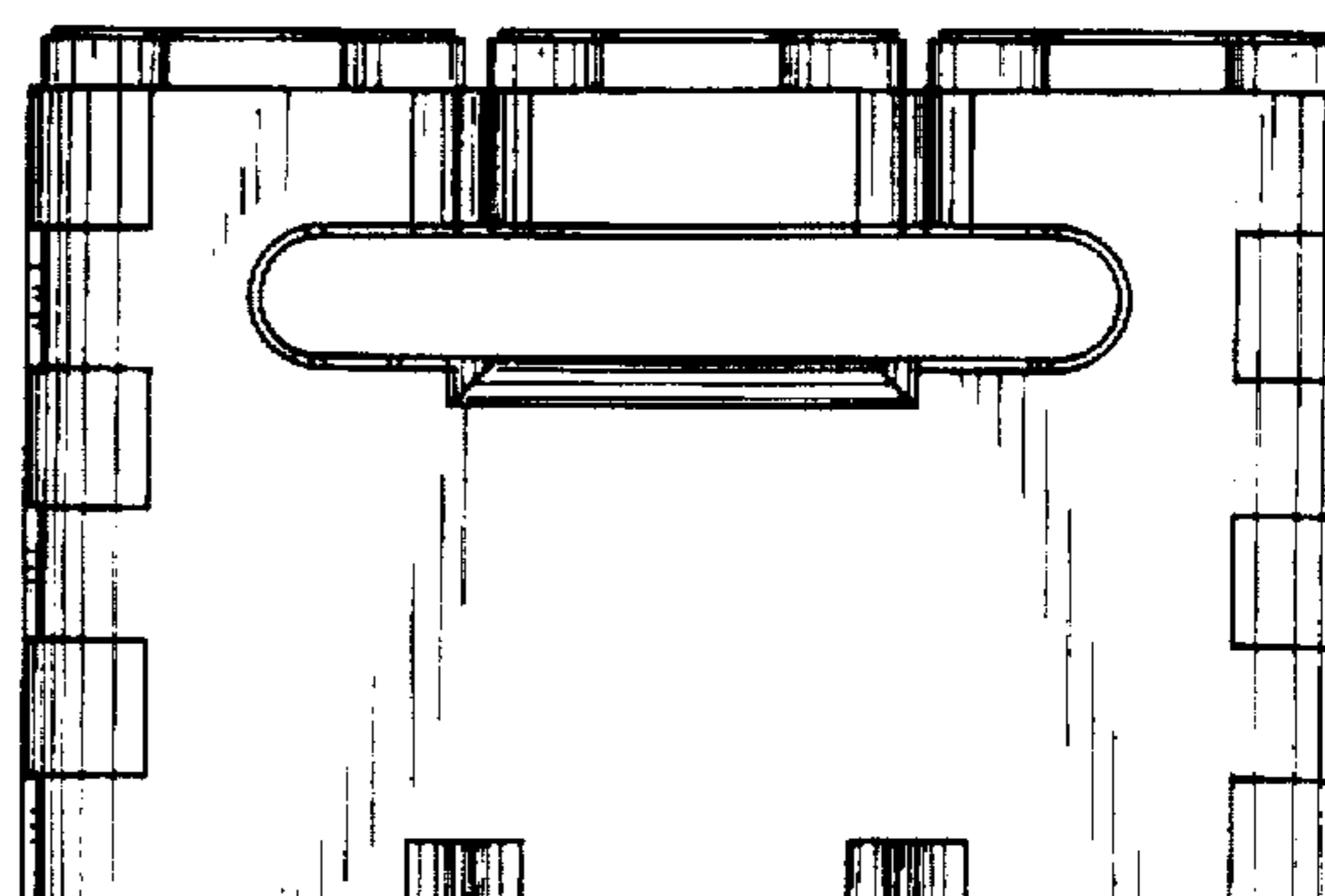


FIG. 5



UNITED STATES PATENT AND TRADEMARK OFFICE  
**CERTIFICATE OF CORRECTION**

Page 1 of 4

PATENT NO. : Des. 393,738  
DATED : Apr. 28, 1998  
INVENTOR(S) : Rom Doul Eng

It is certified that error appears in the above-identified patent and that said Letters Patent is hereby corrected as shown below:

The title page should be deleted to appear as per attached title page.

The drawing sheet consisting of Figs. 1-5 should be deleted to appear as per attached.

Signed and Sealed this  
Twenty-second Day of September, 1998

Attest:



**BRUCE LEHMAN**

Attesting Officer

Commissioner of Patents and Trademarks



US00D393738S

United States Patent [19]  
Eng

[11] Patent Number: Des. 393,738  
[45] Date of Patent: \*\*Apr. 28, 1998

[54] CAP WITH HEADSCARF  
[76] Inventor: Rom Doul Eng, 14 rue Mario Capra,  
94400, Vitry sur Seine, France  
[\*\*] Term: 14 Years  
[21] Appl. No.: 59,772  
[22] Filed: Sep. 16, 1996  
[30] Foreign Application Priority Data  
Mar. 15, 1996 [FR] France ..... 96 1602  
[51] LOC (6) Cl. .... 02-03  
[52] U.S. Cl. .... D2/865  
[58] Field of Search ..... D2/865, 866, 867,  
D2/870, 872, 876, 877, 879, 880, 881,  
882, 500, 501; 2/171, 174, 181, 195.1,  
195.8, 200.1, 200.3, 207

D. 360,746 8/1995 Bowser ..... D2/865  
1,019,019 3/1912 Bruder ..... 2/195.7 X  
1,082,648 12/1913 Rawak ..... 2/195.7 X  
1,146,829 7/1915 Winget ..... 2/195.7  
1,525,386 2/1925 Hiebl et al. .... 2/200.1  
1,948,556 2/1934 Armsby ..... 2/174  
4,453,276 6/1984 Smith et al. .... 2/200.3

Primary Examiner—Paula A. Mortimer

[57] CLAIM

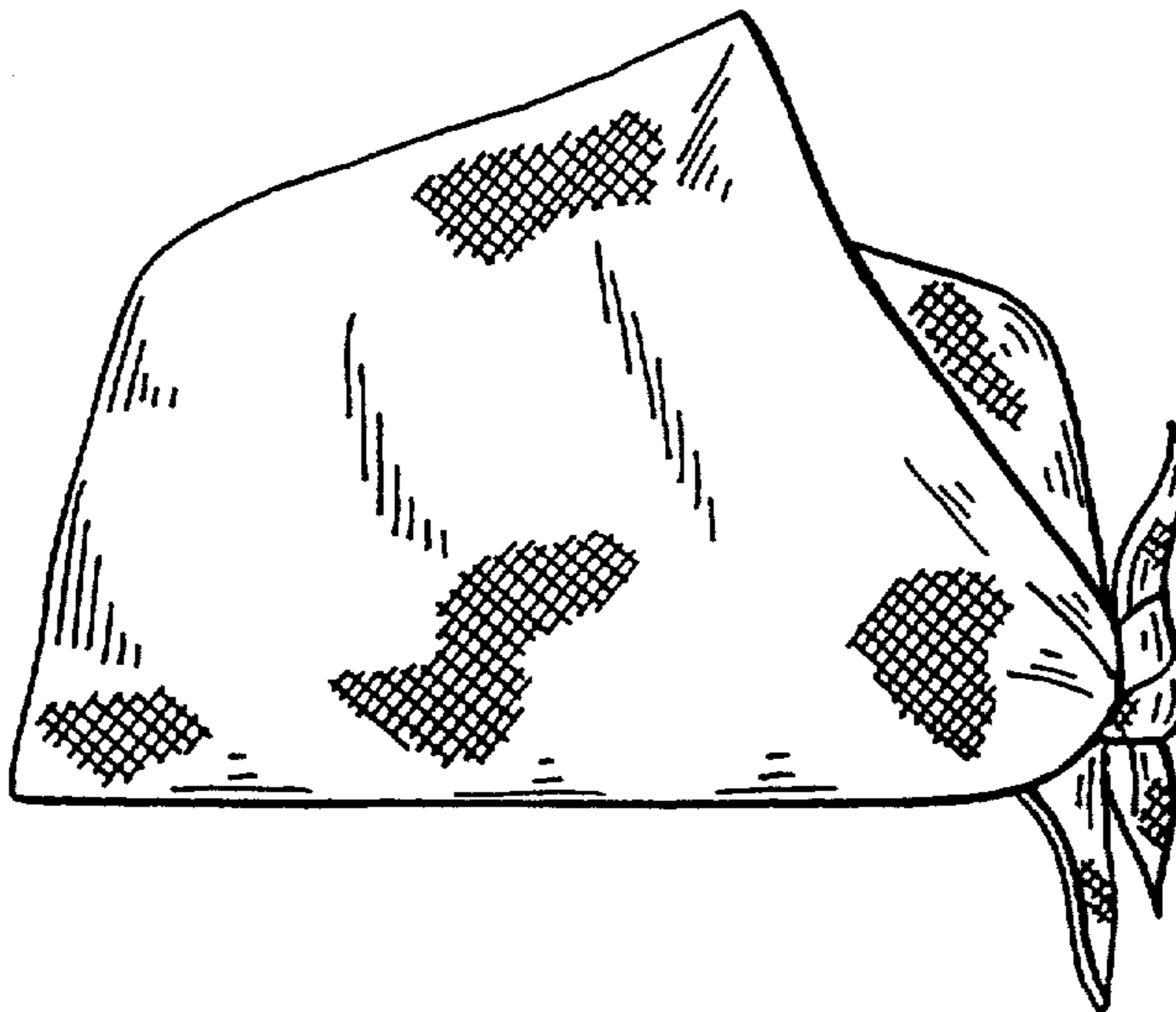
The ornamental design for a cap with headscarf, as shown and described.

DESCRIPTION

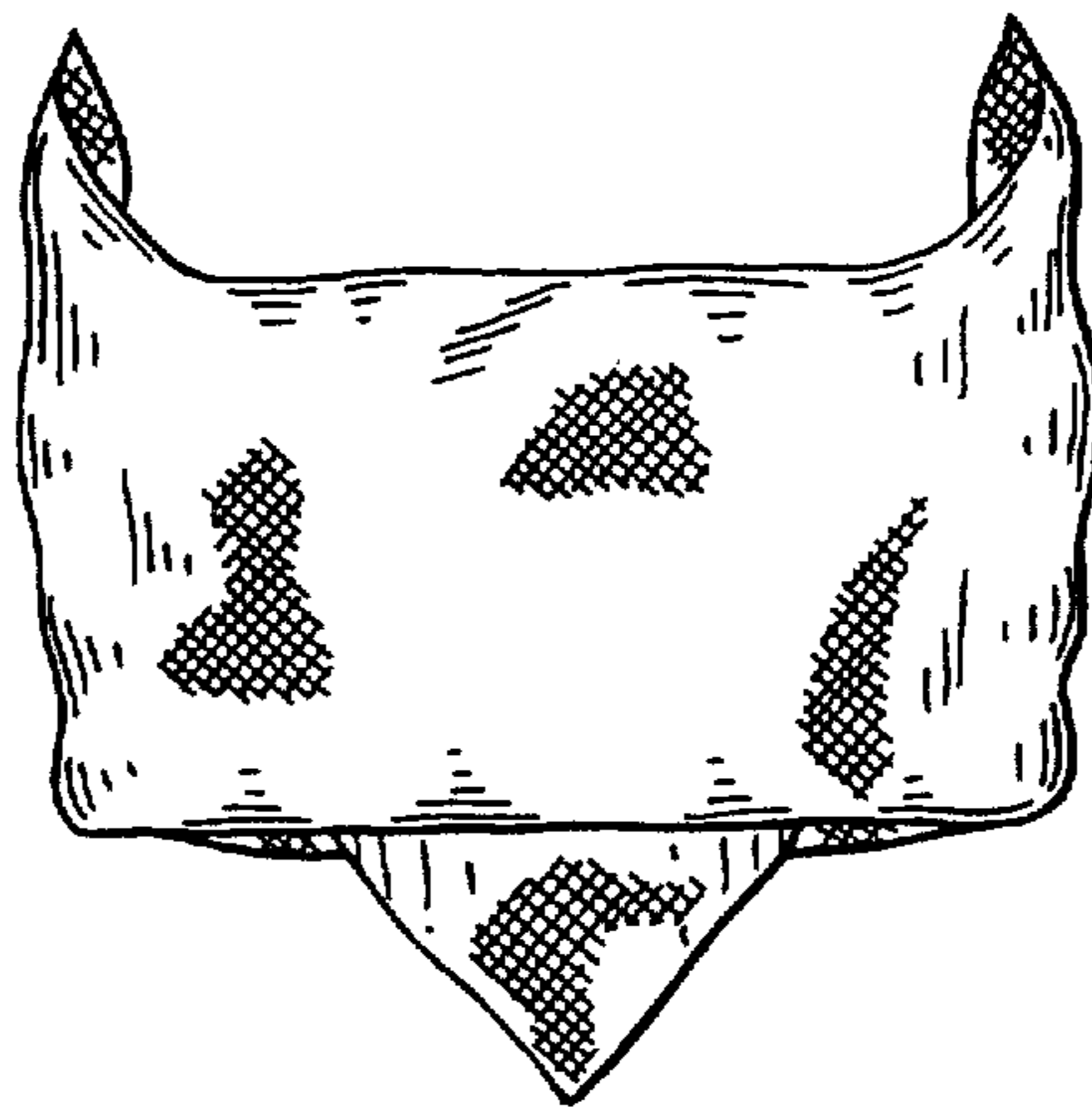
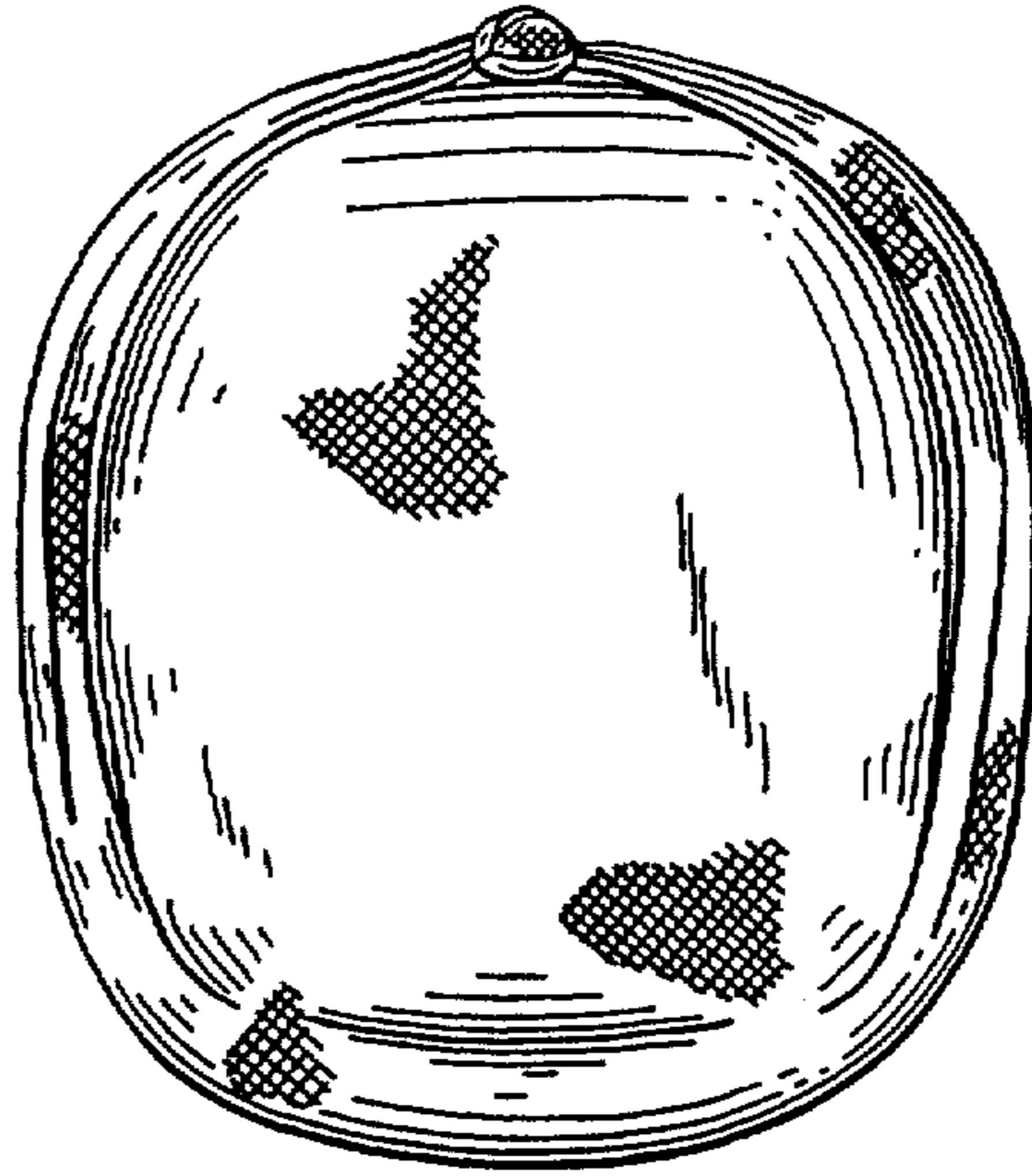
FIG. 1 is a top plan view of my new design;  
FIG. 2 is a front elevational view thereof;  
FIG. 3 is a right side view thereof, the left side being a mirror image;  
FIG. 4 is a rear elevational view thereof; and,  
FIG. 5 is bottom plan view thereof.

[56] References Cited  
U.S. PATENT DOCUMENTS  
D. 359,384 6/1995 Dlugokeski ..... D2/865 X

1 Claims, 2 Drawing Sheets



*FIG.1*



*FIG.2*

FIG.3

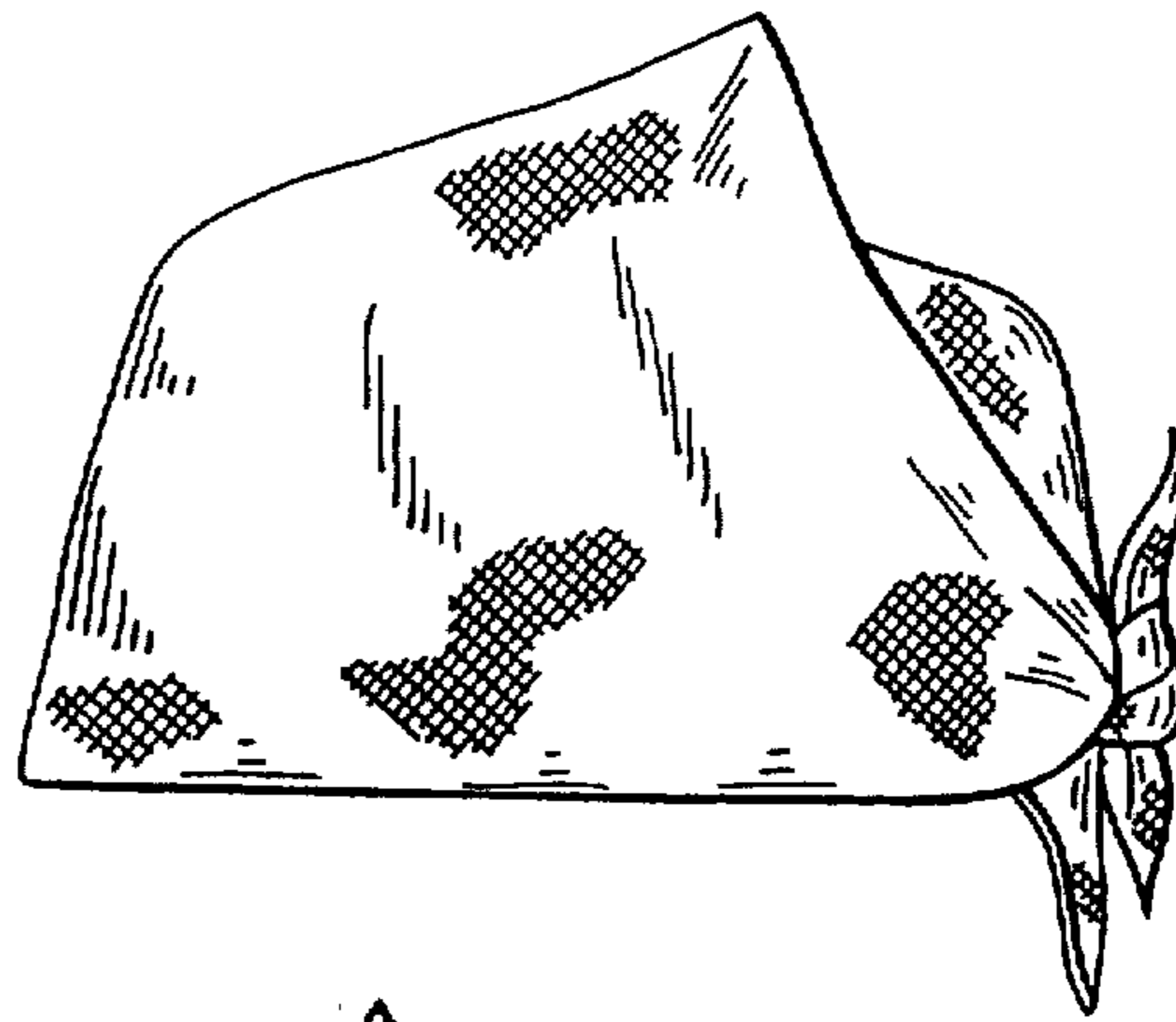


FIG.4

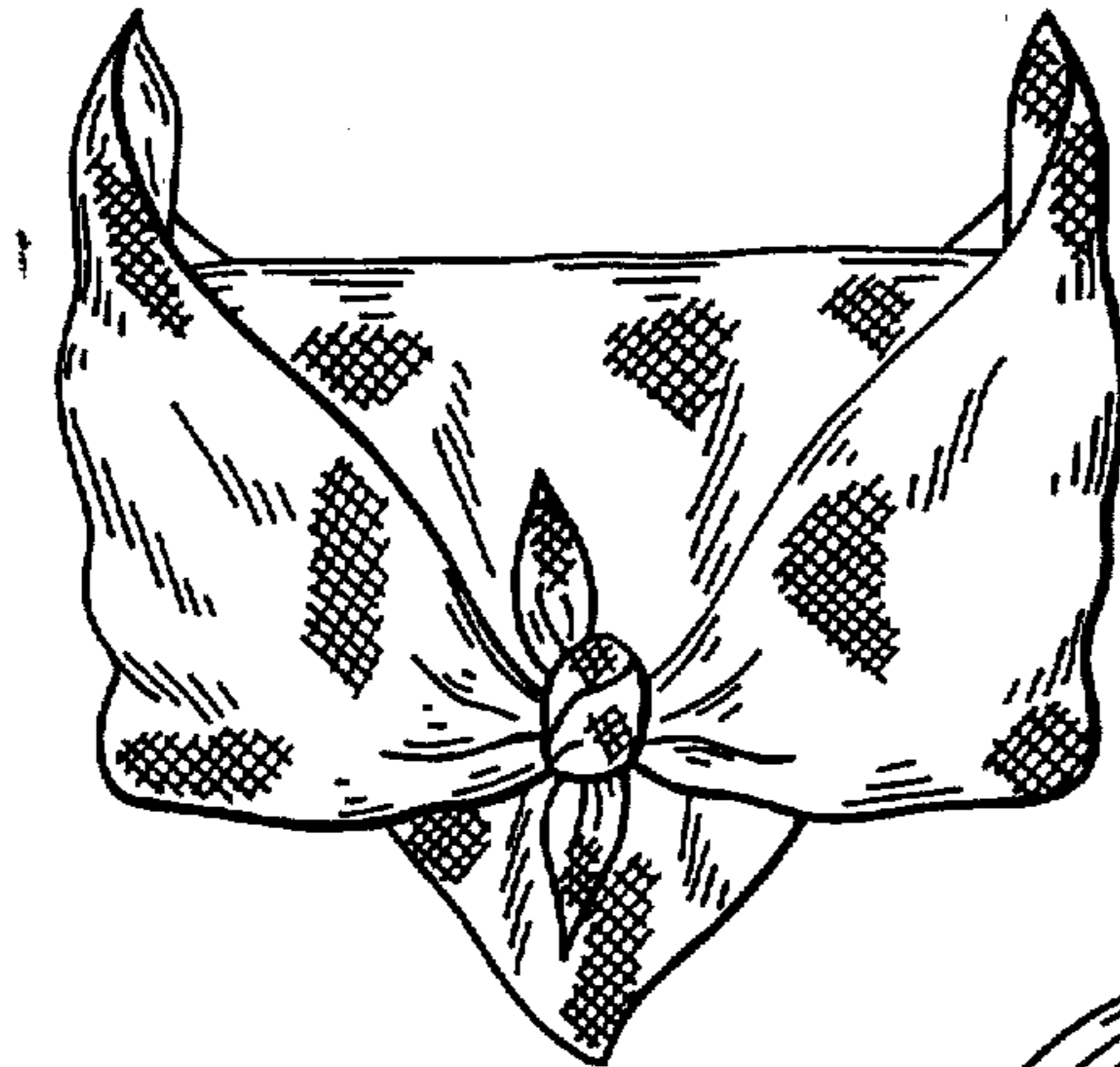


FIG.5

