



US00D393732S

United States Patent [19]

[11] Patent Number: **Des. 393,732**

Rubenzer

[45] Date of Patent: ****Apr. 21, 1998**

[54] ADJUSTABLE LAMP

OTHER PUBLICATIONS

[76] Inventor: **Peter J. Rubenzer**, PO Box 460,
Newcastle, Calif. 95658

Designer Fountain supplemental lighting catalog, #106-2, p. 1, adjustable table and floor lamps, Dec. 1990.

[**] Term: **14 Years**

Primary Examiner—Susan J. Lucas

[21] Appl. No.: **66,712**

[57] CLAIM

[22] Filed: **Feb. 19, 1997**

The ornamental design for an adjustable lamp, as shown and described.

[51] LOC (6) Cl. **26-05**

DESCRIPTION

[52] U.S. Cl. **D26/65**

[58] Field of Search D26/61, 62, 63,
D26/65; 362/269, 275, 287, 410-414, 418,
419, 427, 401, 402

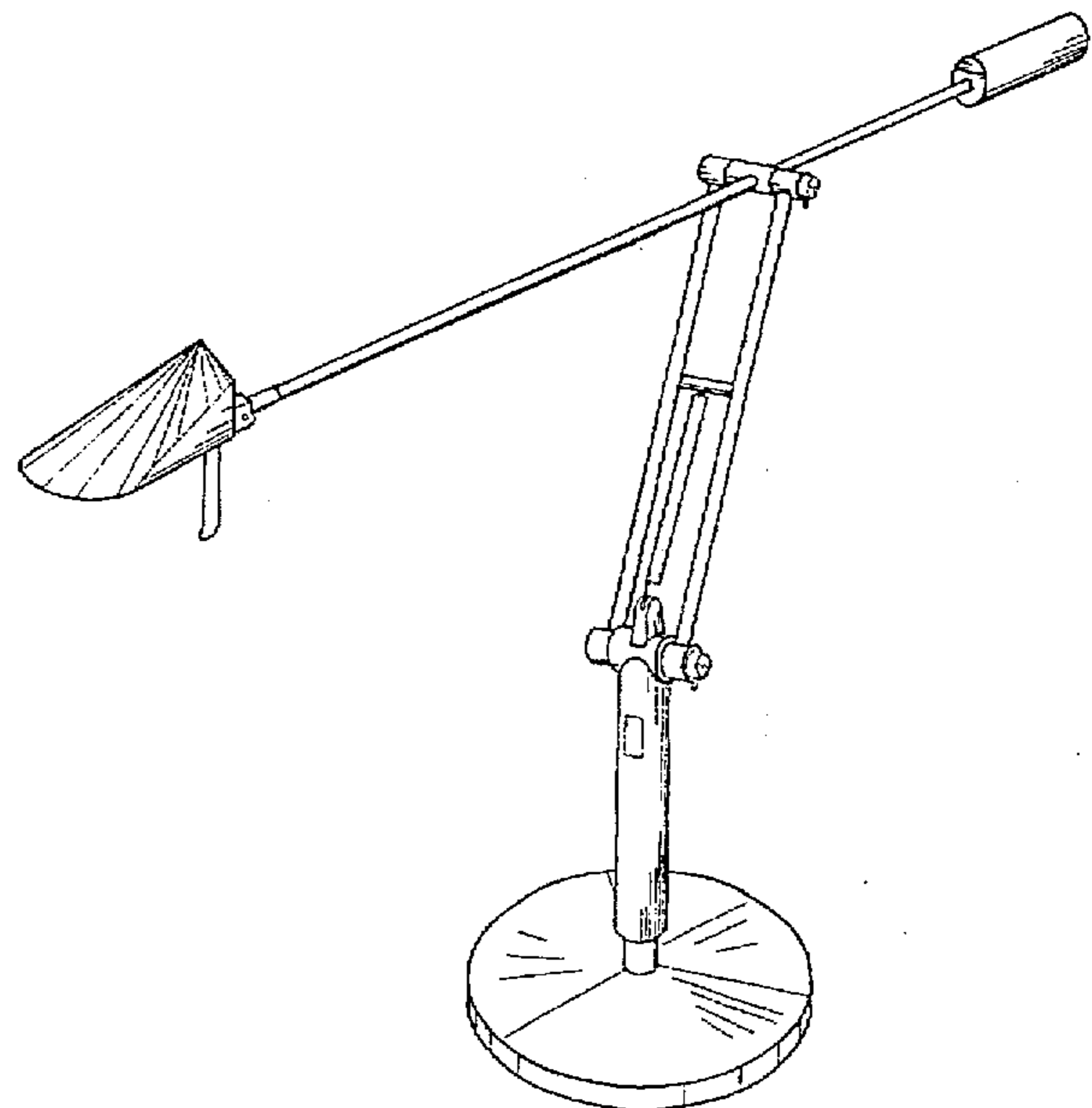
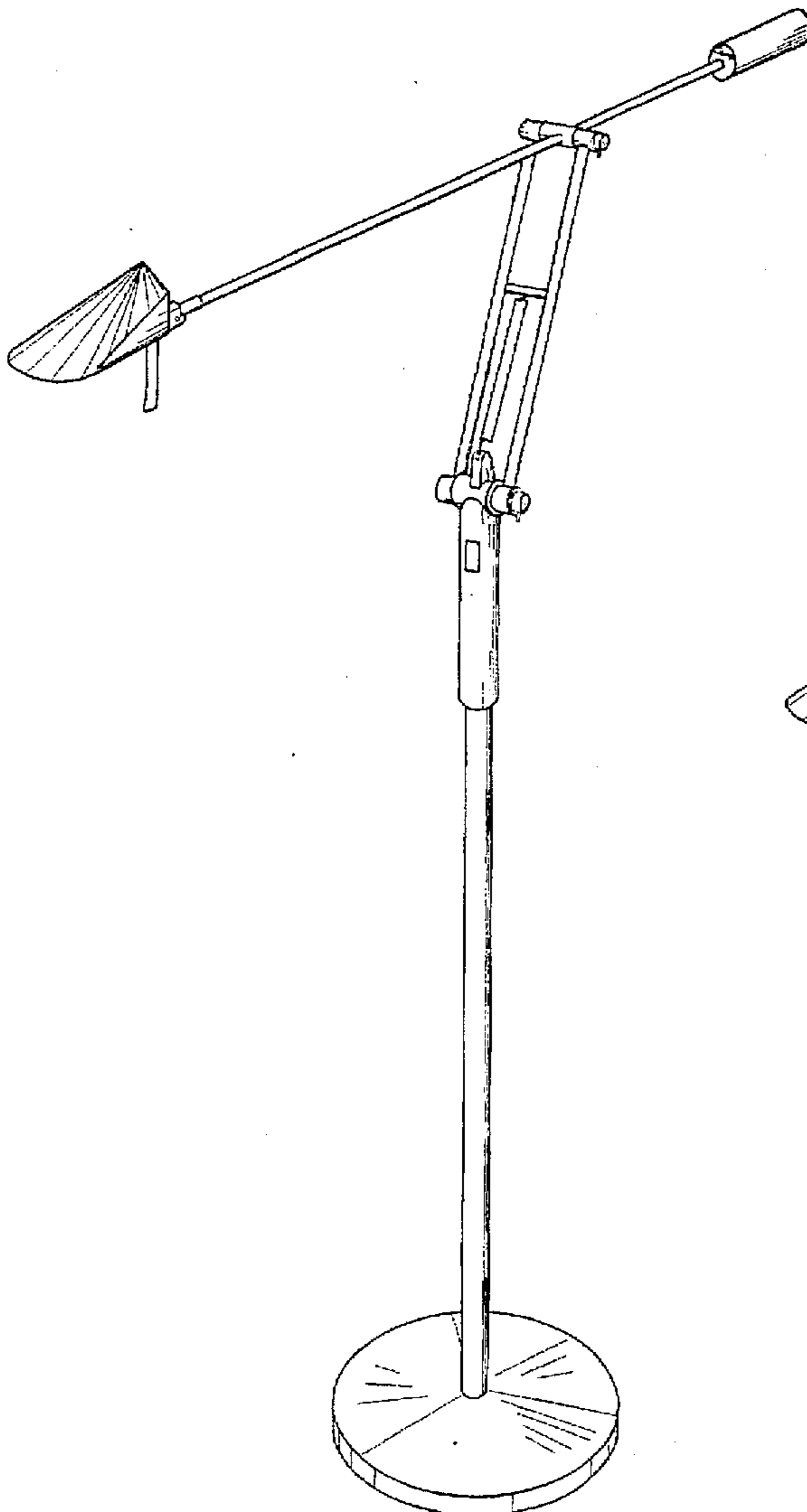
FIG. 1 is a front, left side perspective view;
FIG. 2 is a front elevational view;
FIG. 3 is a rear elevational view;
FIG. 4 is a front, left side perspective view of a second embodiment of the adjustable lamp of my design;
FIG. 5 is a left side elevational view of the first embodiment of the claimed design;
FIG. 6 is a top plan view on an enlarged scale; and,
FIG. 7 is a bottom plan view on an enlarged scale.
The first embodiment differs from the second embodiment only by its elongated, vertical standard.

[56] References Cited

U.S. PATENT DOCUMENTS

D. 305,155	12/1989	De Lucchi	D26/65
D. 326,533	5/1992	Cerbini	D26/65
D. 330,266	10/1992	Lin	D26/65
4,974,135	11/1990	Chen	362/413 X

1 Claim, 4 Drawing Sheets



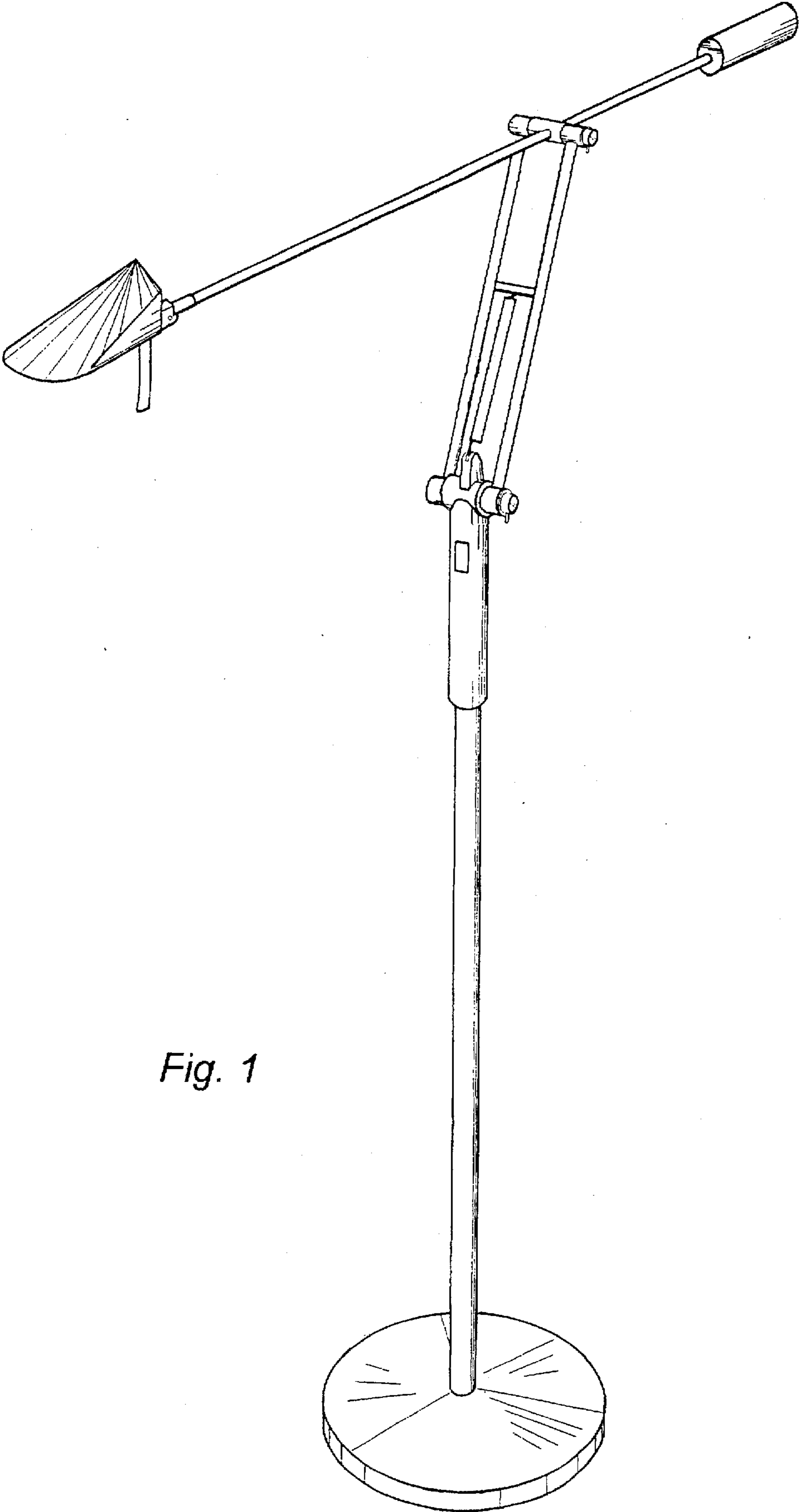
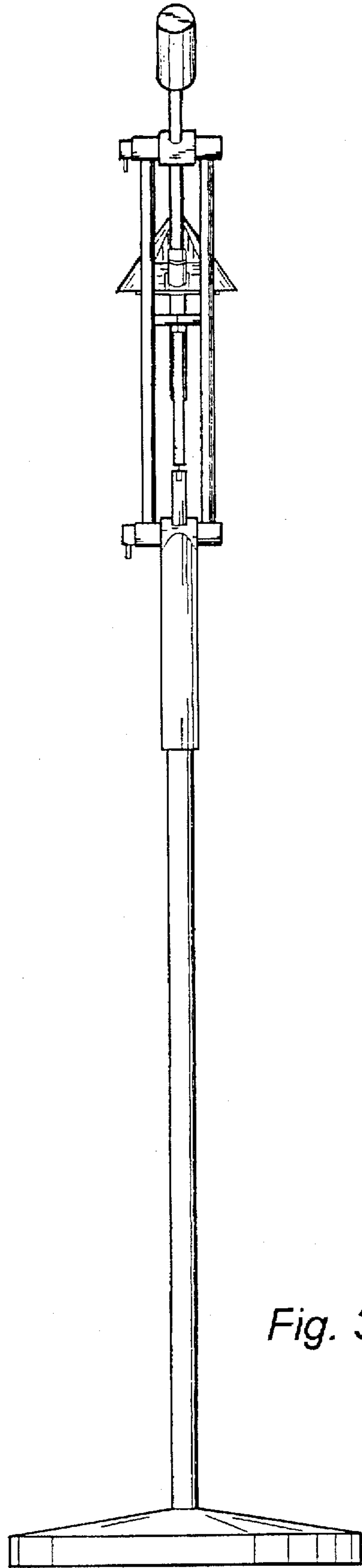
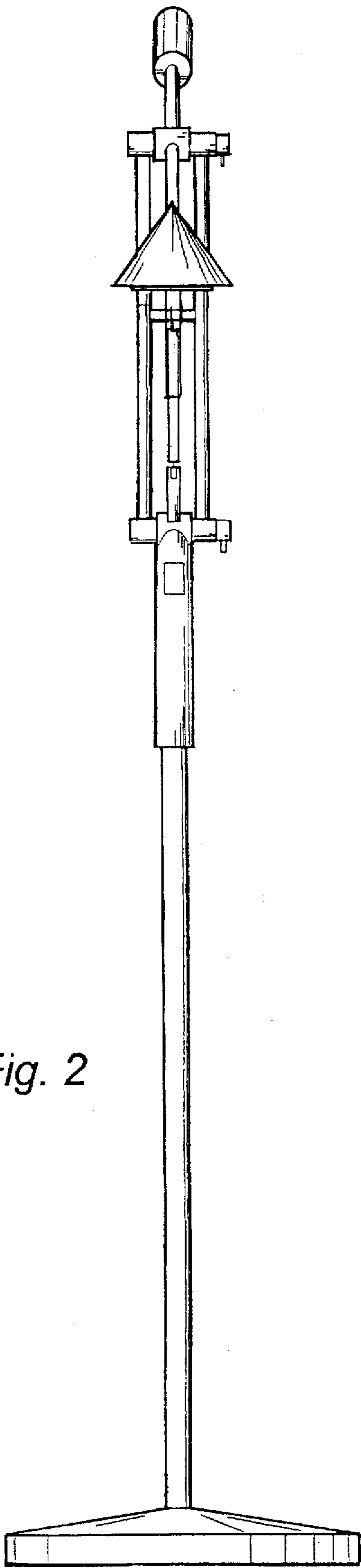
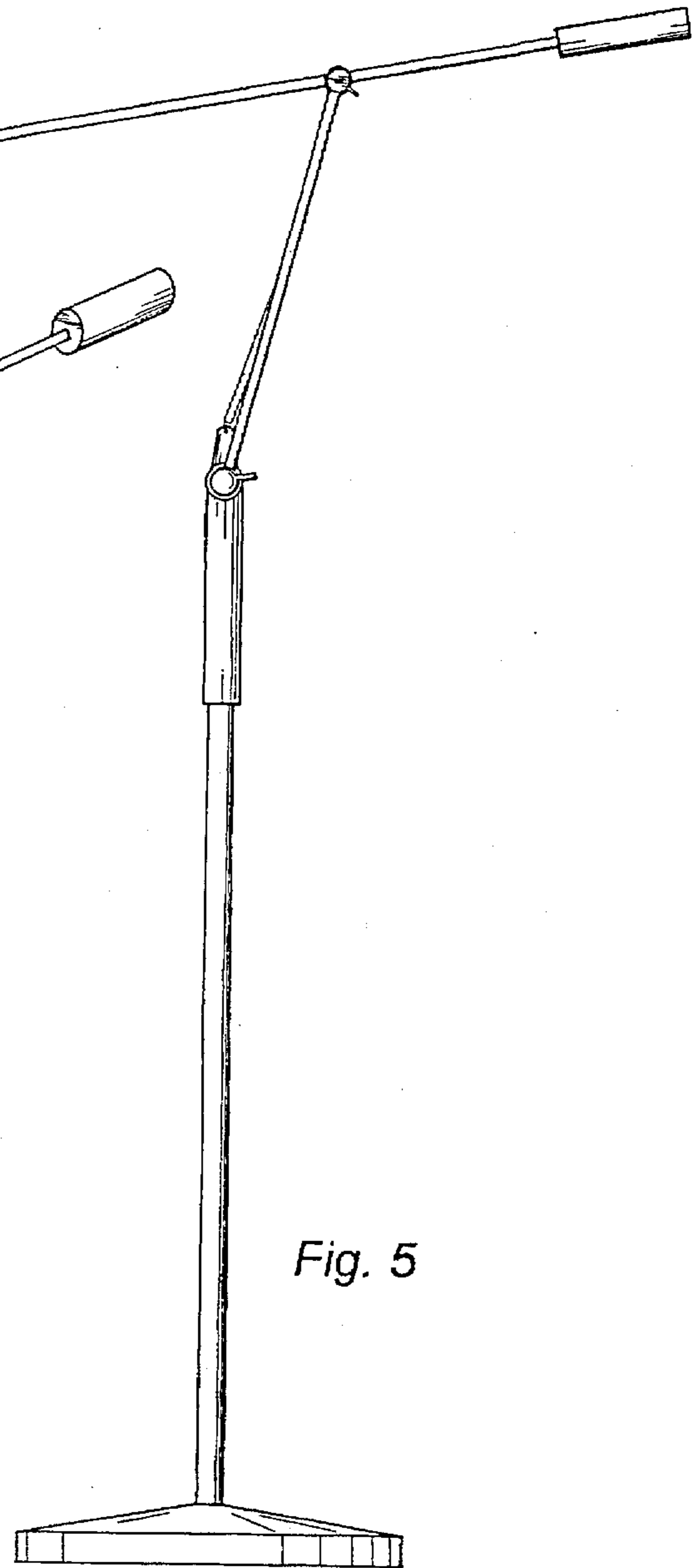
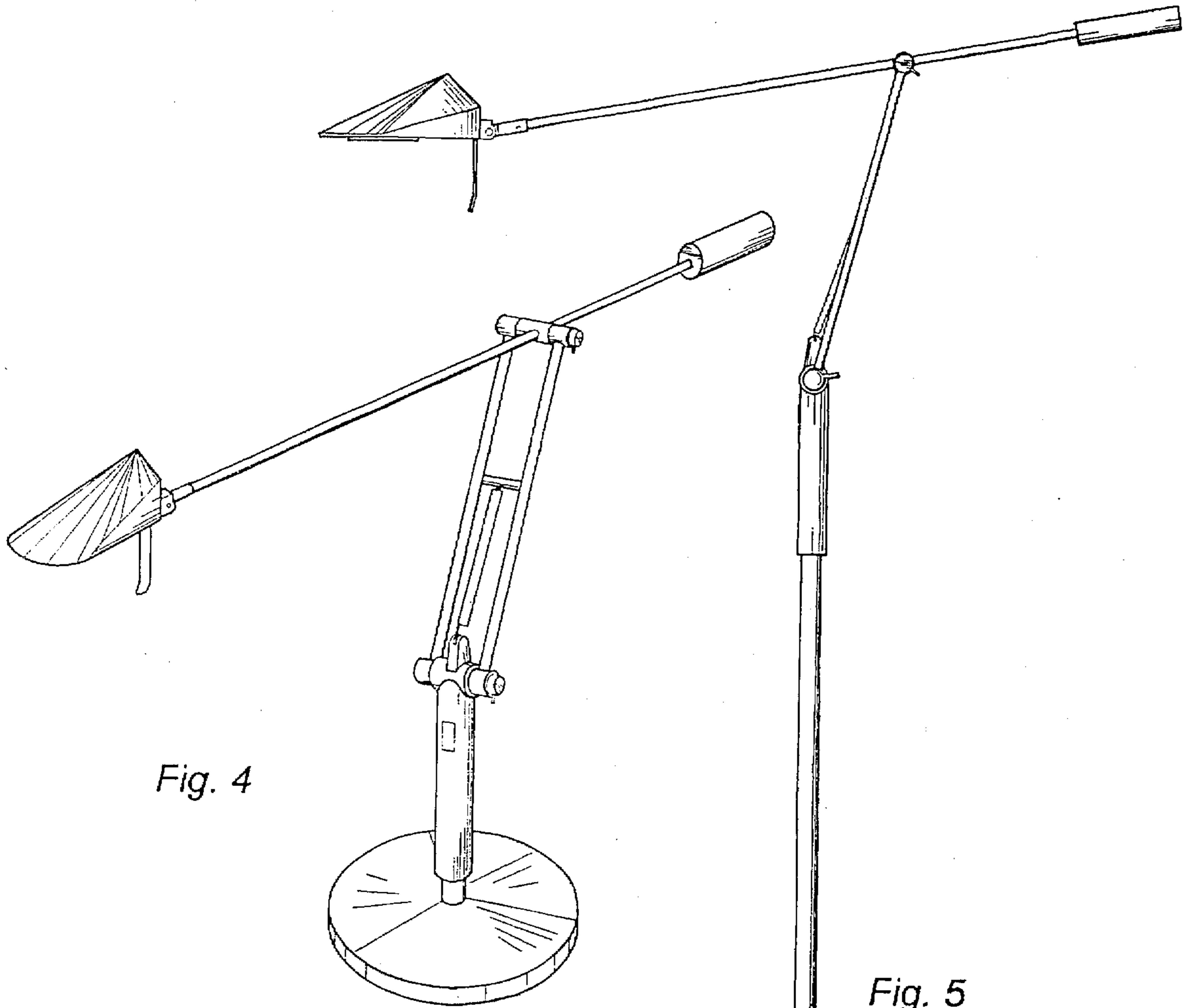


Fig. 1





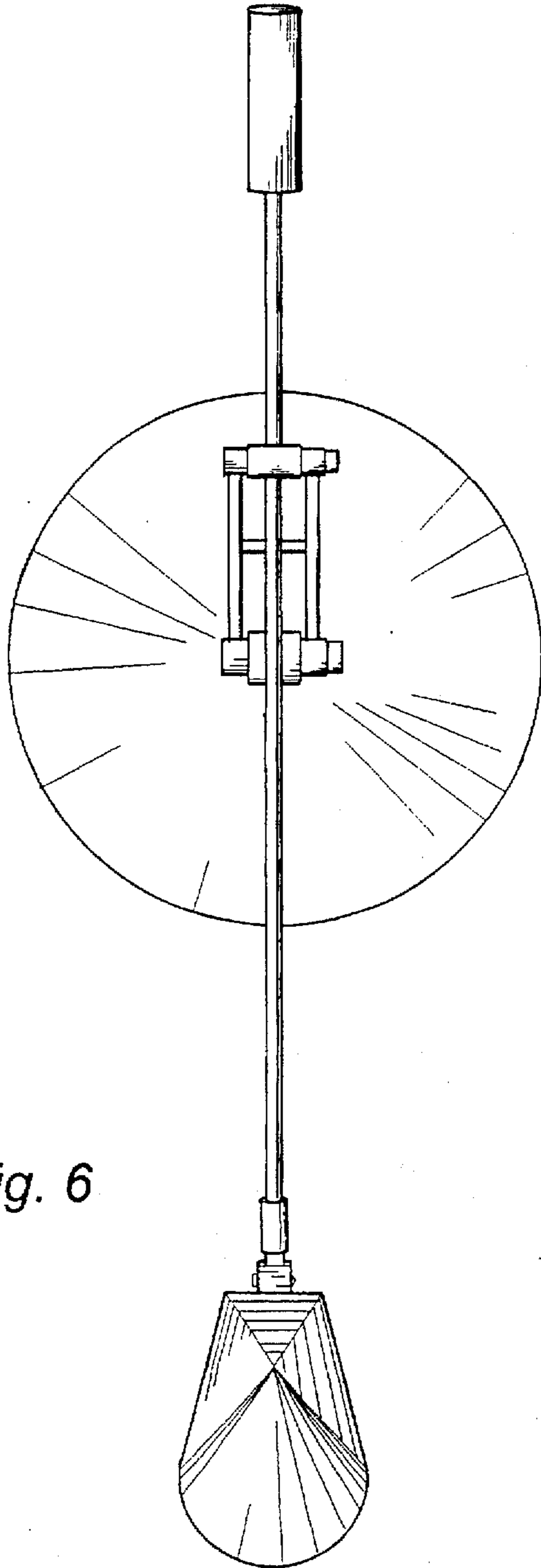


Fig. 6

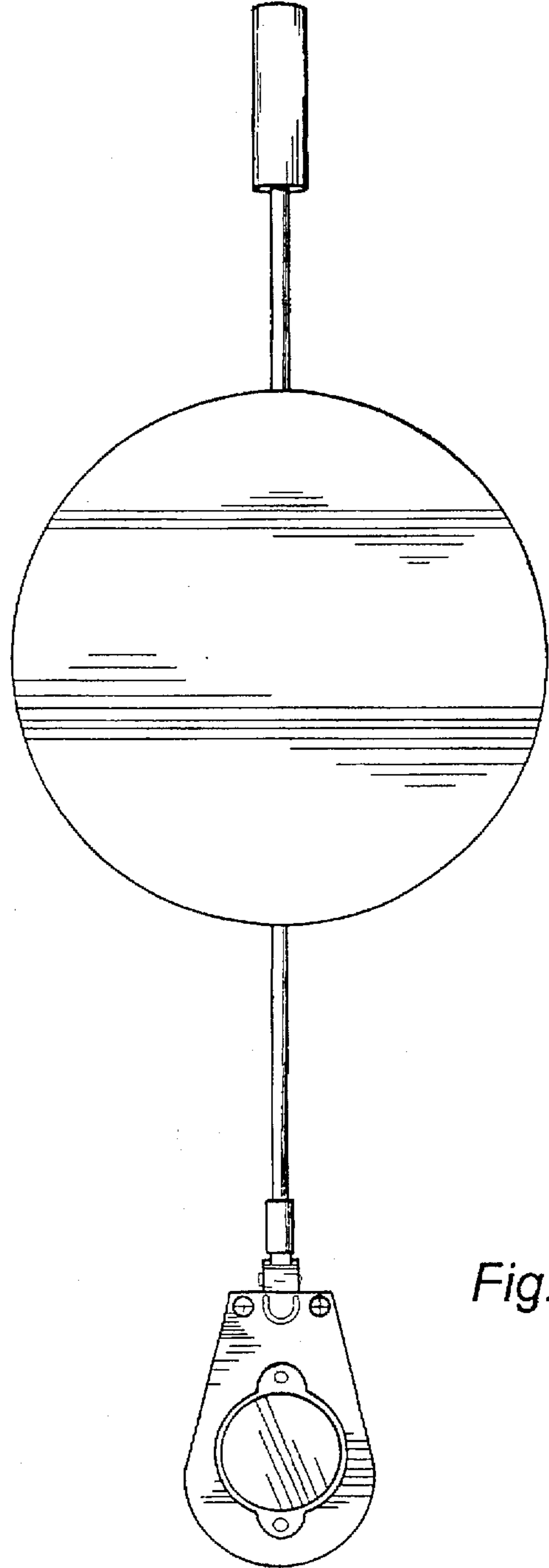


Fig. 7