



US00D393731S

United States Patent [19]
Swanson

[11] **Patent Number: Des. 393,731**
[45] **Date of Patent: **Apr. 21, 1998**

[54] **COMBINED TORCHIERE LAMP, TABLE,
AND TASK LIGHTS**

D. 353,904 12/1994 Swanson D26/63

[75] **Inventor: Dennis K. Swanson**, Woodland Hills,
Calif.

Primary Examiner—Susan J. Lucas
Attorney, Agent, or Firm—Robbins, Berliner & Carson, LLP

[73] **Assignee: Lamps Plus, Inc.**, Chatsworth, Calif.

[57] **CLAIM**

[*] **Notice:** The term of this patent shall not extend
beyond the expiration date of Pat. No. D.
348,113

The ornamental design of a combined torchiere lamp, table,
and task lights, as shown and described.

[**] **Term: 14 Years**

DESCRIPTION

[21] **Appl. No.: 37,261**

FIG. 1 is a front view of the combined torchiere lamp, table,
and task lights of the new design, the rear being a mirror
image;

[22] **Filed: Apr. 7, 1995**

FIG. 2 is a right side view thereof;

[51] **LOC (6) Cl. 26-05**

FIG. 3 is a left side view thereof;

[52] **U.S. Cl. D26/65; D26/58; D26/102**

FIG. 4 is a top view thereof;

[58] **Field of Search D26/58, 93, 102-112,
D26/63, 62; 362/410-414, 250**

FIG. 5 is a bottom view thereof; and,

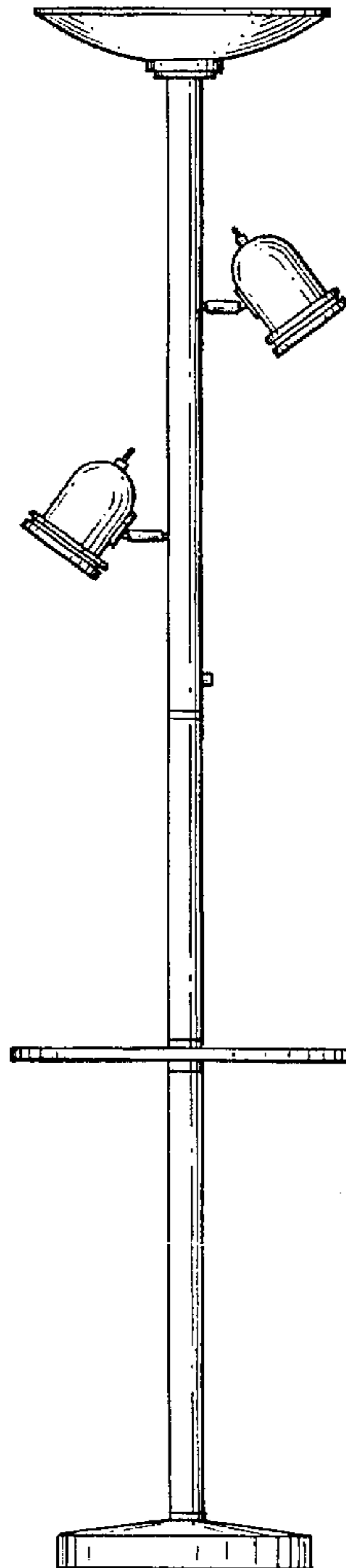
FIG. 6 is a fragmentary view of a second embodiment of my
new design, the lamp being fragmentarily shown for con-
venience of illustration, it being understood that the second
embodiment differs from the first only in the configuration
of the task lights.

[56] **References Cited**

U.S. PATENT DOCUMENTS

D. 348,113 6/1994 Swanson D26/63

1 Claim, 2 Drawing Sheets



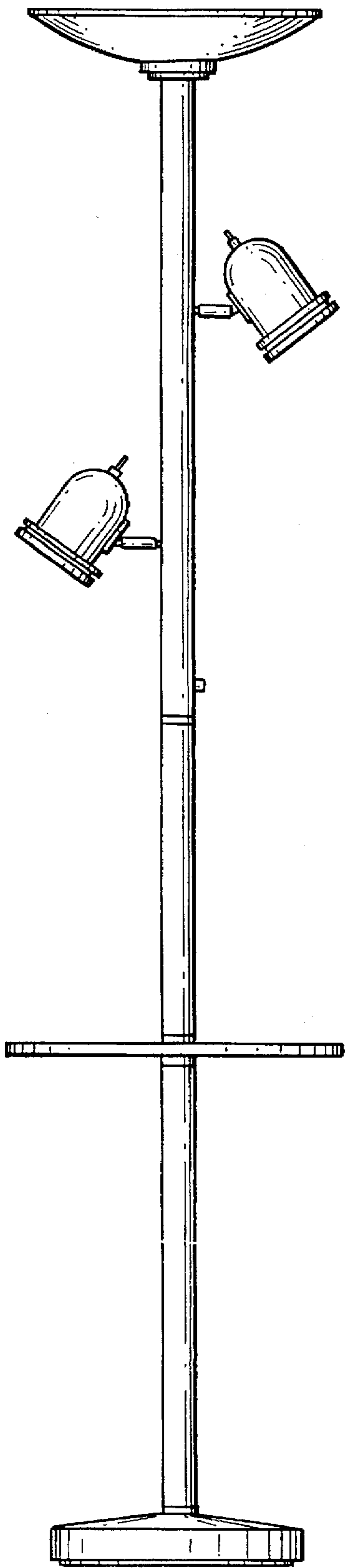


FIG. 1

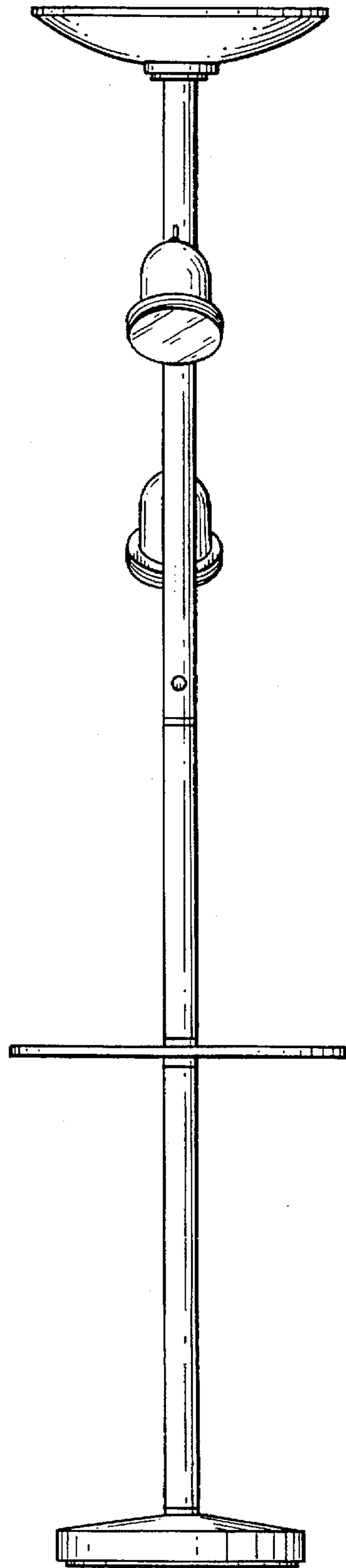


FIG. 2

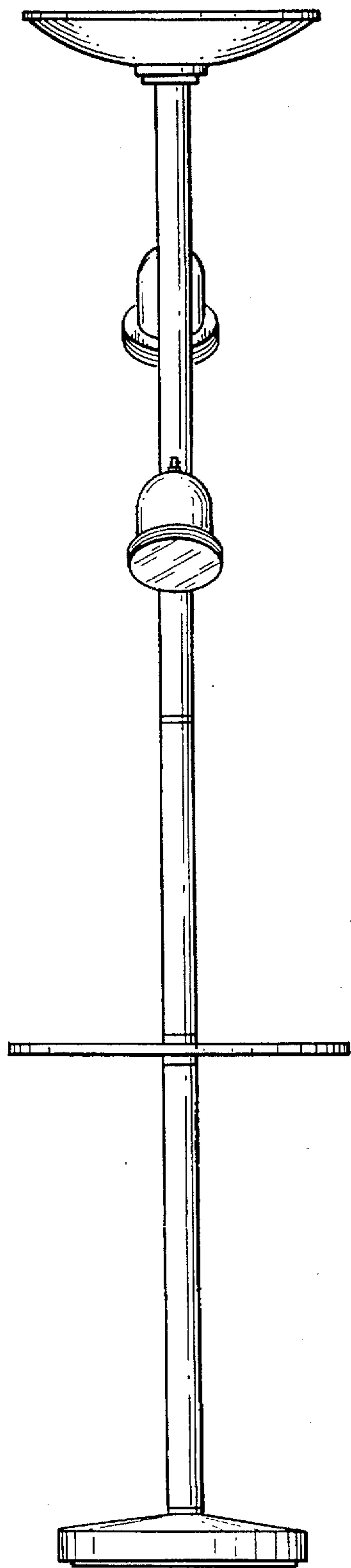


FIG. 3

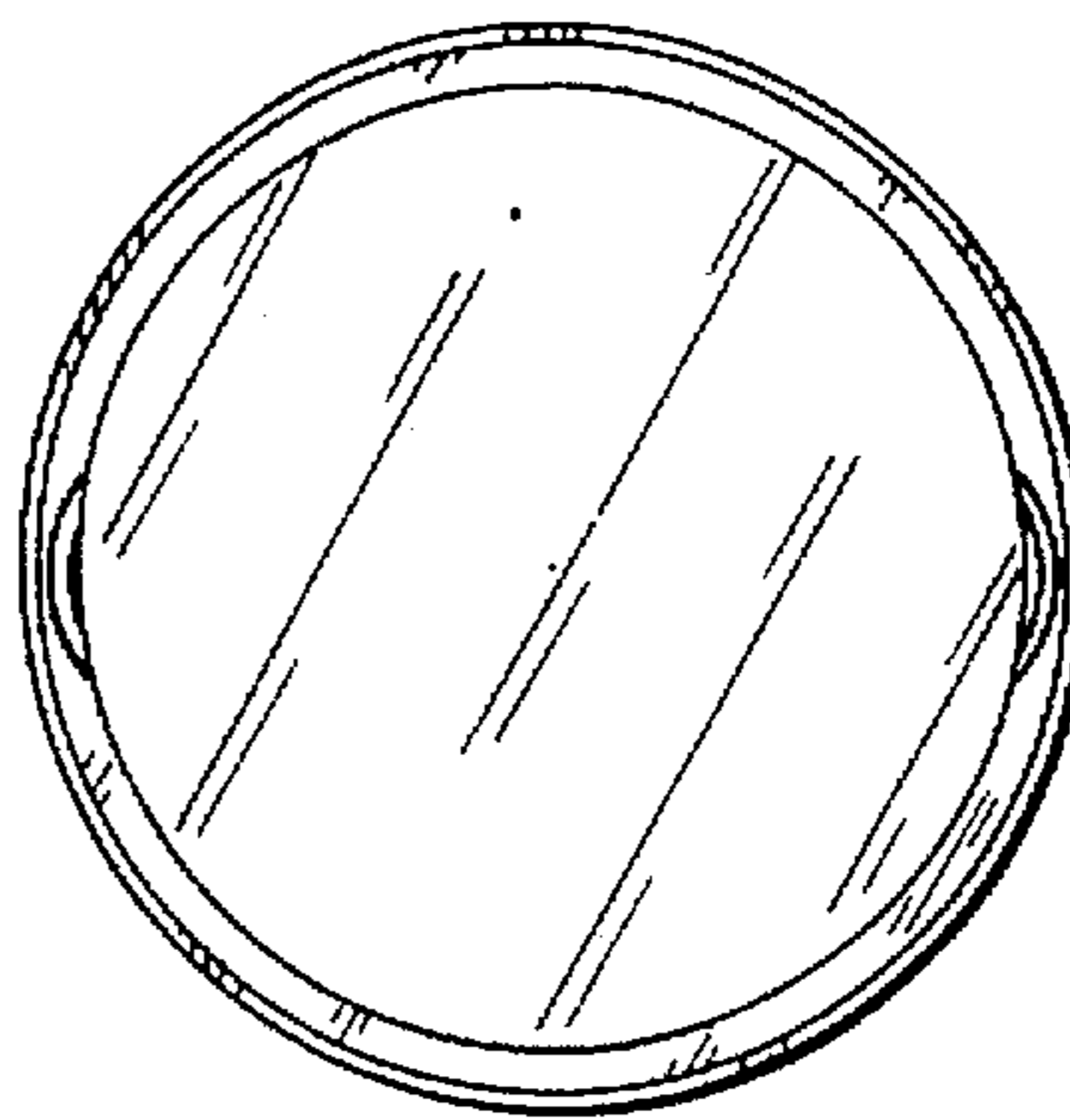


FIG. 4

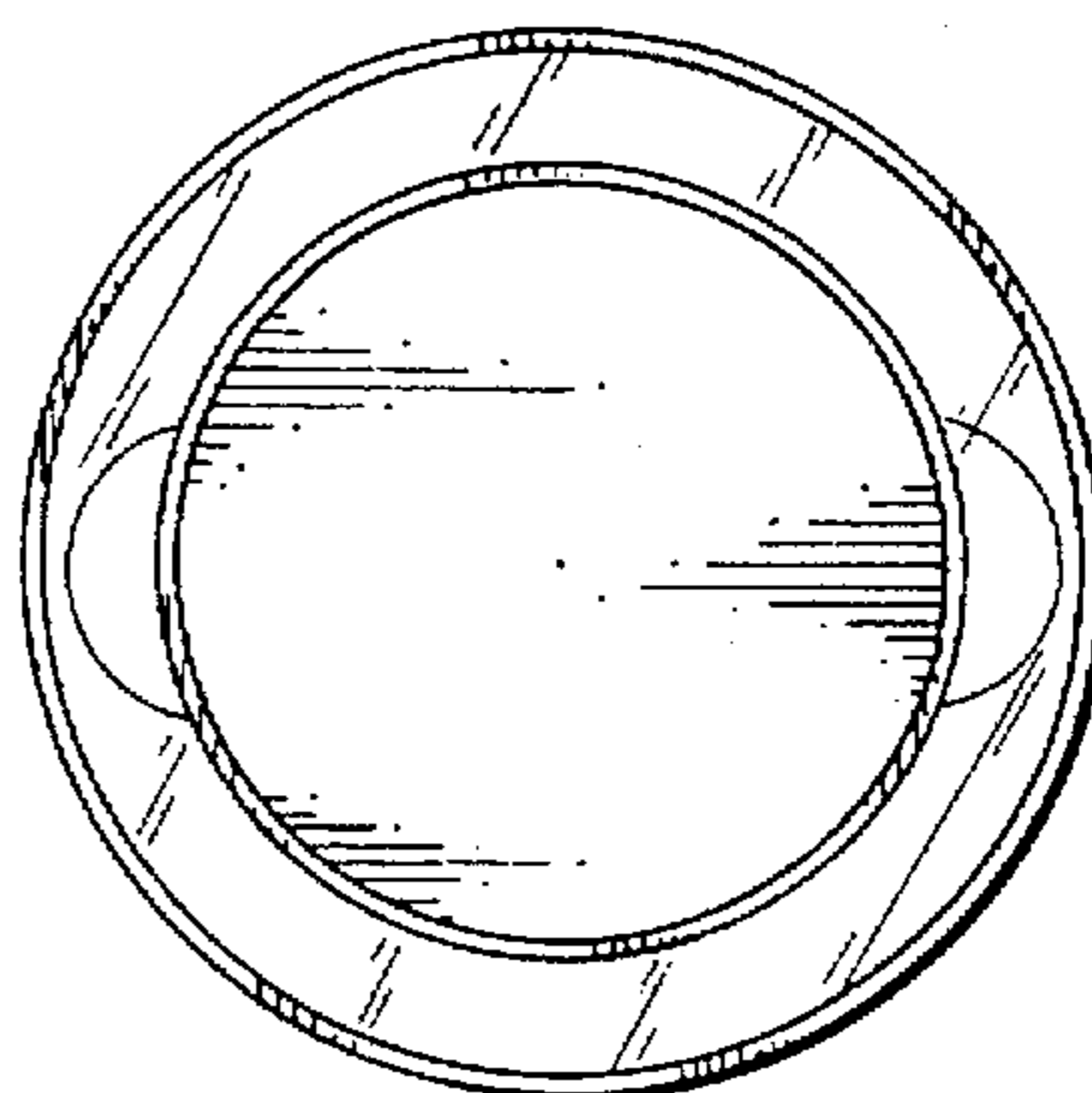


FIG. 5

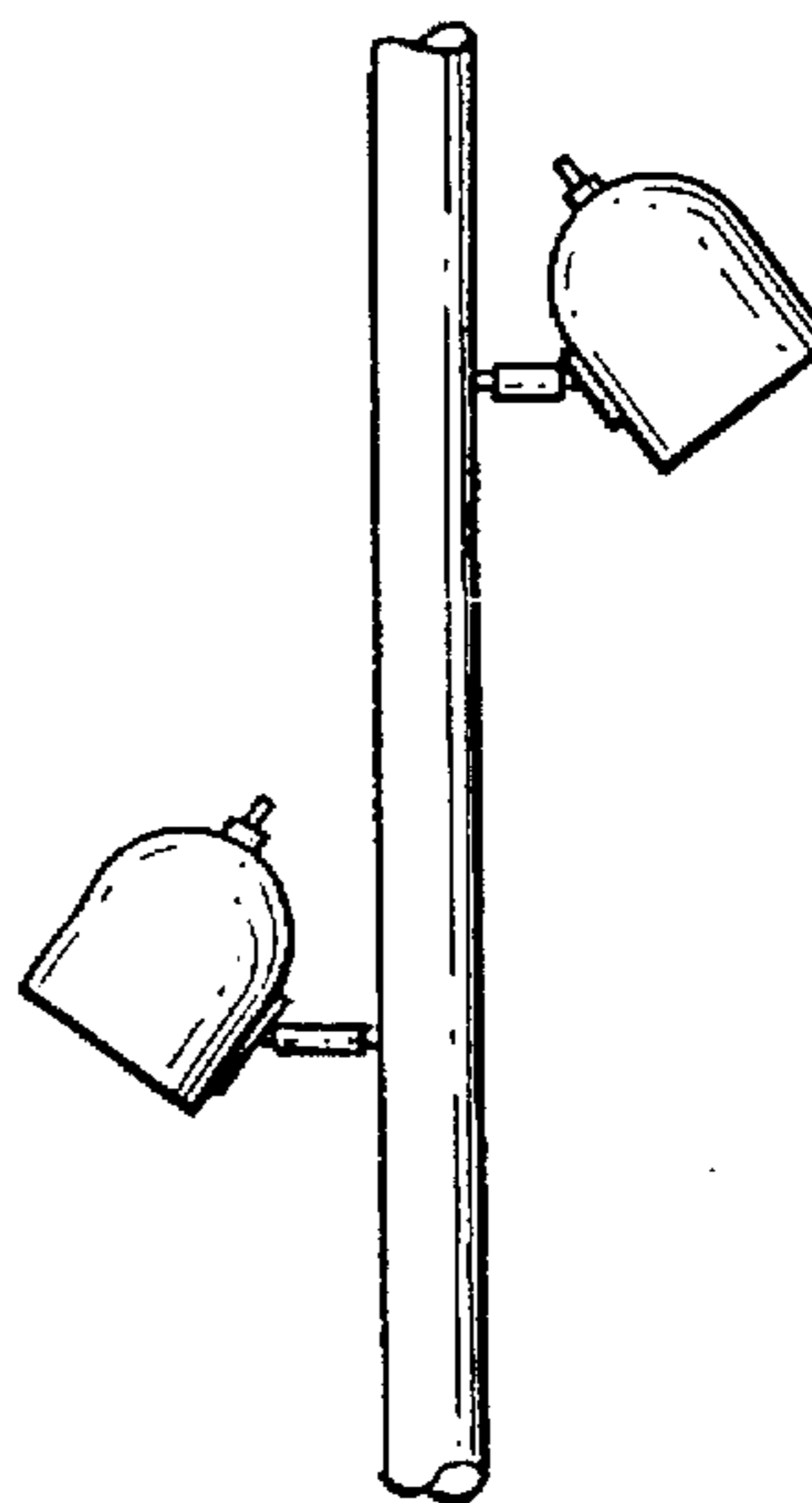


FIG. 6