



US00D393727S

# United States Patent [19]

[11] Patent Number: Des. 393,727

Wiegand, Jr.

[45] Date of Patent: \*\*Apr. 21, 1998

[54] INTERLOCKING PAVING STONE

[76] Inventor: William A. Wiegand, Jr., 2301 Circle Dr., O'Fallon, Mo. 63366

[\*\*] Term: 14 Years

[21] Appl. No.: 71,015

[22] Filed: May 15, 1997

[51] LOC (6) Cl. .... 25-01

[52] U.S. Cl. .... D25/113

[58] Field of Search ..... D25/113-115, D25/118; 404/19, 20, 34, 35, 41; 52/596, 604-606, 608

### [56] References Cited

#### U.S. PATENT DOCUMENTS

2,111,003	3/1938	Petty	.....	52/608
3,466,986	9/1969	Biller	.....	404/41
4,544,305	10/1985	Hair	.....	404/34
5,108,219	4/1992	Hair	.....	404/31
5,201,843	4/1993	Hair	.....	404/41

#### OTHER PUBLICATIONS

Symetry® Architectural Interlocking Paving Stone, brochure, F. F. Kirchner, Inc. (undated).

Holland-Stone™, brochure, ©1989 Uni-Group U.S.A.

Uni-Stone®, brochure, ©1988 Uni-Group.  
Uni-Decor®, brochure, ©1988 Uni-Group U.S.A.  
Charisma®, brochure, FS Naether Lic. Inc. (undated).

Primary Examiner—B. J. Bullock  
Attorney, Agent, or Firm—Grace J. Fishel

### [57] CLAIM

The ornamental design for an interlocking paving stone, as shown and described.

### DESCRIPTION

FIG. 1 is a perspective view of an interlocking paving stone showing my new design, the stone being shown broken away to indicate indeterminate thickness and the symbol for concrete which is partially shown is understood to repeat across the entire stone;

FIG. 2 is a top view of my design as viewed in FIG. 1 on a reduced scale;

FIG. 3 is a top view as viewed in FIG. 1;

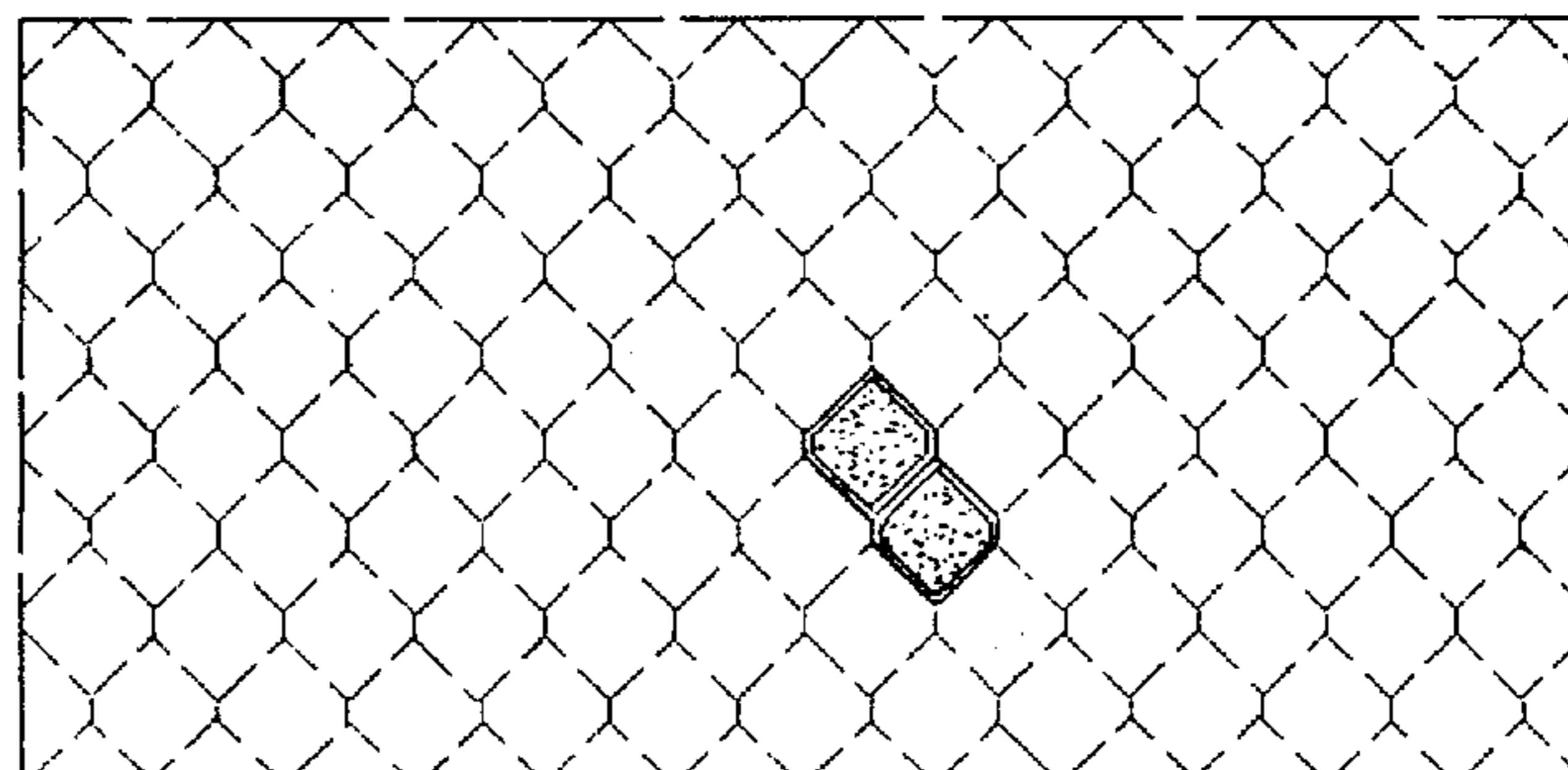
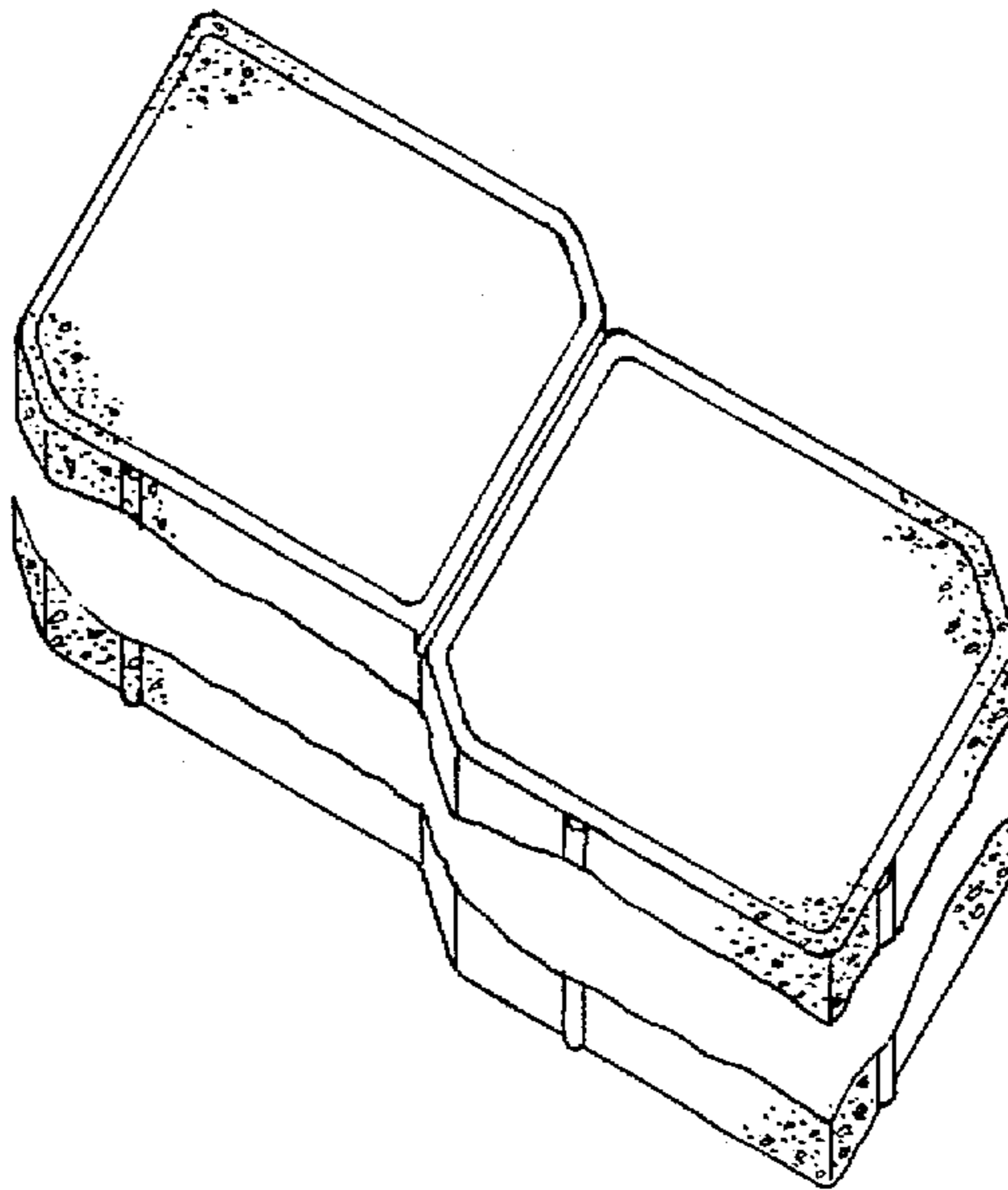
FIG. 4 is a bottom view thereof;

FIG. 5 is a front view thereof; and,

FIG. 6 is a side view thereof.

The pattern shown in broken lines in FIG. 2 denotes one possible installation arrangement and is not part of the design.

1 Claim, 2 Drawing Sheets



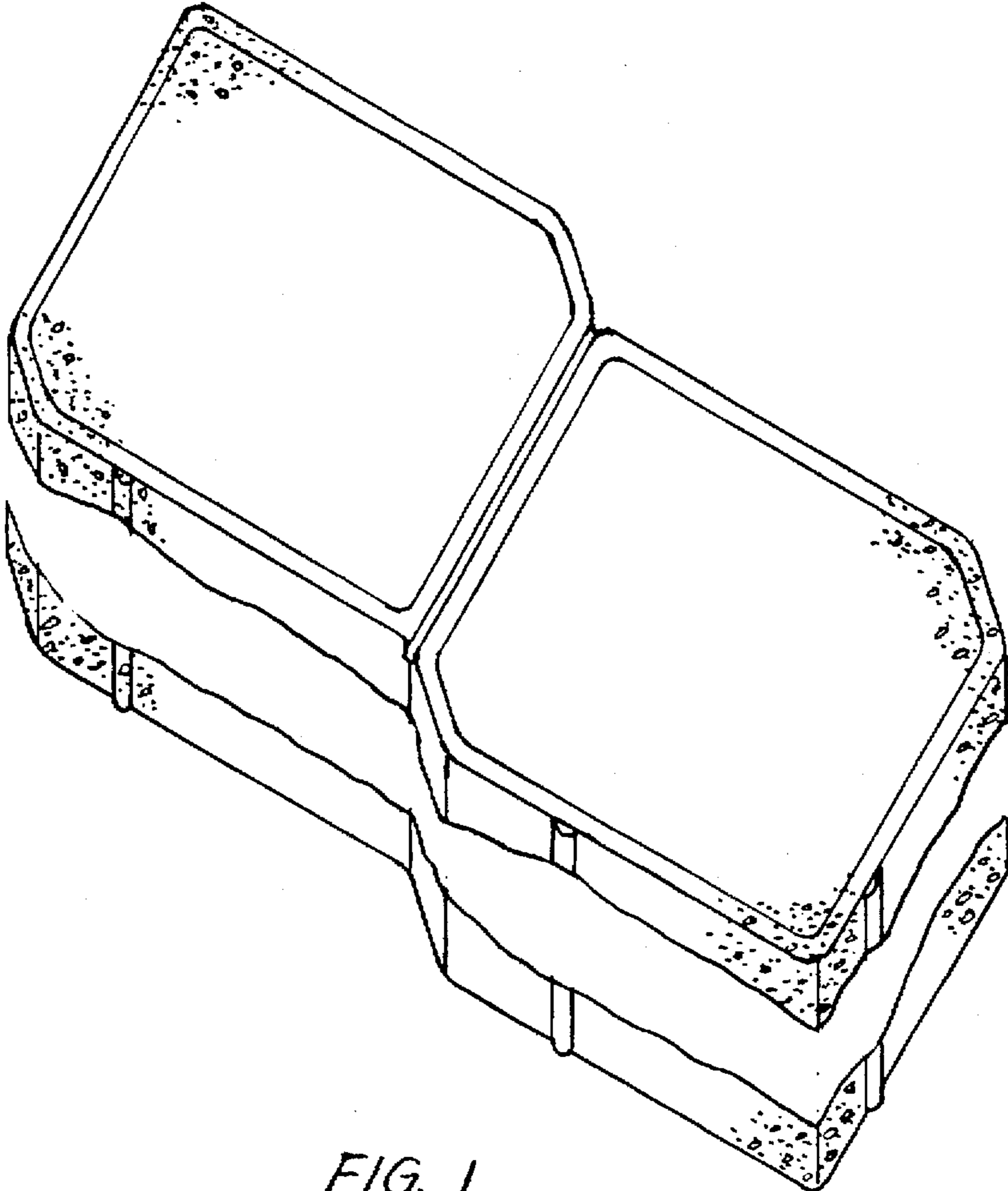


FIG. 1

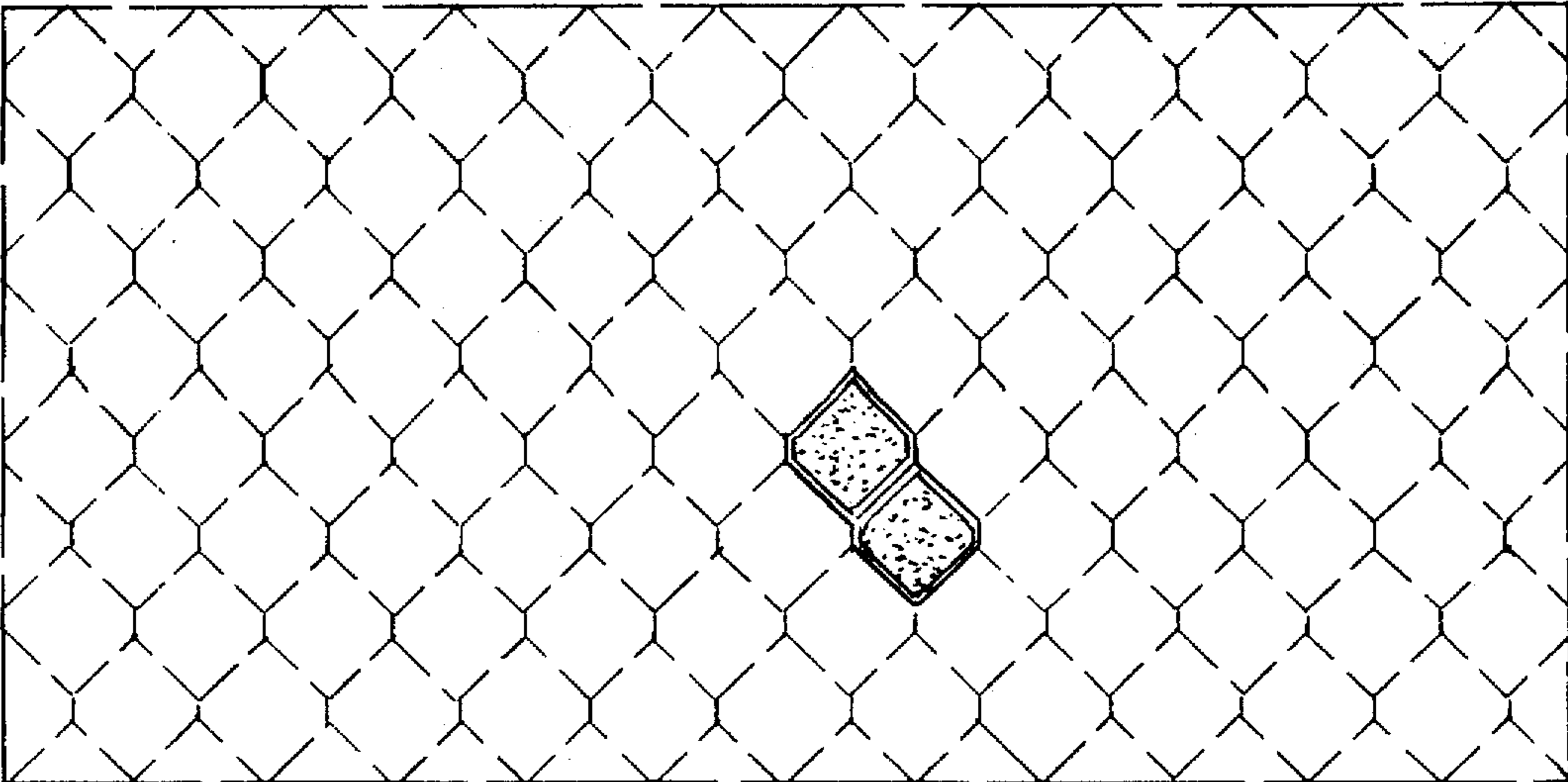


FIG. 2

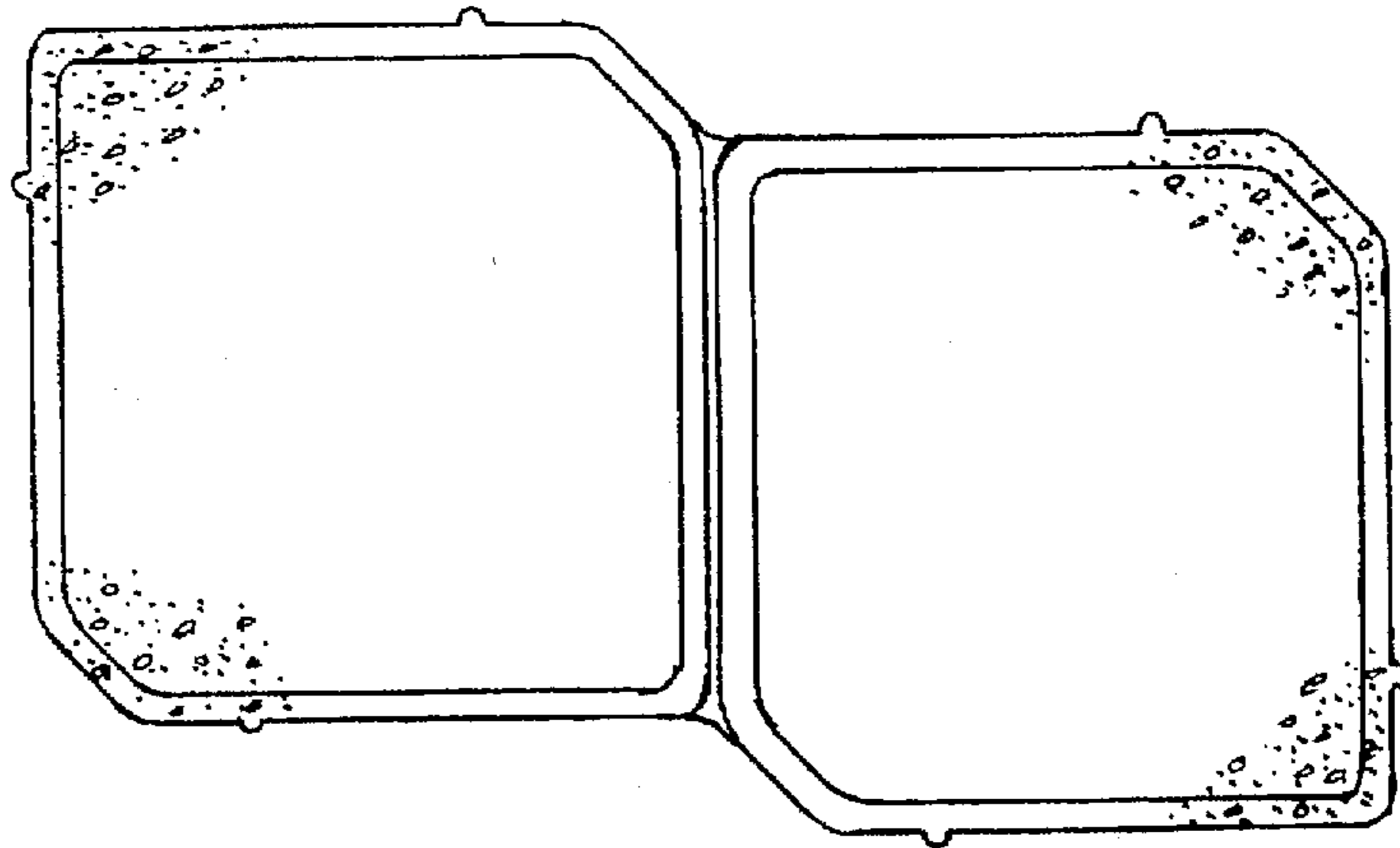


FIG. 3

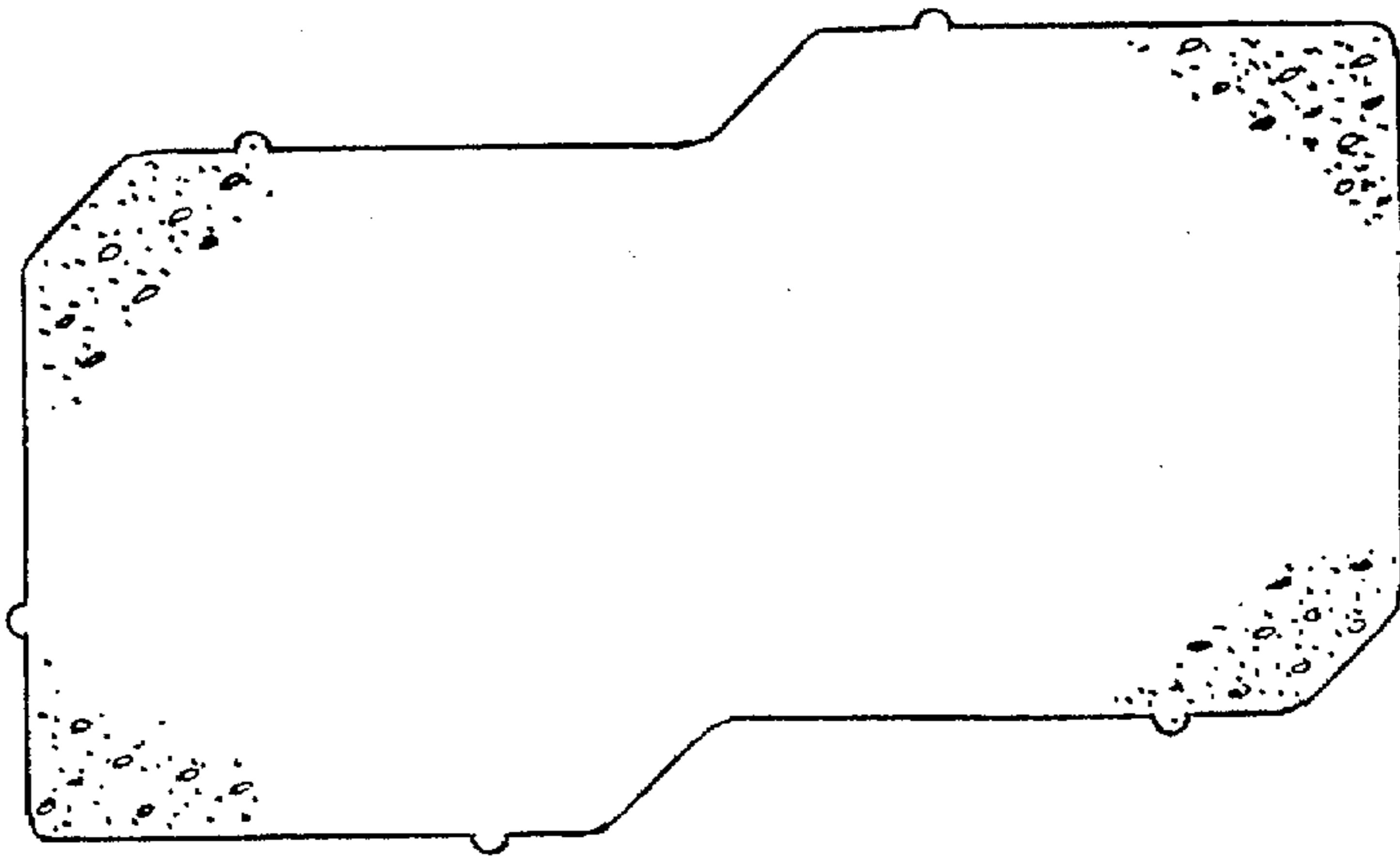


FIG. 4

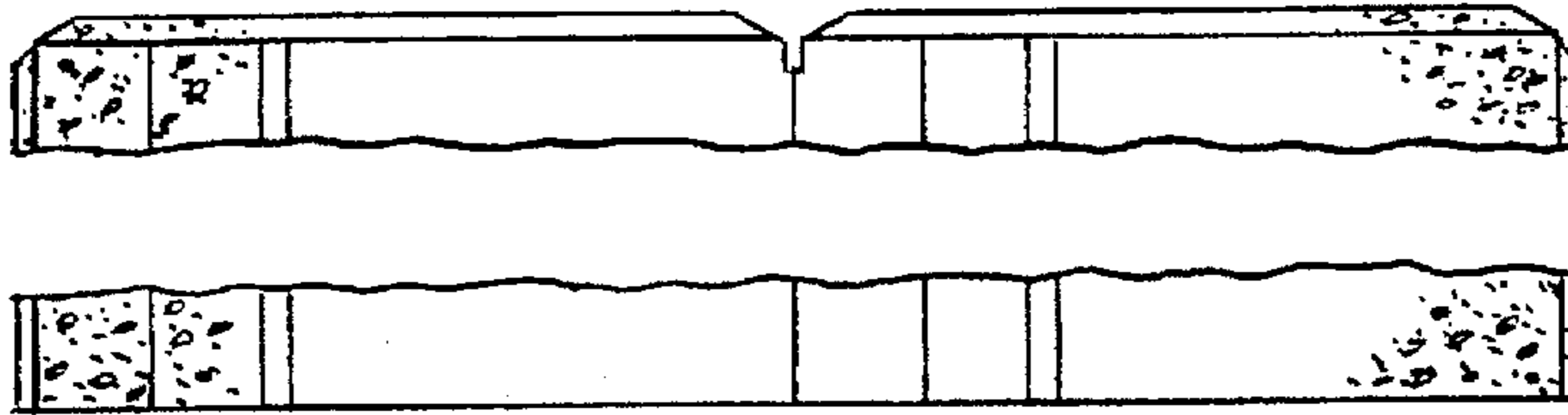


FIG. 5

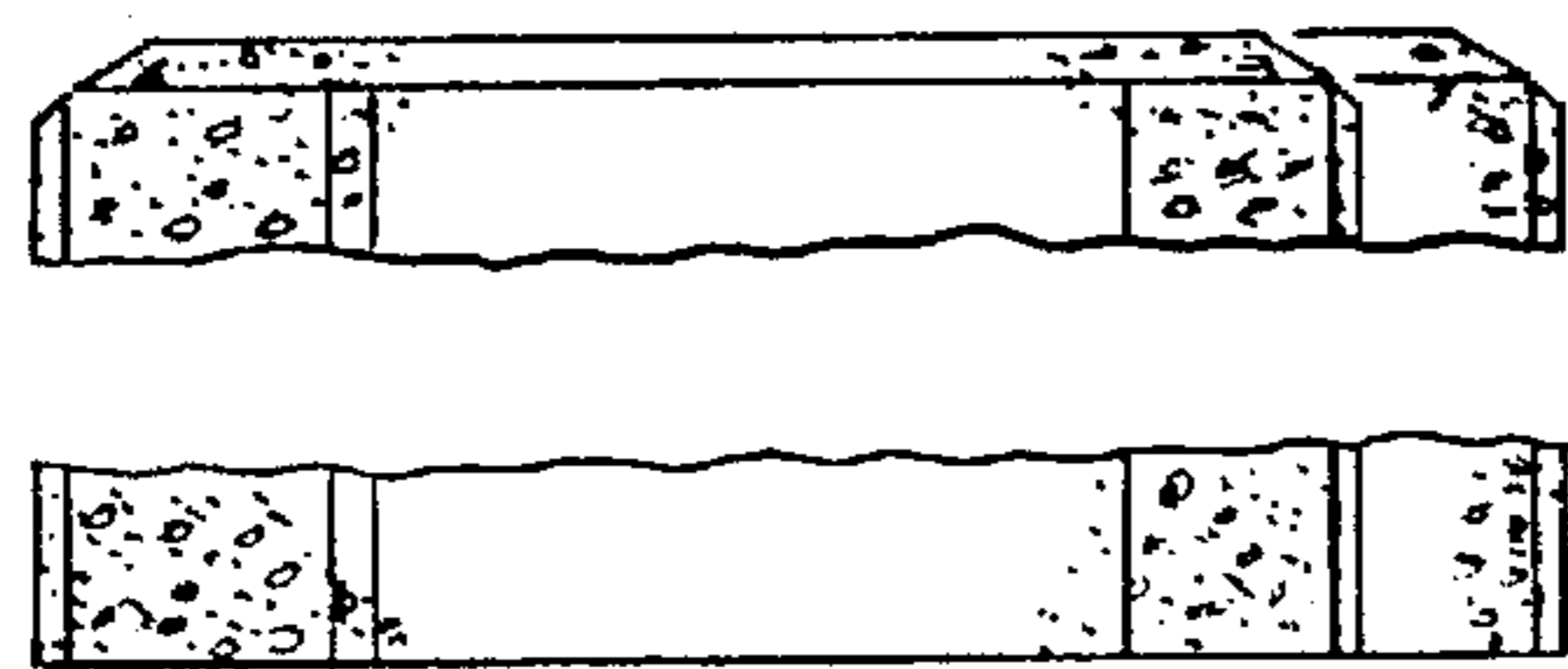


FIG. 6