



US00D393720S

United States Patent [19]
Chien

[11] **Patent Number: Des. 393,720**

[45] **Date of Patent: **Apr. 21, 1998**

[54] **FOOT MASSAGER**

4,347,838 9/1982 McCauley 601/136 X
5,005,560 4/1991 Quam et al. 601/113

[76] **Inventor: Kuo-Ching Chien**, No. 7 Lane 74
Gong 5 Road, Lung Tan Hsiang,
Taoyuan Hsien, Taiwan

Primary Examiner—Stella Reid
Attorney, Agent, or Firm—Johnson, Smith, Pence,
Densborn, Wright & Heath

[**] **Term: 14 Years**

[57] **CLAIM**

[21] **Appl. No.: 68,587**

The ornamental design for a foot massager, as shown and described.

[22] **Filed: Mar. 11, 1997**

DESCRIPTION

[51] **LOC (6) Cl. 24-04**

[52] **U.S. Cl. D24/212**

[58] **Field of Search** D24/211, 212,
D24/213; 601/27, 28, 29, 32, 113, 115,
118, 122, 128, 131, 134, 136

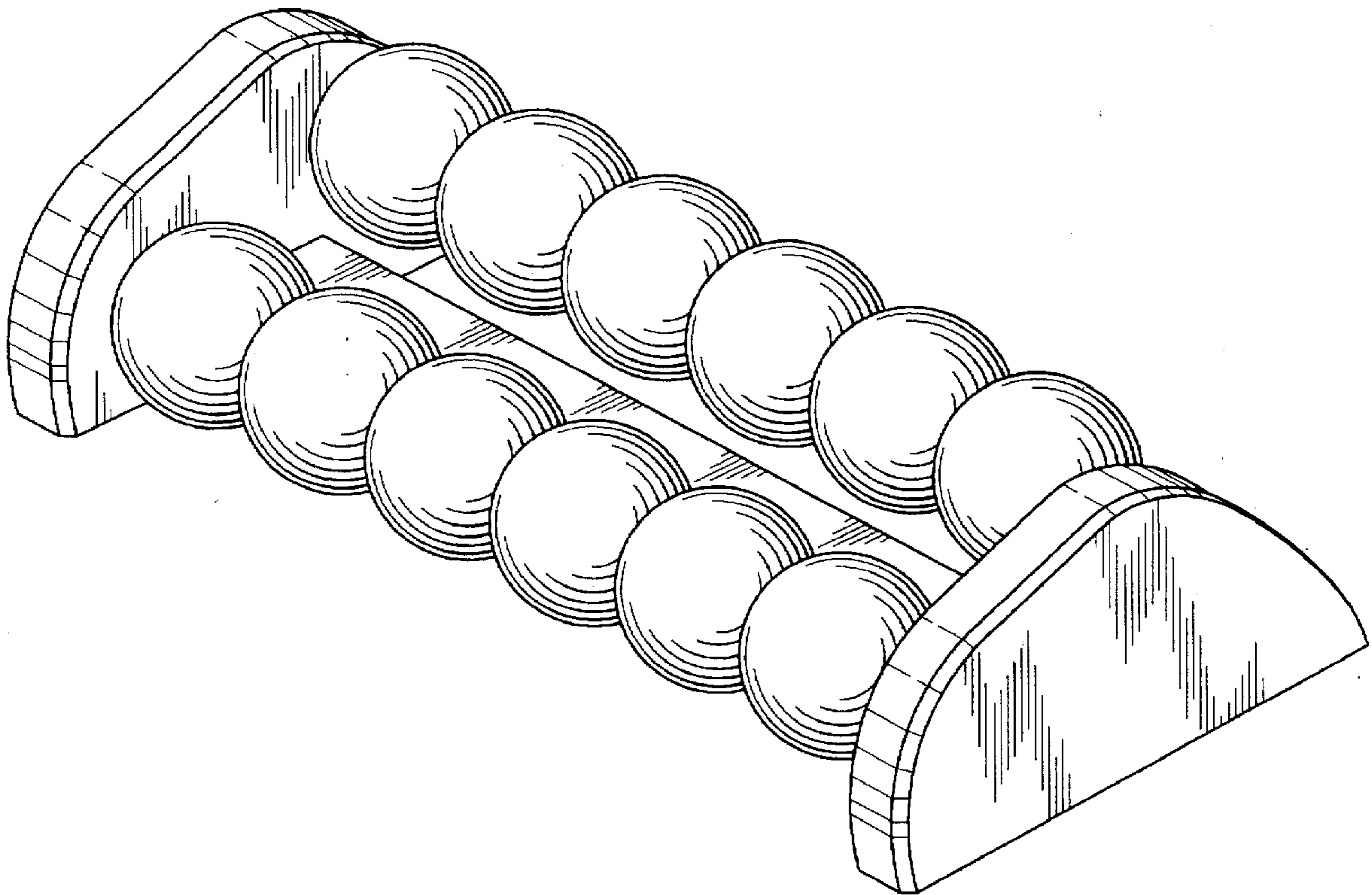
FIG. 1 is a top, front and right side perspective view of the foot massager showing my new design;
FIG. 2 is a front view of the foot massager;
FIG. 3 is a rear view of the foot massager;
FIG. 4 is a right side view of the foot massager, the left side view being identical thereof;
FIG. 5 is a top view of the foot massager; and,
FIG. 6 is a bottom view of the foot massager.

[56] **References Cited**

U.S. PATENT DOCUMENTS

D. 242,826 12/1976 Posh et al. D24/212
D. 253,967 1/1980 Miyadai D24/212

1 Claim, 3 Drawing Sheets



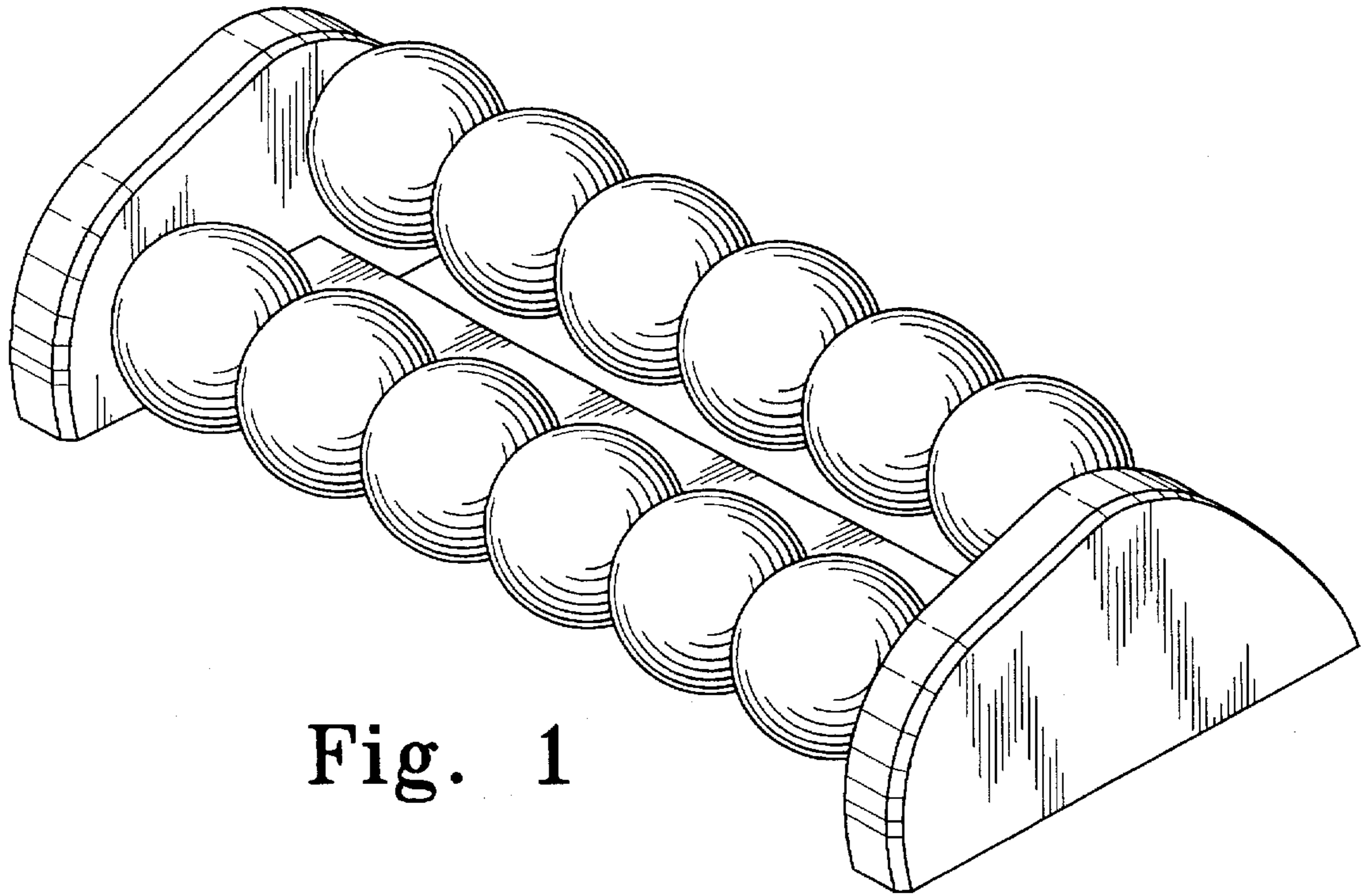


Fig. 1

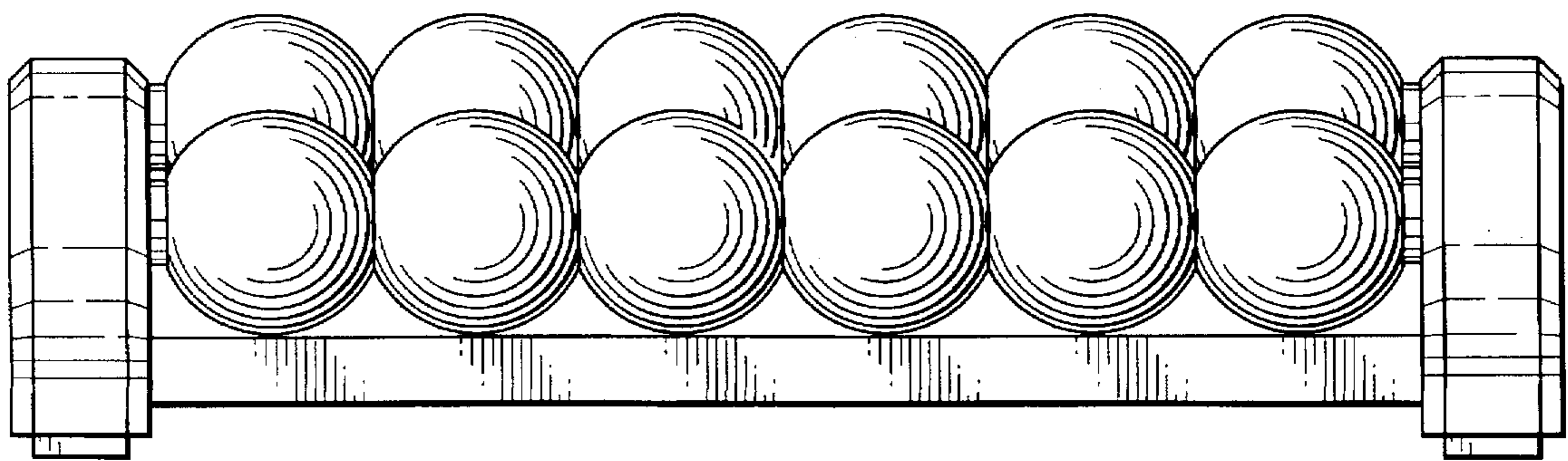


Fig. 2

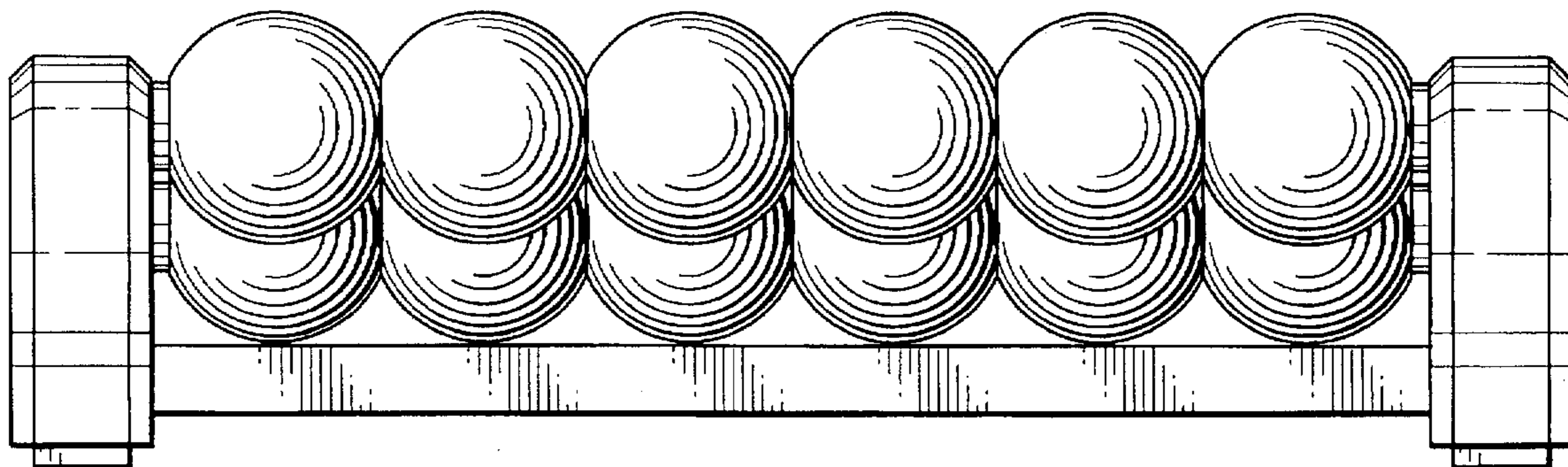


Fig. 3

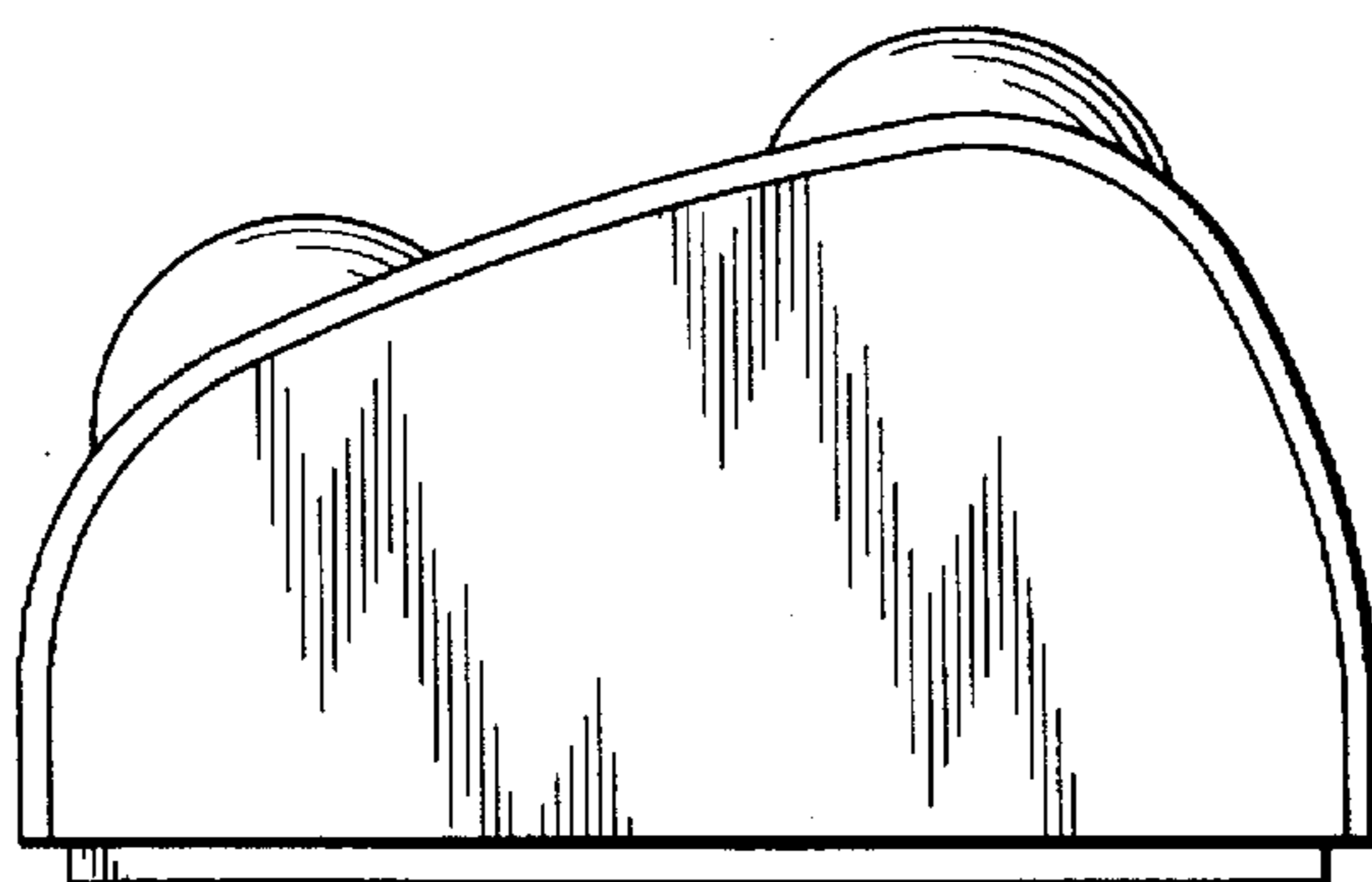


Fig. 4

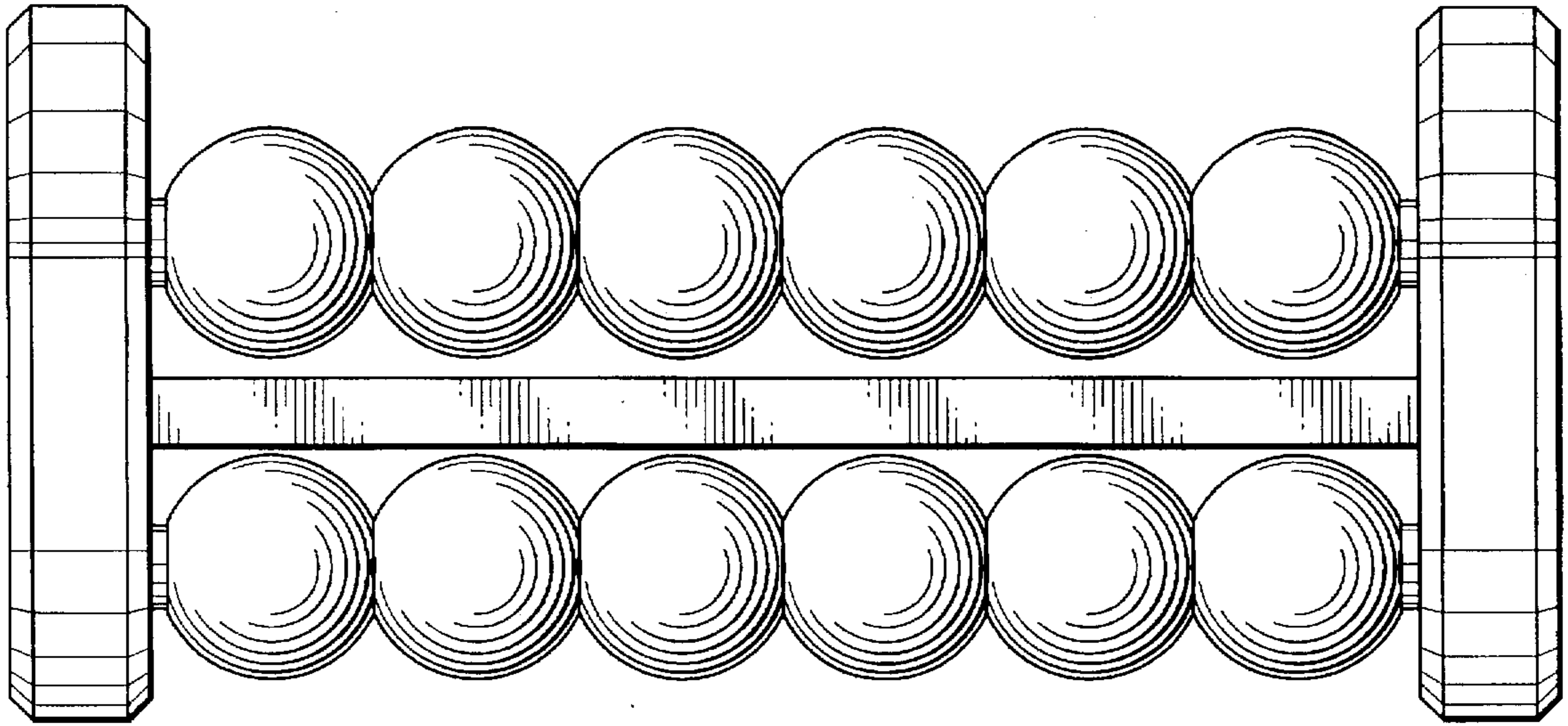


Fig. 5

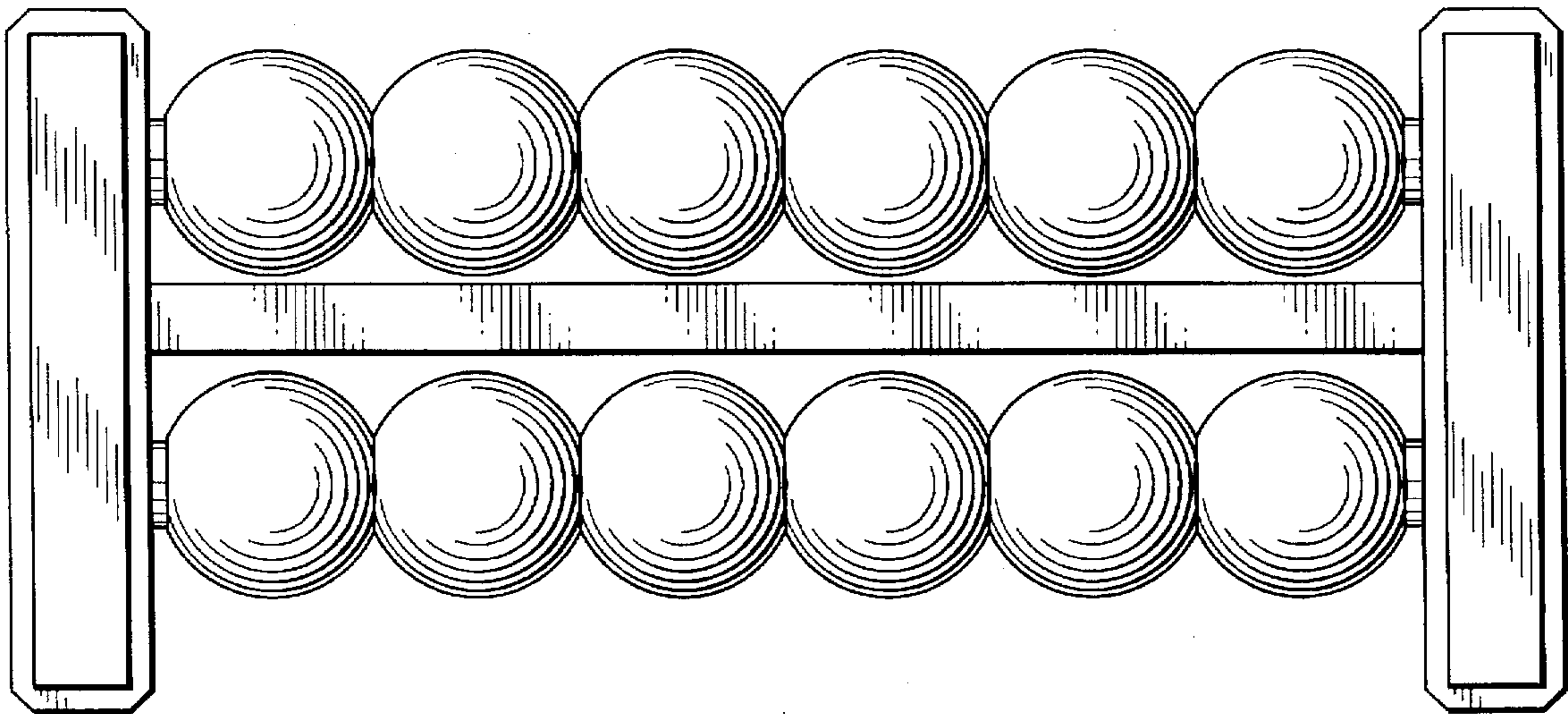


Fig. 6