



US00D393719S

United States Patent [19]

[11] Patent Number: **Des. 393,719**

Nichols

[45] Date of Patent: ****Apr. 21, 1998**

[54] **ICE PACK WRAP FOR TREATMENT OF INJURIES**

4,645,498 2/1987 Kosak 607/112

[76] Inventor: **Douglas F. Nichols**, 5705 N. Delaware Ave., Portland, Oreg. 97217

Primary Examiner—Stella Reid

[**] Term: **14 Years**

[57] **CLAIM**

The ornamental design for an ice pack wrap for treatment of injuries, as shown and described.

[21] Appl. No.: **23,995**

DESCRIPTION

[22] Filed: **Jun. 6, 1994**

FIG. 1 is a top plan view of an ice pack wrap for treatment of injuries, showing my new design, with the bag portion in compressed condition;

[51] LOC (6) Cl. **24-04**

[52] U.S. Cl. **D24/207; D24/206**

FIG. 2 is a top plan view thereof, with the bag portion in expanded condition;

[58] Field of Search **D24/207, 206;**

607/108, 111, 112, 114, 104

FIG. 3 is a front elevational view thereof;

FIG. 4 is a bottom plan view thereof;

FIG. 5 is a rear elevational view thereof;

FIG. 6 is a right side elevational view thereof, the left side elevational view being a mirror image thereof; and,

FIG. 7 is a perspective view thereof; in use condition.

[56] **References Cited**

U.S. PATENT DOCUMENTS

- D. 328,792 8/1992 Salmon et al. D24/207
- D. 344,590 2/1994 Greene D24/207
- 4,556,055 12/1985 Bonner, Jr. D24/206 X
- 4,628,932 12/1986 Tampa 607/108

1 Claim, 2 Drawing Sheets

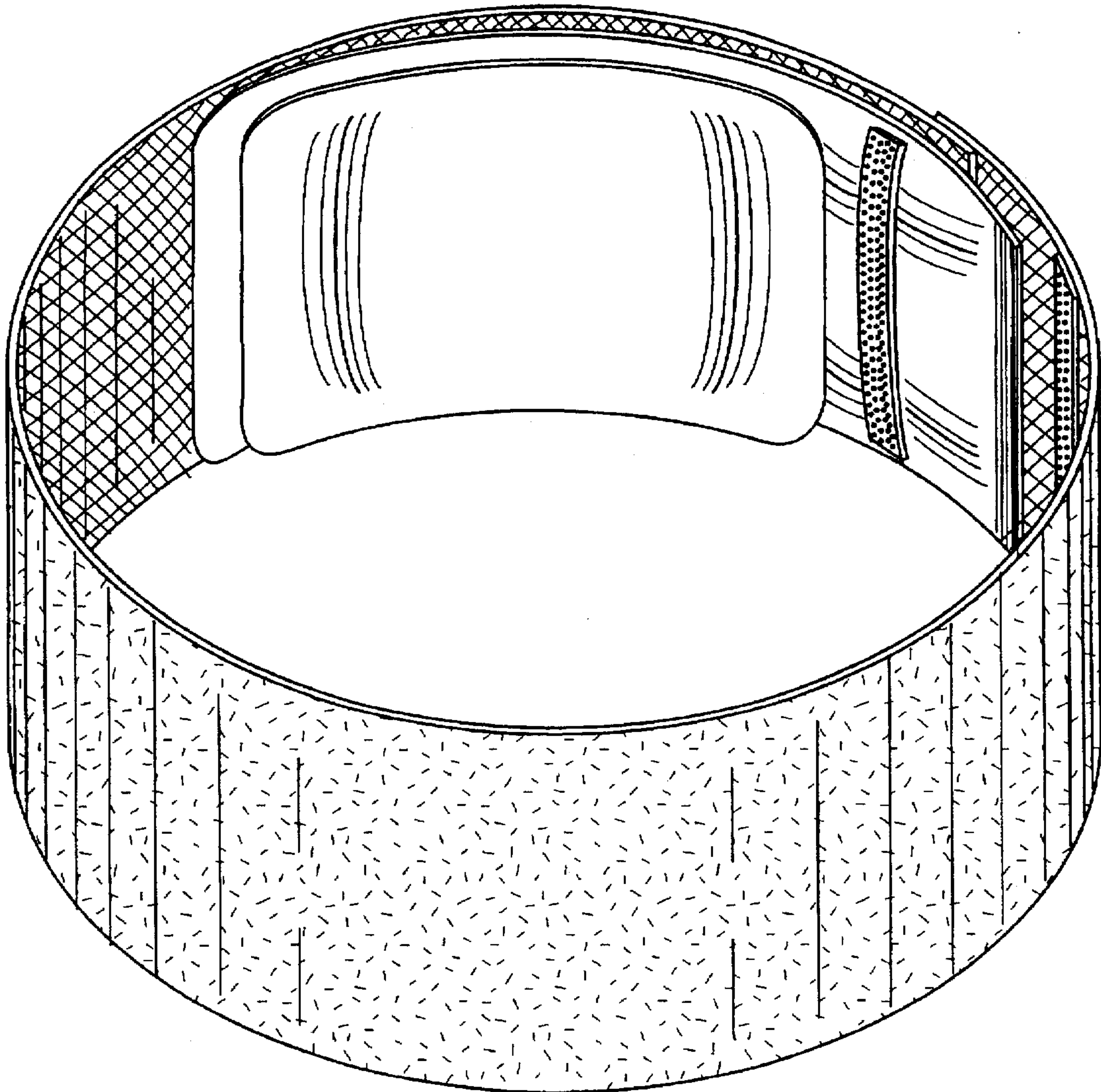




FIG. 1

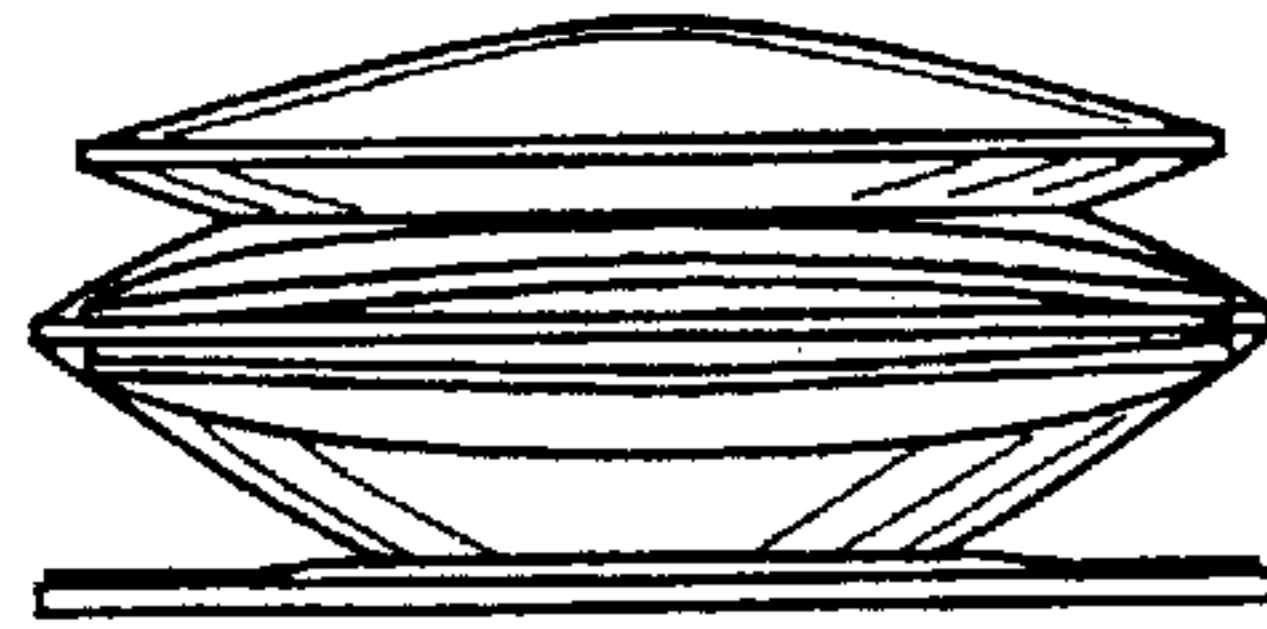


FIG. 2

FIG. 3

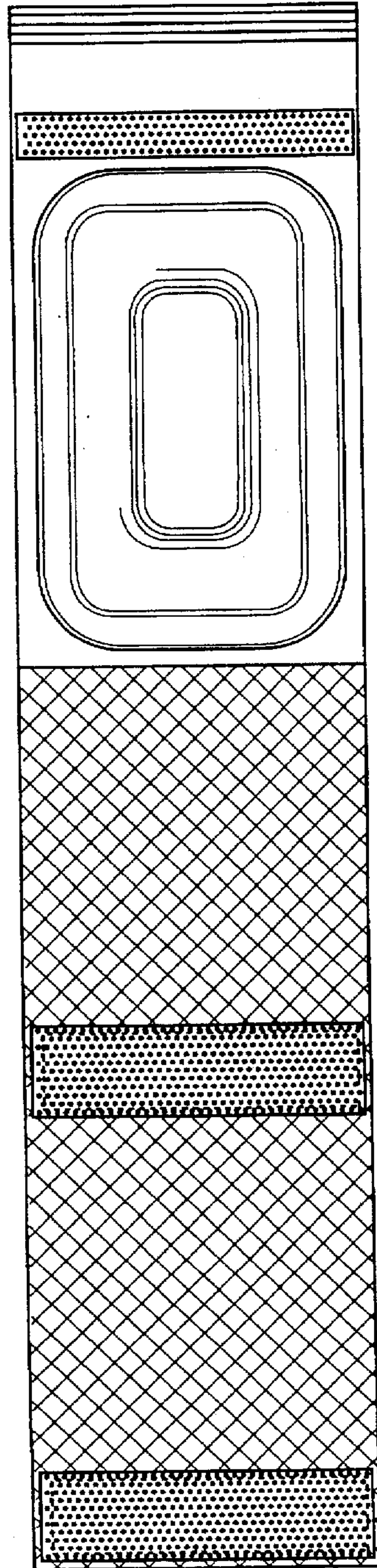


FIG. 6

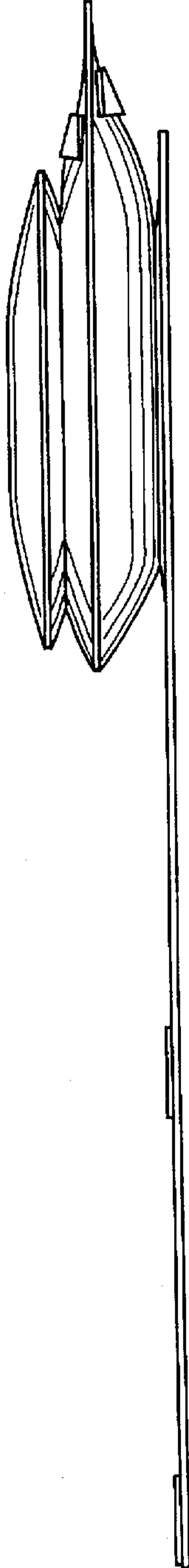


FIG. 4

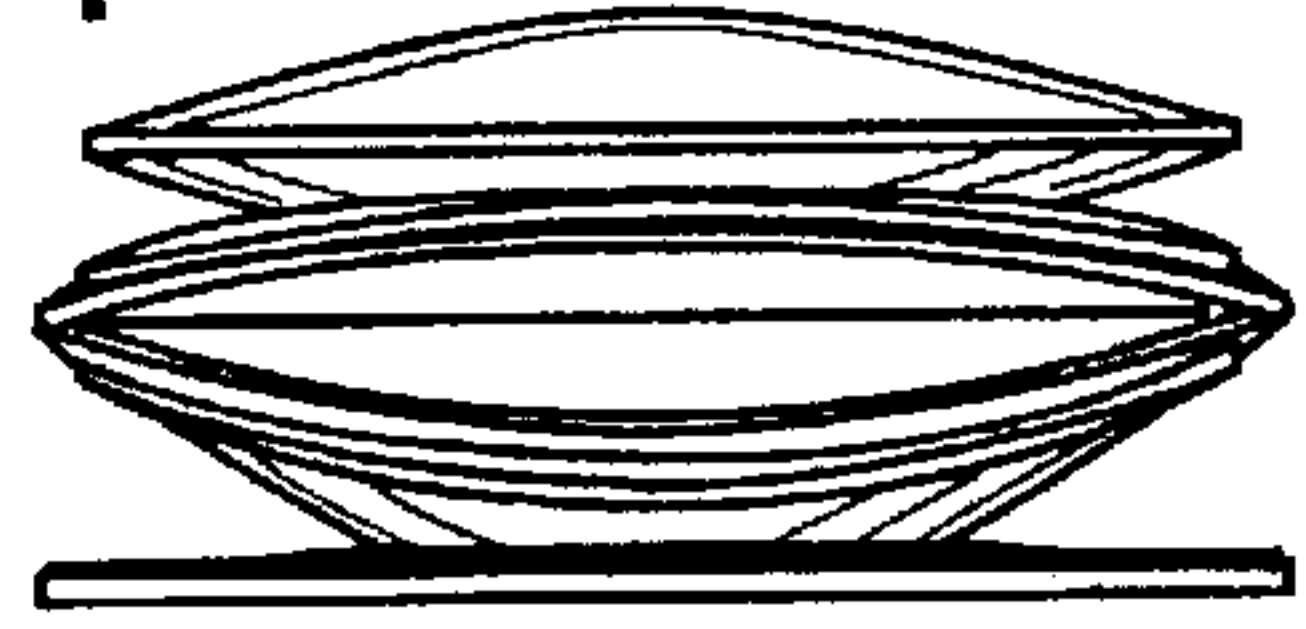


FIG. 5

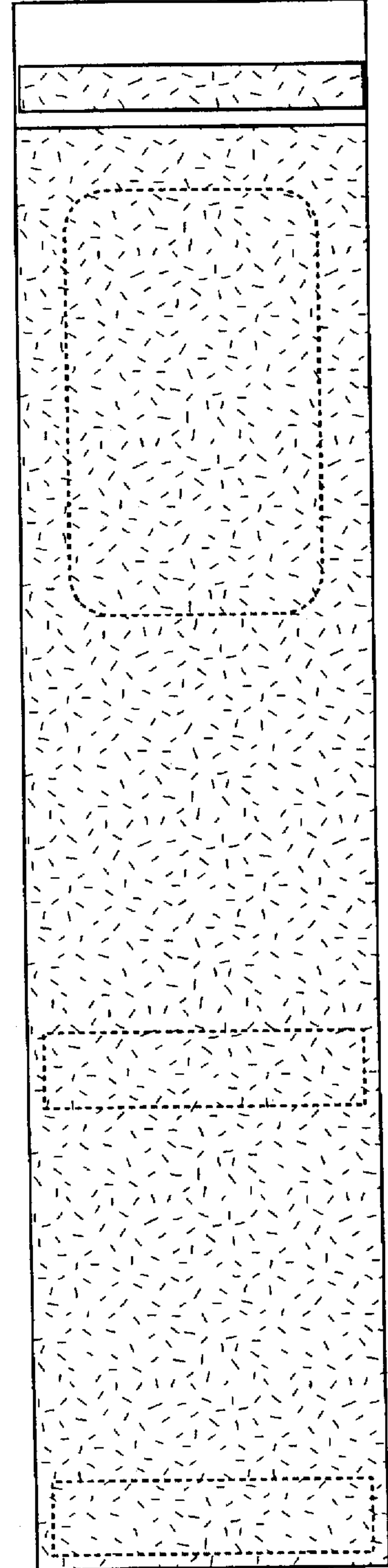


FIG. 7

