



US00D393709S

# United States Patent [19]

[11] Patent Number: Des. 393,709

Nishizawa

[45] Date of Patent: \*\*Apr. 21, 1998

[54] AIR DUCT

Attorney, Agent, or Firm—Koda and Androlia

[75] Inventor: Keisuke Nishizawa, San Marino, Calif.

[57] CLAIM

[73] Assignee: Seiho International, Inc., Pasadena, Calif.

The ornamental design for an air duct, as shown and described.

[\*\*] Term: 14 Years

### DESCRIPTION

[21] Appl. No.: 54,235

FIG. 1 is a perspective view taken from the front, top and right side of the air duct showing my new design;

[22] Filed: May 10, 1996

FIG. 2 is a top view thereof;

[51] LOC (6) Cl. .... 23-04

FIG. 3 is a bottom view thereof;

[52] U.S. Cl. .... D23/390; D23/382; D23/391

FIG. 4 is a front elevational view thereof, the rear elevational view being a mirror image to the front elevational view;

[58] Field of Search ..... D23/382, 393, D23/387, 388, 390, 260, 259, 266, 262; 138/DIG. 4, 39, 114; 454/286, 300, 305

FIG. 5 is a right side elevational view thereof, the left side elevational view being a mirror image to the right side elevational view; and,

[56] References Cited

FIG. 6 is a top plan view thereof with the small diameter cylinder inside the air duct turned 90 degrees;

#### U.S. PATENT DOCUMENTS

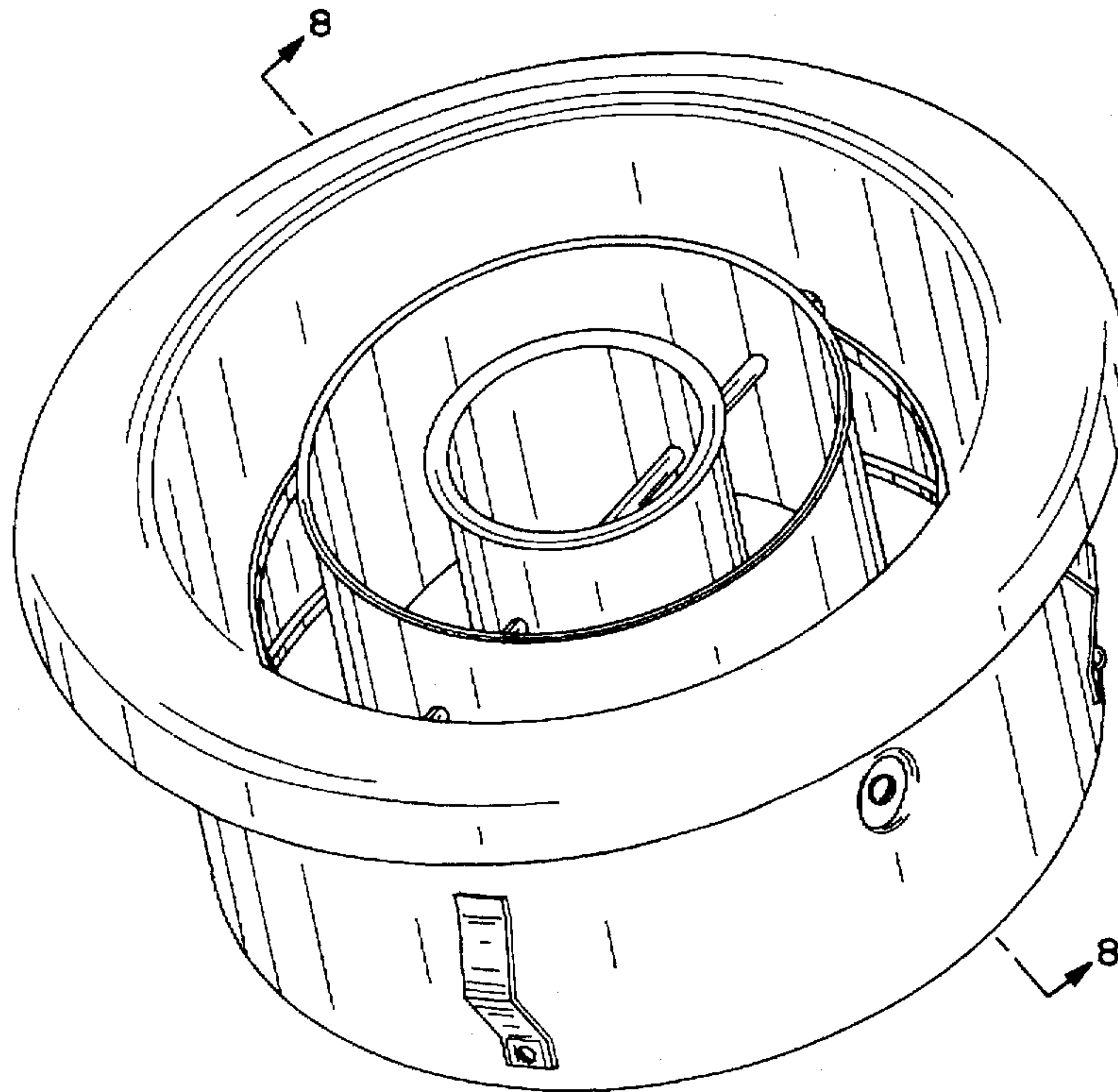
2,616,355	11/1952	McCabe et al.	.....	D23/390
4,241,789	12/1980	Frosh	.....	138/114
5,211,605	5/1993	Shiga et al.	.....	454/300

FIG. 7 is a top plan view thereof with the large diameter cylinder inside the air duct turned 90 degrees; and,

FIG. 8 is a vertical cross sectional front view of the air duct taken along line 8—8 in FIG. 1.

Primary Examiner—Lisa Lichtenstein

1 Claim, 7 Drawing Sheets



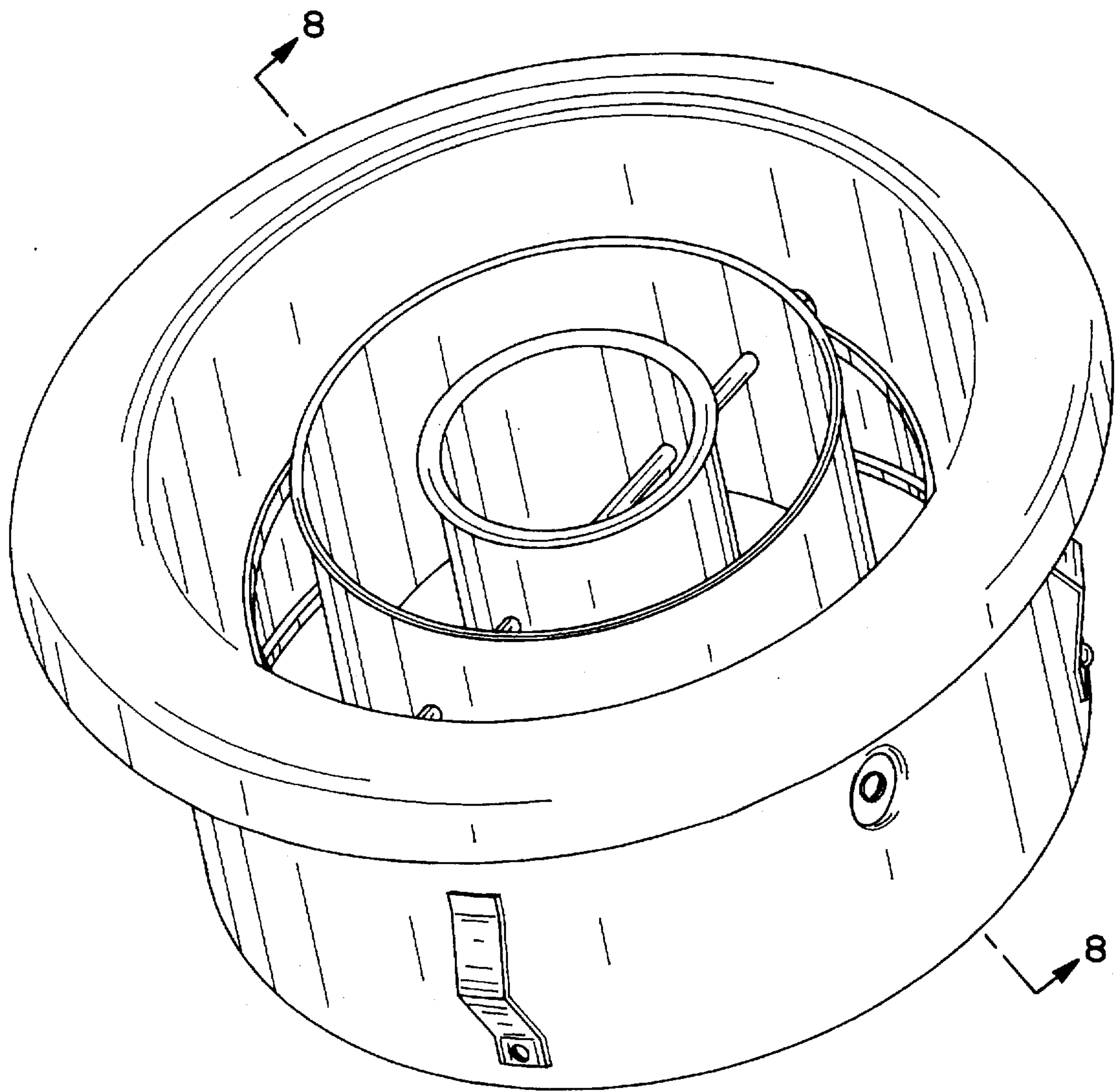


FIG. 1

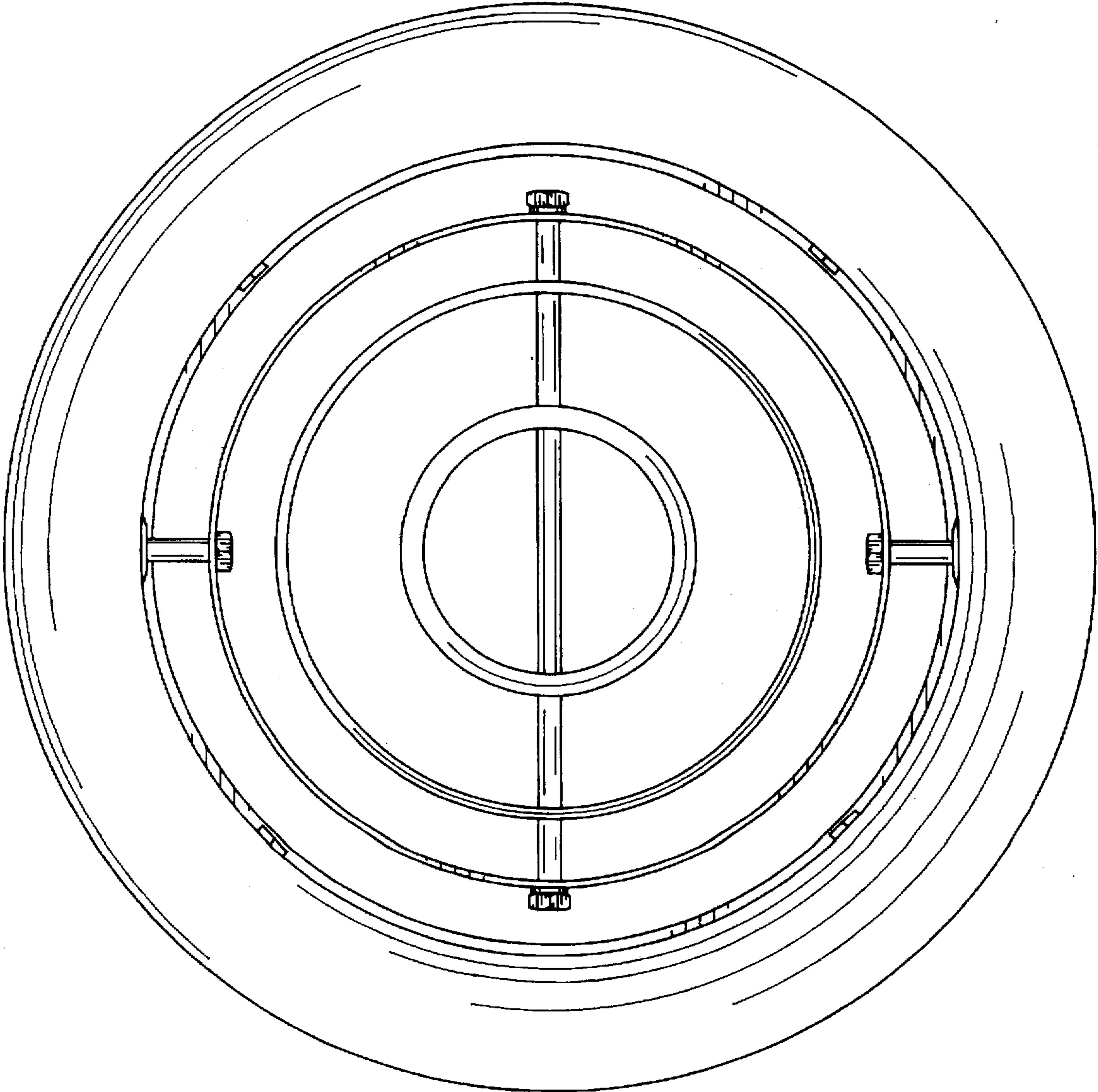


FIG. 2



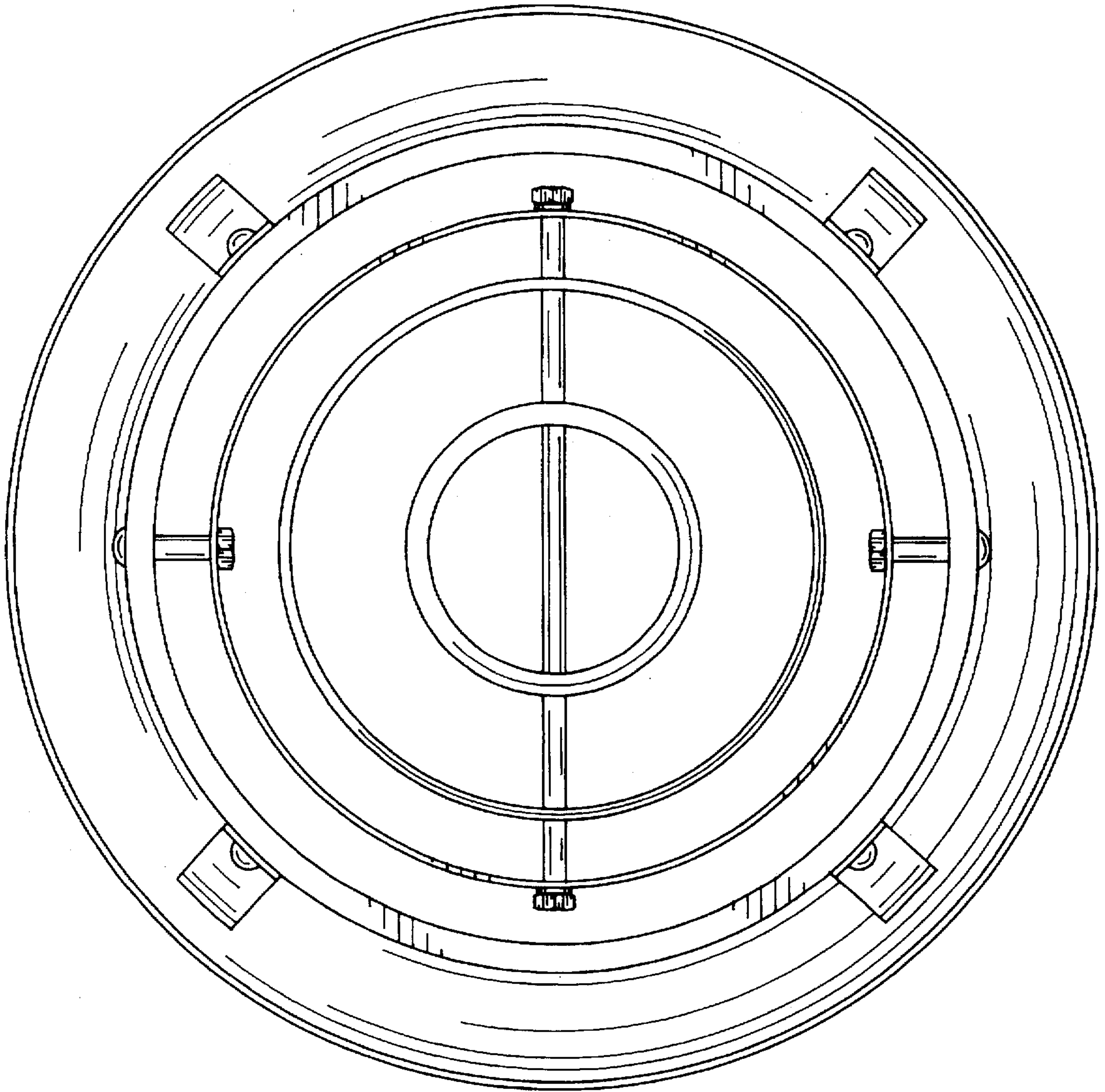


FIG. 3

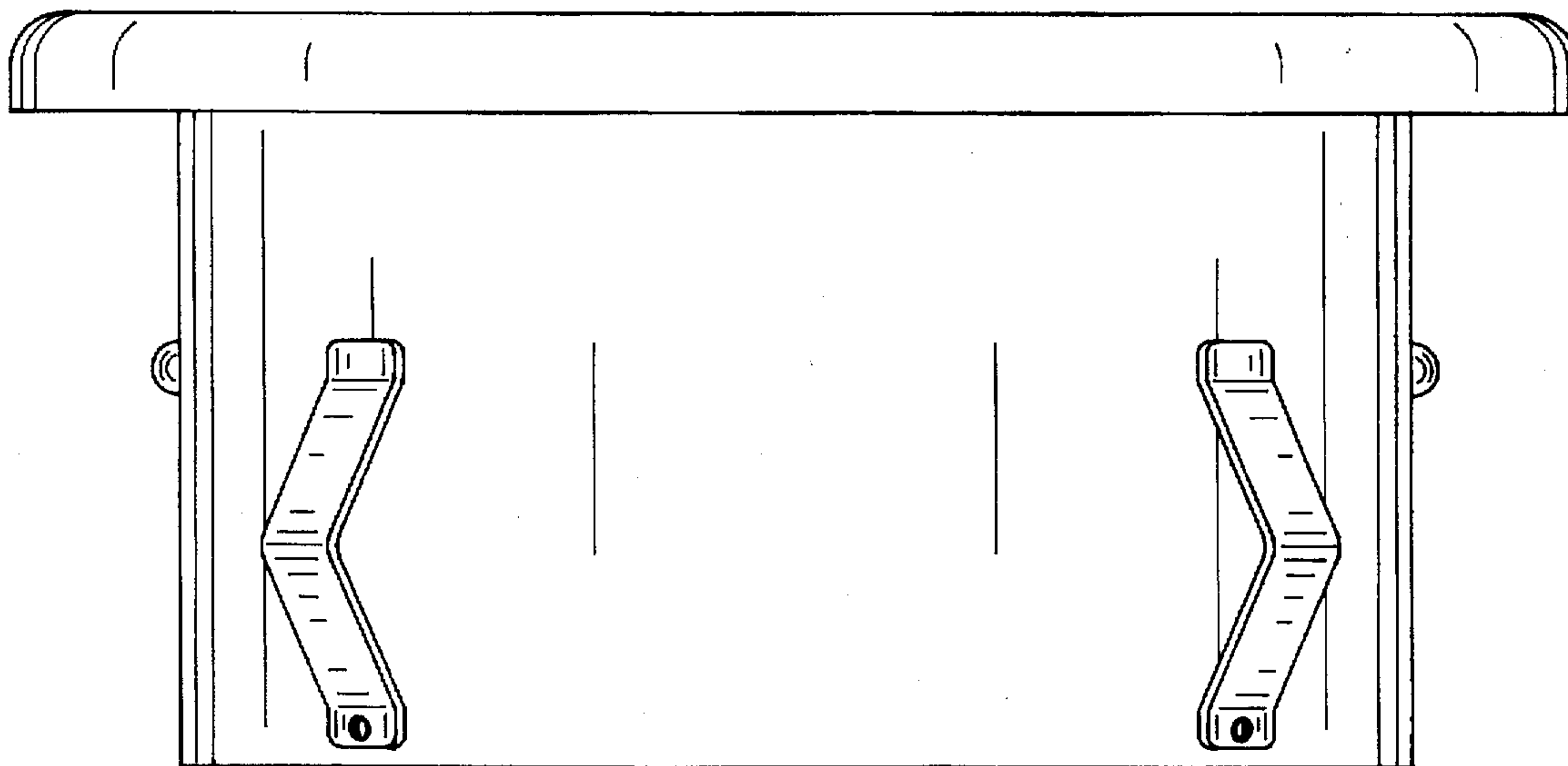


FIG. 4

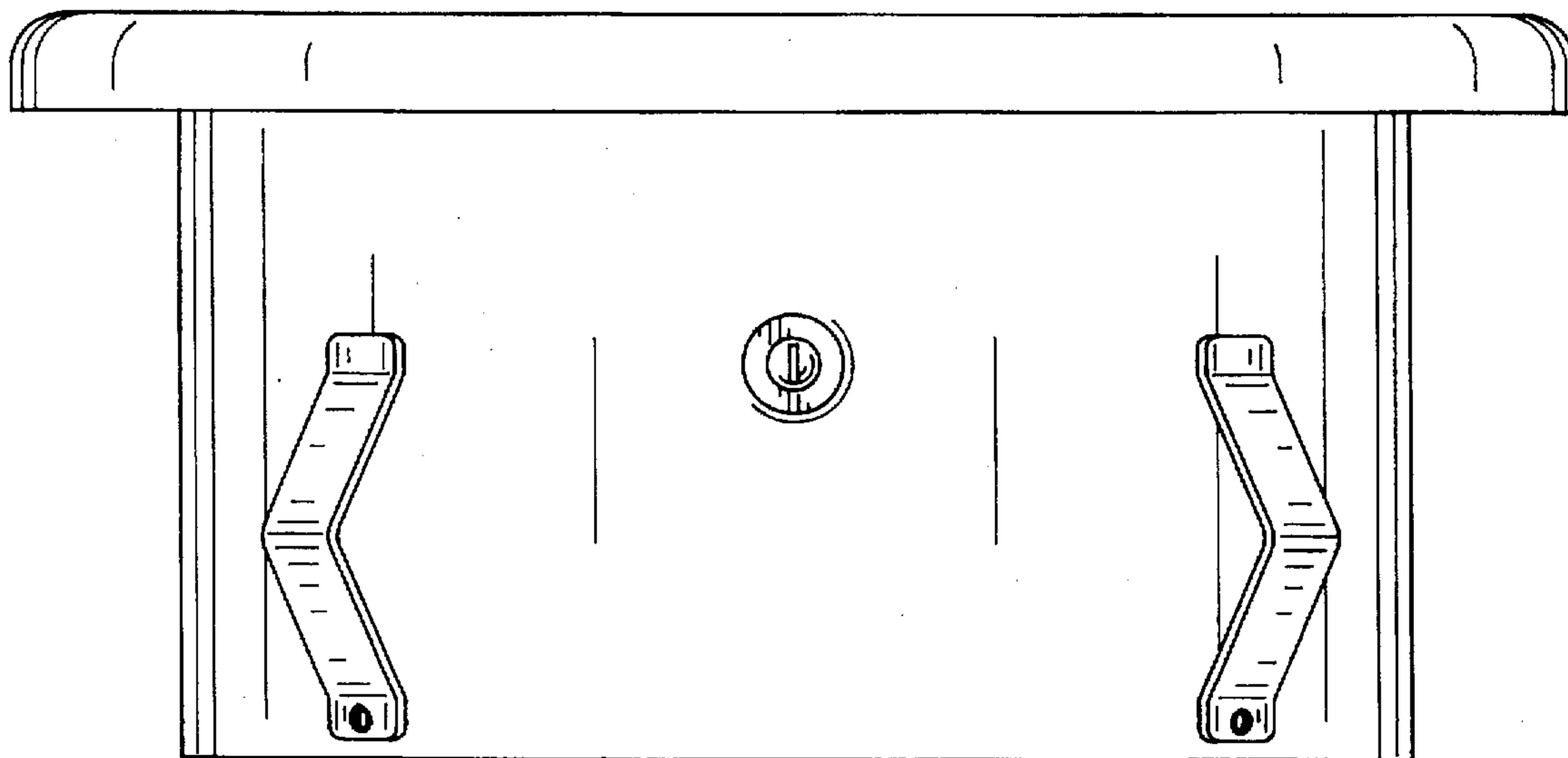


FIG. 5

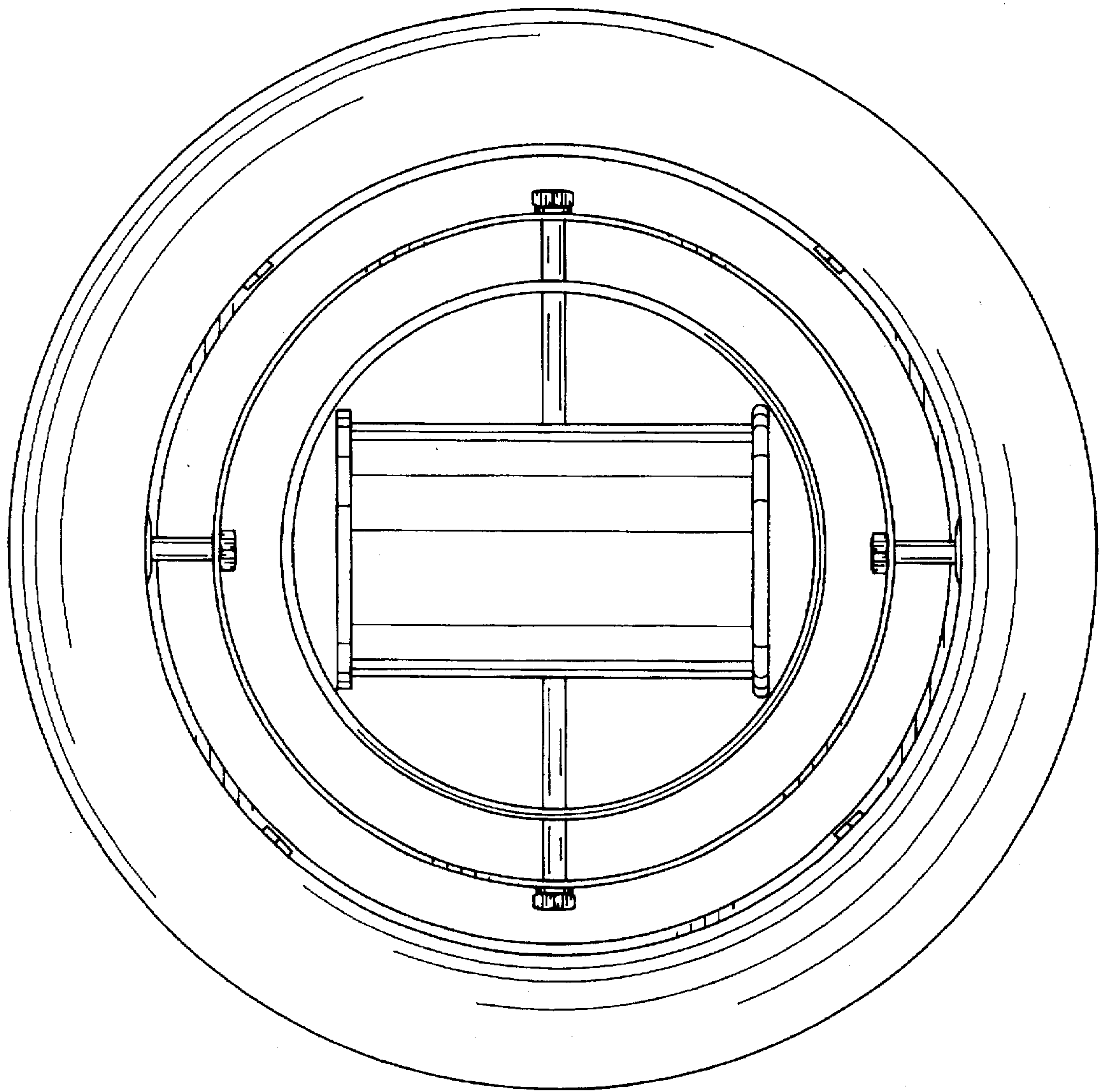


FIG. 6

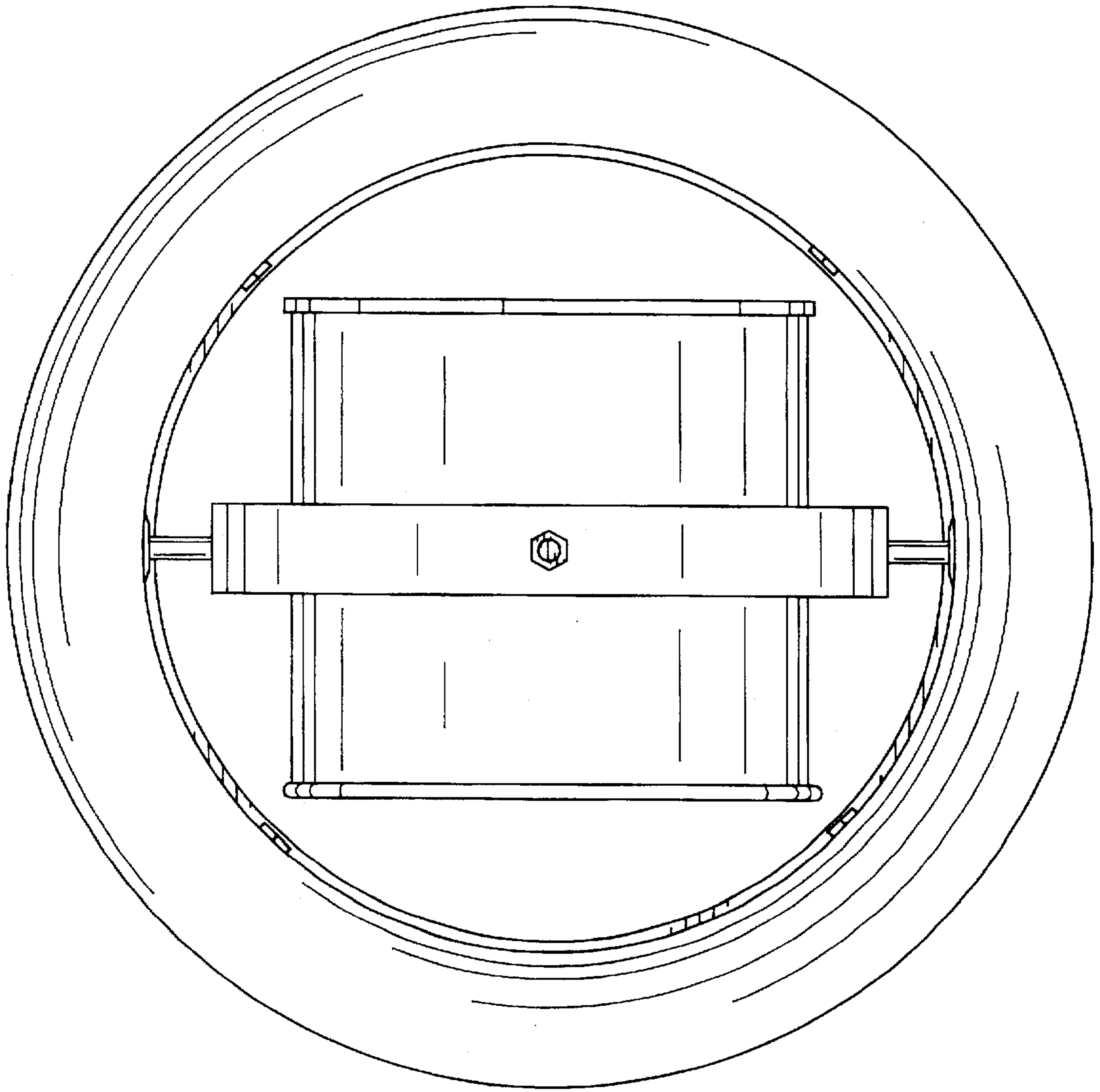


FIG. 7

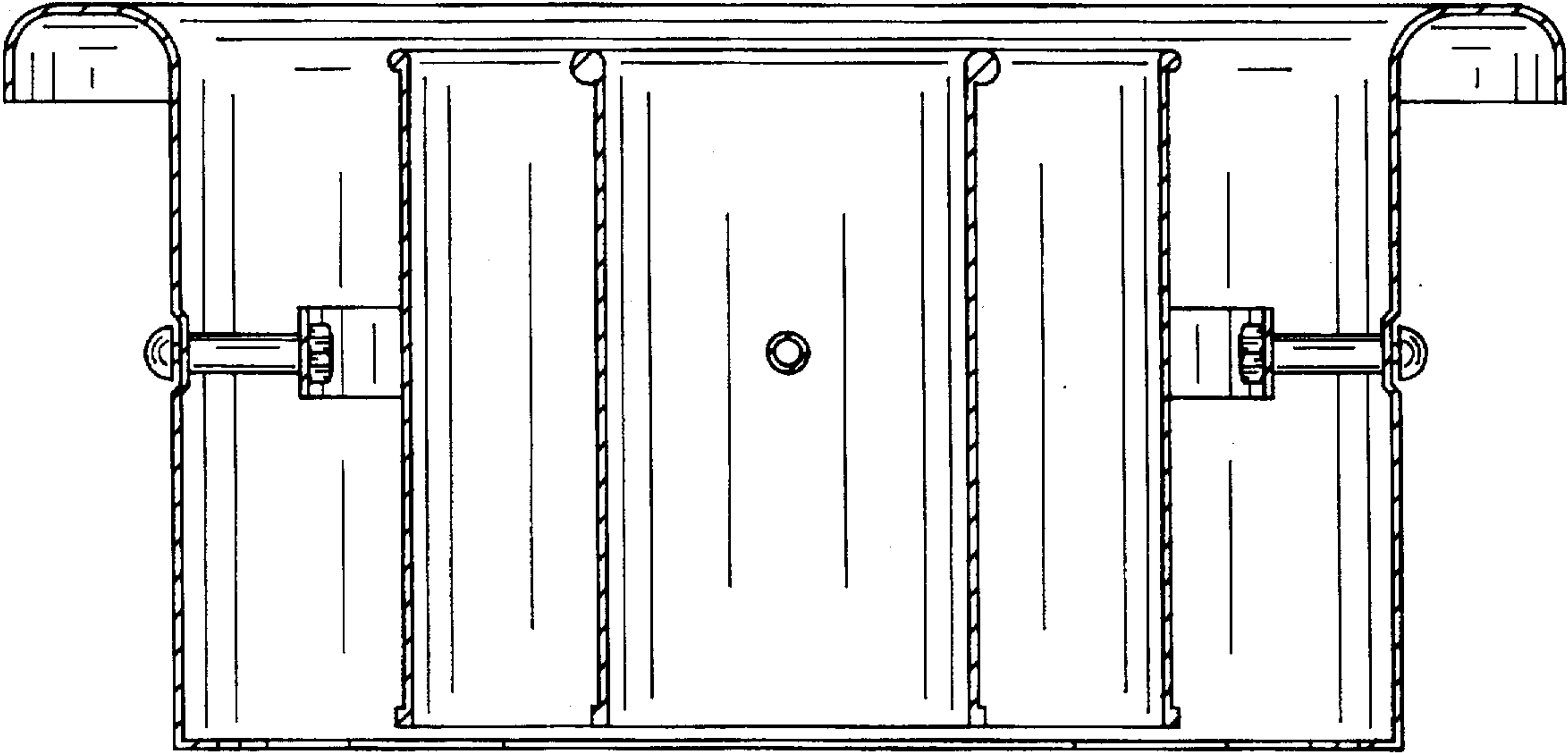


FIG. 8