



US00D393707S

United States Patent [19]

[11] Patent Number: **Des. 393,707**

Kelly

[45] Date of Patent: ****Apr. 21, 1998**

[54] **TRIM PLATE COVER FOR VENTILATION UNITS**

Attorney, Agent, or Firm—Dority & Manning, P.A.

[76] Inventor: **Timothy A. Kelly**, 801 Virginia Ave.,
Salem, Va. 24153

[57] **CLAIM**

The ornamental design for trim plate cover for ventilation units, as shown and described.

[**] Term: **14 Years**

DESCRIPTION

[21] Appl. No.: **55,691**

FIG. 1 is a perspective view of the trim plate cover for ventilation units, showing my new design;

[22] Filed: **Jun. 11, 1996**

FIG. 2 is an end view of the trim plate cover, the opposite end being a mirror image of that shown;

[51] LOC (6) Cl. **23-04**

FIG. 3 is a front view of the trim plate cover;

[52] U.S. Cl. **D23/373; D23/386**

FIG. 4 is a side view of the trim plate cover, the opposite side being a mirror image of that shown; and,

[58] Field of Search **D23/373, 386;**
454/145; D9/424, 432

FIG. 5 is a back view of the trim plate cover.

[56] **References Cited**

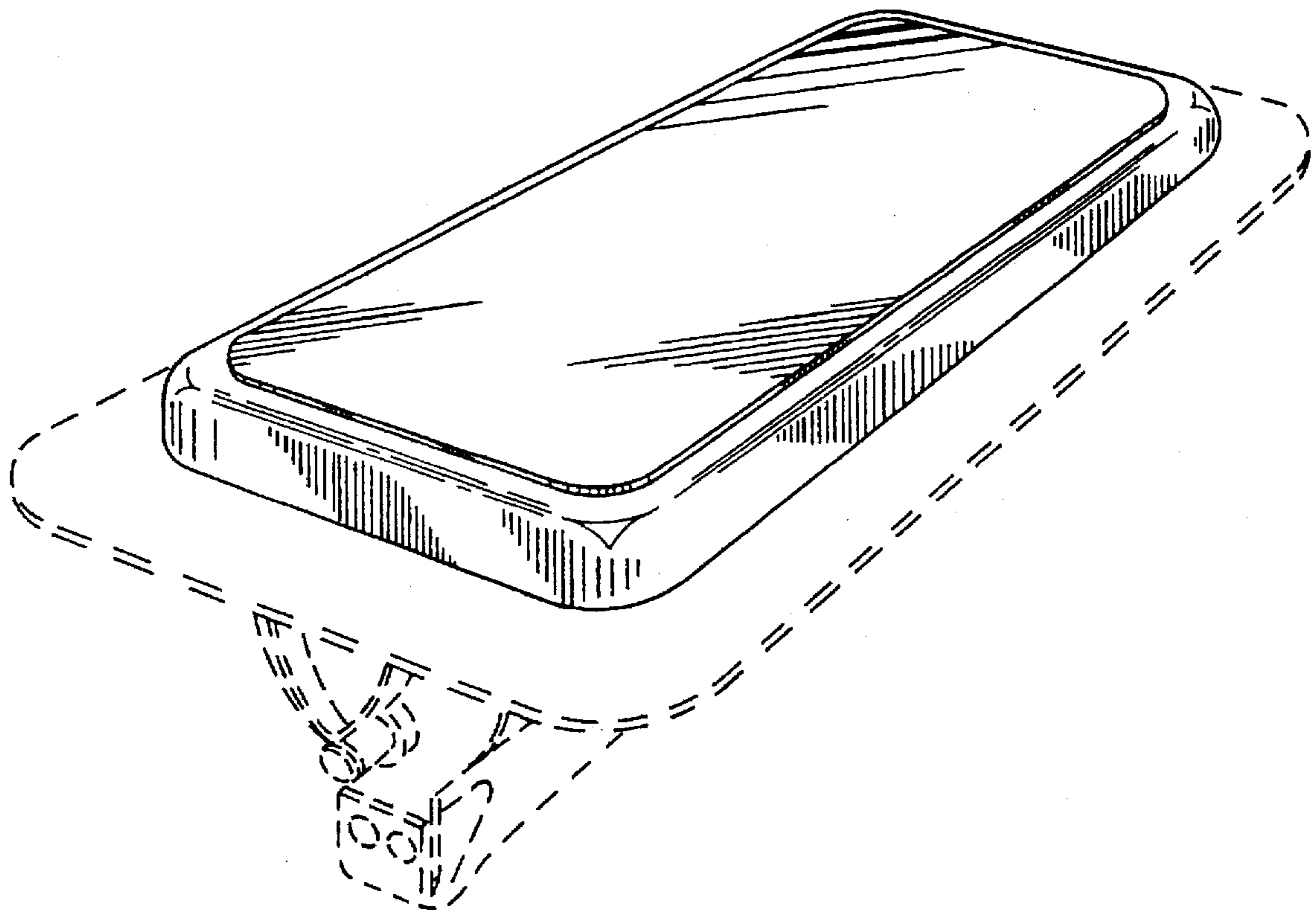
The broken line showing of environmental structure in FIG. 1 is for illustrative purposes only and forms no part of the claimed design.

U.S. PATENT DOCUMENTS

4,452,129 6/1984 Kelley et al. 454/145

Primary Examiner—Lisa Lichtenstein

1 Claim, 2 Drawing Sheets



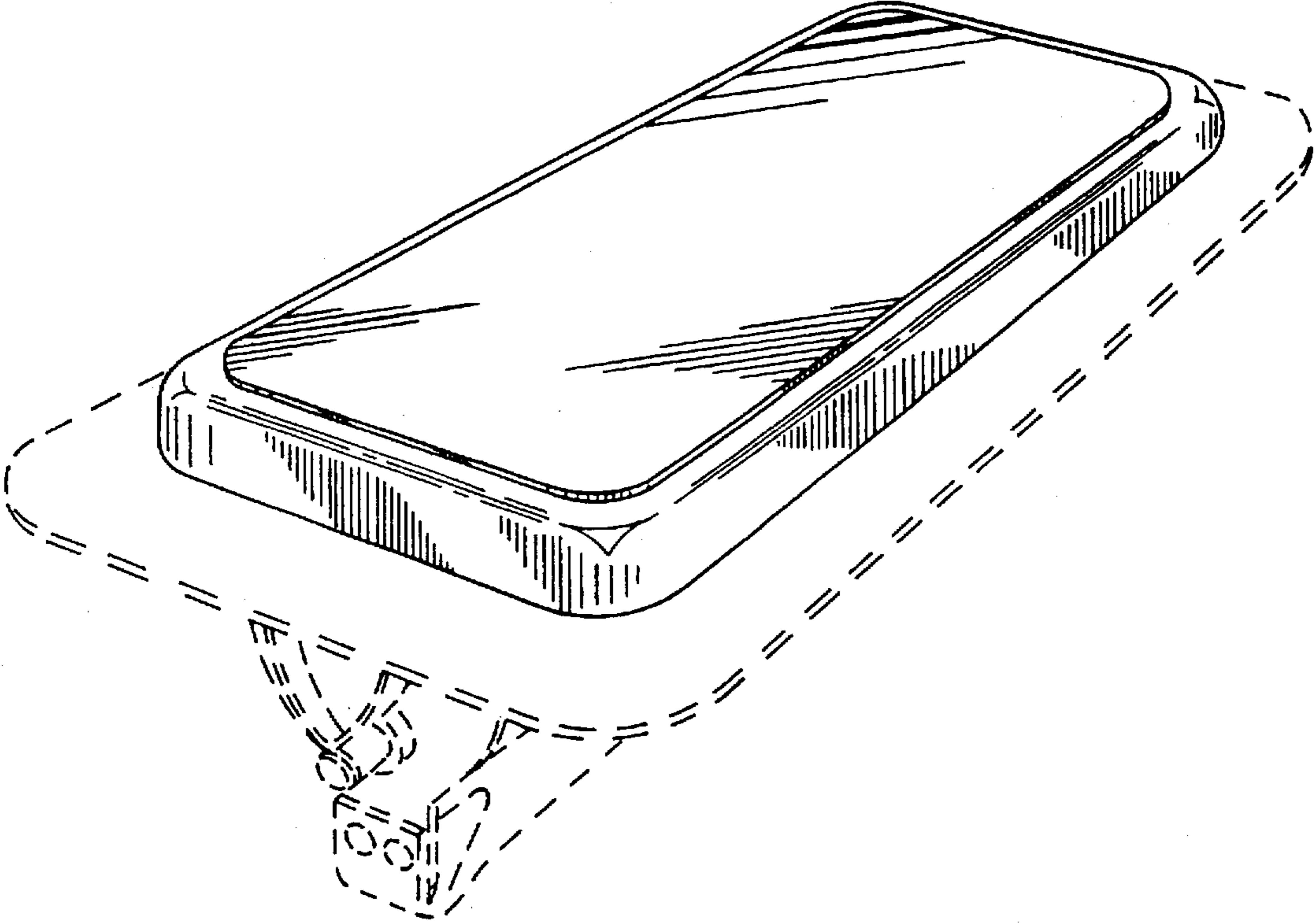


FIG. 1

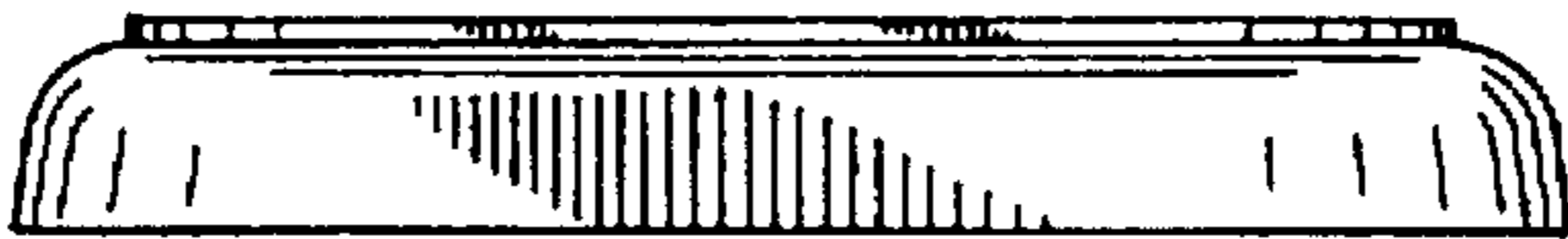


FIG. 2

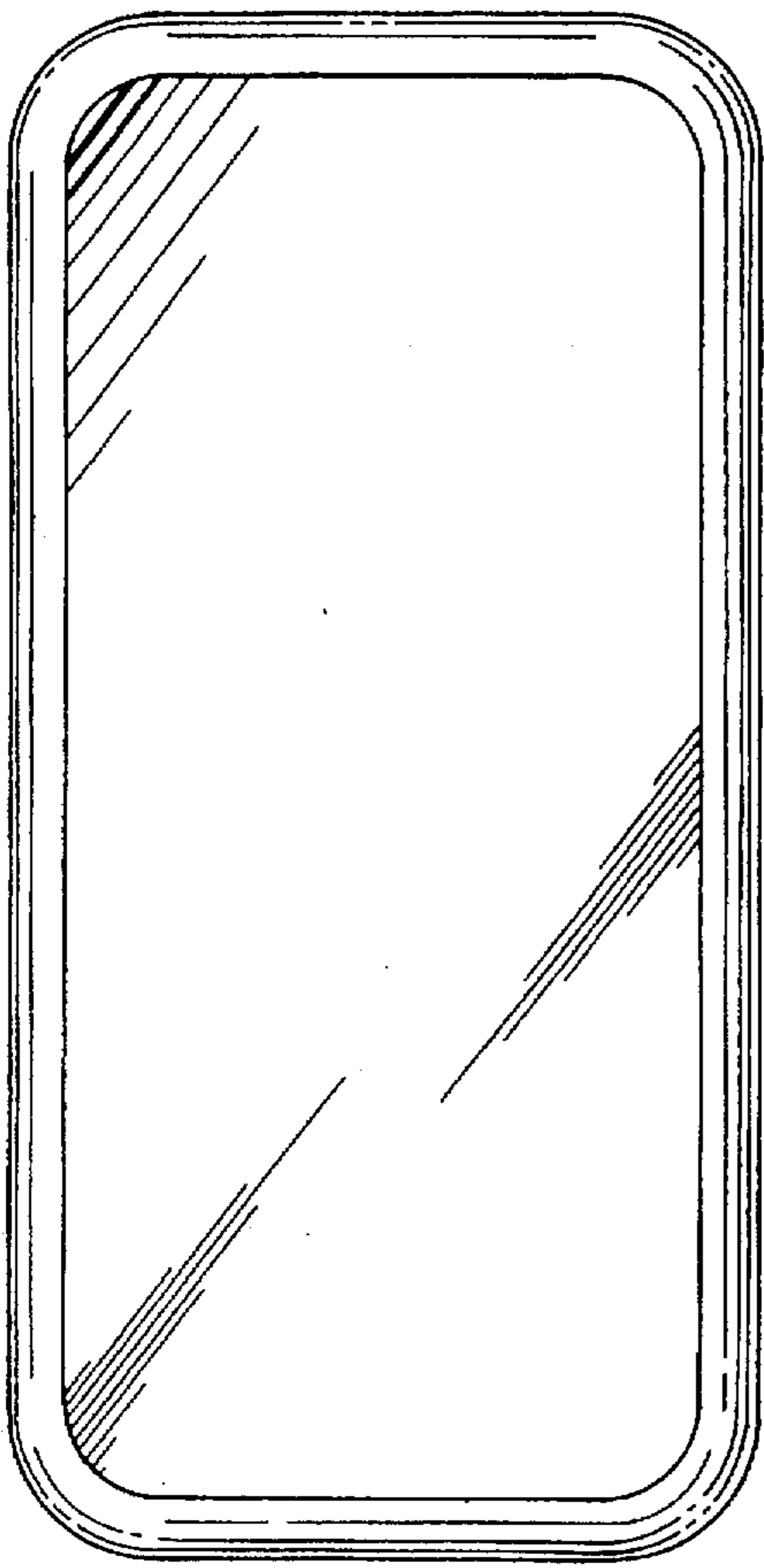


FIG. 3

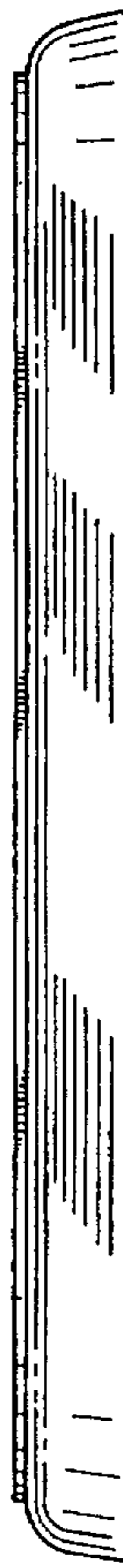


FIG. 4

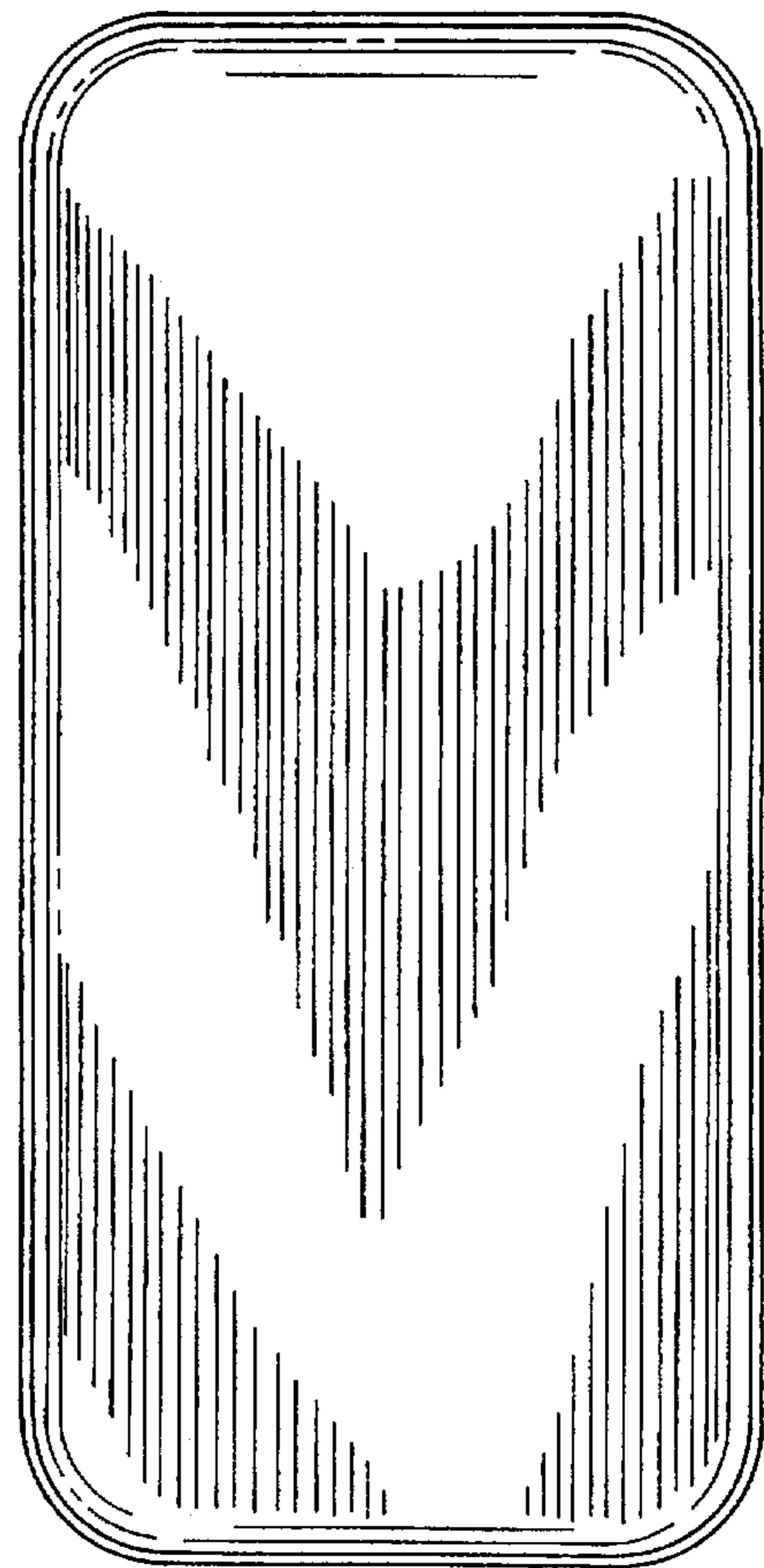


FIG. 5