



US00D393702S

**United States Patent** [19]  
**Haeck**

[11] **Patent Number:** **Des. 393,702**  
[45] **Date of Patent:** **\*\*Apr. 21, 1998**

[54] **COMBINED AIR CONDITIONING AND HEATING UNIT HOUSING**

[75] **Inventor:** **Dennis Leon Haeck, Union, Mich.**

[73] **Assignee:** **Pro Air, Inc., Elkhart, Ind.**

[\*\*] **Term:** **14 Years**

[21] **Appl. No.:** **68,771**

[22] **Filed:** **Mar. 31, 1997**

[51] **LOC (6) Cl.** ..... **23-04**

[52] **U.S. Cl.** ..... **D23/328; D23/314; D23/351**

[58] **Field of Search** ..... **D23/370, 351-354, D23/328, 314; 165/122**

[56] **References Cited**

**U.S. PATENT DOCUMENTS**

- D. 119,051 2/1940 Rogers ..... D23/351
- D. 180,247 5/1957 Schory ..... D23/328
- D. 366,522 1/1996 Lagace et al. .... D23/370

3,124,197 3/1964 Funk ..... 165/122

*Primary Examiner*—Lisa Lichtenstein  
*Attorney, Agent, or Firm*—Baker & Daniels

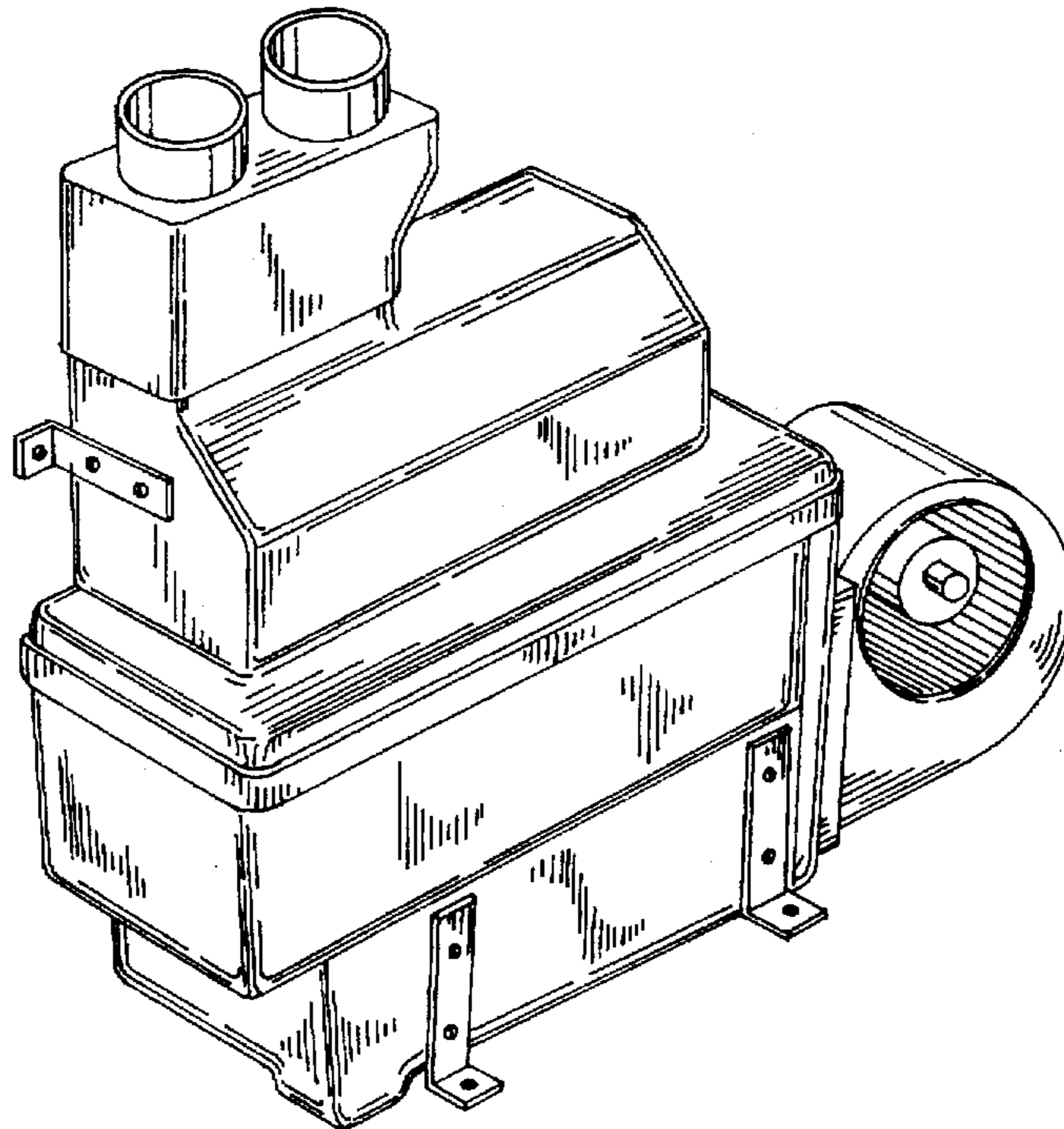
[57] **CLAIM**

The ornamental design for a combined air conditioning and heating unit housing, as shown.

**DESCRIPTION**

FIG. 1 is a perspective view of a combined air conditioning and heating unit housing illustrating my new design; FIG. 2 is a front elevational view of the combined air conditioning and heating unit housing shown in FIG. 1; FIG. 3 is a rear elevational view of the combined air conditioning and heating unit housing shown in FIGS. 1 and 2; FIG. 4 is a left side elevational view thereof; FIG. 5 is a right side elevational view thereof; and, FIG. 6 is a top plan view thereof.

**1 Claim, 5 Drawing Sheets**



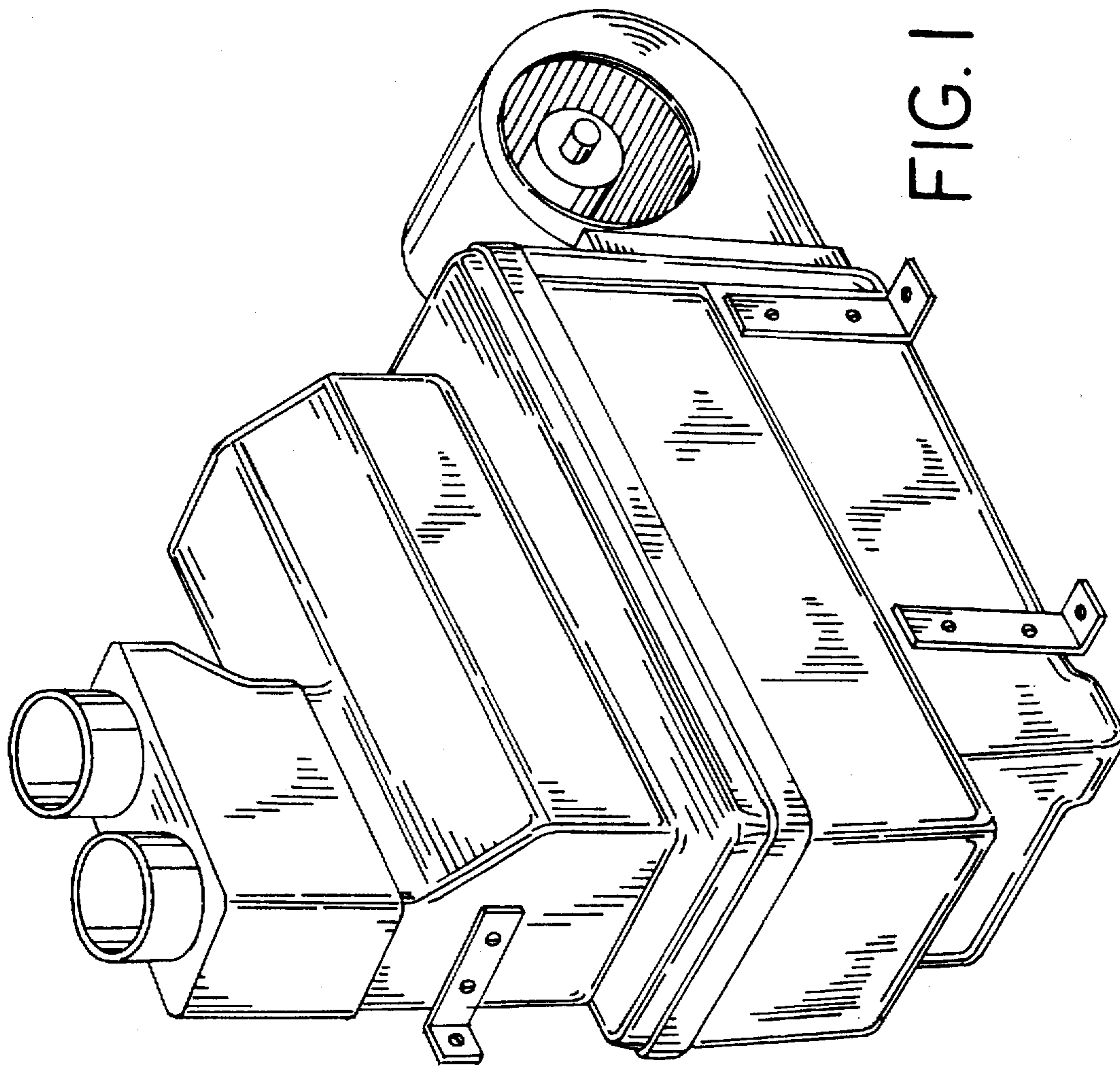


FIG. 1

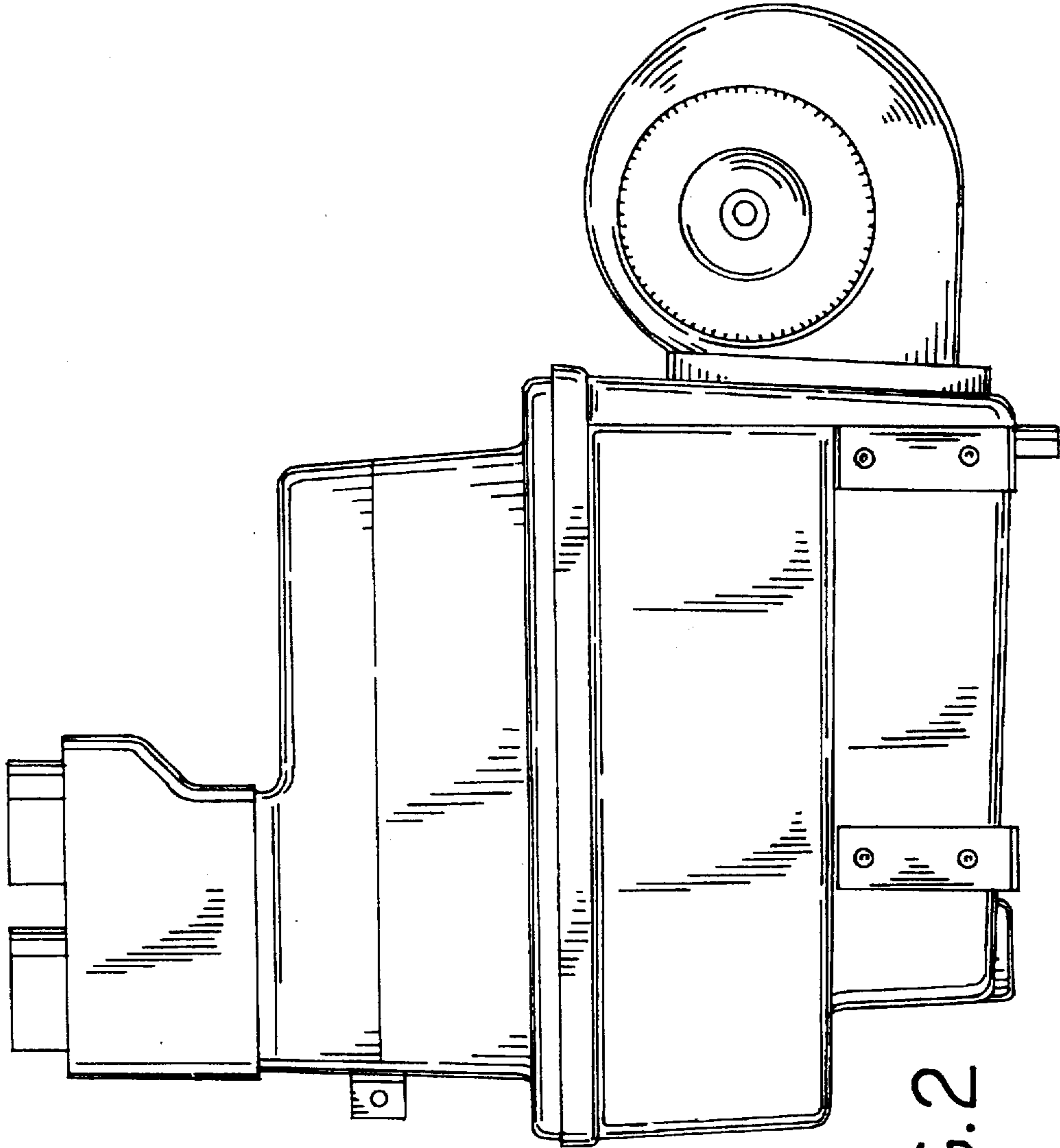


FIG. 2

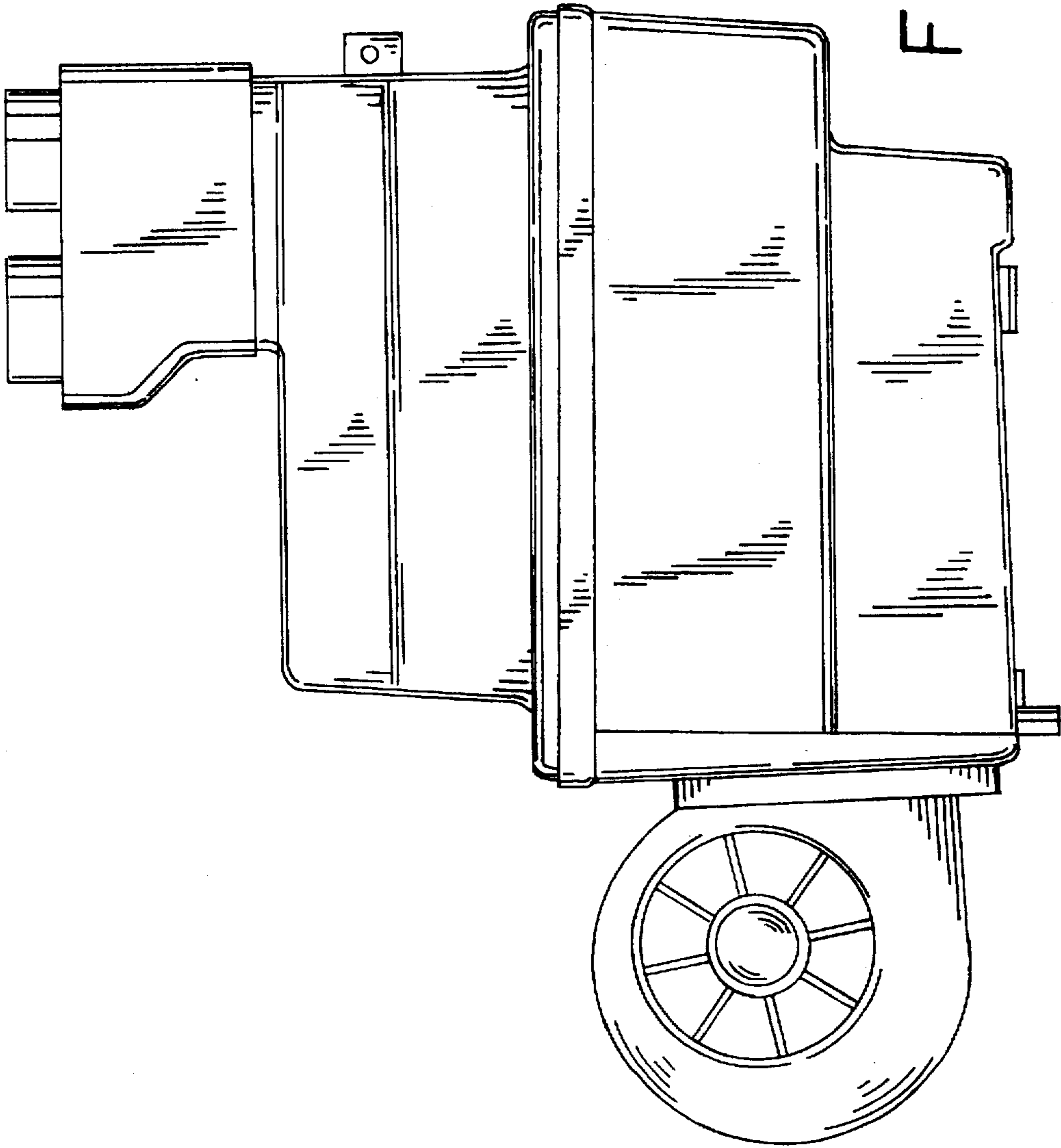


FIG. 3

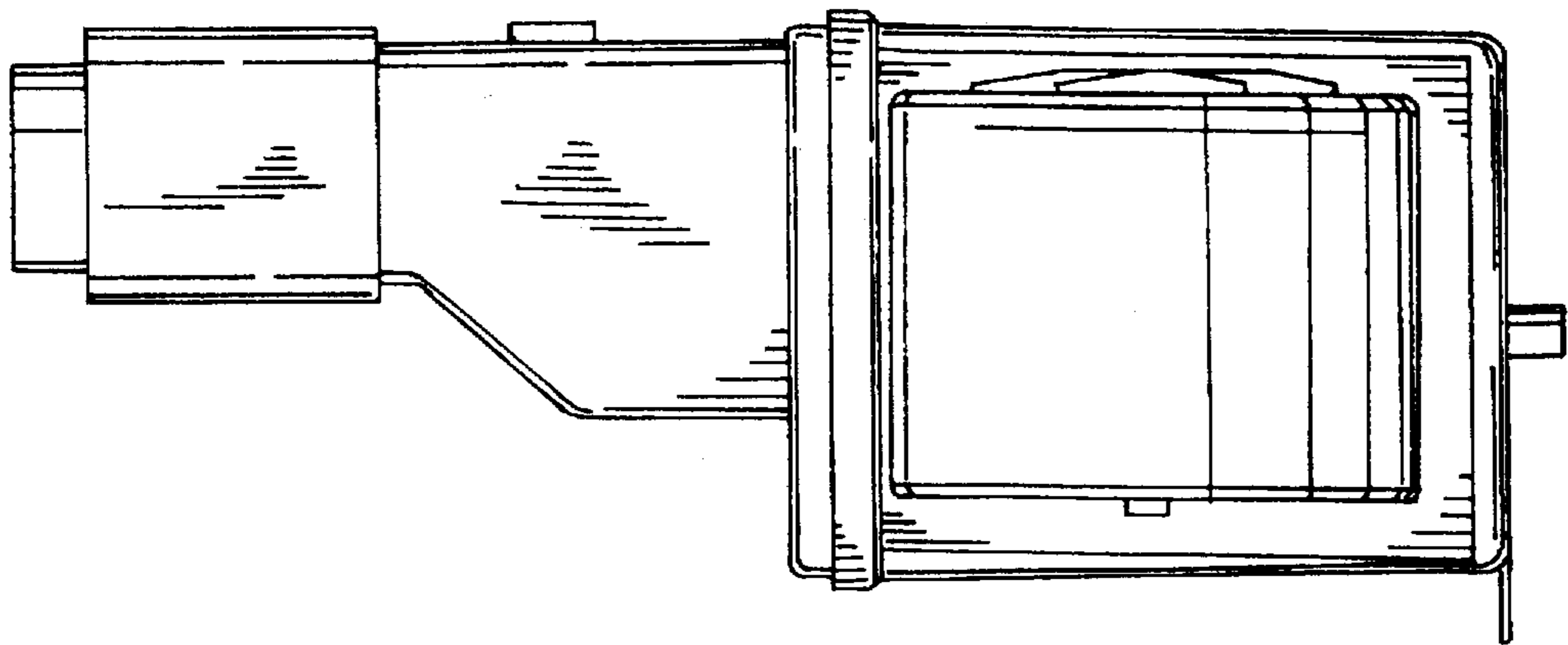


FIG. 5

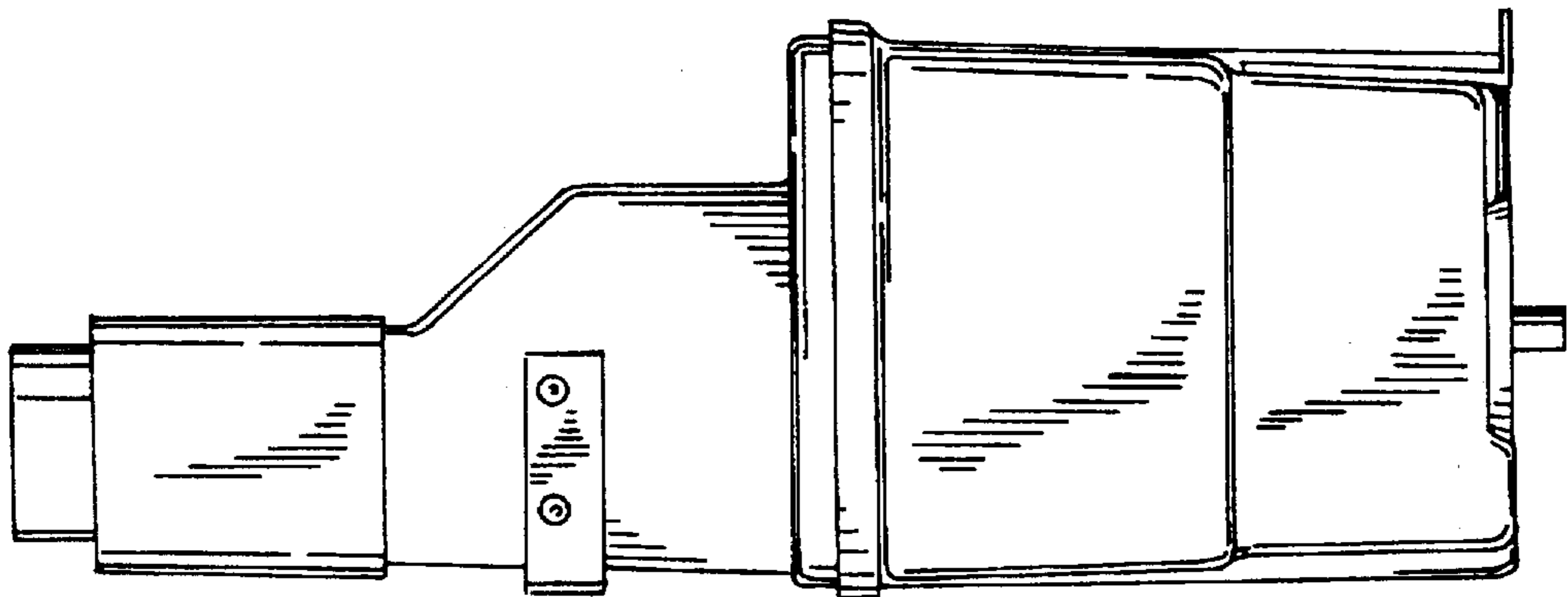


FIG 4

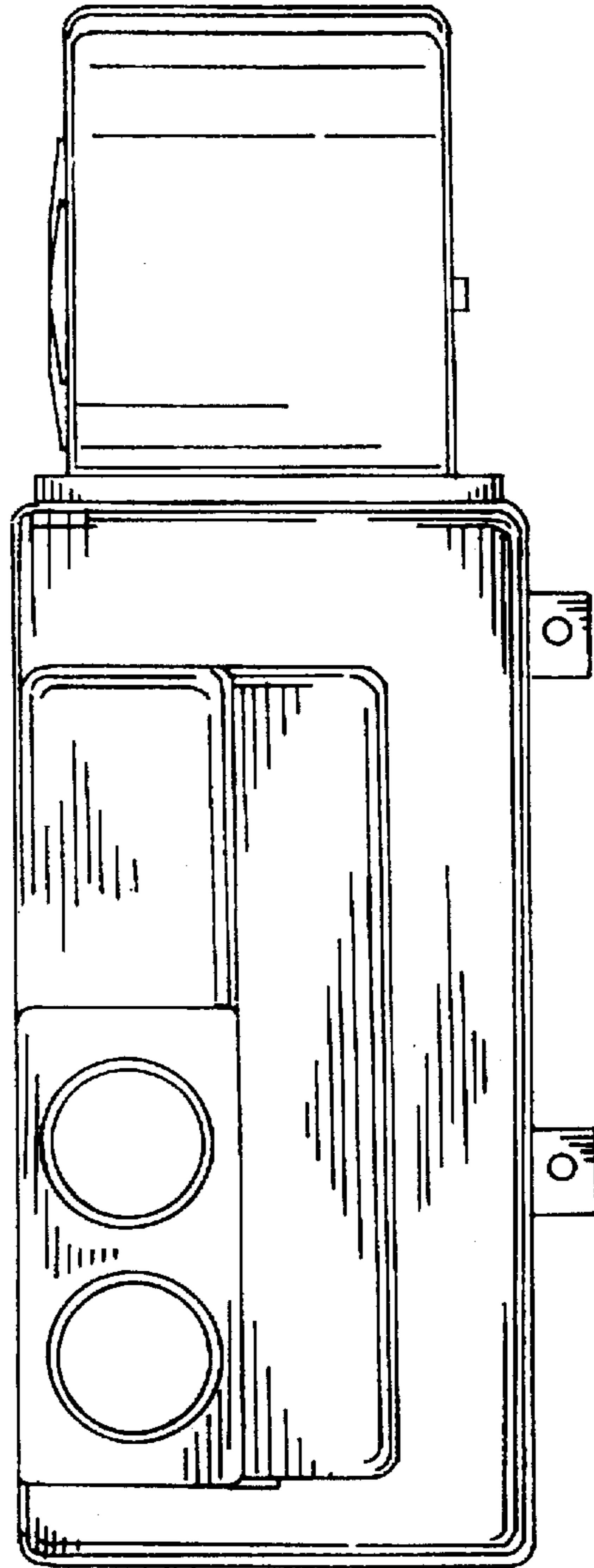


FIG. 6



UNITED STATES PATENT AND TRADEMARK OFFICE  
**CERTIFICATE OF CORRECTION**

PATENT NO. : Des. 393,702  
DATED : April 21, 1998  
INVENTOR(S) : Dennis Leon Haeck

Page 1 of 7

It is certified that error appears in the above-identified patent and that said Letters Patent is hereby corrected as shown below:

The title page, showing an illustrative figure, should be deleted and substitute therefor the attached title page.

Delete drawing sheets 1-5, and substitute therefor the Drawing sheets, consisting of Figs. 1-5, as shown on the attached pages.

Signed and Sealed this  
First Day of September, 1998



BRUCE LEHMAN

*Commissioner of Patents and Trademarks*

*Attest:*

*Attesting Officer*

**United States Patent** [19]

**Haeck**

[11] **Patent Number: Des. 393,702**

[45] **Date of Patent: \*\*Apr. 21, 1998**

[54] **COMBINED AIR CONDITIONING AND HEATING UNIT HOUSING**

[75] **Inventor: Dennis Leon Haeck, Union, Mich.**

[73] **Assignee: Pro Air, Inc., Elkhart, Ind.**

[\*\*] **Term: 14 Years**

[21] **Appl. No.: 68,771**

[22] **Filed: Mar. 31, 1997**

[51] **LOC (6) CL ..... 23-04**

[52] **U.S. Cl. .... D23/328; D23/314; D23/351**

[58] **Field of Search ..... D23/370, 351-354, D23/328, 314; 165/122**

[56] **References Cited**

**U.S. PATENT DOCUMENTS**

D. 119,051	2/1940	Rogers	.....	D23/351
D. 180,247	5/1957	Schory	.....	D23/328
D. 366,522	1/1996	Lagace et al.	.....	D23/370

3,124,197 3/1964 Funk ..... 165/122

*Primary Examiner—Lisa Lichtenstein  
Attorney, Agent, or Firm—Baker & Daniels*

[57] **CLAIM**

The ornamental design for a combined air conditioning and heating unit housing, as shown.

**DESCRIPTION**

FIG. 1 is a perspective view of a combined air conditioning and heating unit housing illustrating my new design:

FIG. 2 is a front elevational view of the combined air conditioning and heating unit housing shown in FIG. 1:

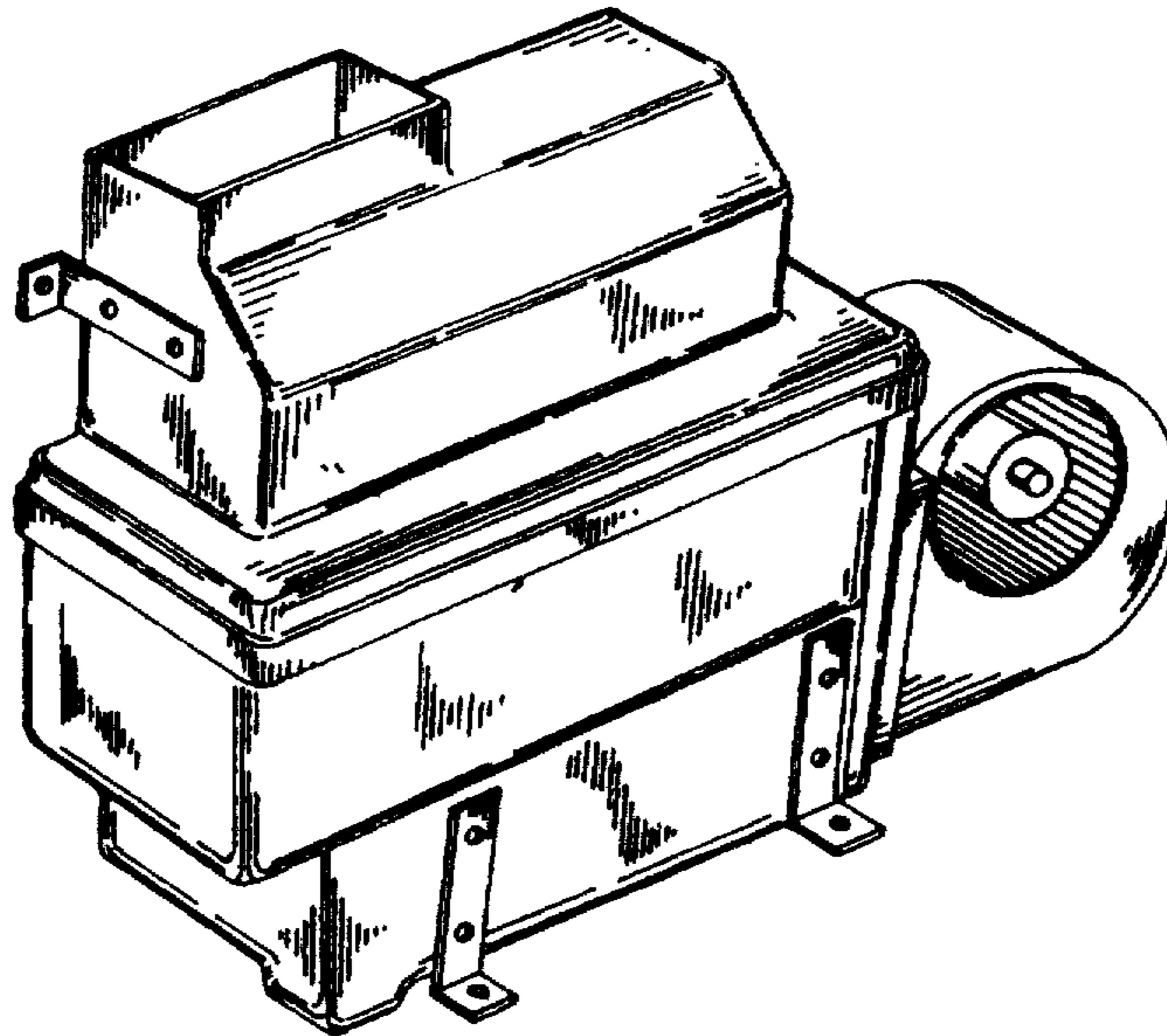
FIG. 3 is a rear elevational view of the combined air conditioning and heating unit housing shown in FIGS. 1 and 2:

FIG. 4 is a left side elevational view thereof:

FIG. 5 is a right side elevational view thereof: and

FIG. 6 is a top plan view thereof.

**1 Claim, 5 Drawing Sheets**





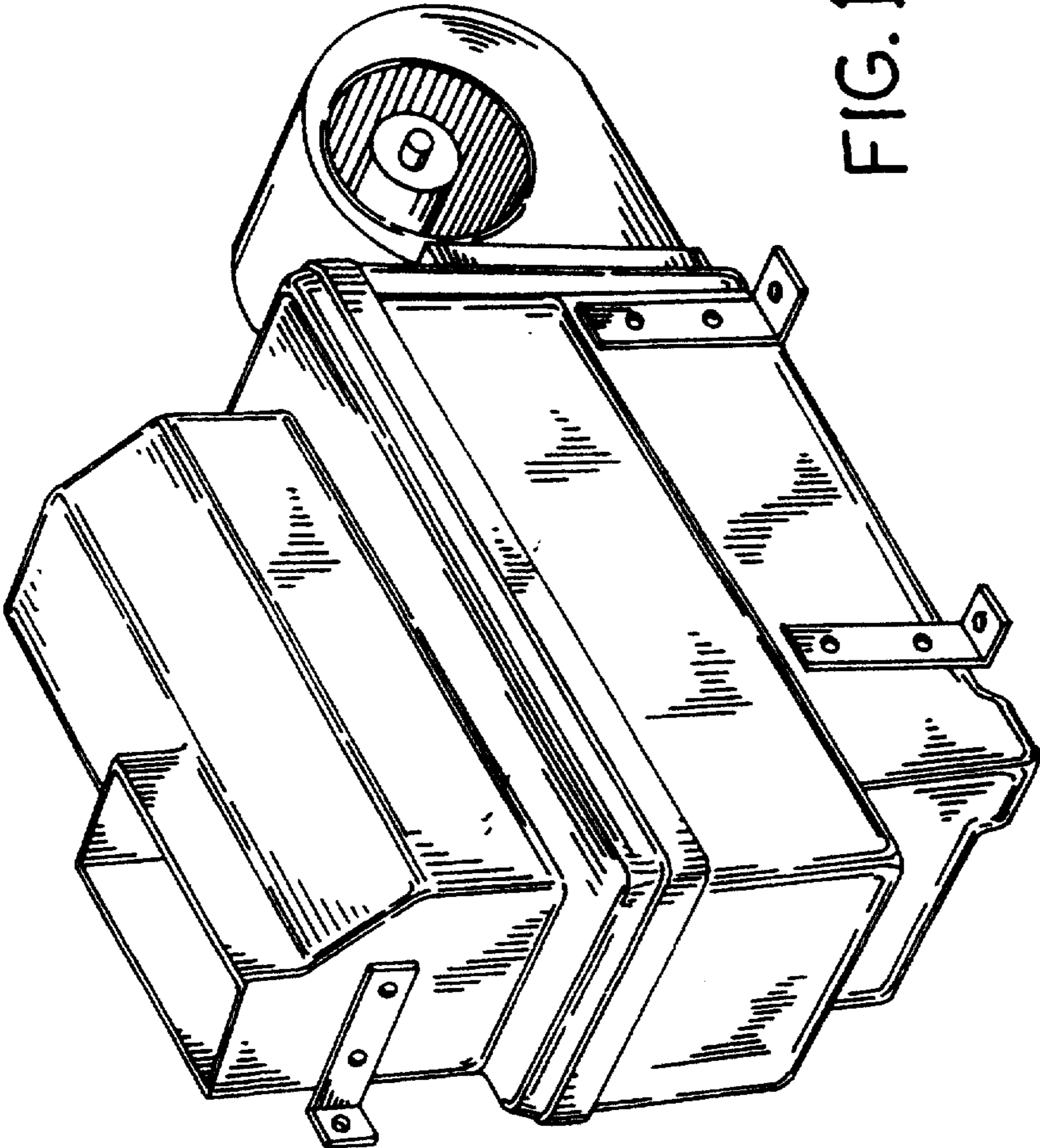


FIG. 1

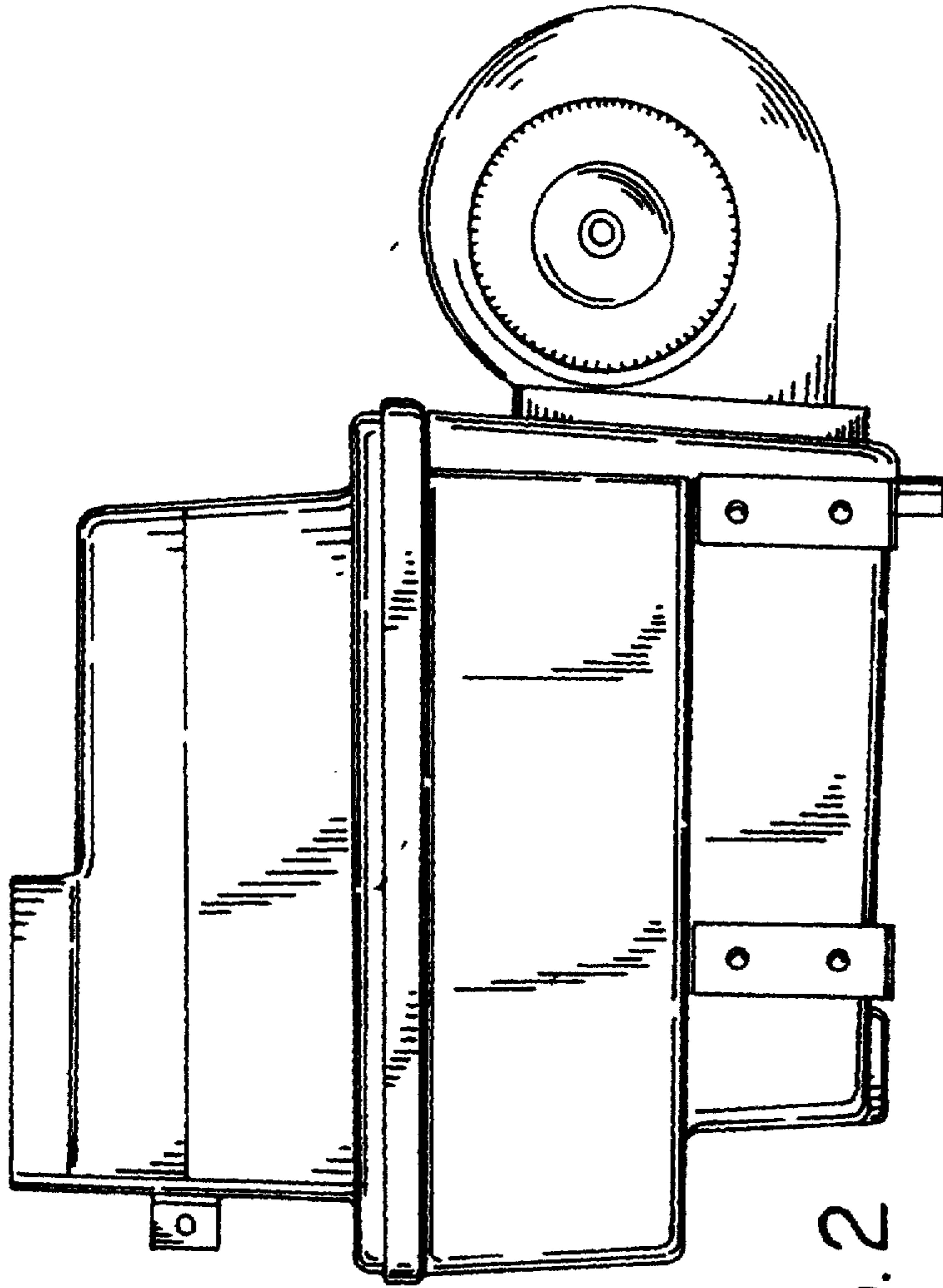
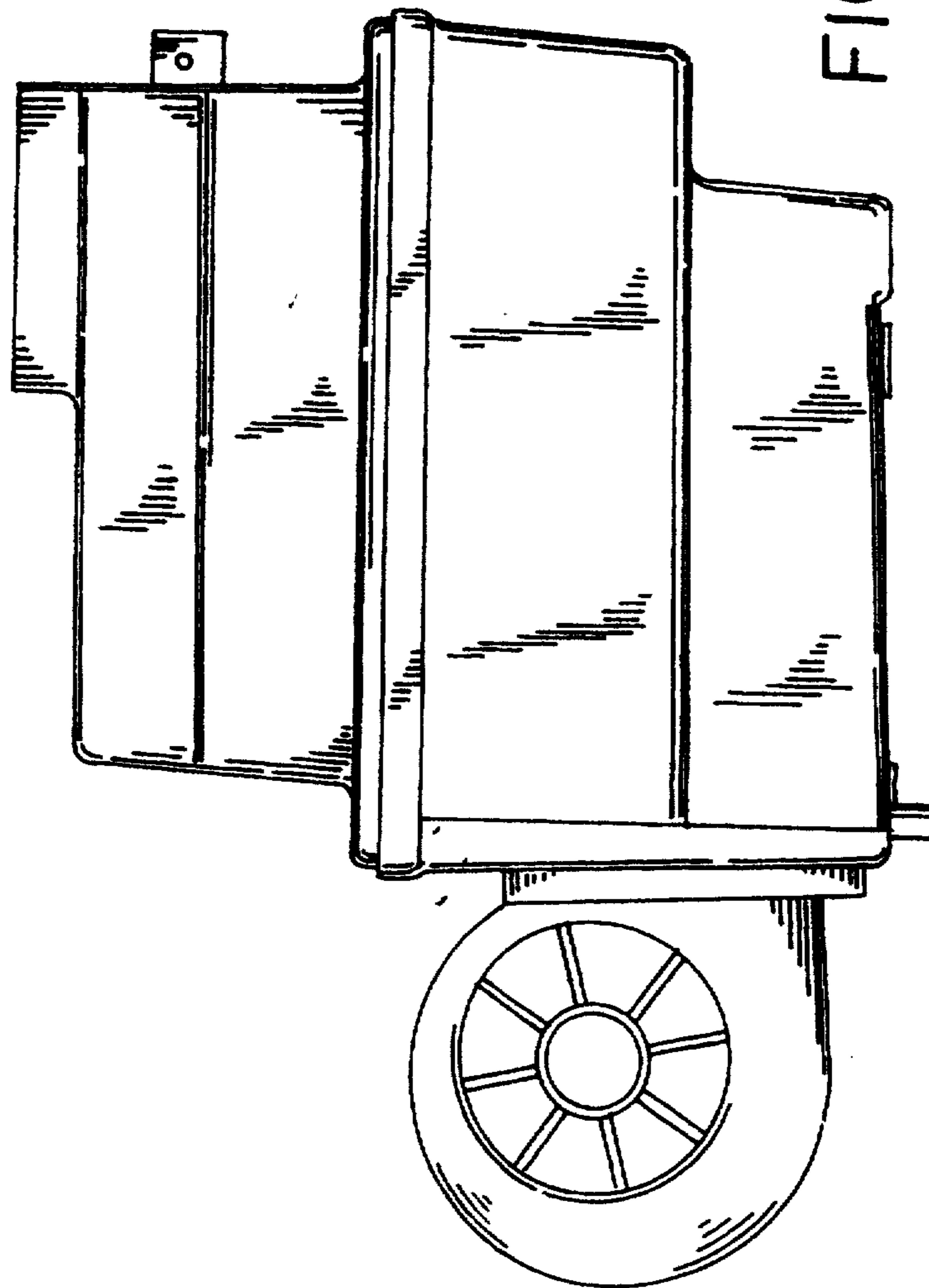


FIG. 2



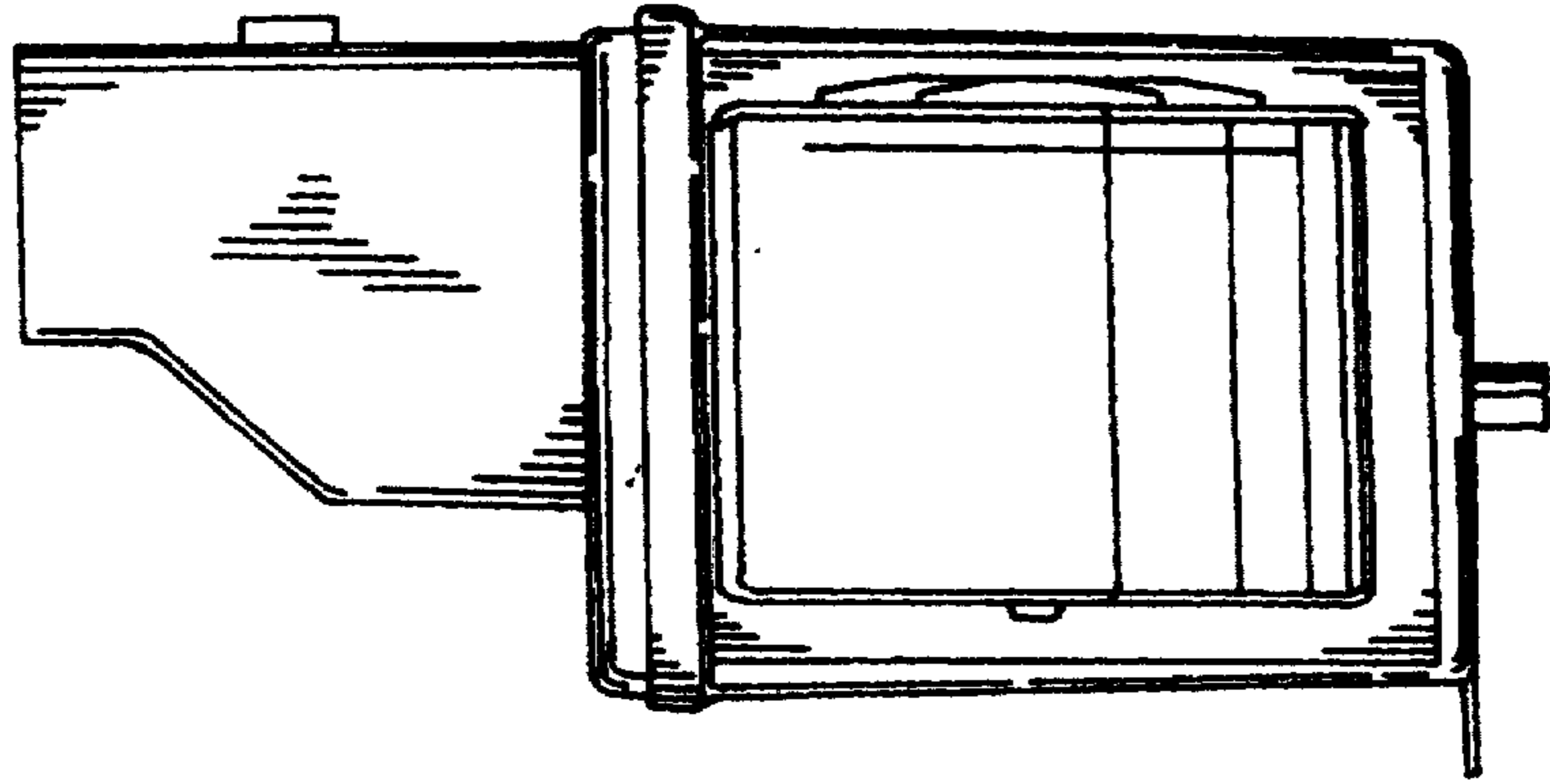


FIG. 5

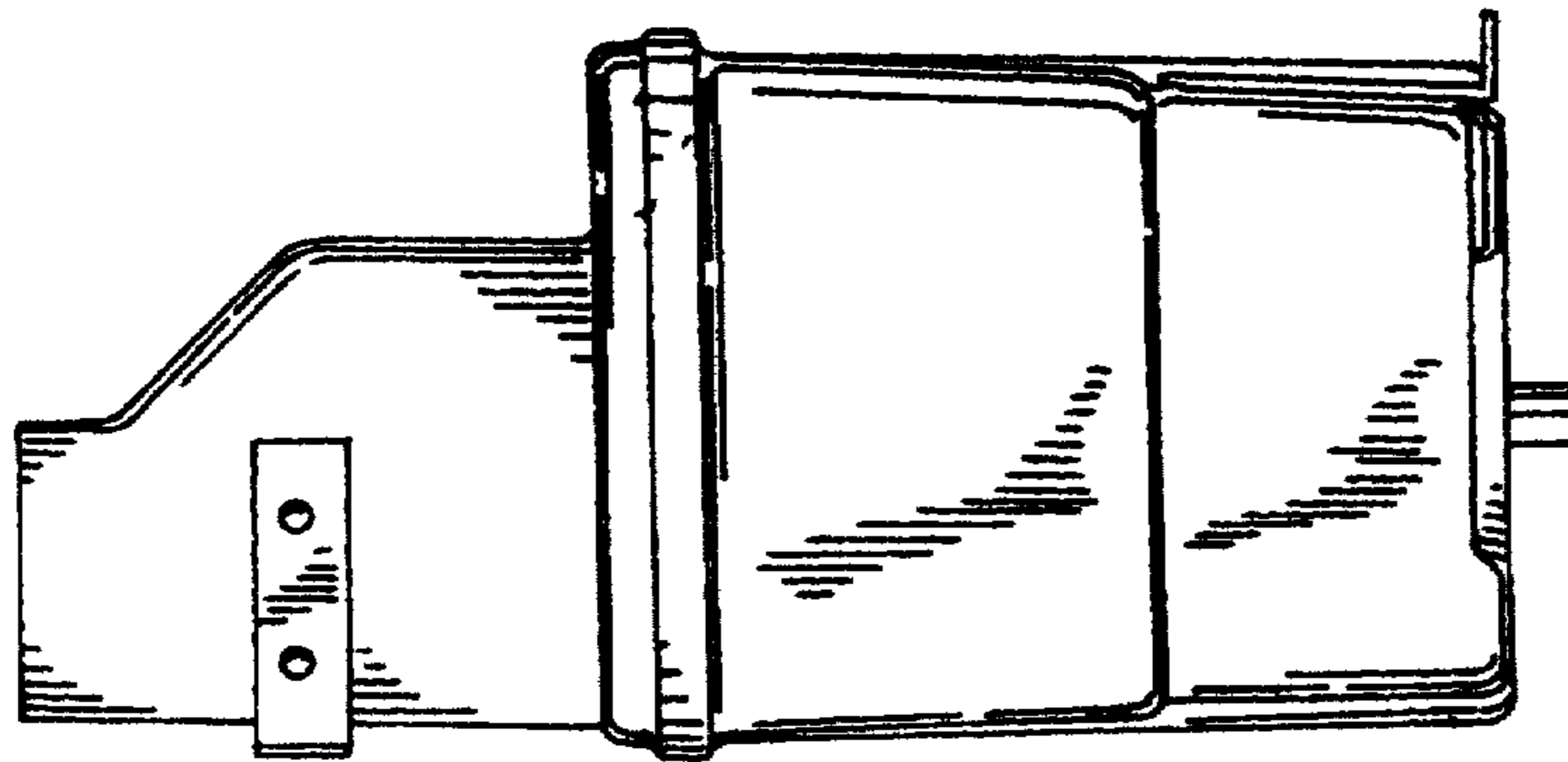


FIG. 4

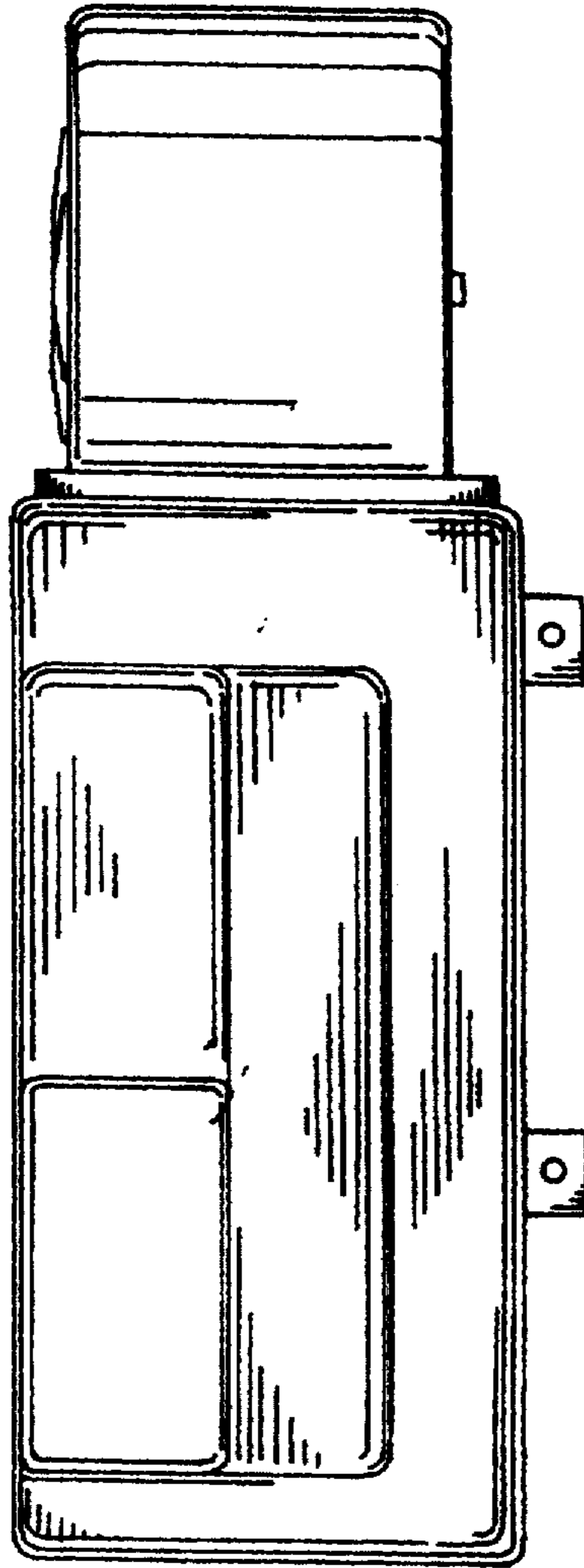


FIG. 6