



US00D393699S

United States Patent [19]

[11] Patent Number: Des. 393,699

Bonnell

[45] Date of Patent: **Apr. 21, 1998

[54] SINK

1993 Kohler ad, pp. 15-14, showing "Ballad" sinks.

[75] Inventor: Thomas A. Bonnell, Sheboygan, Wis.

Primary Examiner—Louis S. Zarfes

[73] Assignee: Kohler Co., Kohler, Wis.

Assistant Examiner—Eric Watterson

[**] Term: 14 Years

Attorney, Agent, or Firm—Quarles & Brady

[21] Appl. No.: 65,155

[57] CLAIM

The ornamental design for a sink, as shown and described.

[22] Filed: Jan. 22, 1997

DESCRIPTION

[51] LOC (6) Cl. 23-02

FIG. 1 is a left, top, front perspective view of a sink embodying my new design;

[52] U.S. Cl. D23/284

FIG. 2 is a top plan view thereof;

[58] Field of Search D23/284-293.1;

FIG. 3 is a front elevational view thereof;

4/619, 624, 625, 638-650

FIG. 4 is a rear elevational view thereof;

[56] References Cited

FIG. 5 is a right side elevational view thereof, the left side elevational view being a mirror image of the right side shown;

U.S. PATENT DOCUMENTS

D. 218,606	9/1970	Lied	D23/290
D. 295,068	4/1988	Kohler, Jr. et al.	D23/290
D. 318,523	7/1991	Blac et al.	D23/290
D. 319,301	8/1991	Ris	D23/290
D. 345,784	4/1994	O'Connell et al.	D23/284
D. 346,074	4/1994	Berge et al.	D23/284

FIG. 6 is a cross-sectional view taken along line 6-6 of FIG. 2;

OTHER PUBLICATIONS

1987 Janis ad showing "E series 500" sinks.
Undated Kohler ad, p. 13, showing shower receptors, admitted prior art.

FIG. 7 is a cross-sectional view taken along line 7-7 of FIG. 2; and,

FIG. 8 is a cross-sectional view taken along line 8-8 of FIG. 2.

1 Claim, 4 Drawing Sheets

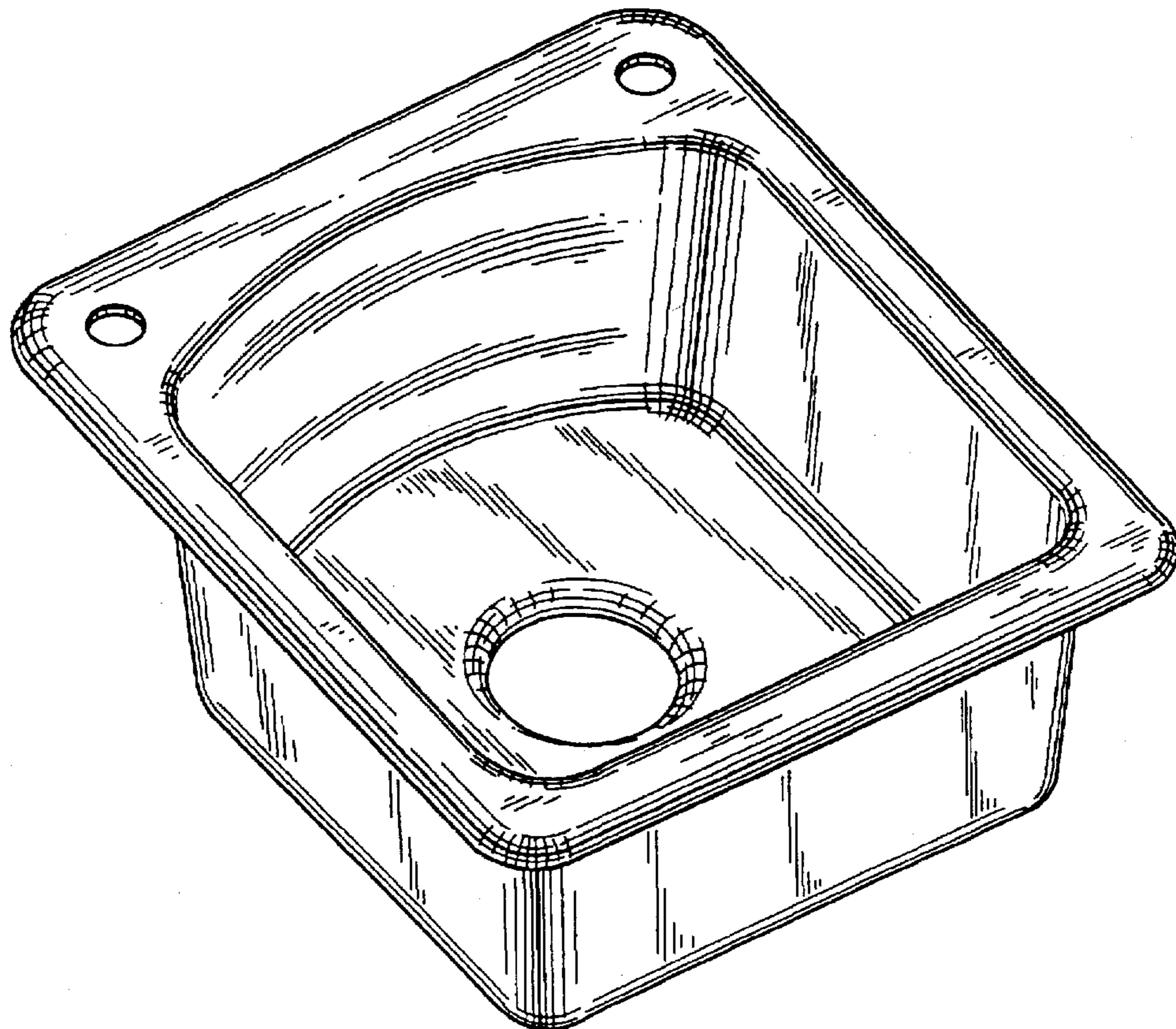


FIG. 1

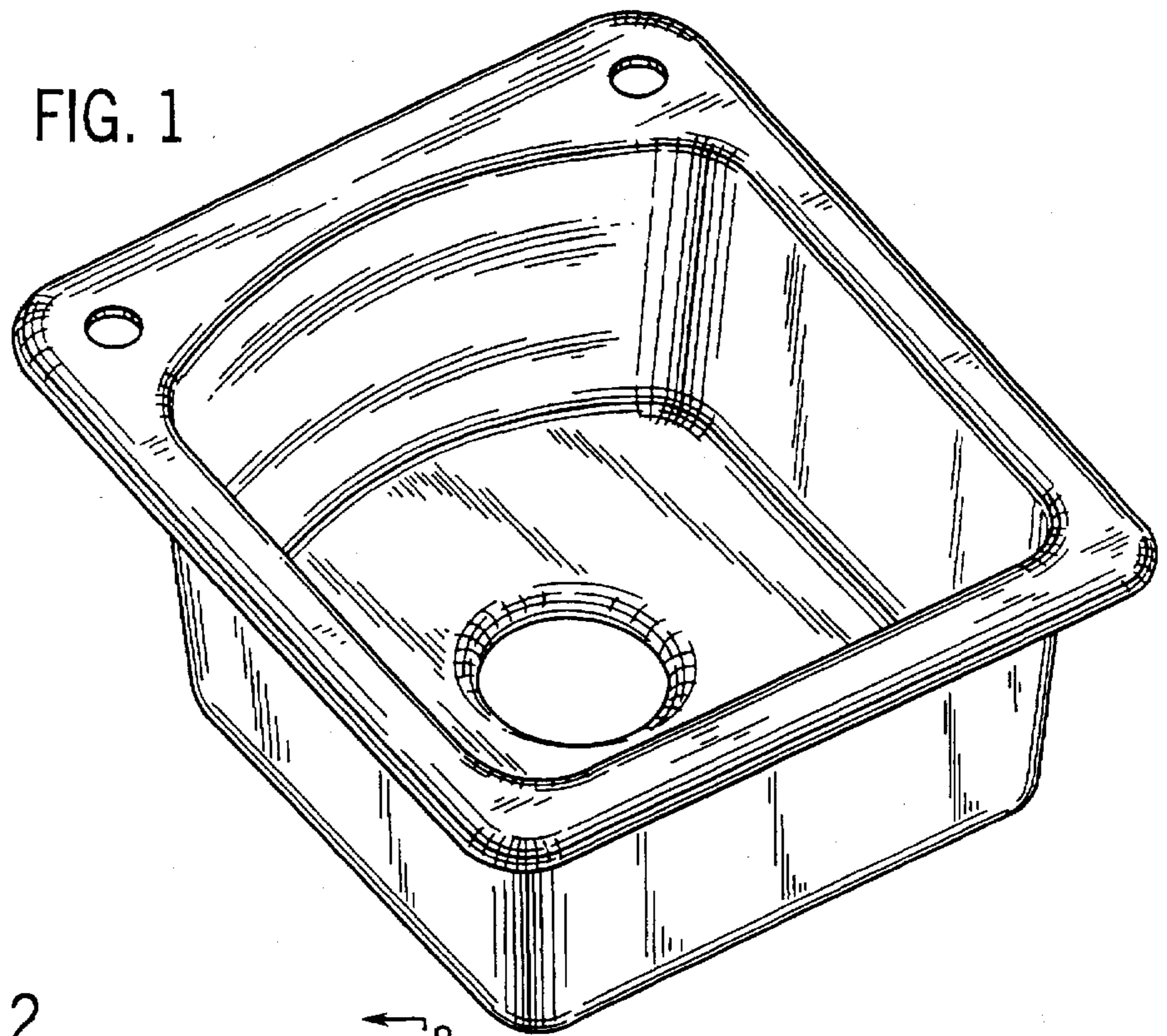


FIG. 2

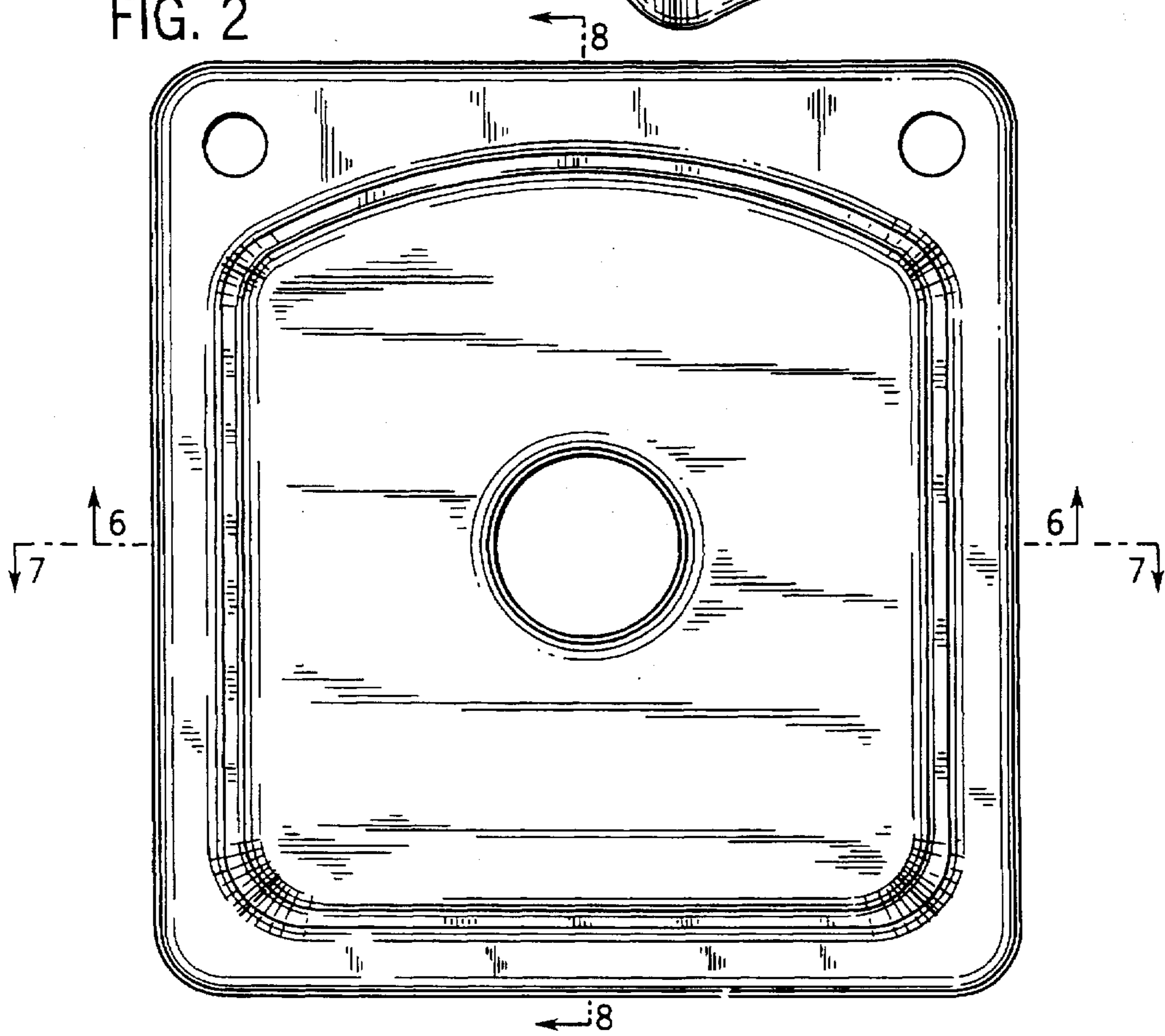


FIG. 3

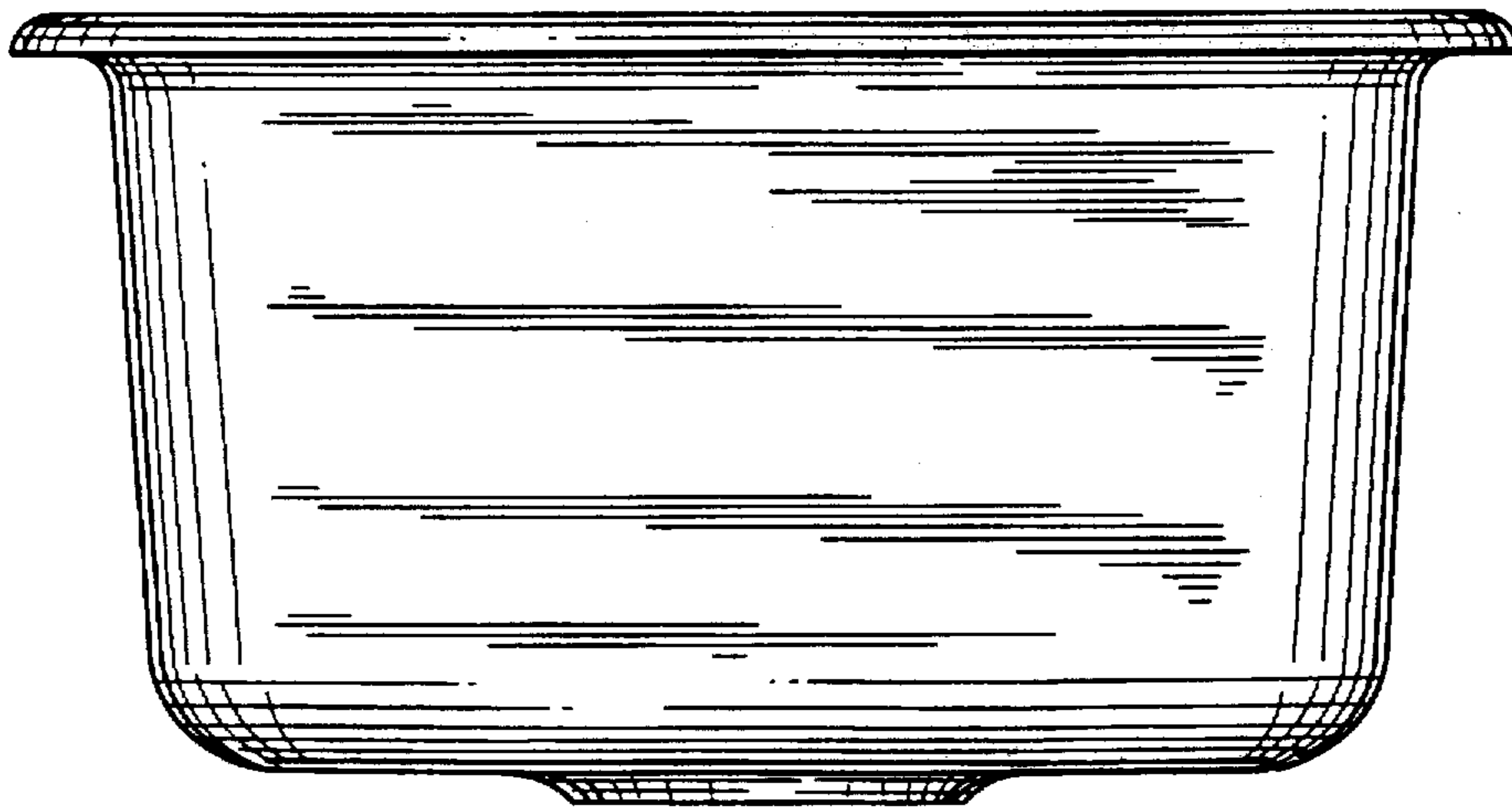


FIG. 4

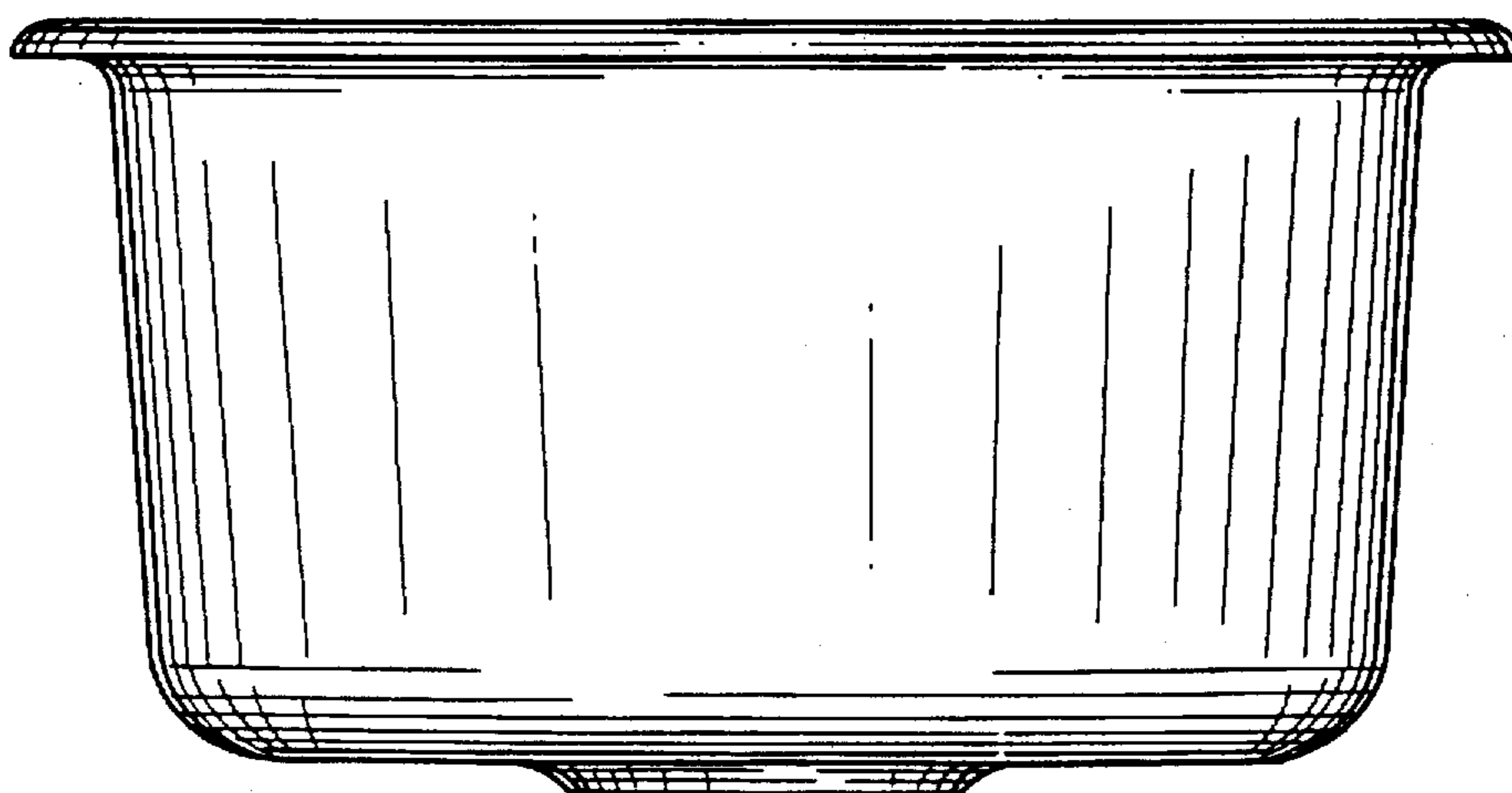


FIG. 5

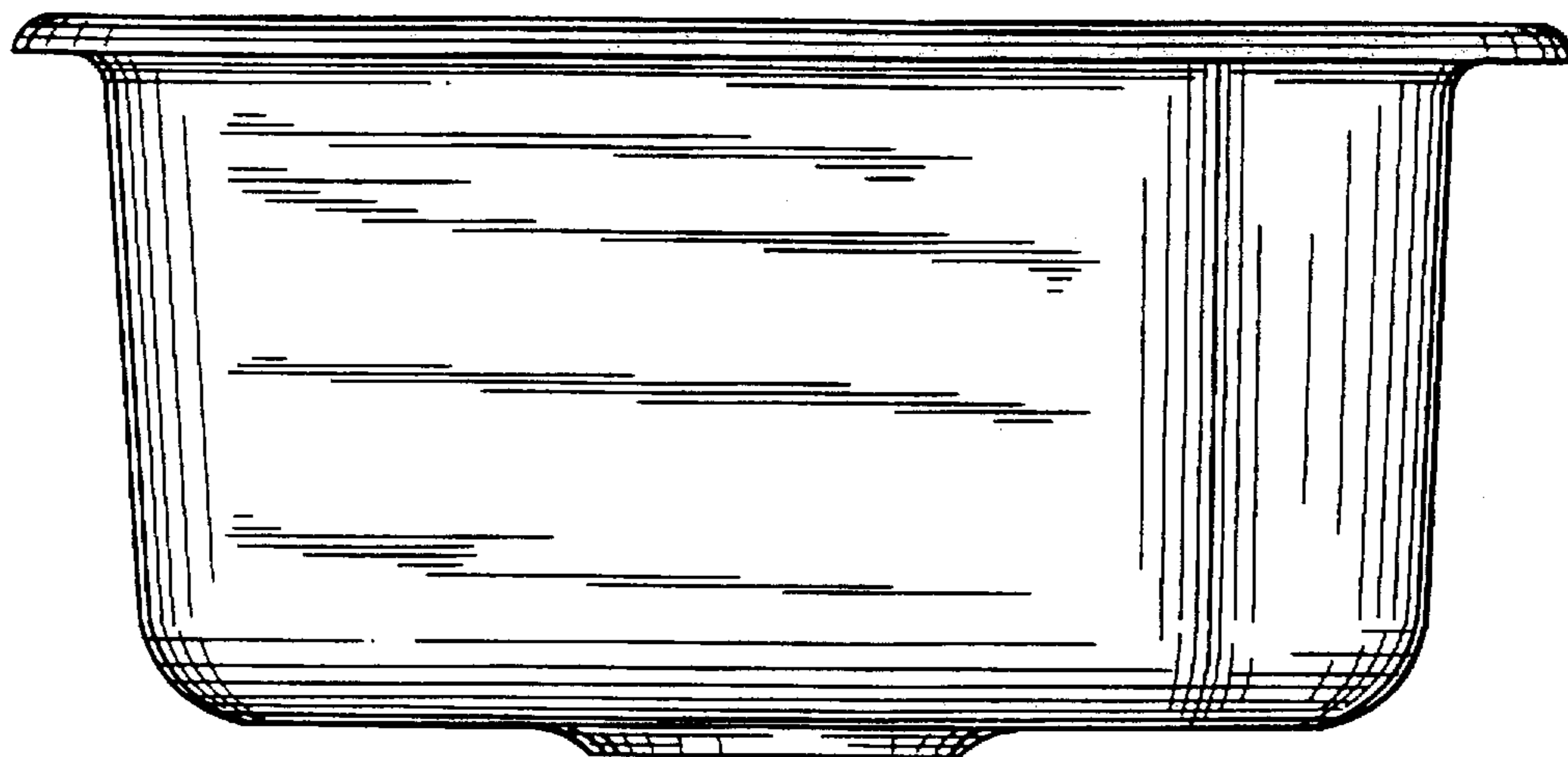


FIG. 6

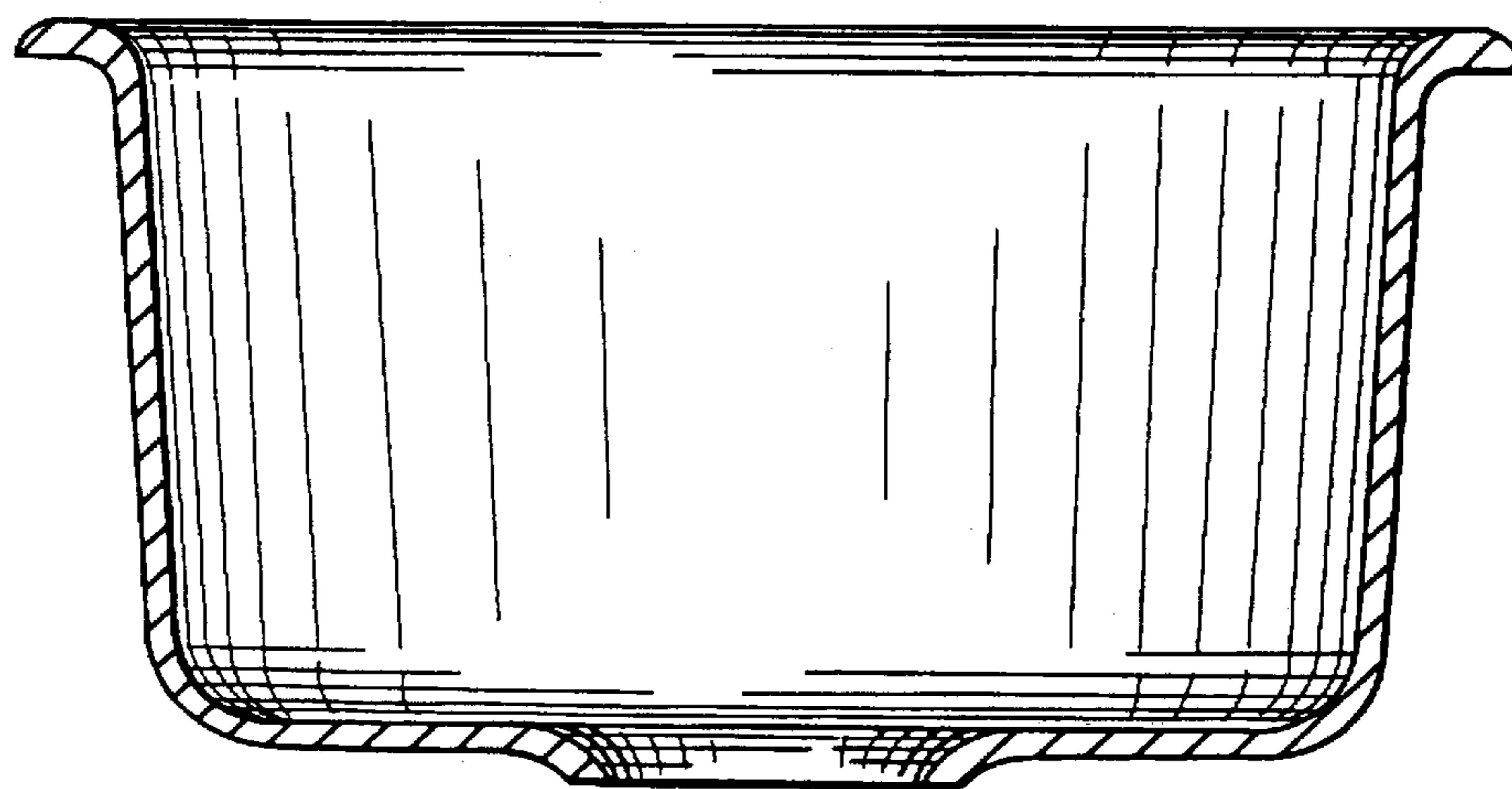


FIG. 7

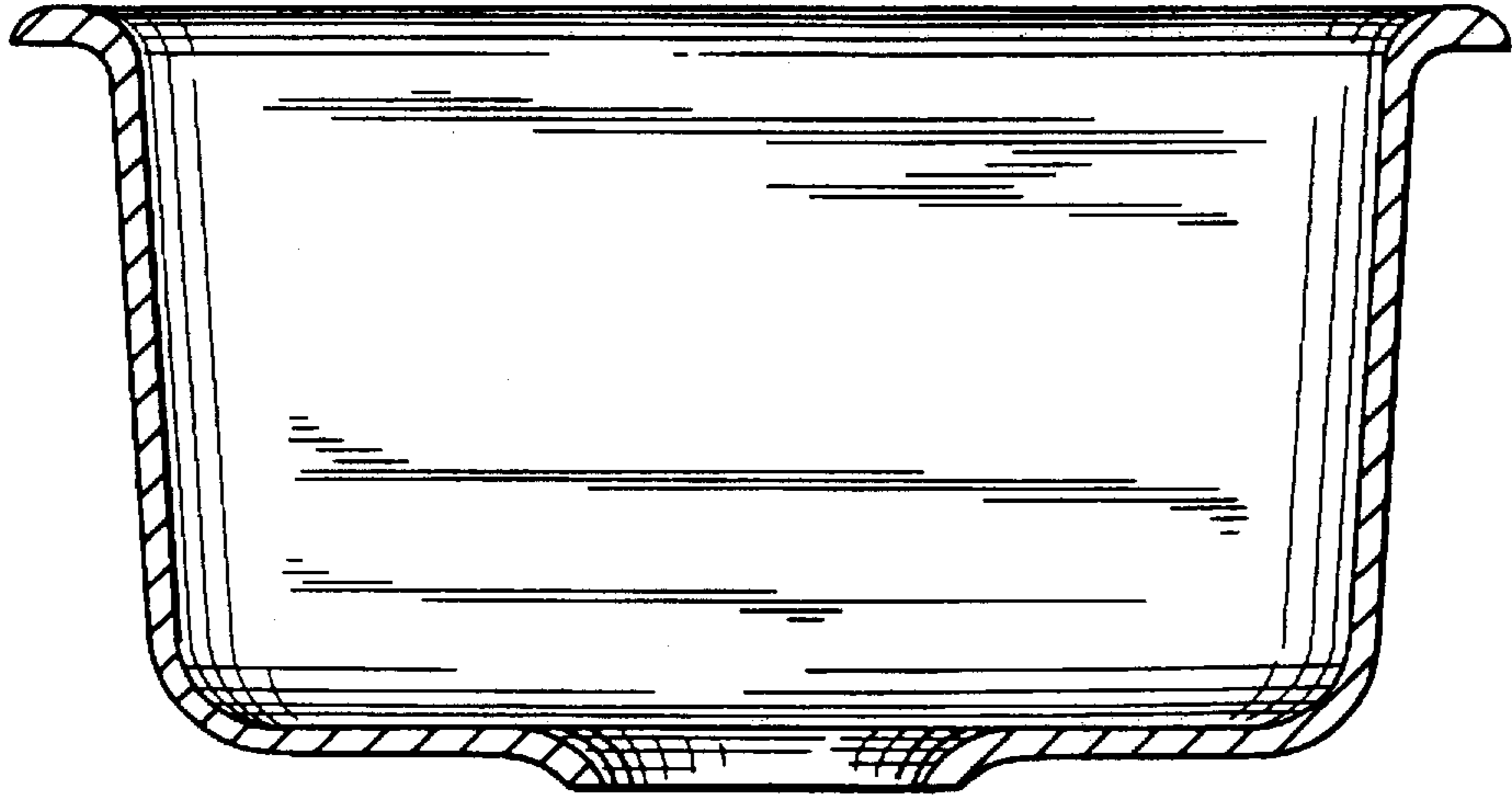
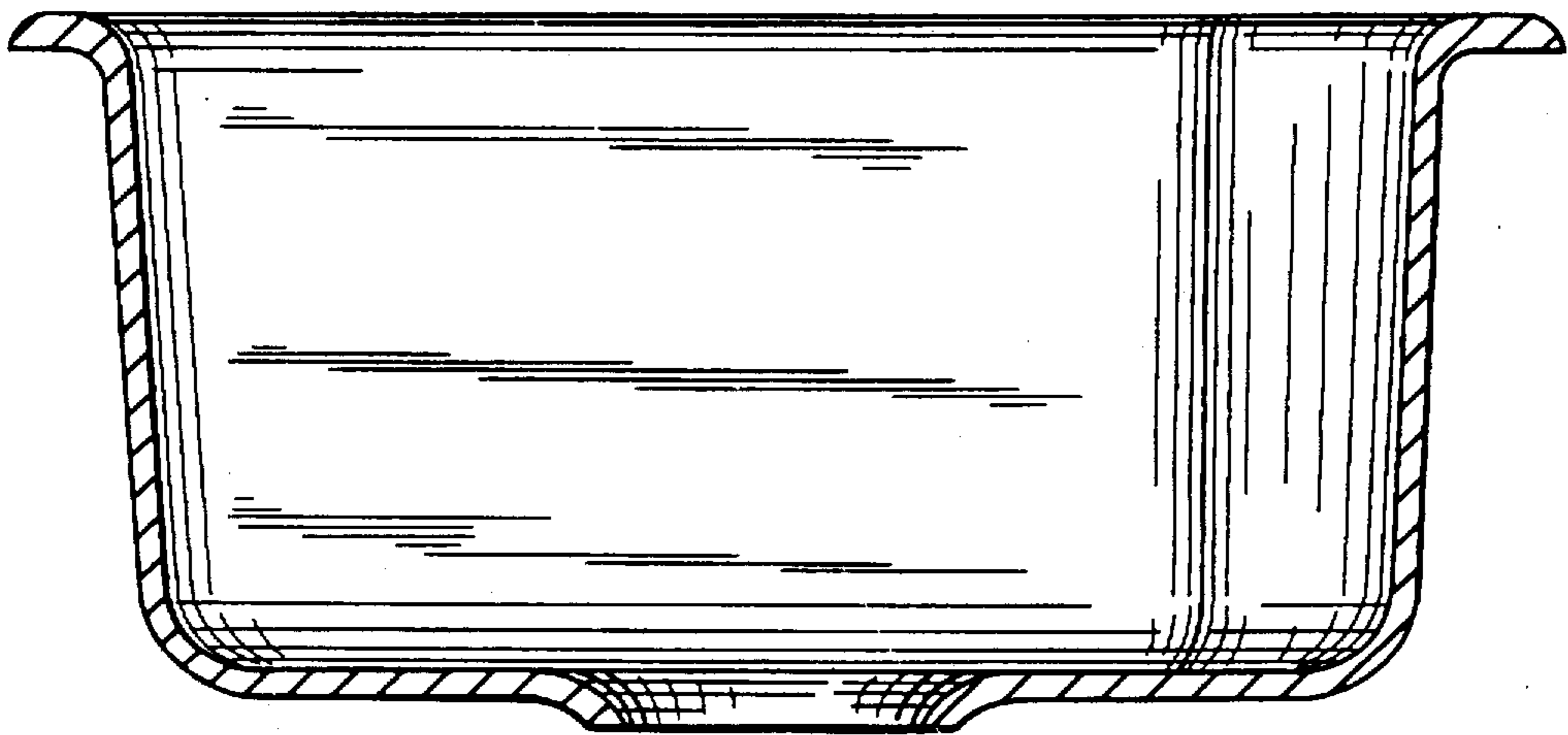


FIG. 8



UNITED STATES PATENT AND TRADEMARK OFFICE
CERTIFICATE OF CORRECTION

PATENT NO. : D393,699
DATED : April 21, 1998
INVENTOR(S) : Thomas A. Bonnell

It is certified that error appears in the above-identified patent and that said Letters Patent is hereby corrected as shown below:

ON THE TITLE PAGE:

Item [56] References Cited; U.S. PATENT DOCUMENTS

"Lied" should be --Lien--

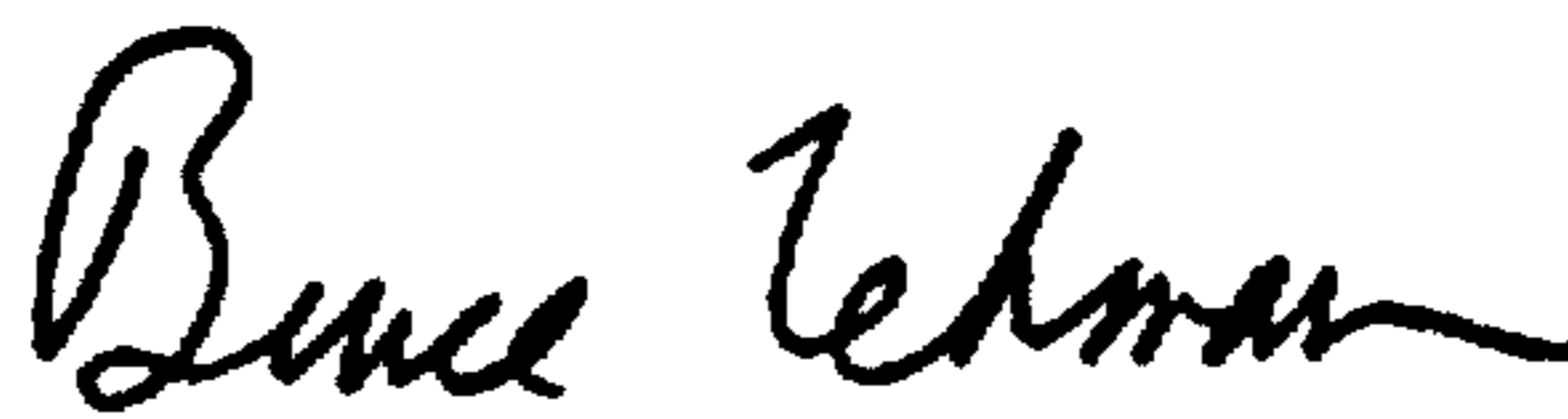
"Blac et al." should be --Blanc et al.--

"D.346,074" should be --D.346,014--

Signed and Sealed this

Twenty-second Day of December, 1998

Attest:



BRUCE LEHMAN

Attesting Officer

Commissioner of Patents and Trademarks