



US00D393698S

United States Patent [19]

[11] Patent Number: Des. 393,698

Singla Palacin

[45] Date of Patent: **Apr. 21, 1998

[54] **BATHTUB**

[75] Inventor: **Jaime Singla Palacin**, Gava, Spain

[73] Assignee: **Compania Roca Radiadores, S.A.**,
Gava, Spain

[**] Term: **14 Years**

[21] Appl. No.: **62,753**

[22] Filed: **Nov. 22, 1996**

[30] **Foreign Application Priority Data**

May 23, 1996 [ES] Spain 137556D

[51] **LOC (6) Cl.** **23-02**

[52] **U.S. Cl.** **D23/277**

[58] **Field of Search** D23/277-280.4;
4/538, 539, 546, 548, 551, 589, 584, 590

[56] **References Cited**

U.S. PATENT DOCUMENTS

- D. 276,456 11/1984 Primawlt D23/280.2
- D. 375,153 10/1996 Jacuzzi D23/280.3
- D. 377,970 2/1997 Dannenberg D23/277

Primary Examiner—Louis S. Zarfes

Assistant Examiner—Eric Watterson

Attorney, Agent, or Firm—Jacobson, Price, Holman & Stern, PLLC

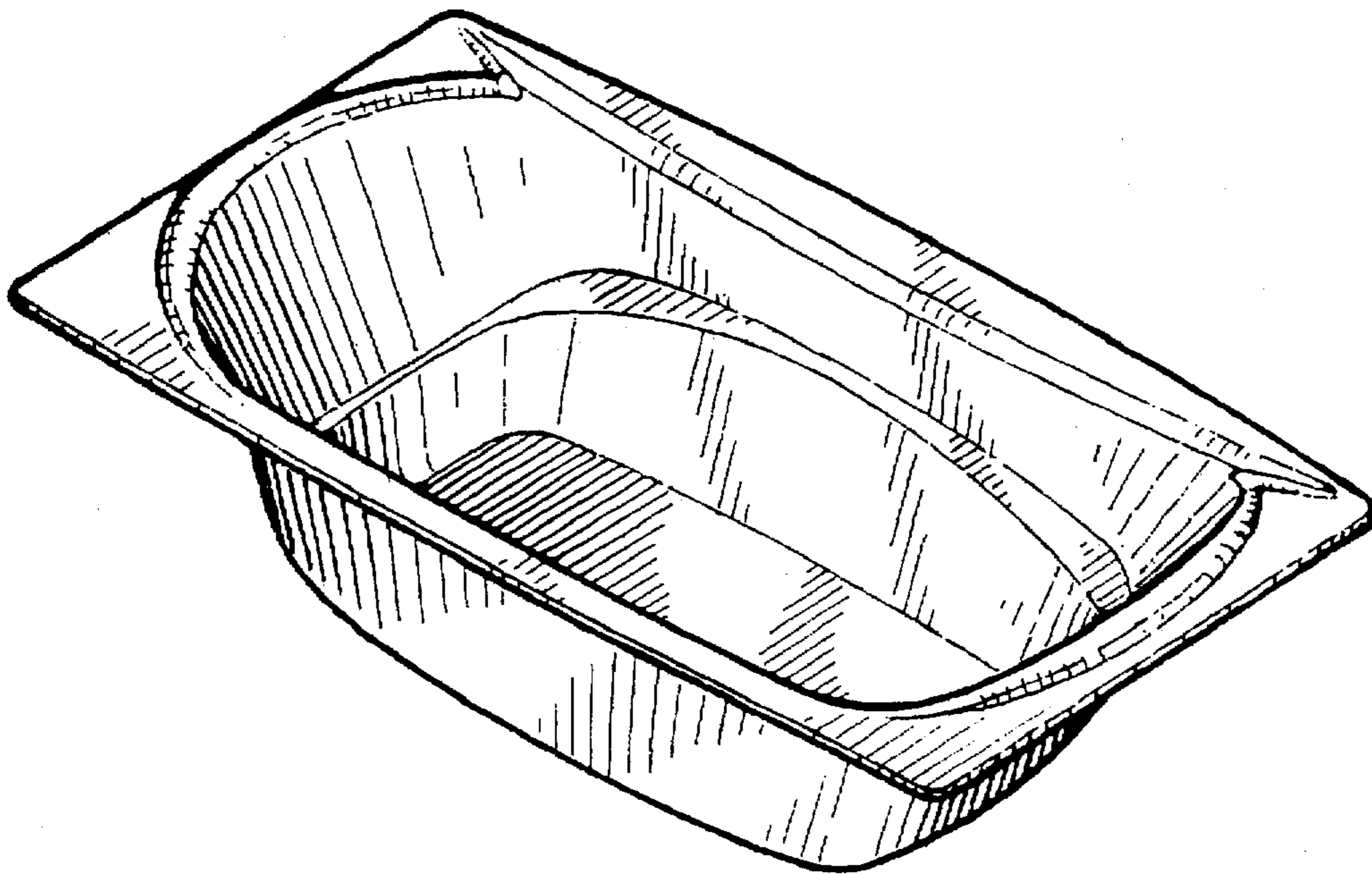
[57] **CLAIM**

The ornamental design for the bathtub, as shown and described.

DESCRIPTION

FIG. 1 is a front perspective view of the bathtub embodying my design;
 FIG. 2 is a top plan view of FIG. 1;
 FIG. 3 is a cross-sectional view taken along line 3—3 of FIG. 2;
 FIG. 4 is a cross-sectional view taken along line 4—4 of FIG. 2;
 FIG. 5 is a cross-sectional view taken along line 5—5 of FIG. 2;
 FIG. 6 is a bottom view of FIG. 1;
 FIG. 7 is a left end elevational view of FIG. 1;
 FIG. 8 is a right end elevational view of FIG. 1; and,
 FIG. 9 is a front view of FIG. 1.

1 Claim, 2 Drawing Sheets



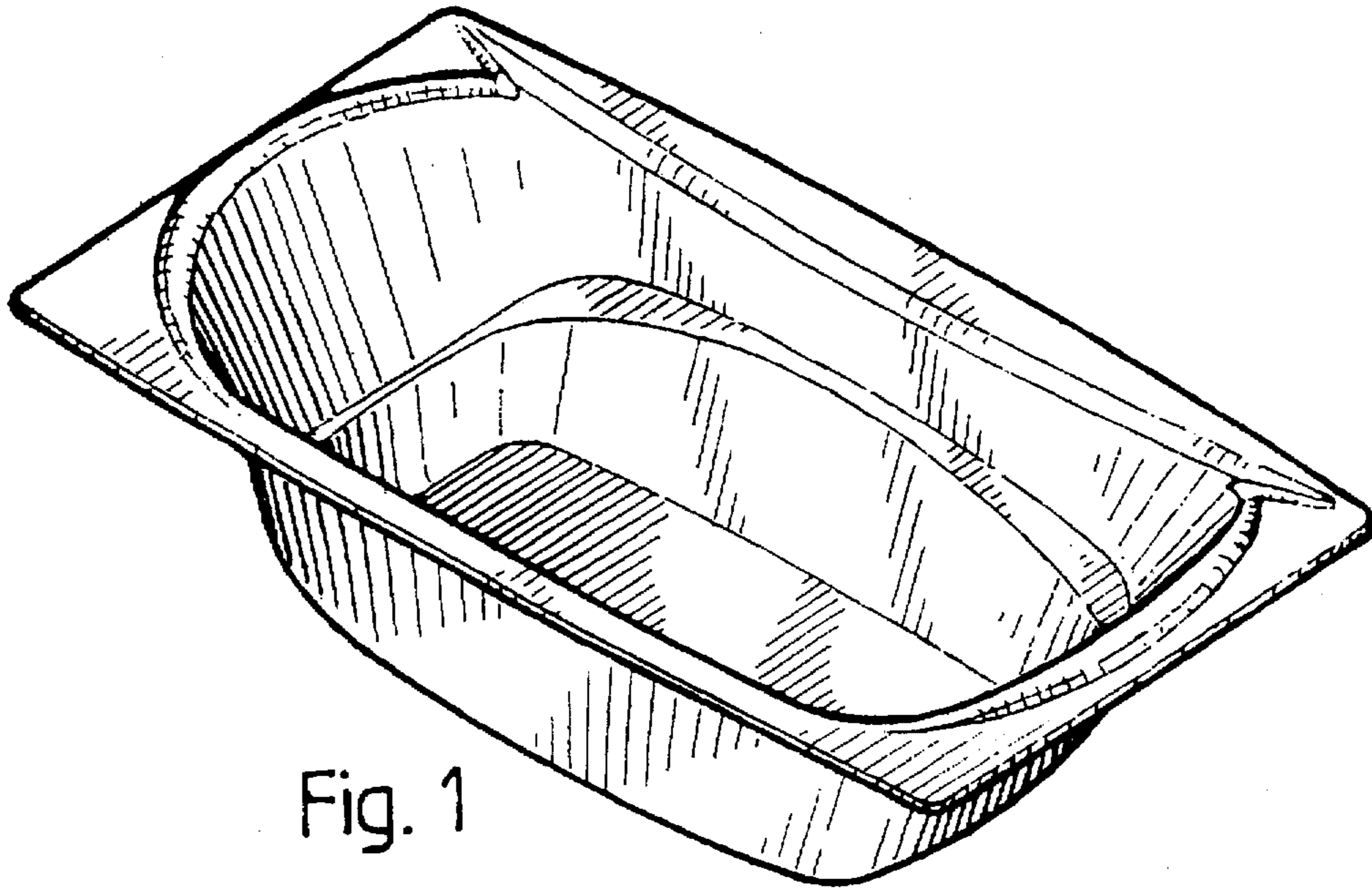


Fig. 1

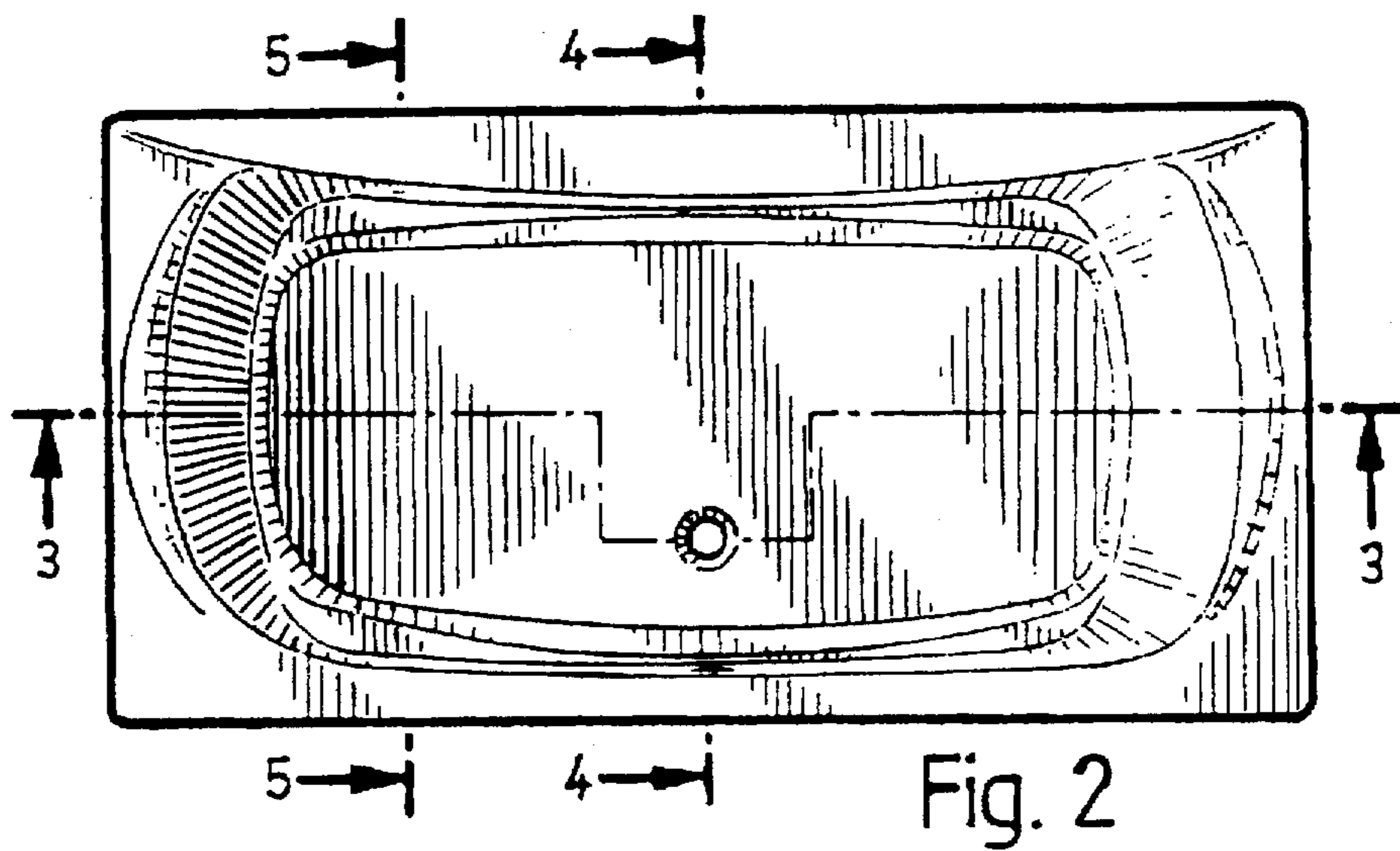


Fig. 2

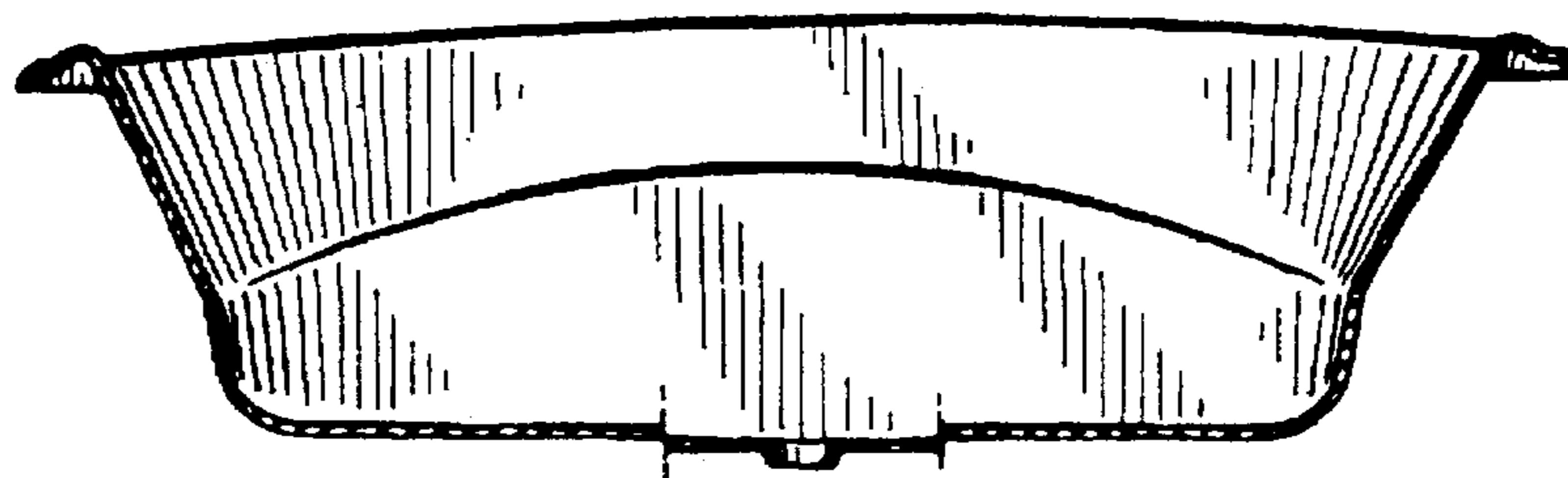


Fig. 3

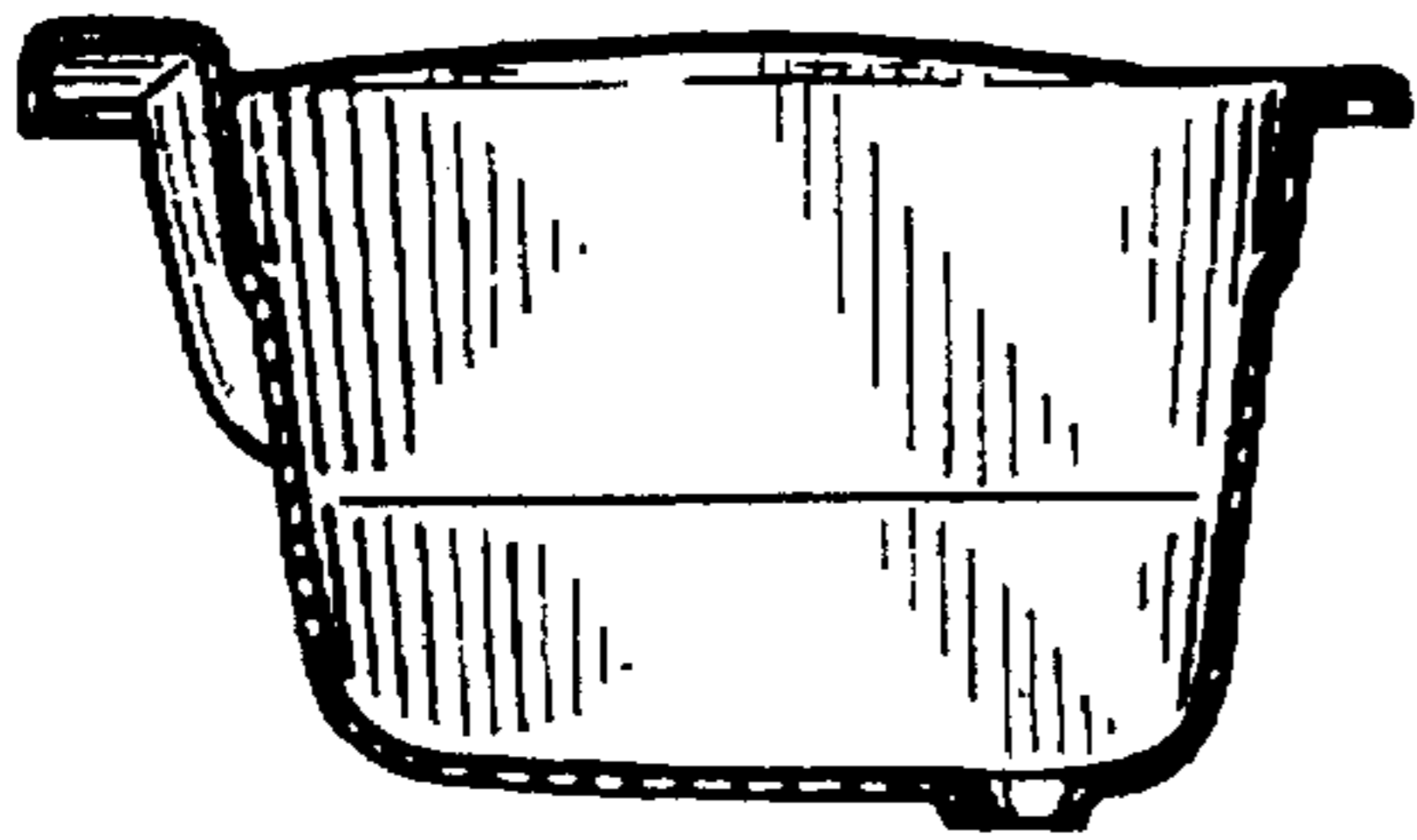


Fig. 4

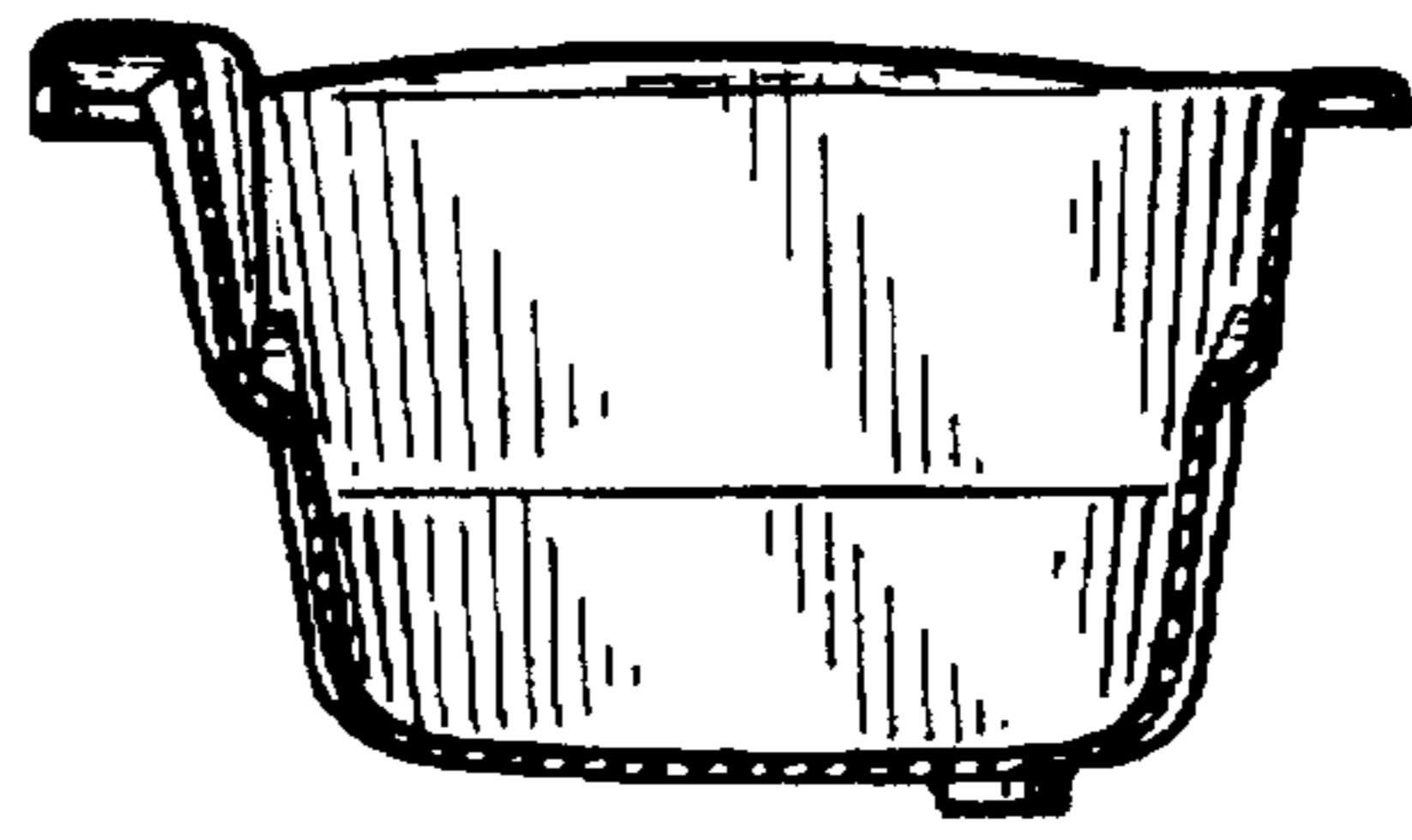


Fig. 5

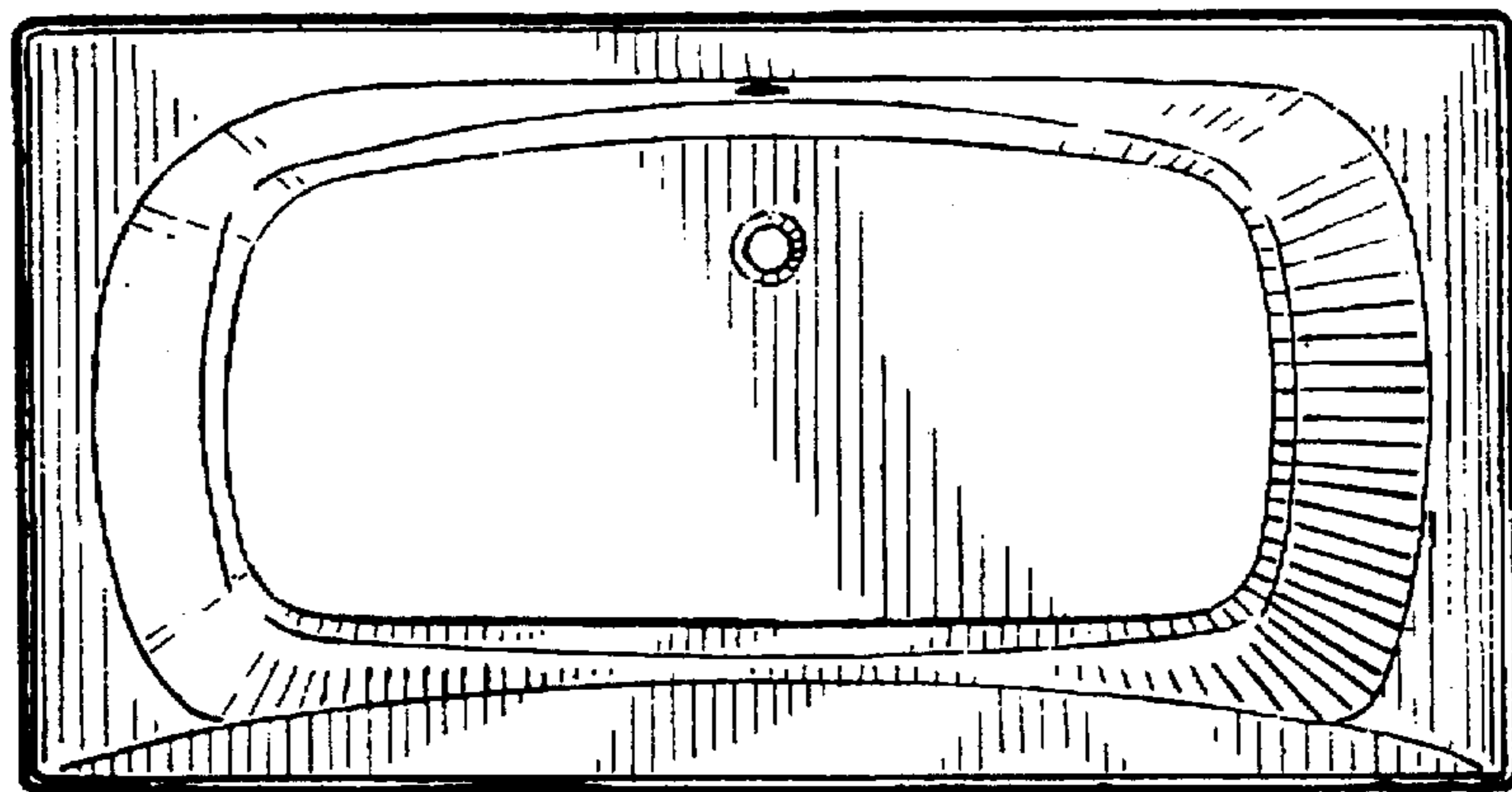


Fig. 6

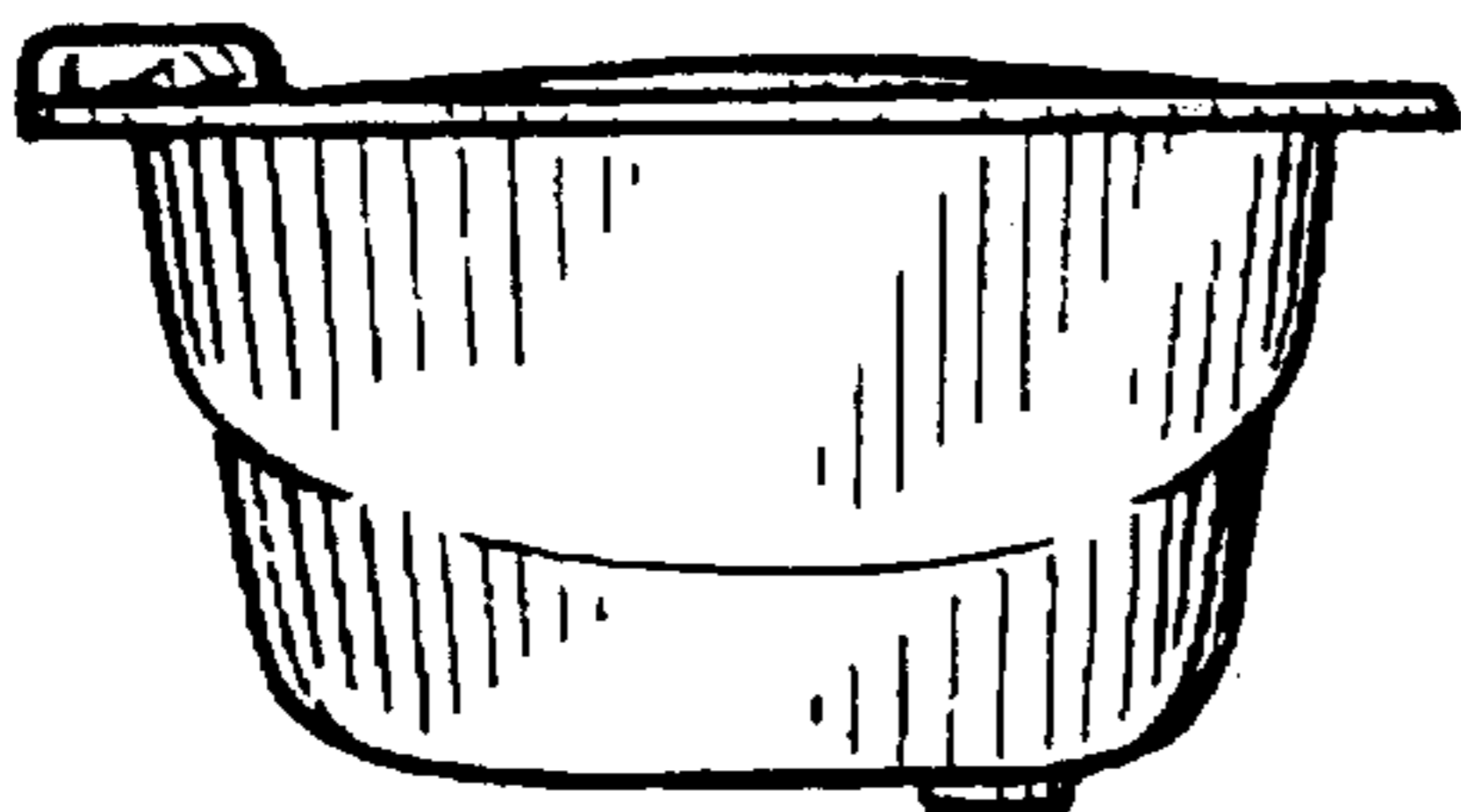


Fig. 7

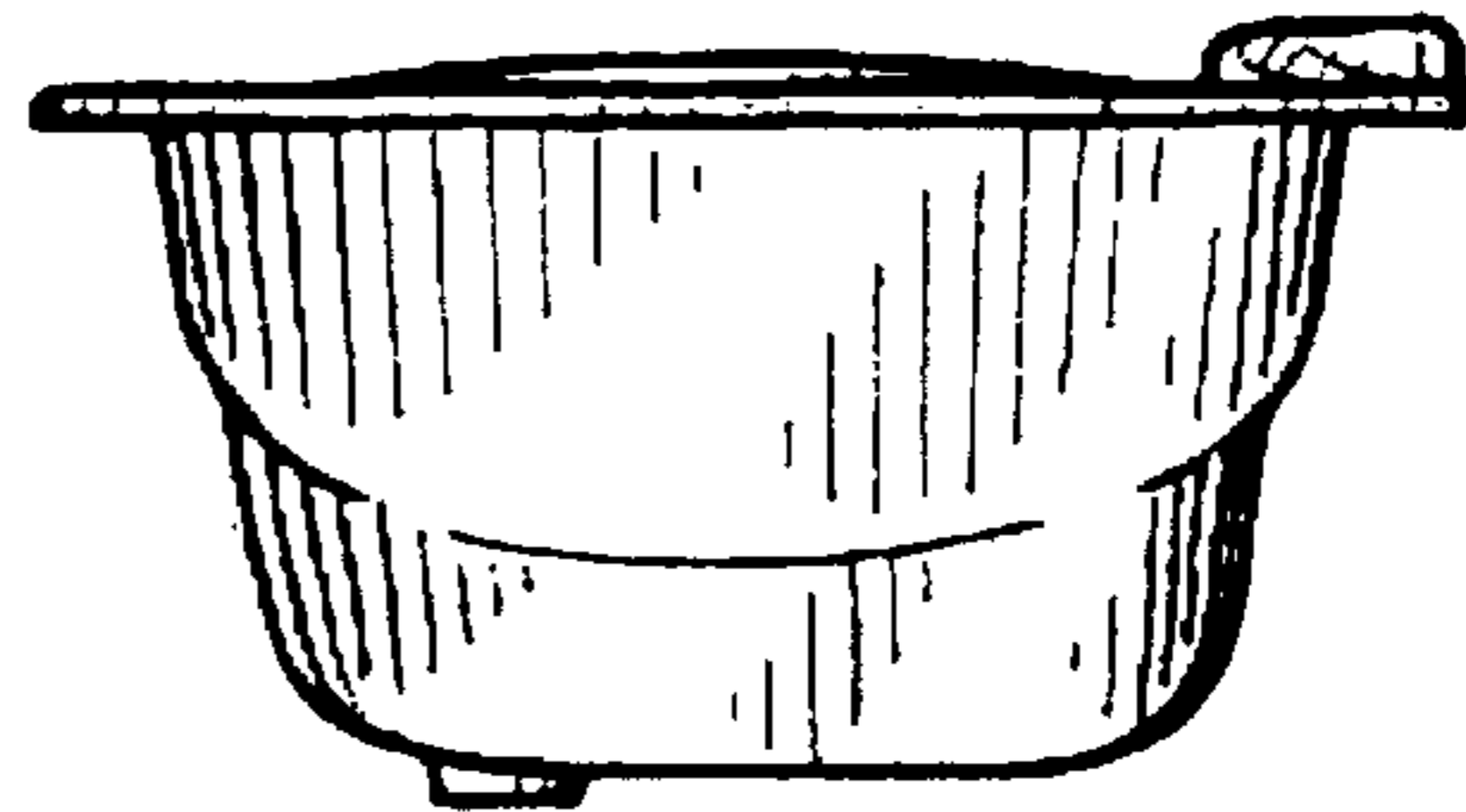


Fig. 8

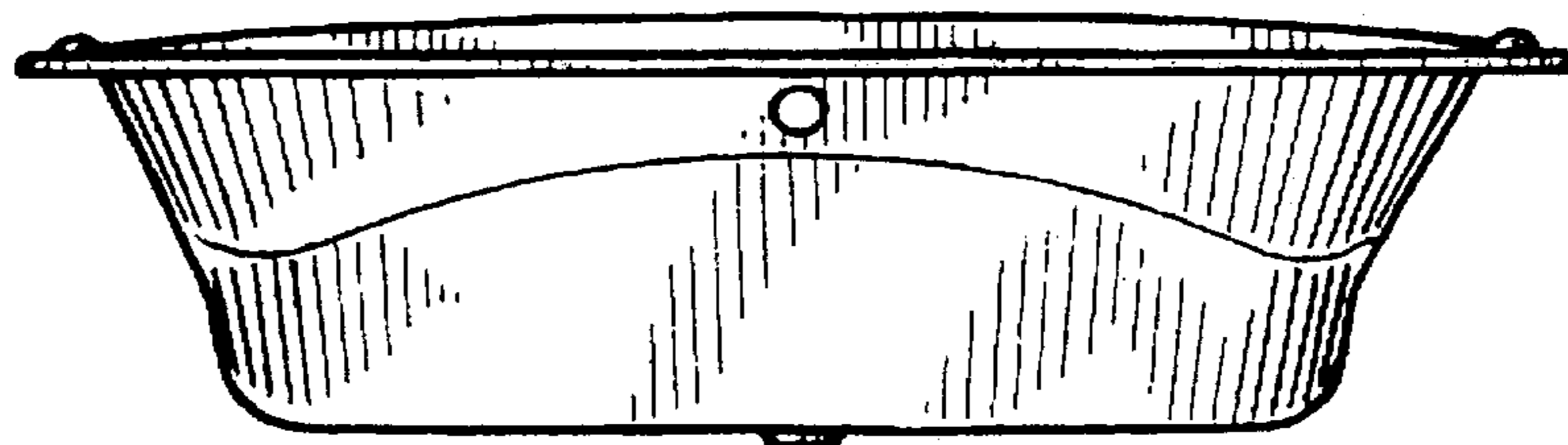


Fig. 9