



US00D393697S

United States Patent [19] Hundley

[11] Patent Number: Des. 393,697
[45] Date of Patent: **Apr. 21, 1998

[54] TUB FOR BATHING

[75] Inventor: **Jill E. Hundley**, Sheboygan, Wis.

[73] Assignee: **Kohler Co.**, Kohler, Wis.

[**] Term: **14 Years**

[21] Appl. No.: **49,465**

[22] Filed: **Jan. 25, 1996**

[51] LOC (6) Cl. **23-02**

[52] U.S. Cl. **D23/277**

[58] Field of Search D23/277, 279,
D23/280.1-280.4, 283, 538, 539, 546, 548,
551, 584, 589, 590

[56] References Cited

U.S. PATENT DOCUMENTS

- D. 350,392 9/1994 Kohler, Jr. et al. D23/277
- D. 352,097 11/1994 Kohler, Jr. et al. D23/277
- D. 377,970 2/1997 Dannenberg D23/277

OTHER PUBLICATIONS

- 1990 Kohler catalog ad, p. 8-5, showing a "Maestro" bath.
- 1990 Kohler catalog ad, p. 8-12, showing a "Cocoon" bath.
- Undated Jacuzzi catalog ad showing a "Lumiere" bath, admitted prior art.

Primary Examiner—Louis S. Zarfaz
Assistant Examiner—Eric Watterson
Attorney, Agent, or Firm—Quarles & Brady

[57] CLAIM

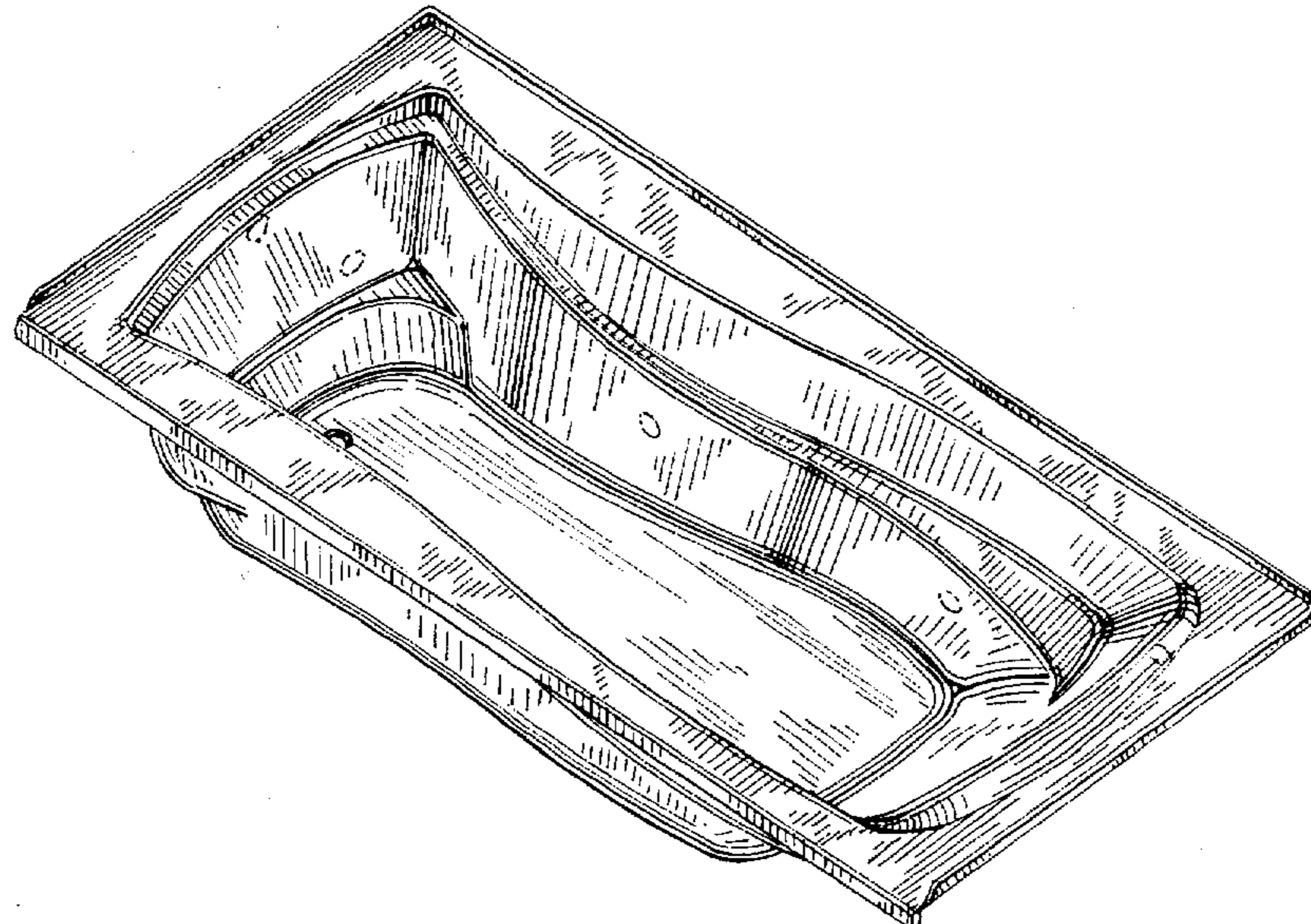
The ornamental design for a tub for bathing, as shown and described.

DESCRIPTION

FIG. 1 is a right, top, front perspective view of a tub for bathing embodying my new design;
 FIG. 2 is a top plan view thereof;
 FIG. 3 is a front elevational view thereof;
 FIG. 4 is a left side elevational view thereof;
 FIG. 5 is a right side elevational view thereof;
 FIG. 6 is a bottom plan view thereof;
 FIG. 7 is a rear elevational view thereof;
 FIG. 8 is a cross-sectional view taken along line 8—8 of FIG. 2;
 FIG. 9 is a cross-sectional view taken along line 9—9 of FIG. 2;
 FIG. 10 is a right, top, front perspective view of a second embodiment;
 FIG. 11 is a top plan view thereof;
 FIG. 12 is a front elevational view thereof;
 FIG. 13 is a left side elevational view thereof;
 FIG. 14 is a right side elevational view thereof;
 FIG. 15 is a bottom plan view thereof;
 FIG. 16 is a rear elevational view thereof;
 FIG. 17 is a cross-sectional view taken along line 17—17 of FIG. 11;
 FIG. 18 is a cross-sectional view taken along line 18—18 of FIG. 11;
 FIG. 19 is a top plan view of a third embodiment, the view being a mirror image of FIG. 2;
 FIG. 20 is a top plan view of a fourth embodiment, the view being a mirror image of FIG. 11;
 FIG. 21 is a right, top, front perspective view of a fifth embodiment;
 FIG. 22 is a top plan view thereof;
 FIG. 23 is a right, top, front perspective view of a sixth embodiment, the view being a mirror image of FIG. 21; and,
 FIG. 24 is a top plan view thereof.

The broken line representations of whirlpool holes in FIGS. 1, 21, and 23 are for purposes of illustration only, and form no part of the claimed design.

1 Claim, 9 Drawing Sheets



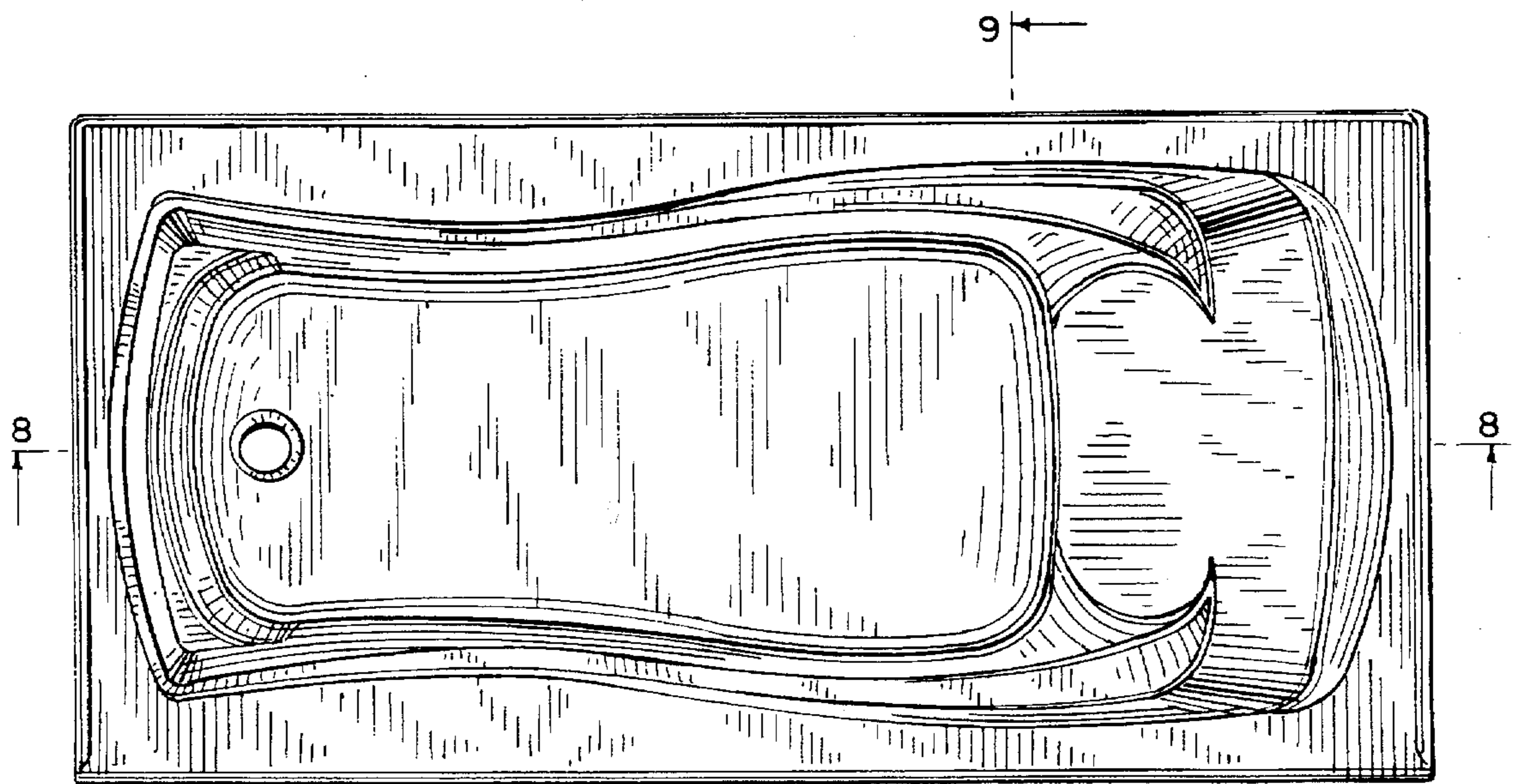
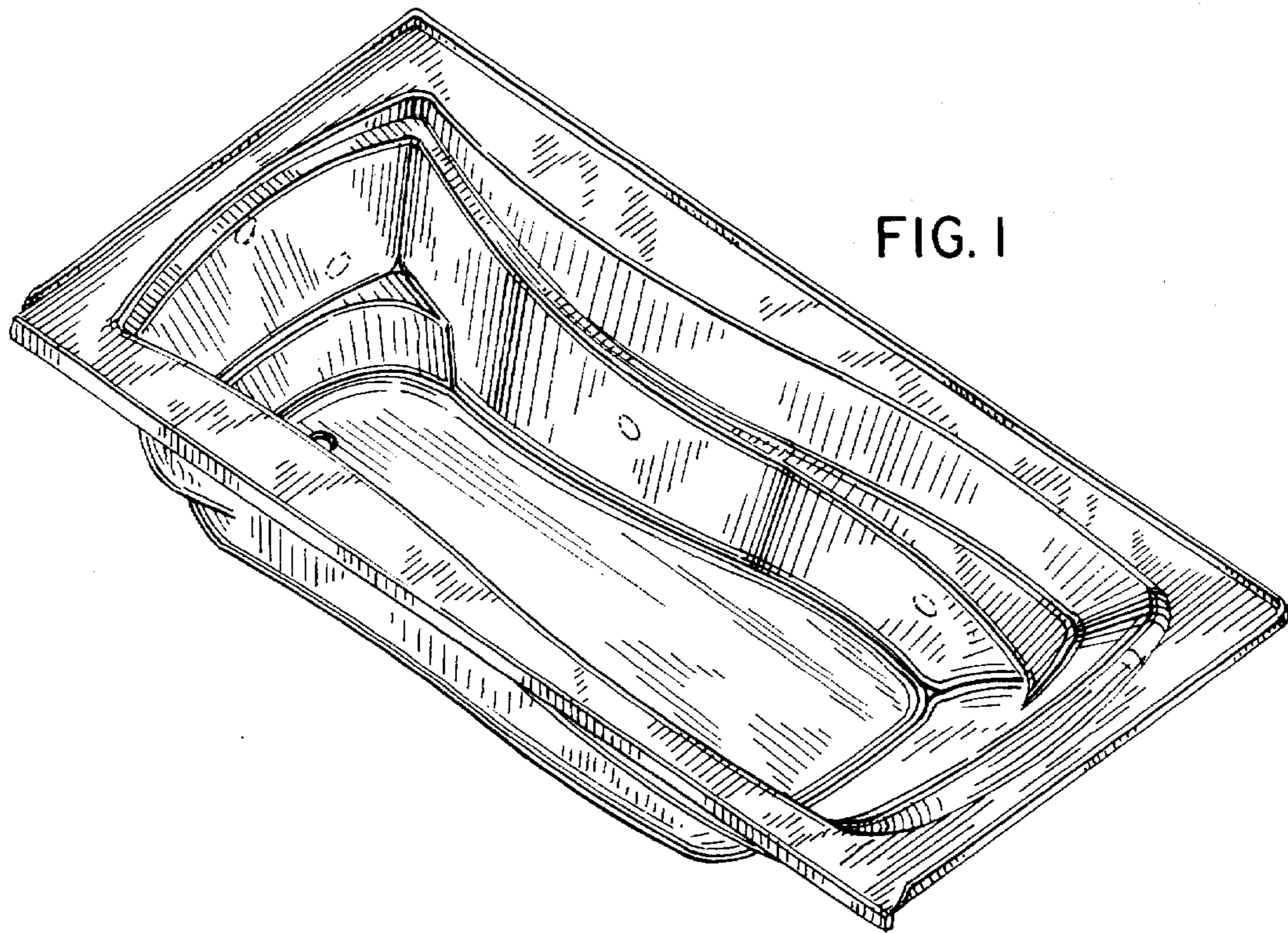


FIG. 2

FIG. 3

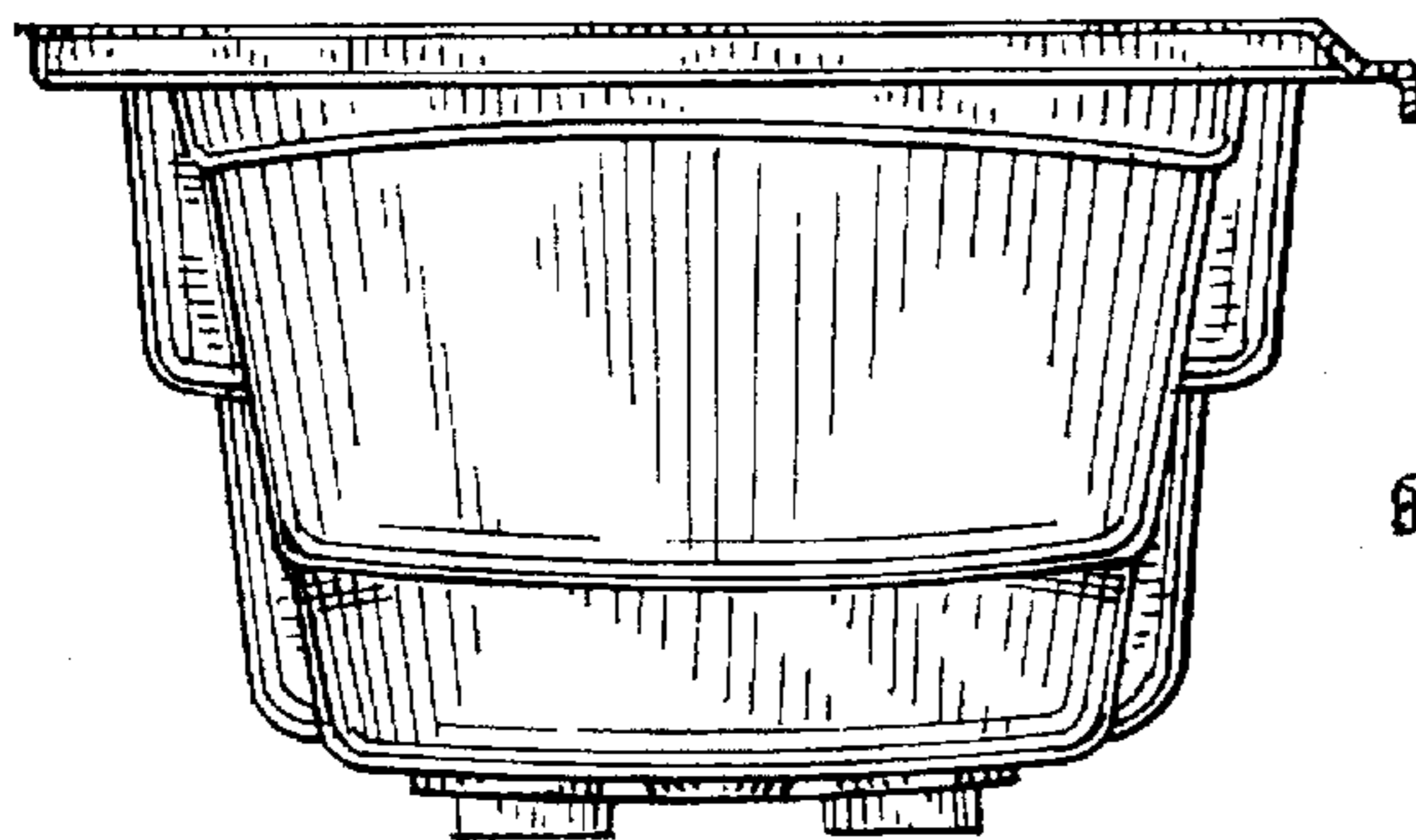
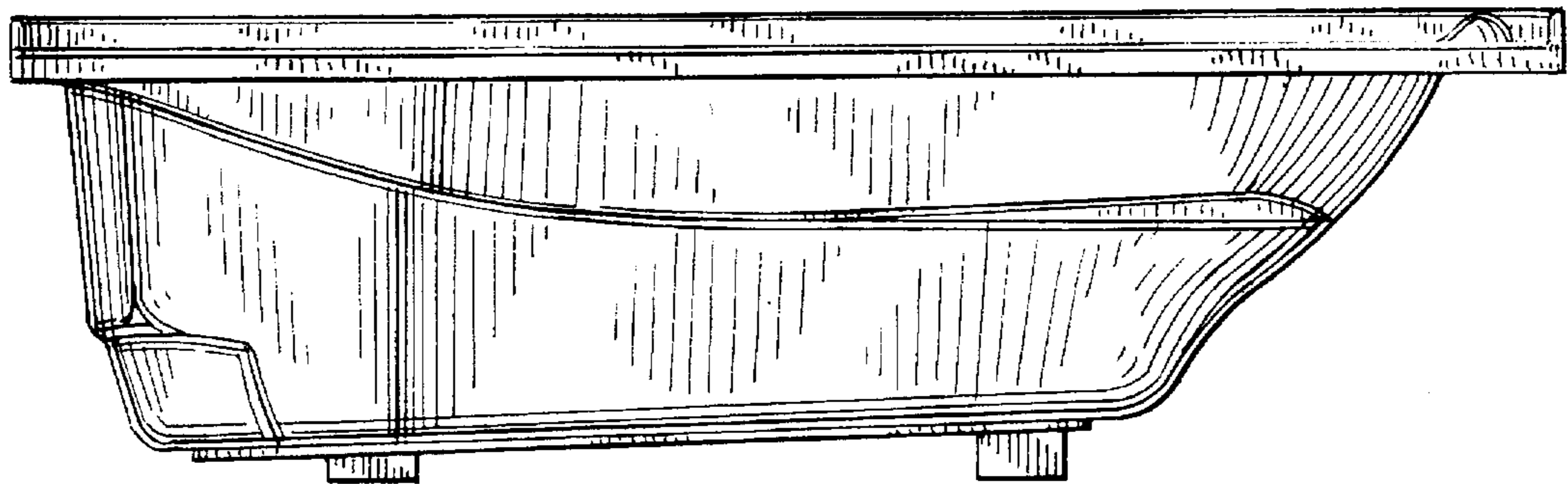


FIG. 4

FIG. 5

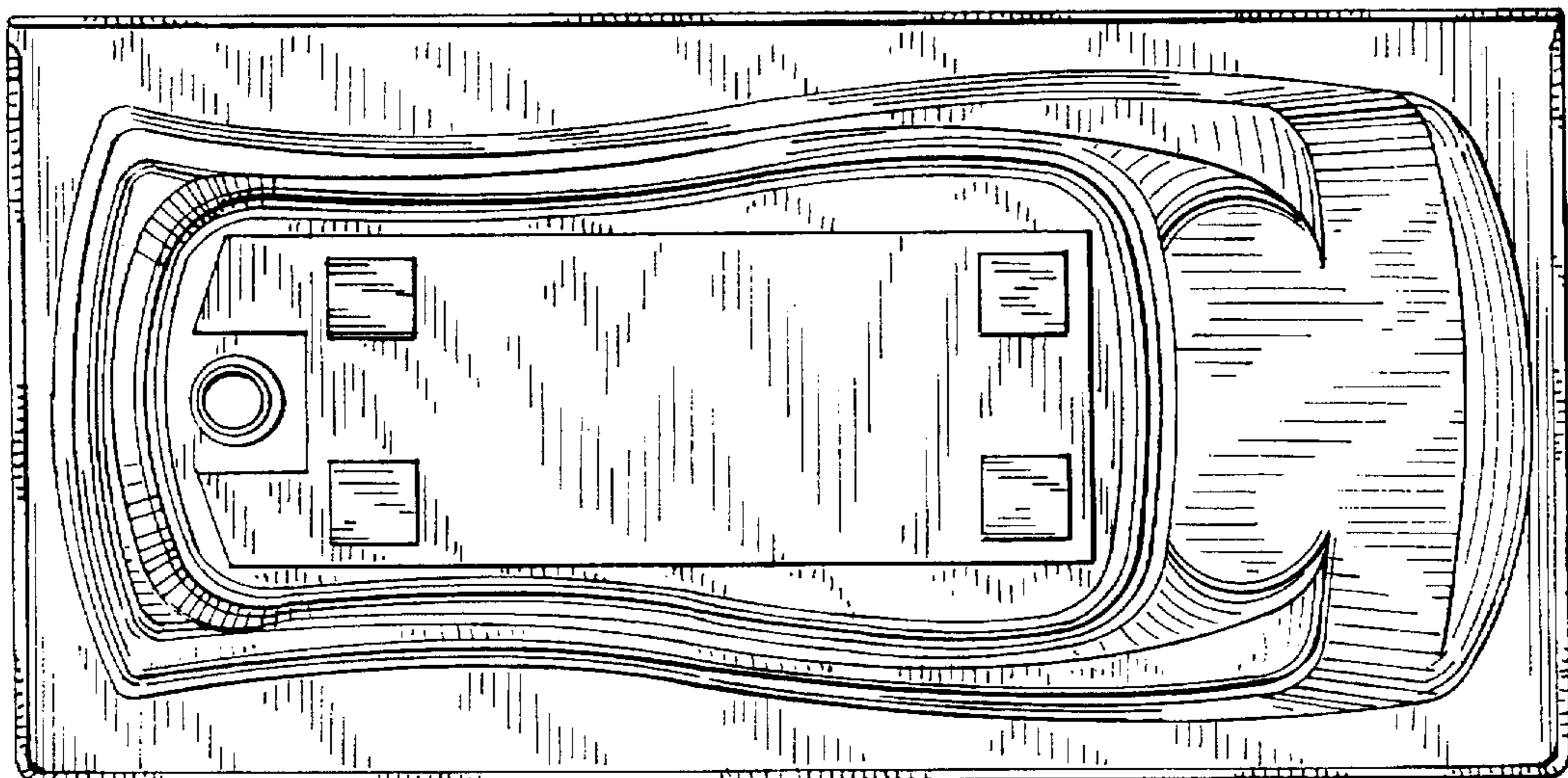
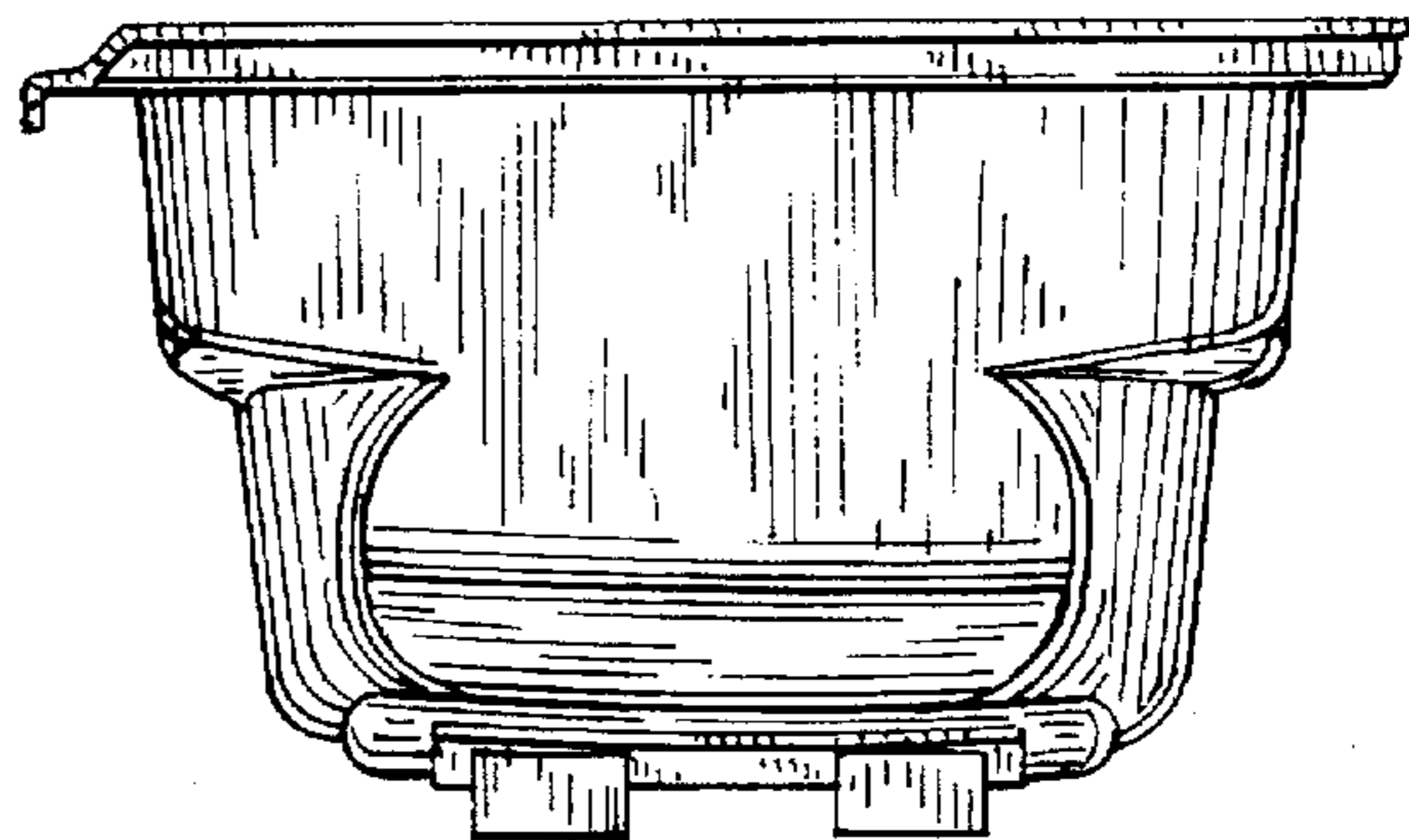


FIG. 6

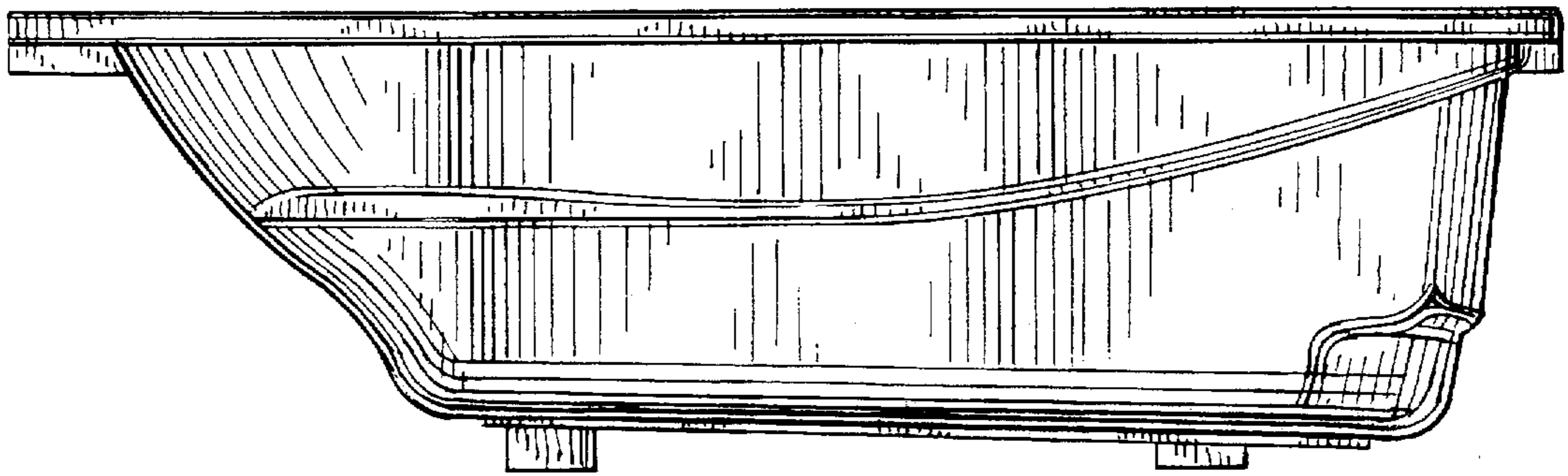


FIG. 7

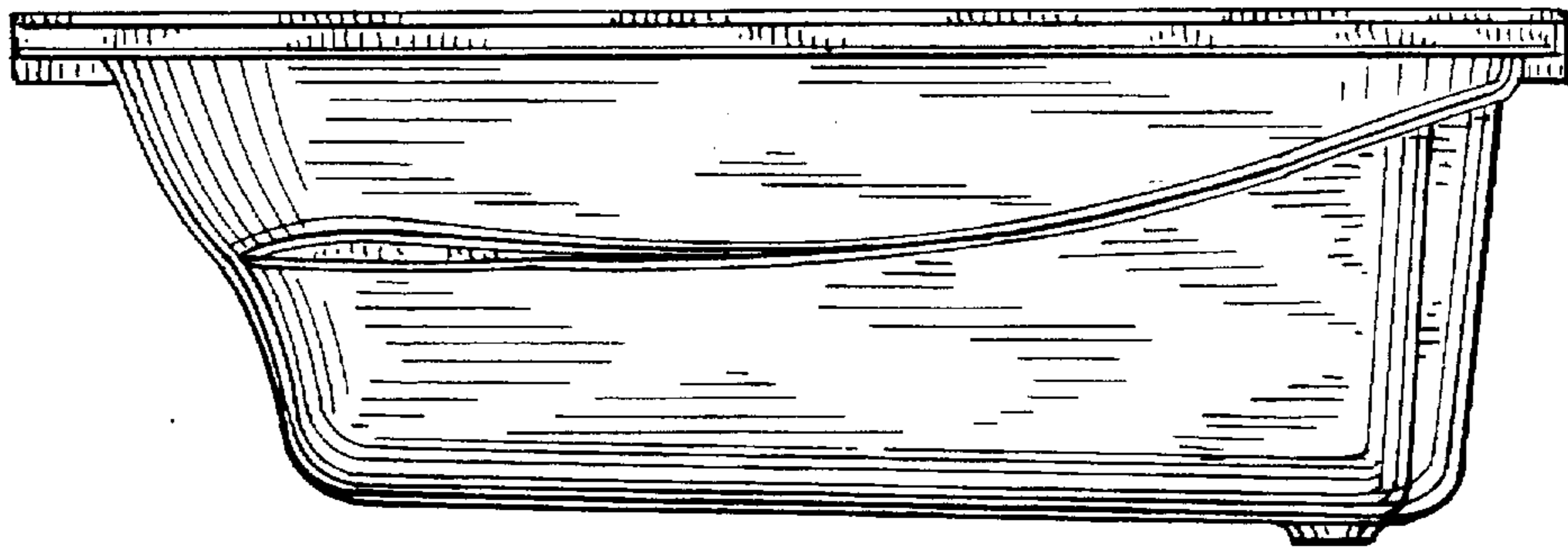


FIG. 16

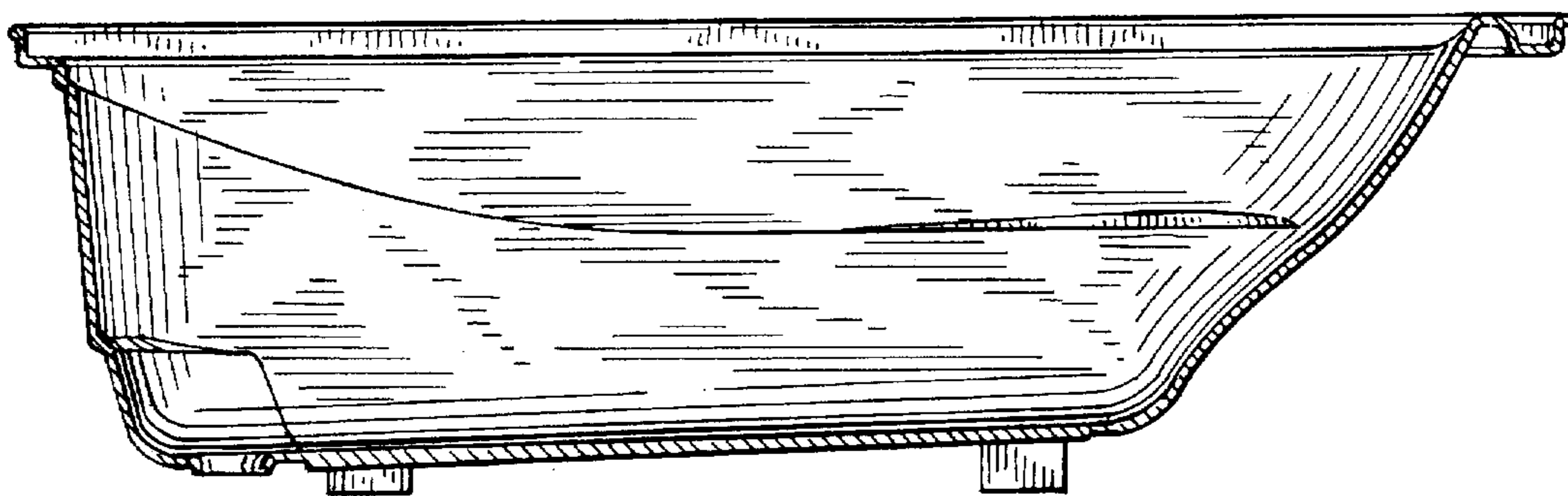


FIG. 8

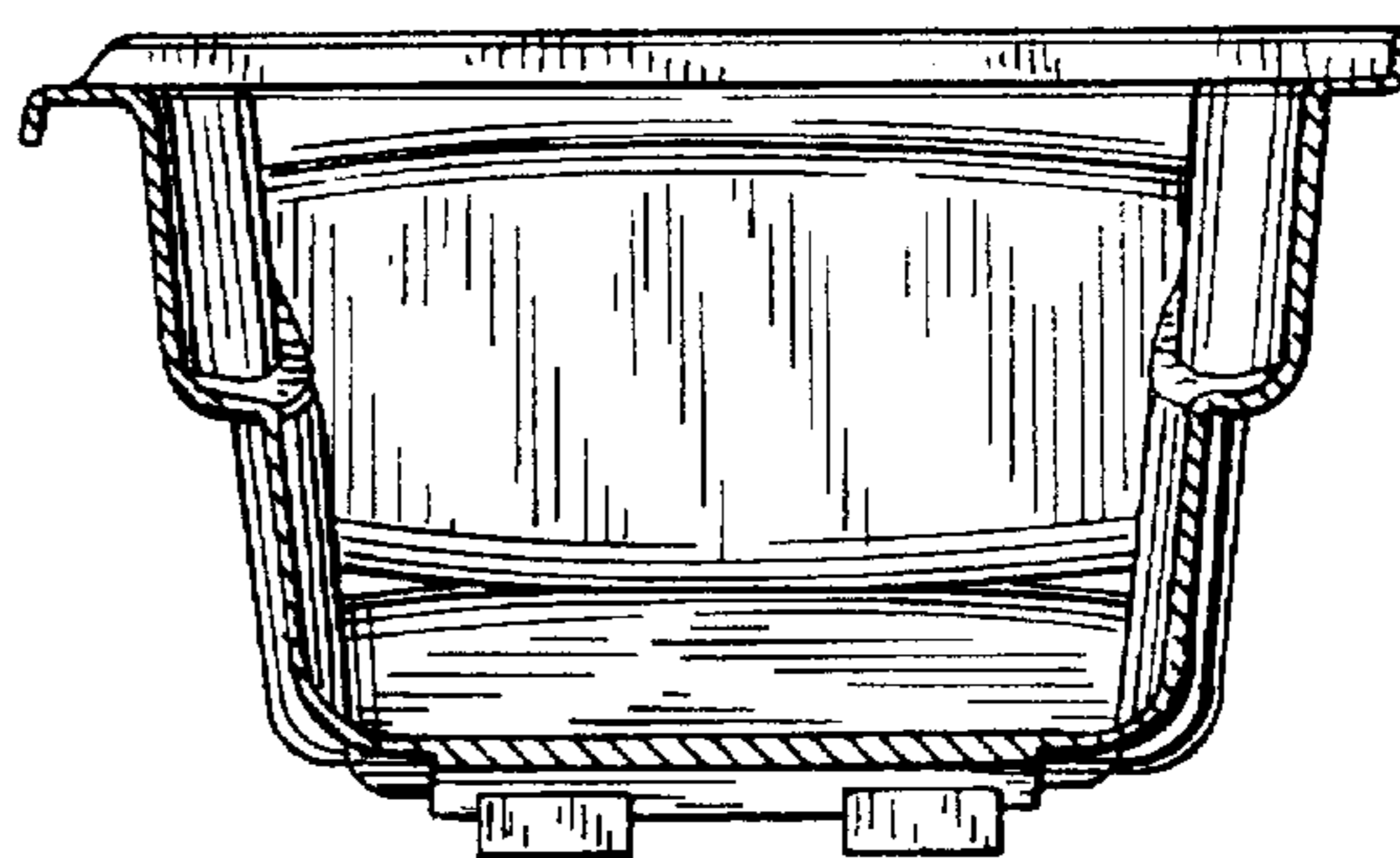


FIG. 9

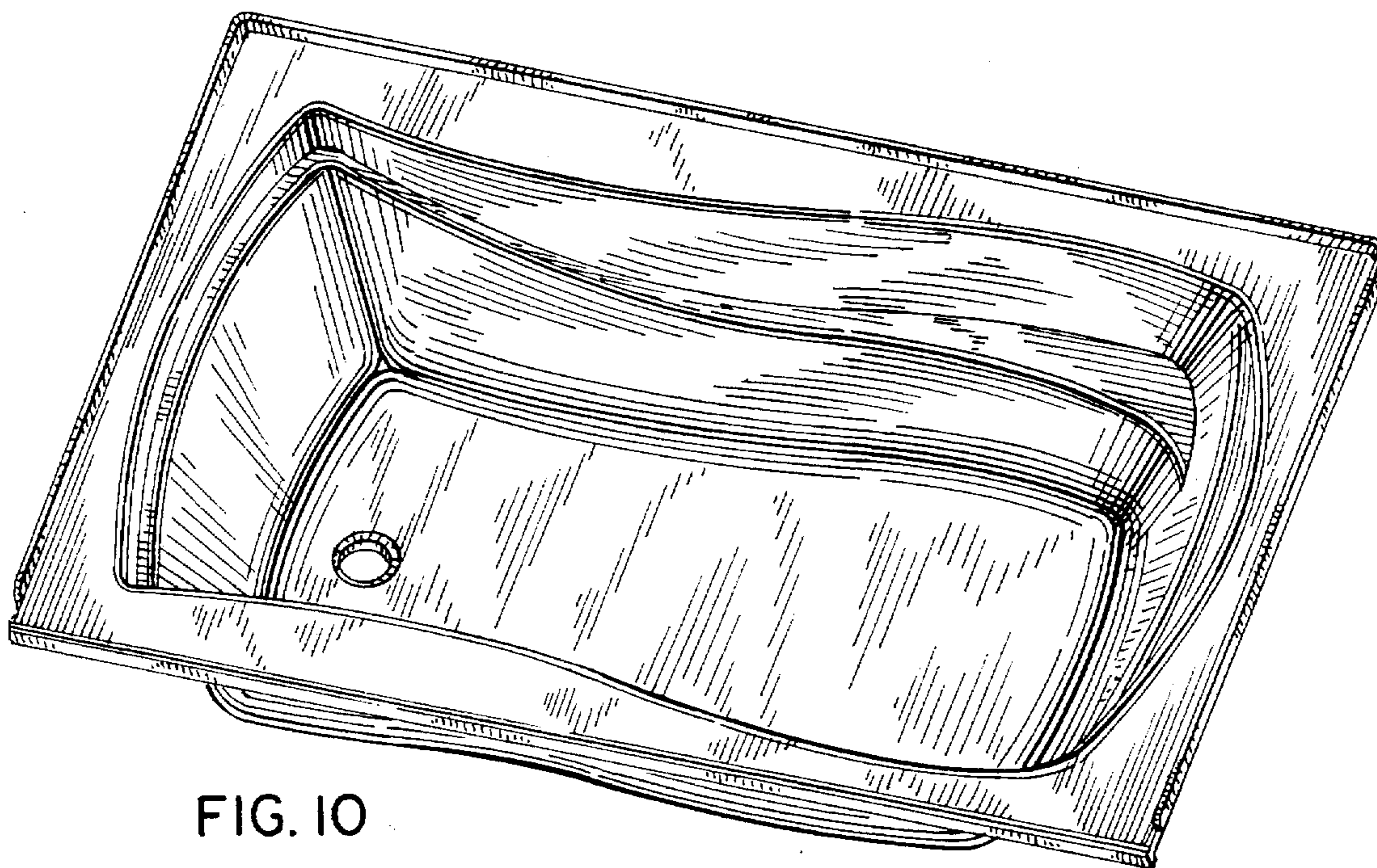


FIG. 10

FIG. 11

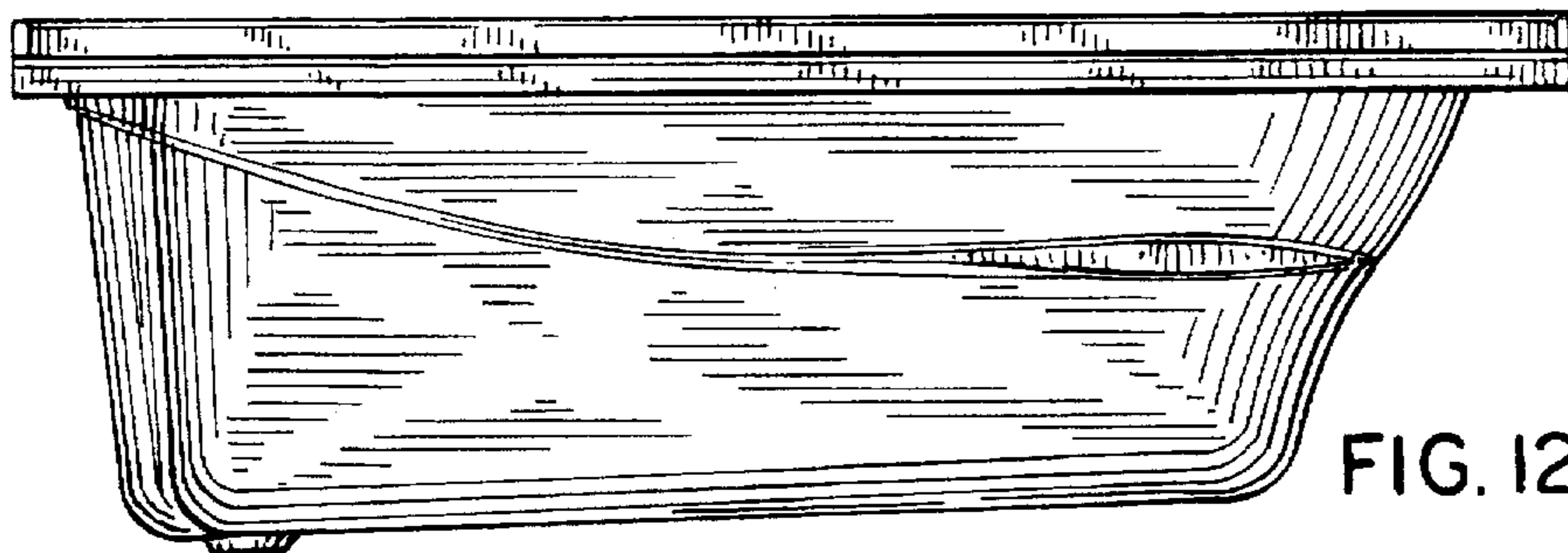
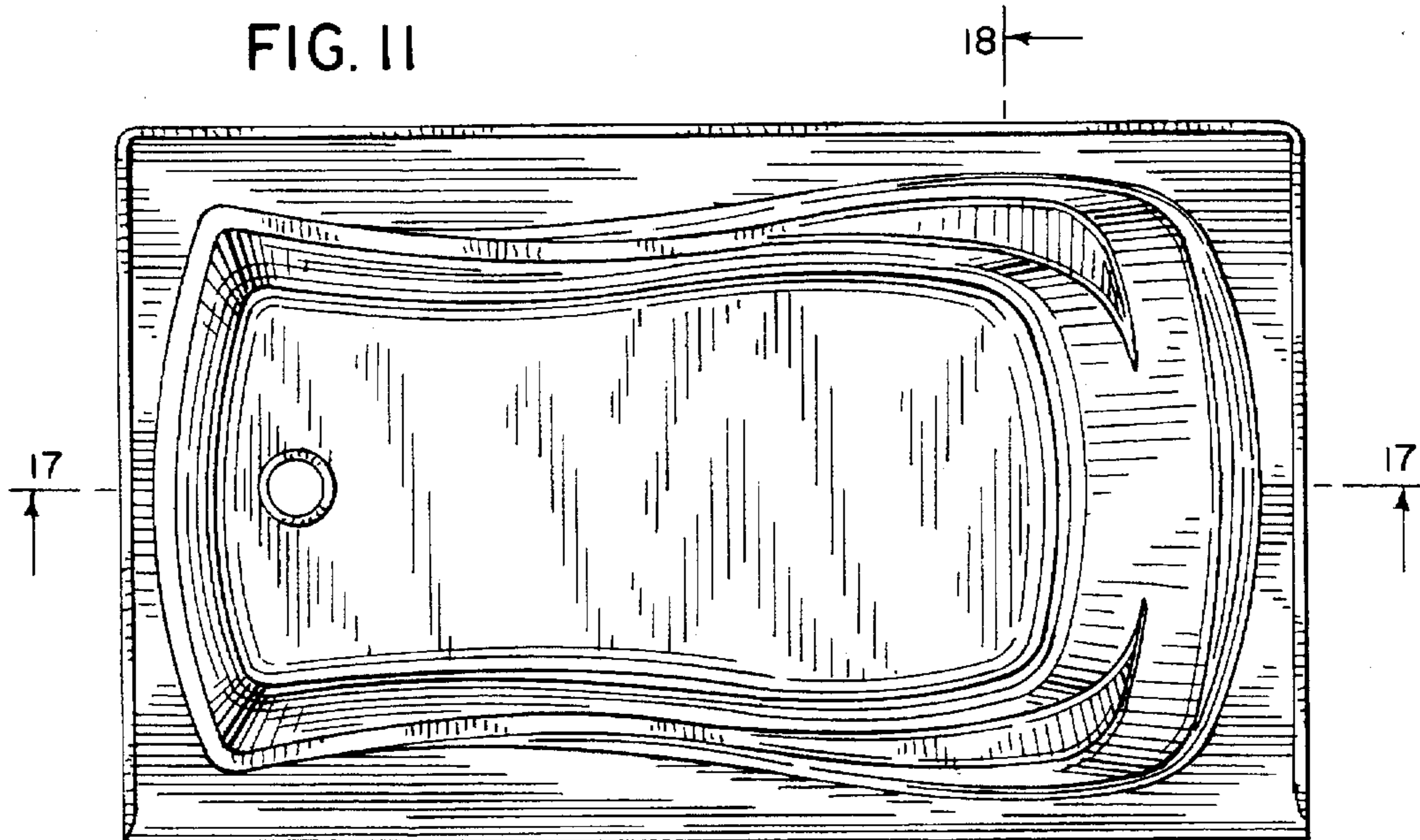


FIG. 12

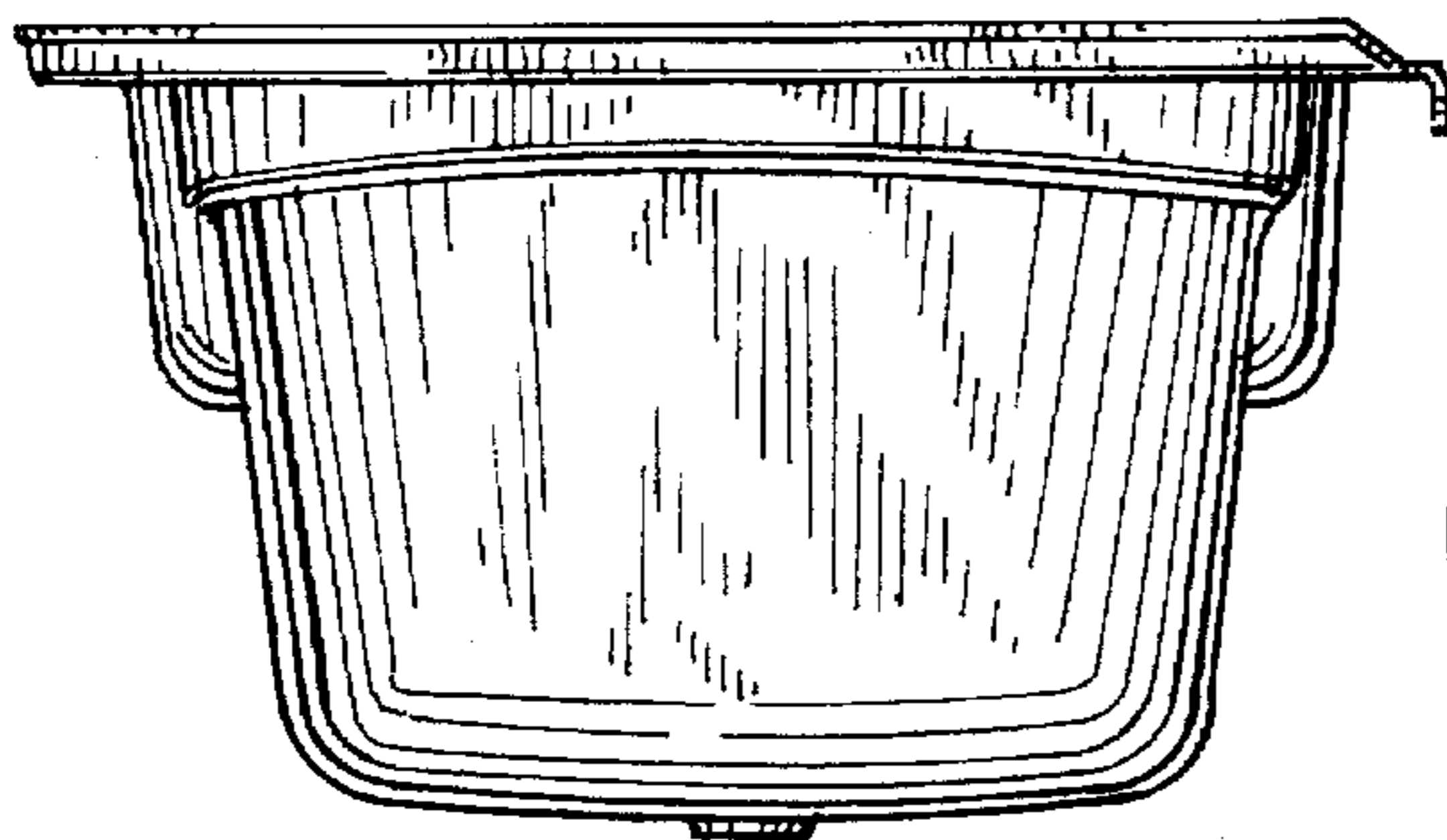


FIG. 13

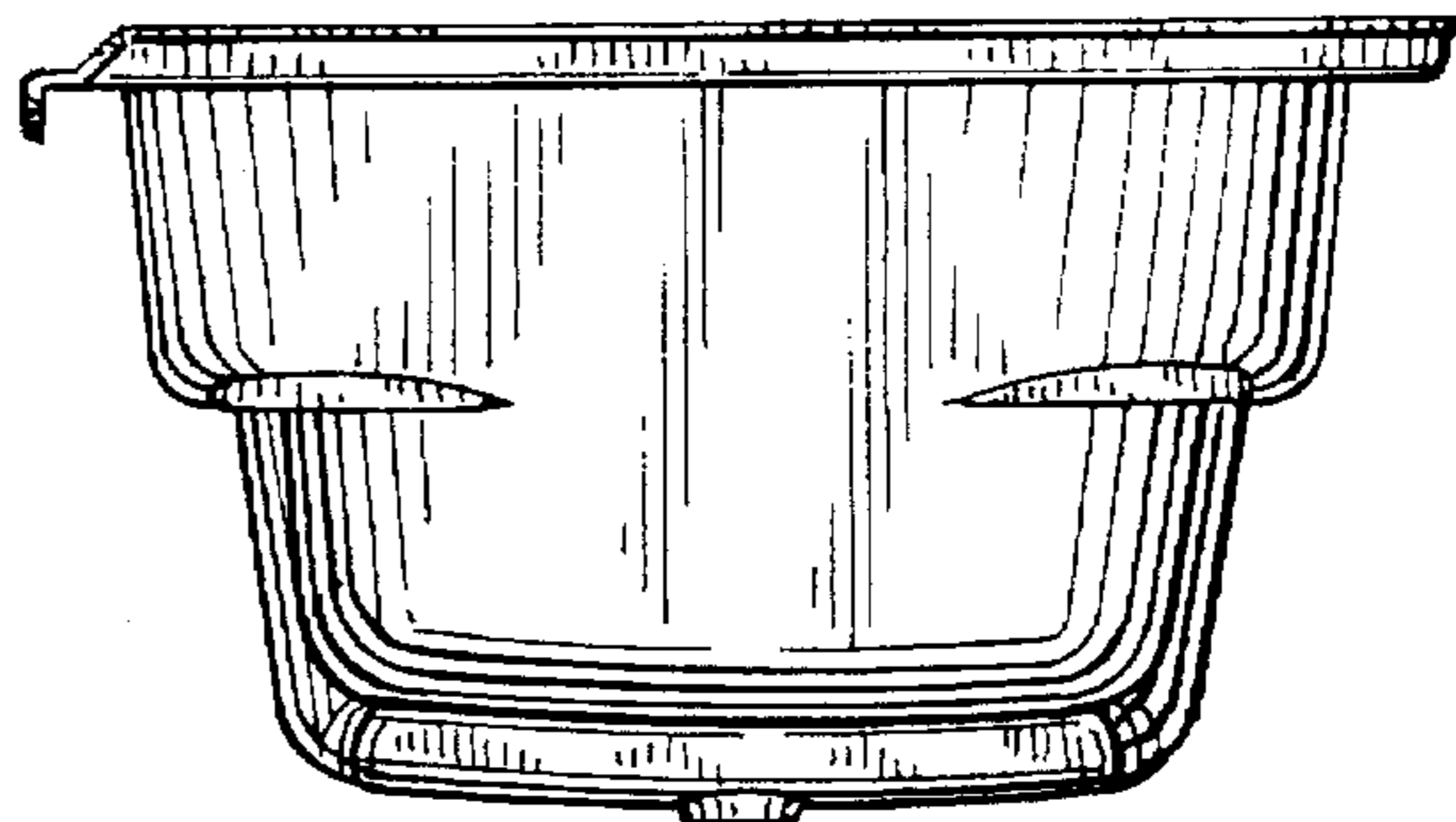


FIG. 14

FIG. 15

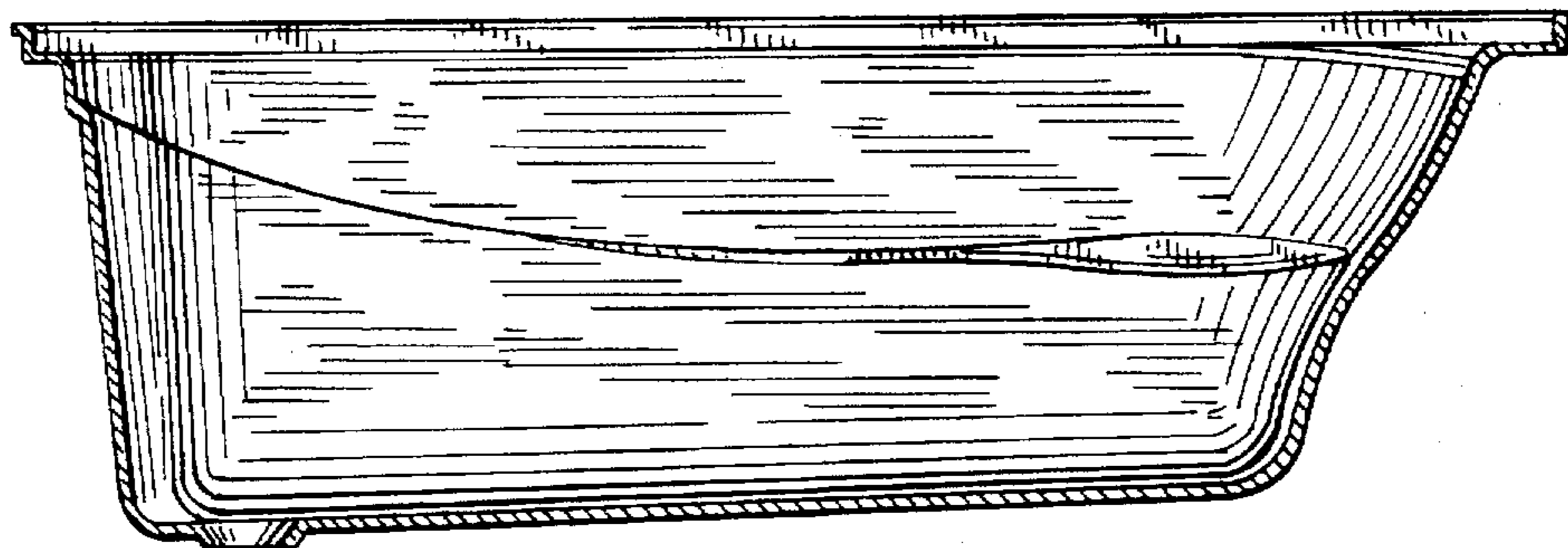
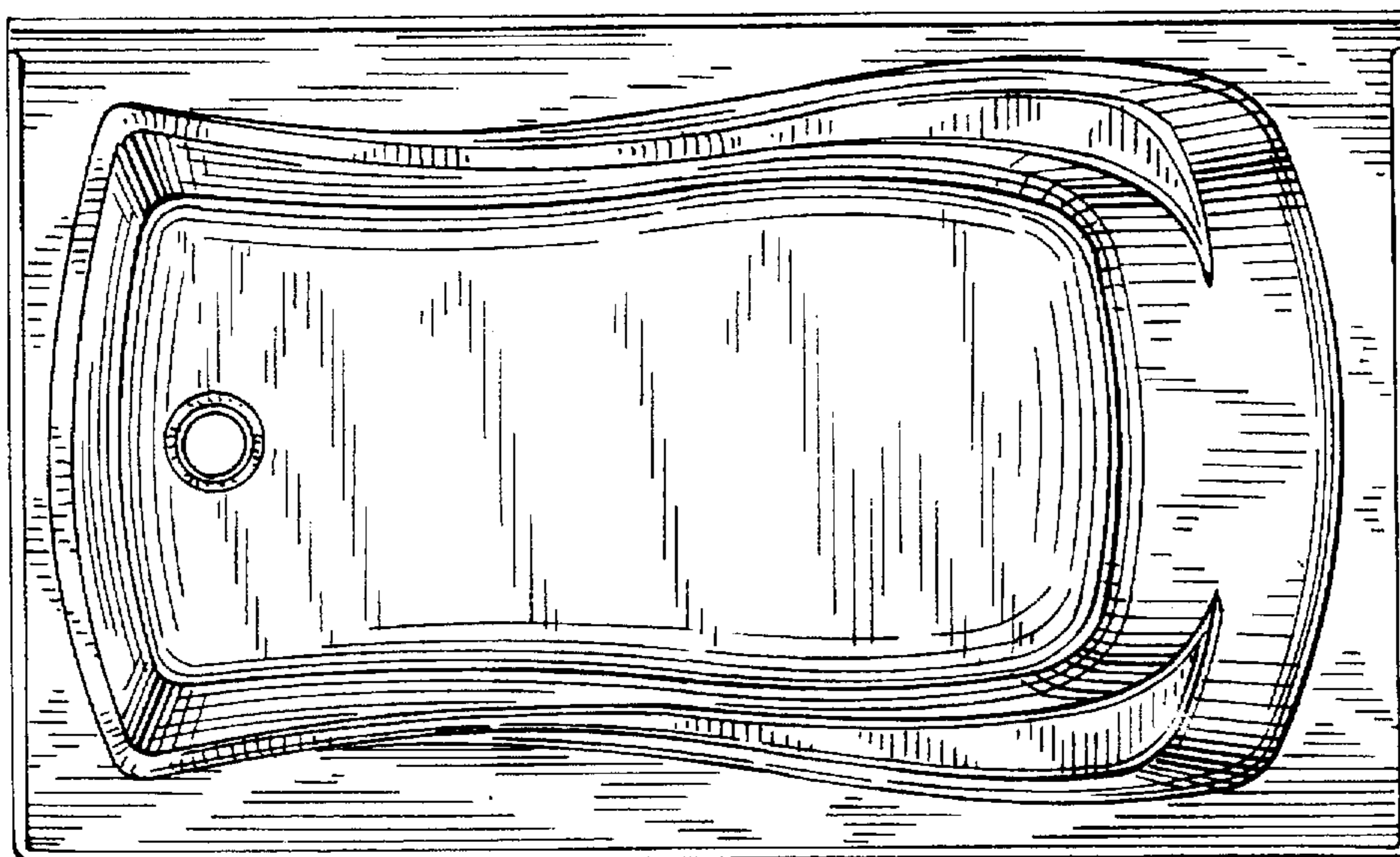


FIG. 17

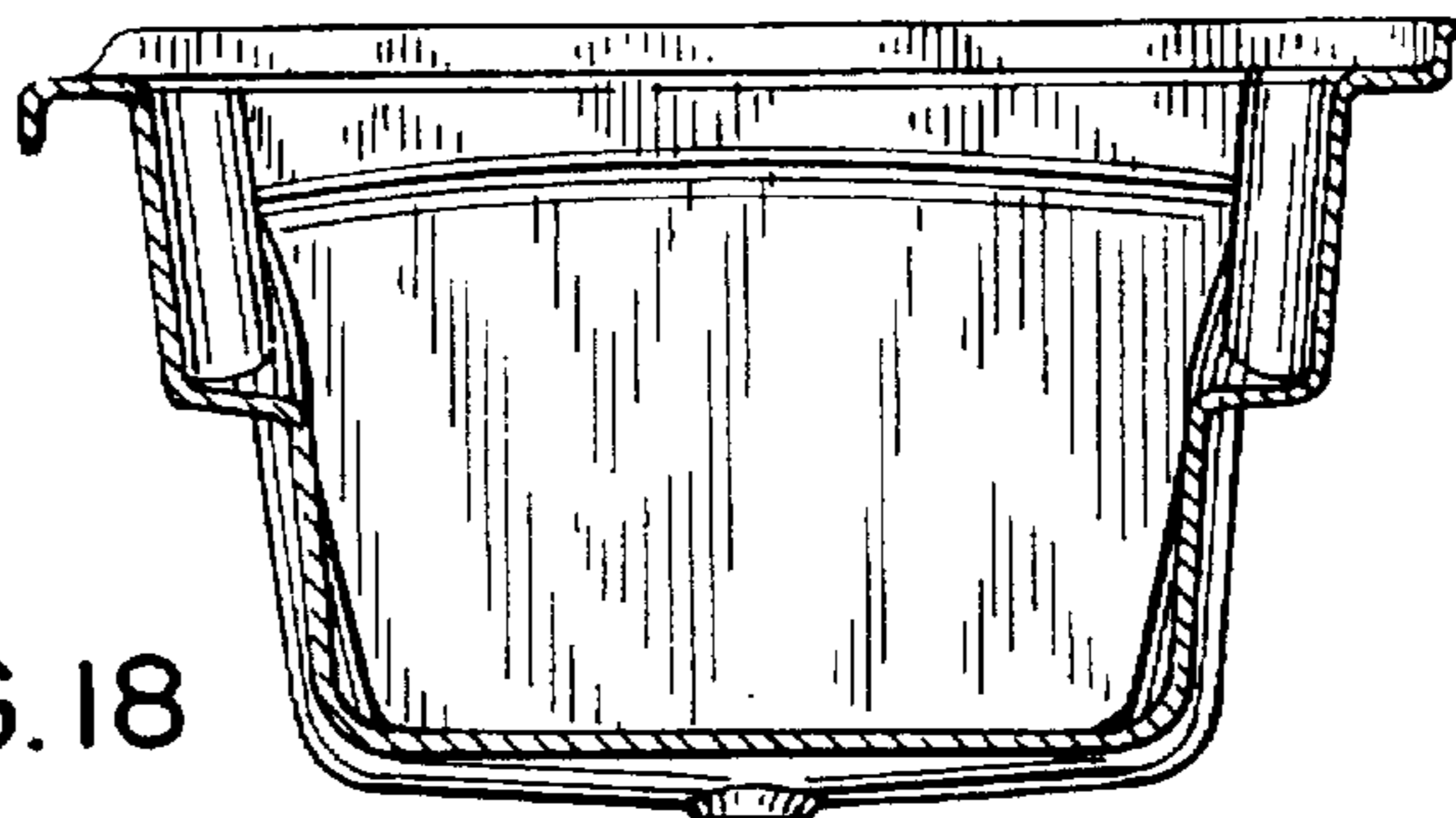


FIG. 18

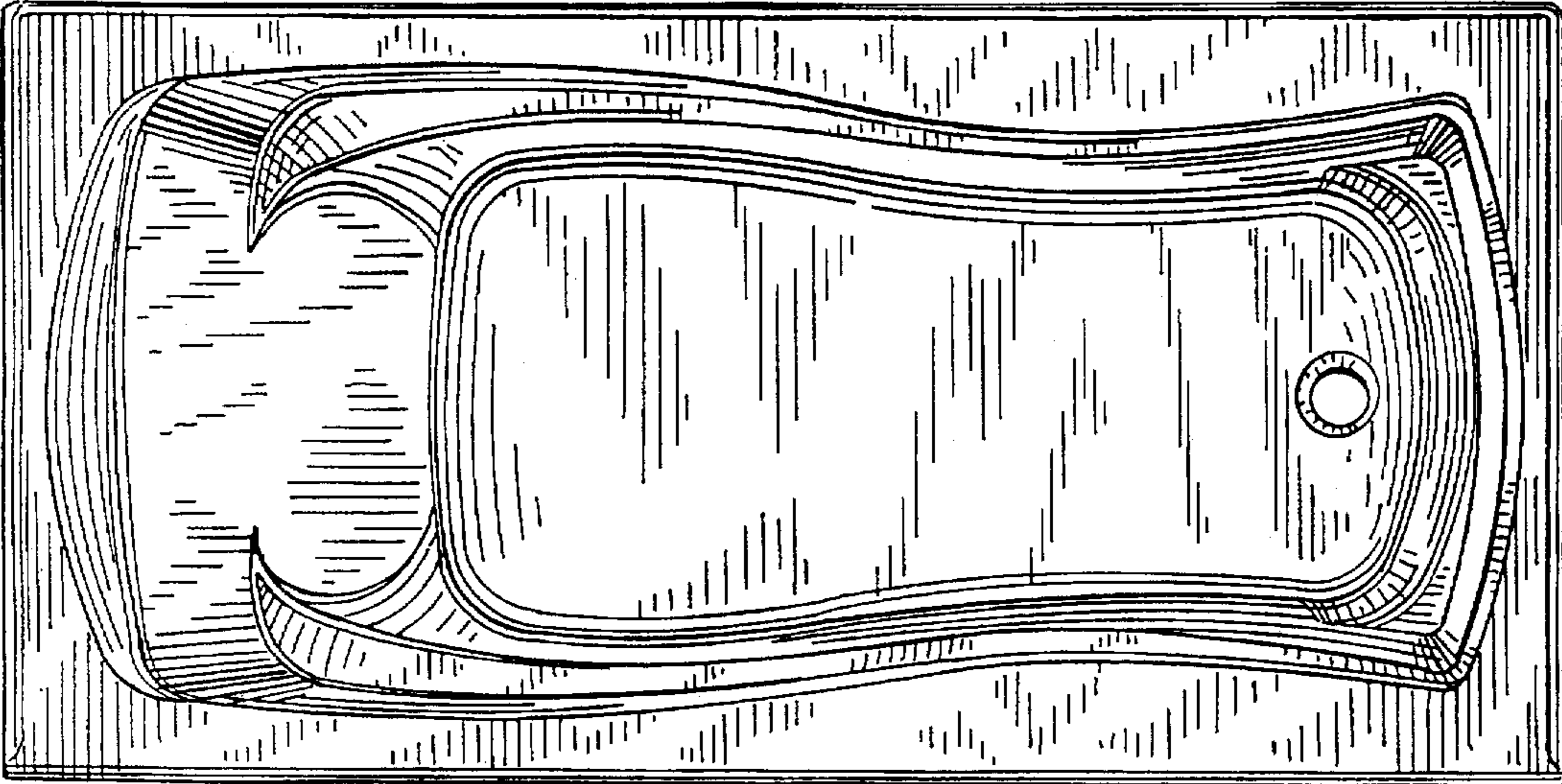


FIG. 19

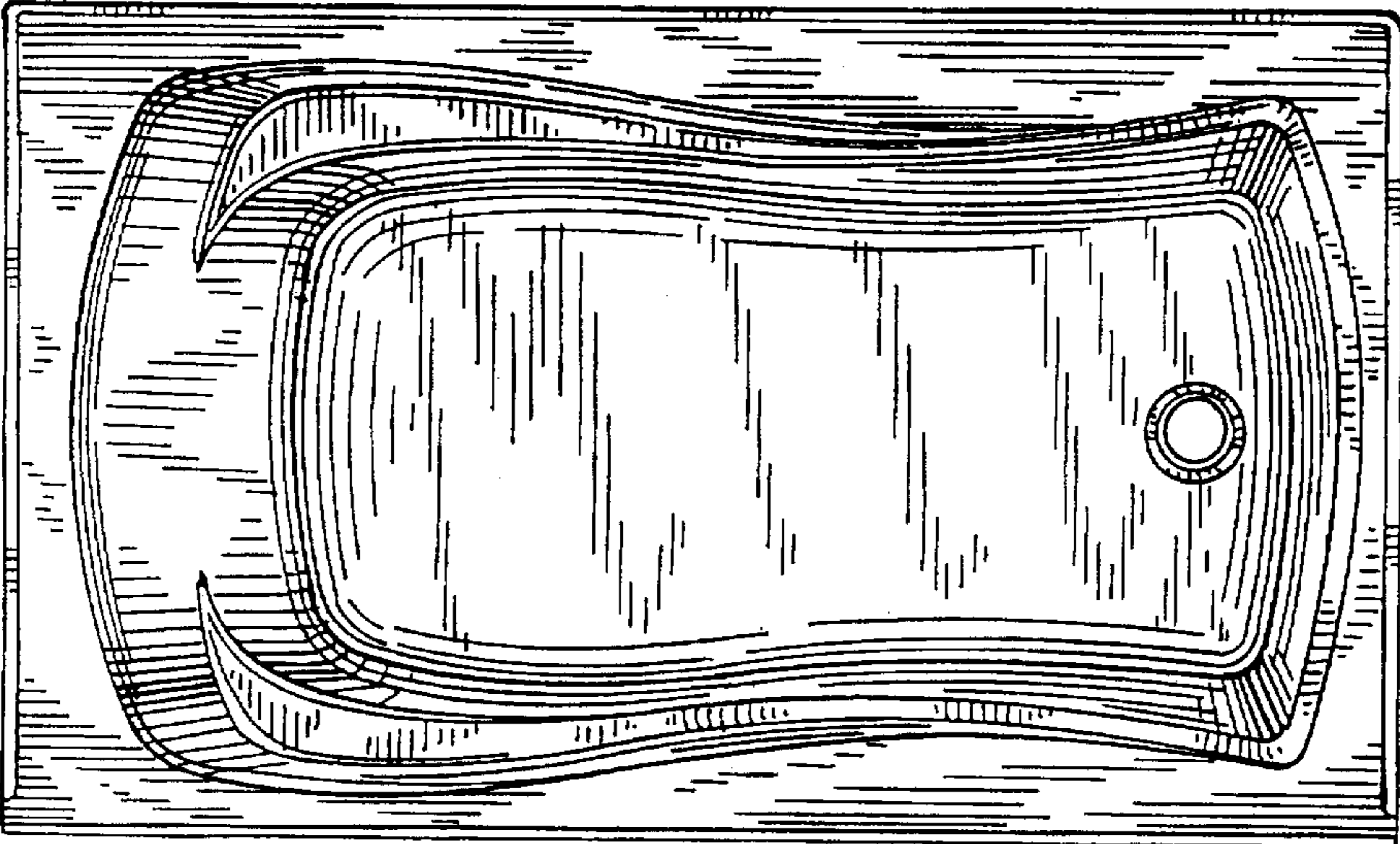


FIG. 20

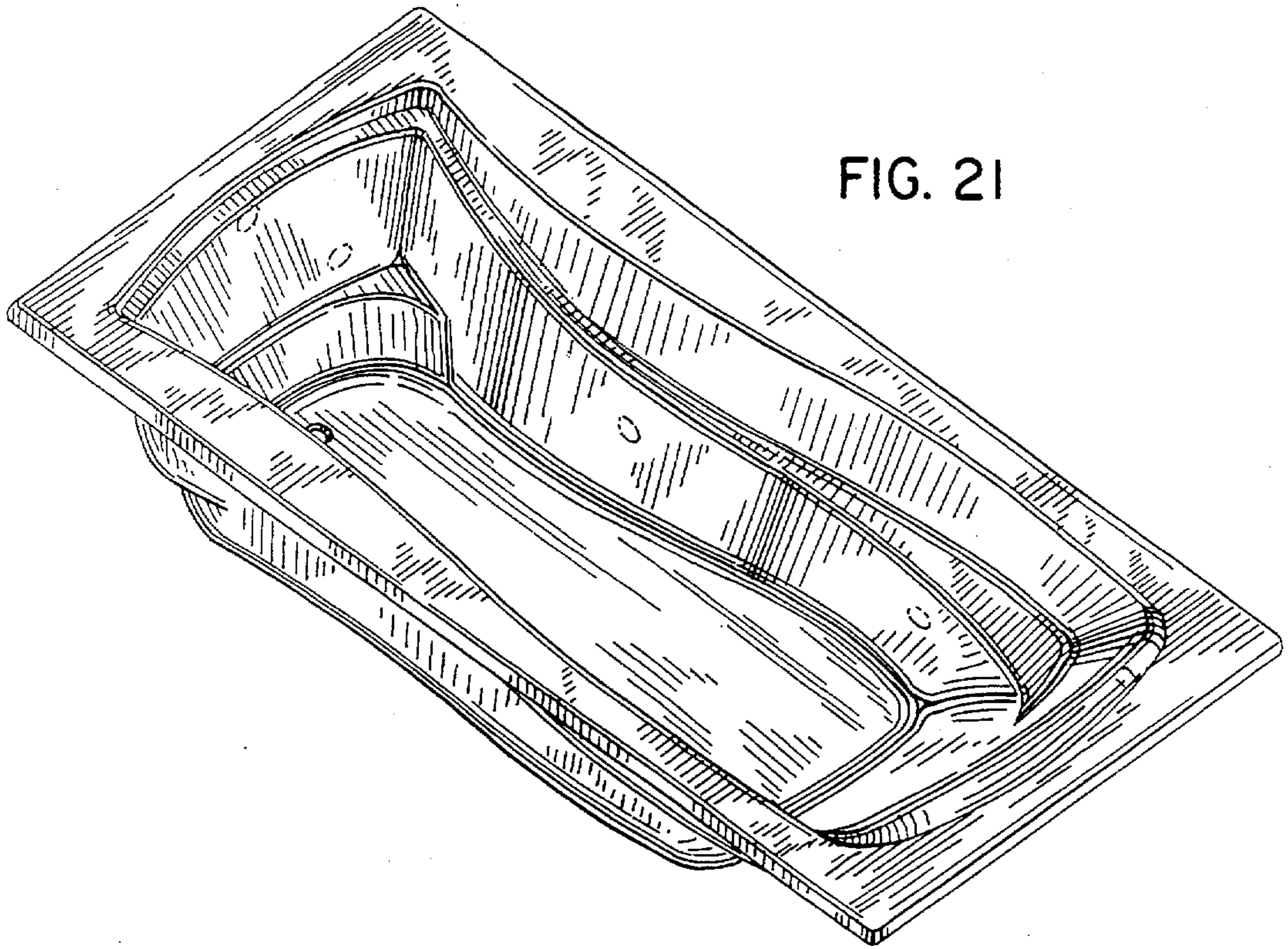
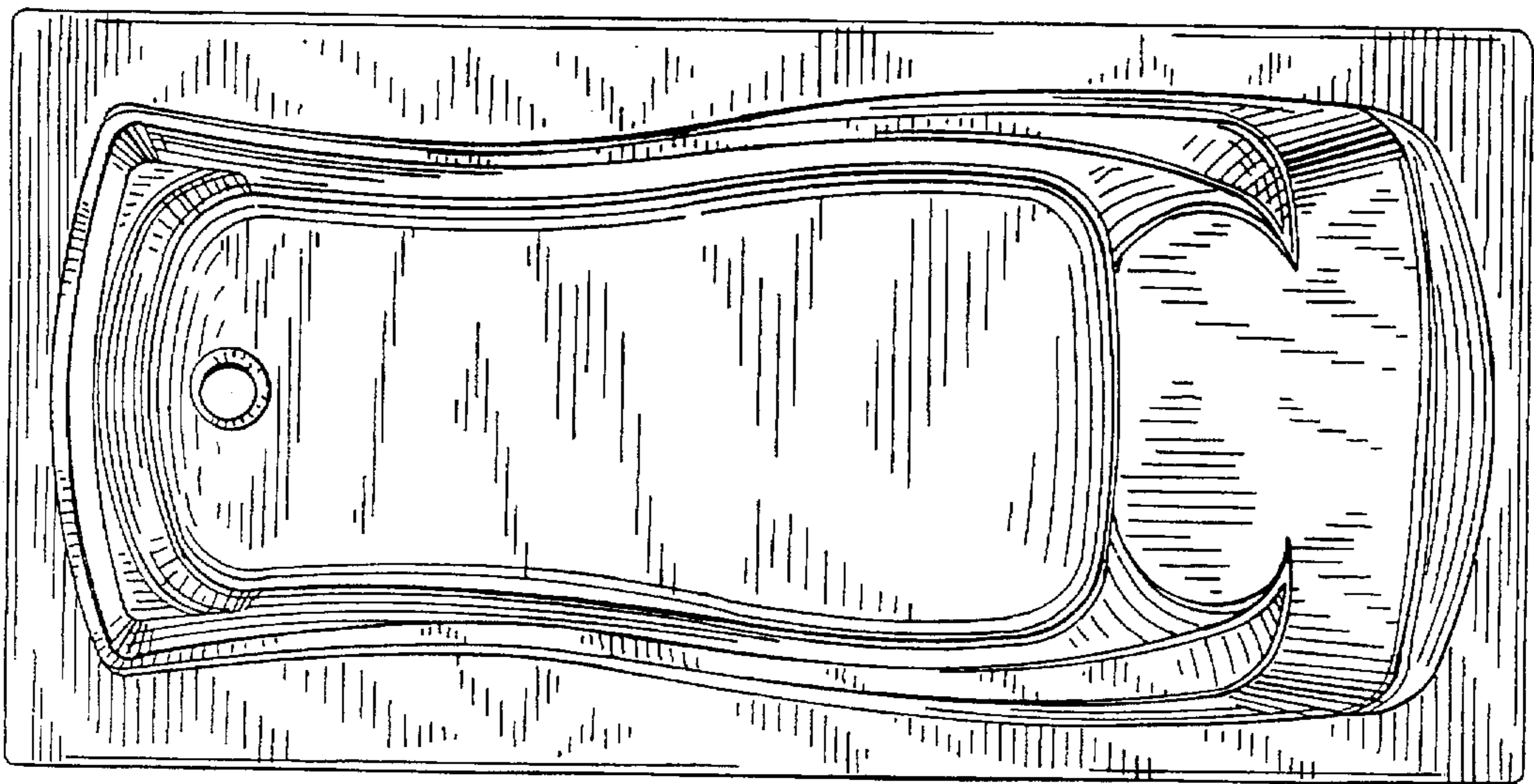


FIG. 21

FIG. 22



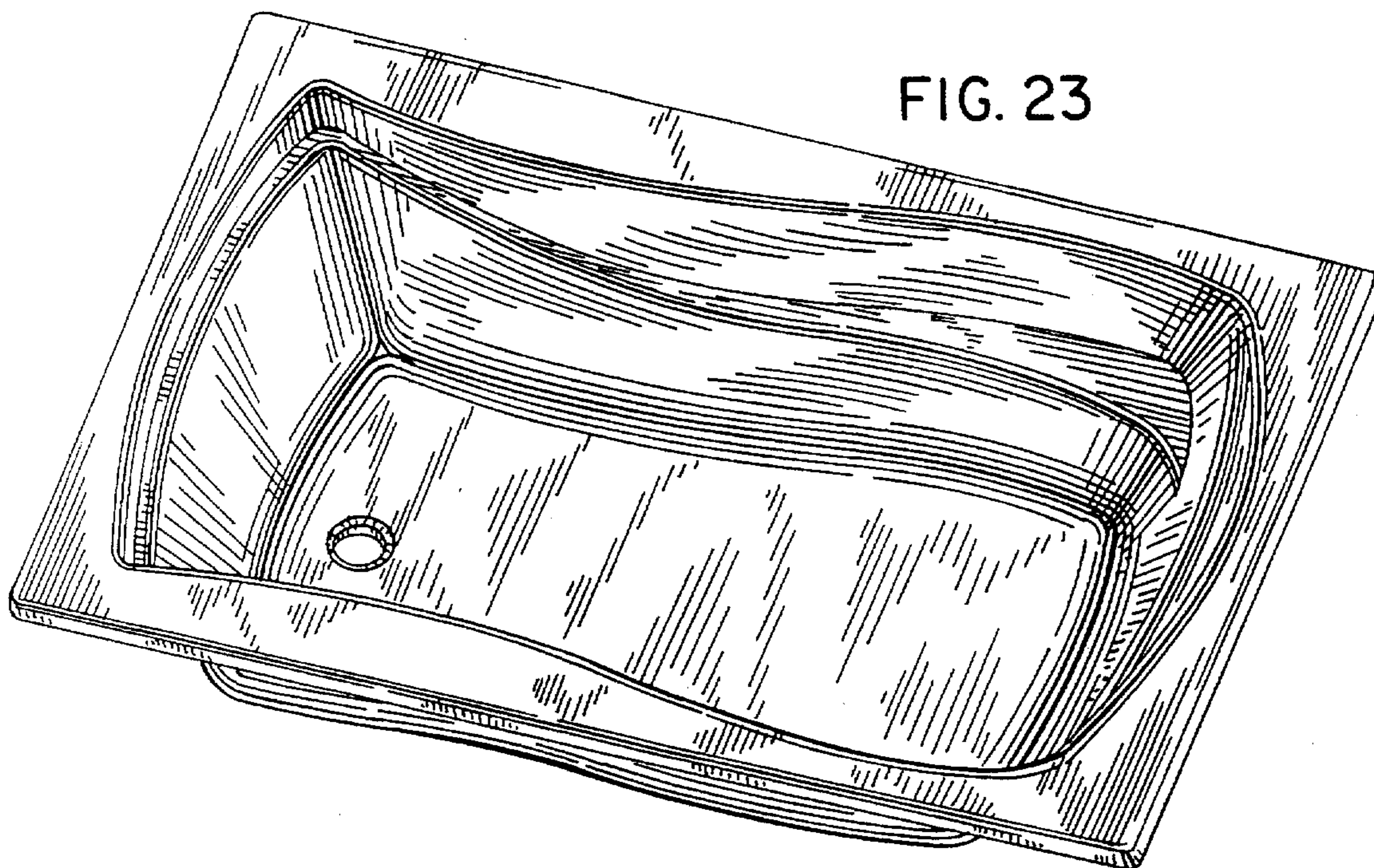


FIG. 23

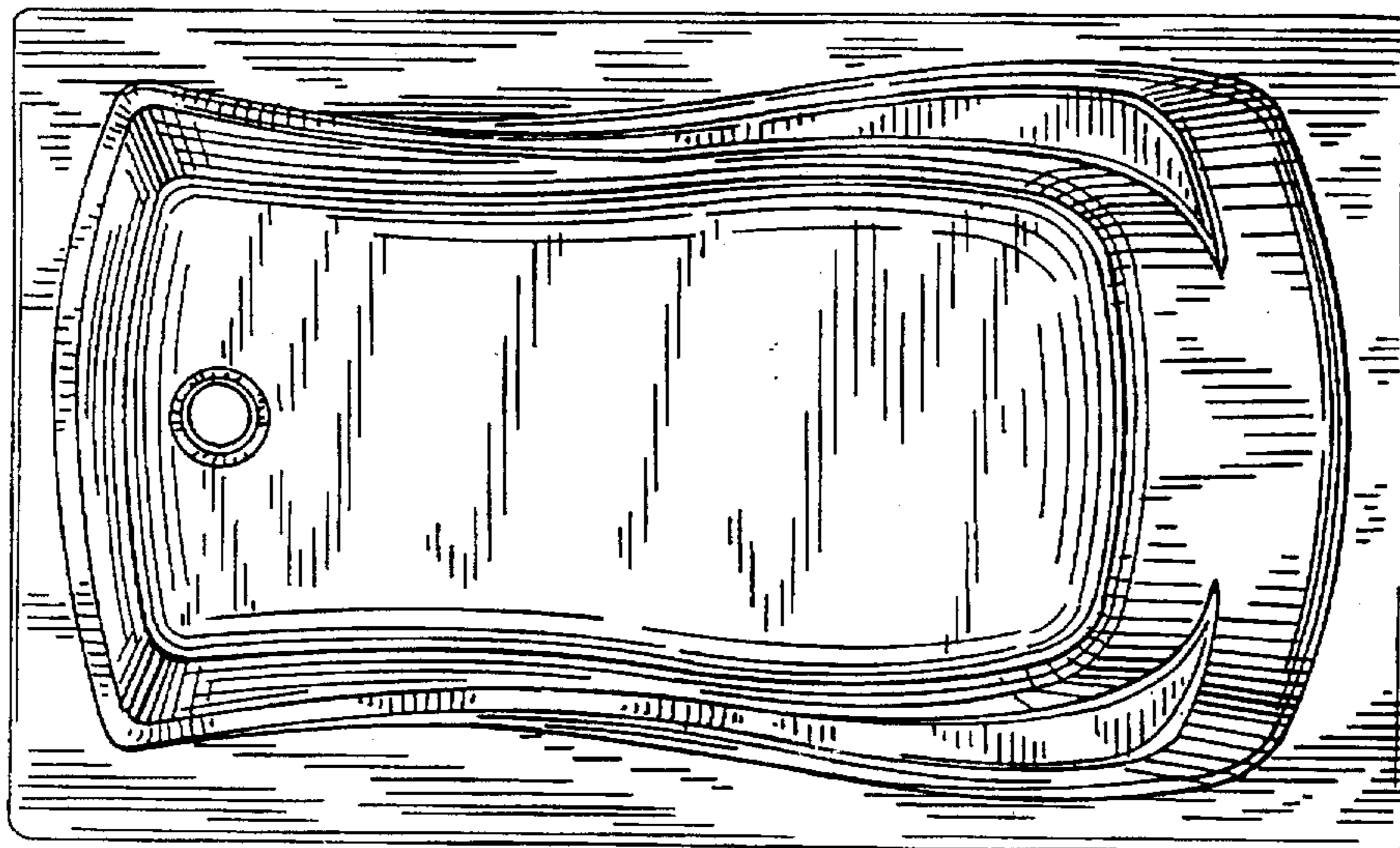


FIG. 24

UNITED STATES PATENT AND TRADEMARK OFFICE
CERTIFICATE OF CORRECTION

PATENT NO. : D393,697
DATED : April 21, 1998
INVENTOR(S) : Jill E. Hundley

It is certified that error appears in the above-identified patent and that said Letters Patent is hereby corrected as shown below:

After item [57] in "DESCRIPTION"

In the Fig. 23 description, after "embodiment", delete [, the view being a mirror image of Fig. 21]

In the paragraph after the Fig. 24 description, delete [1, 21, and 23] and insert --1 and 21.--

Signed and Sealed this
Twenty-ninth Day of December, 1998

Attest:



BRUCE LEHMAN

Attesting Officer

Commissioner of Patents and Trademarks