



US00D393696S

United States Patent [19]

[11] Patent Number: Des. 393,696

Doughty et al.

[45] Date of Patent: **Apr. 21, 1998

[54] FAUCET BODY AND SPOUT

5,634,220 6/1997 Chiu .

[75] Inventors: **Frederic C. Doughty**, South Pasadena;
Darren M. Mark, Valencia; **Alvin Tolosa**, Ventura City, all of Calif.

Primary Examiner—Louis S. Zarfaz
Assistant Examiner—Eric Watterson
Attorney, Agent, or Firm—Harold Weinstein

[73] Assignee: **Emhart Inc.**, Newark, Del.

[57] CLAIM

[**] Term: **14 Years**

The ornamental design for faucet body and spout, as shown and described.

[21] Appl. No.: **74,625**

DESCRIPTION

[22] Filed: **Aug. 8, 1997**

FIG. 1 is a perspective view of our new design of the faucet body and spout;

[51] LOC (6) Cl. **23-01**

FIG. 2 is a front elevational view of our new design of the faucet body and spout;

[52] U.S. Cl. **D23/243**

FIG. 3 is a rear elevational view of our new design of the faucet body and spout;

[58] Field of Search D23/238-243,
D23/250-257; 4/675-678; 137/801

FIG. 4 is a right side elevational view of our new design of the faucet body and spout;

[56] References Cited

U.S. PATENT DOCUMENTS

D. 213,874	4/1969	Landell	D23/238
D. 219,779	1/1971	Tiller	D23/238
D. 367,697	3/1996	Hows et al.	D23/238
D. 368,764	4/1996	Hill et al.	D23/238
4,107,046	8/1978	Corder	.	
5,083,589	1/1992	Wilcock	.	
5,107,896	4/1992	Otto	.	
5,139,050	8/1992	Otto	.	
5,279,329	1/1994	Pippel	.	

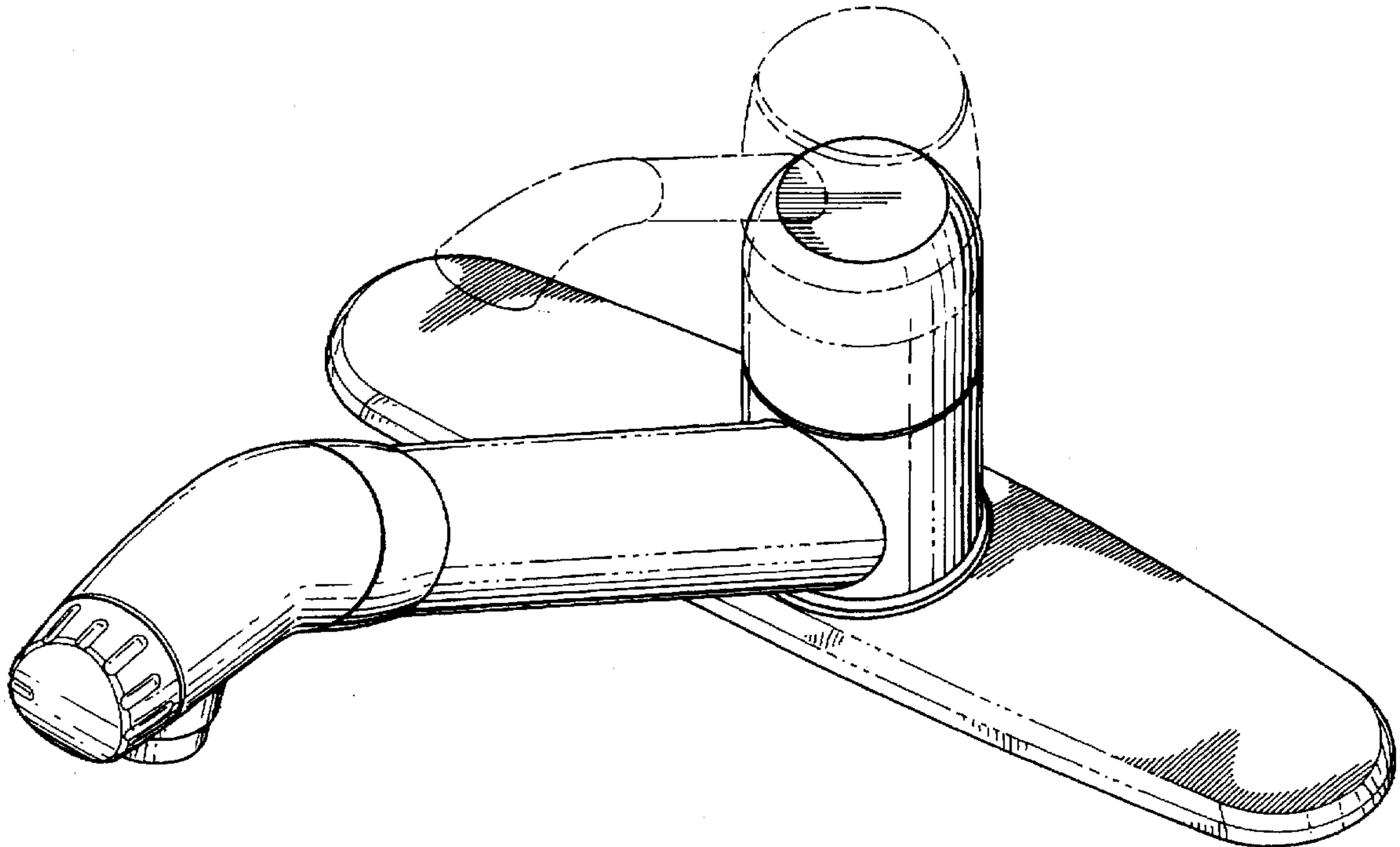
FIG. 5 is a left side elevational view of our new design of the faucet body and spout;

FIG. 6 is a top plan view of our new design of the faucet body and spout; and,

FIG. 7 is a bottom plan view of our new design of the faucet body and spout.

The broken line showing is for illustrative purposes only and forms no part of the claimed design.

1 Claim, 7 Drawing Sheets



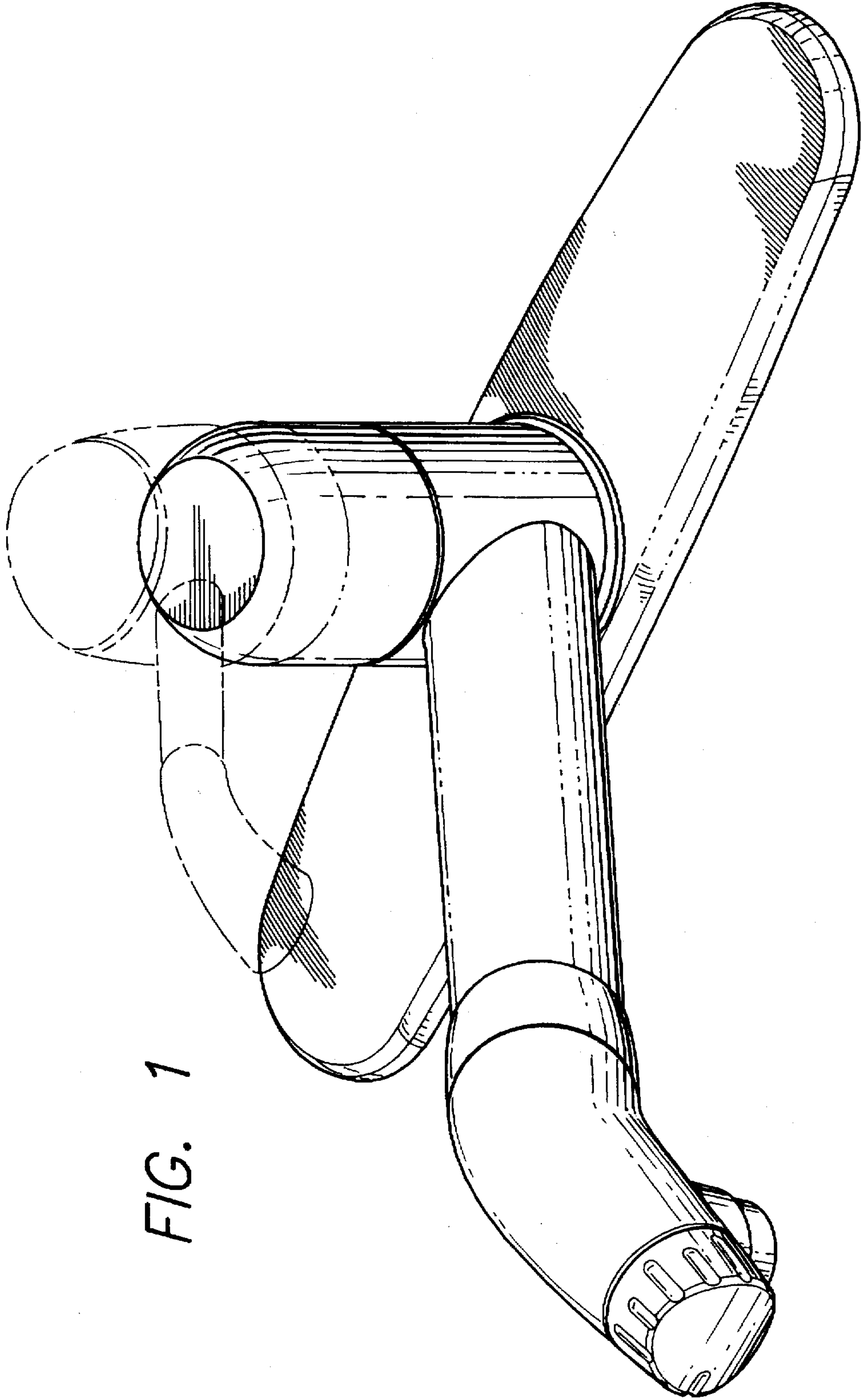


FIG. 1

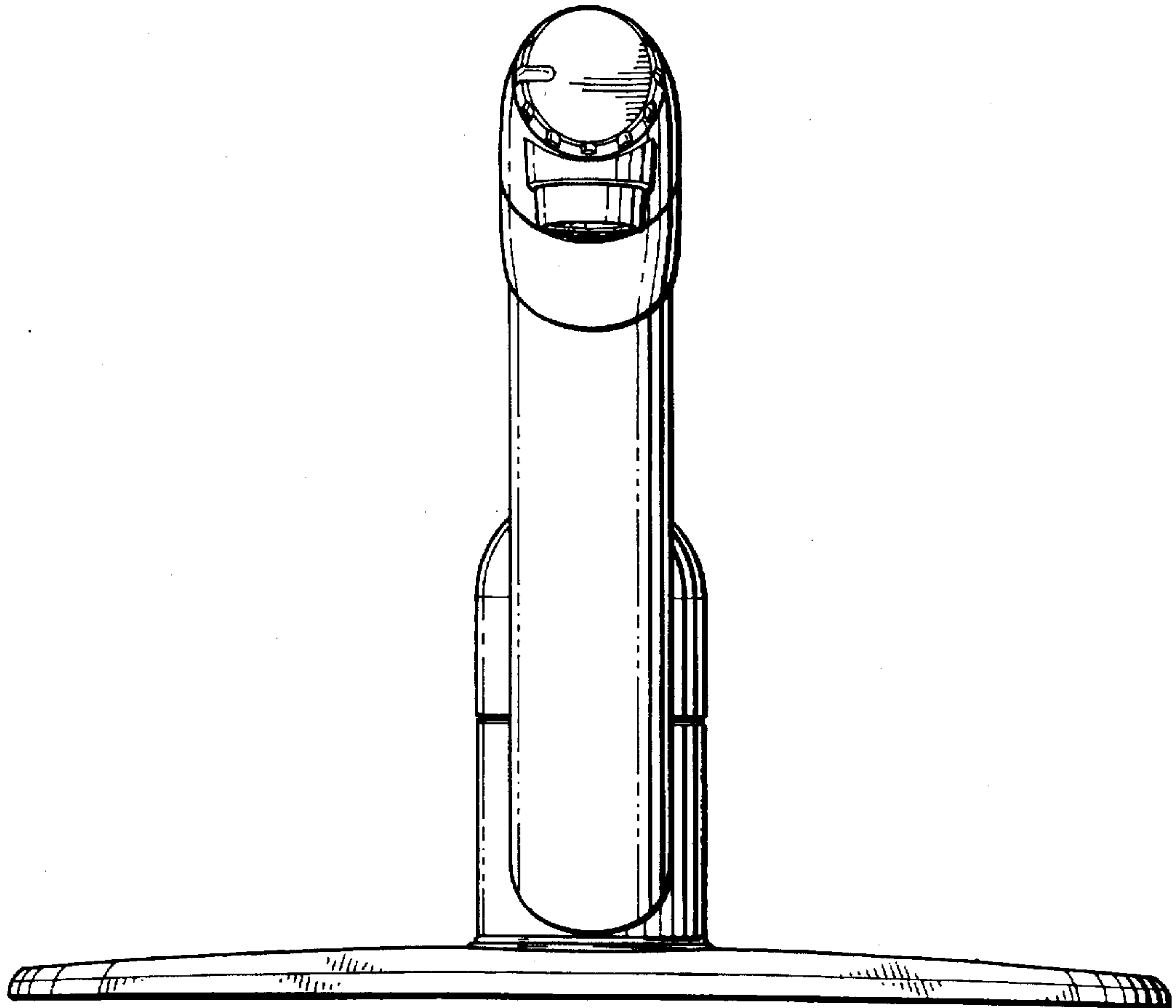


FIG. 2

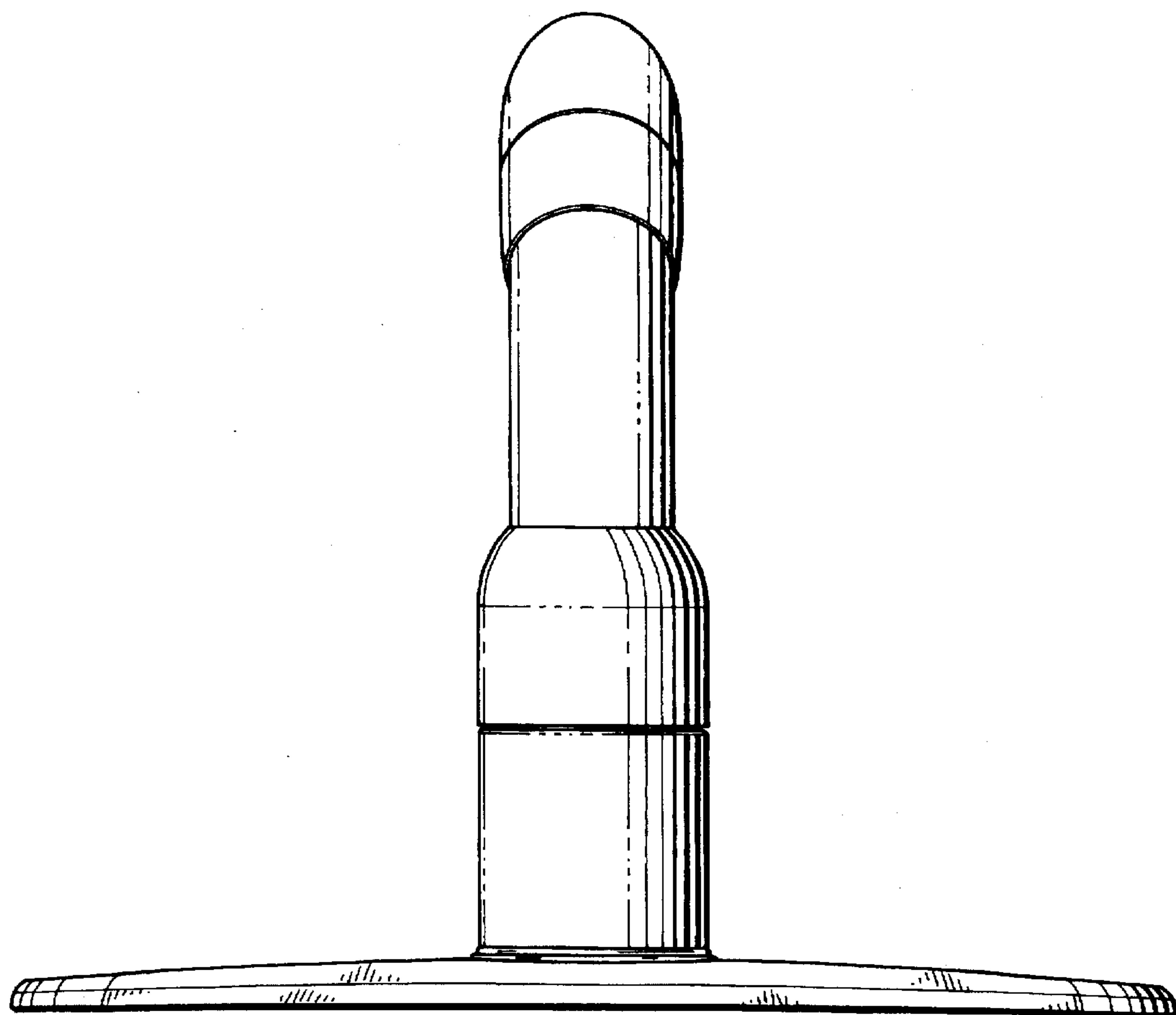


FIG. 3

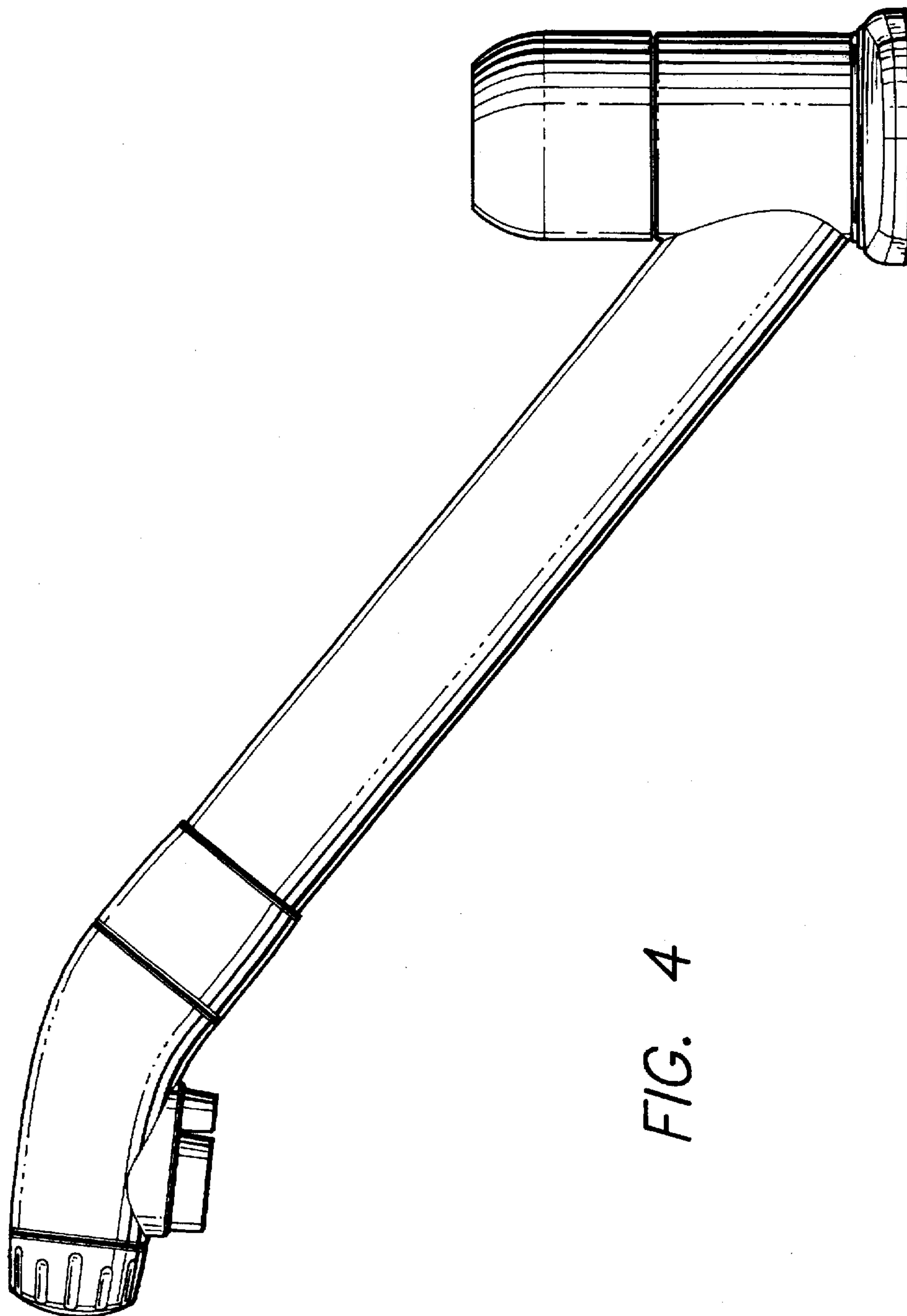


FIG. 4

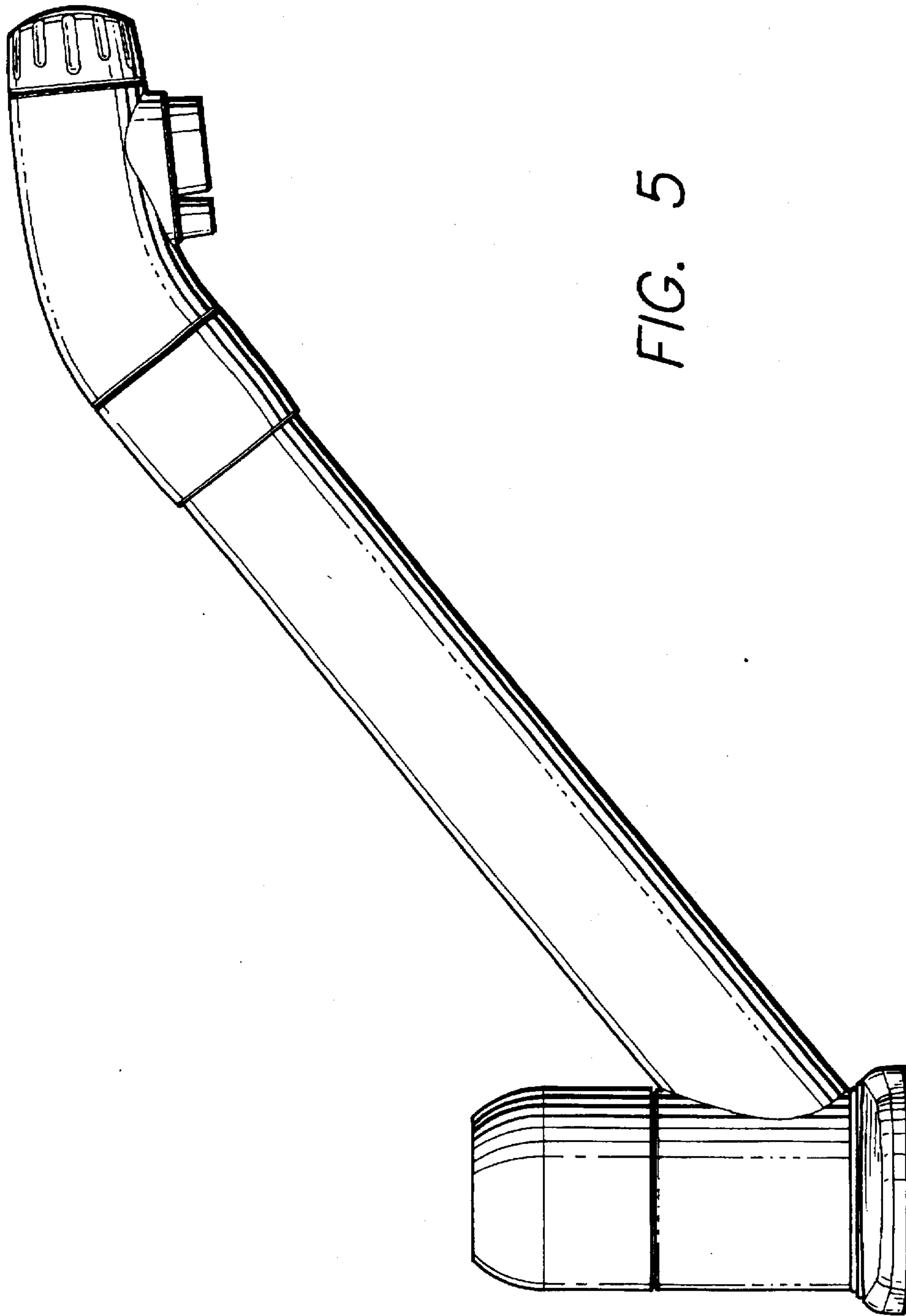


FIG. 5

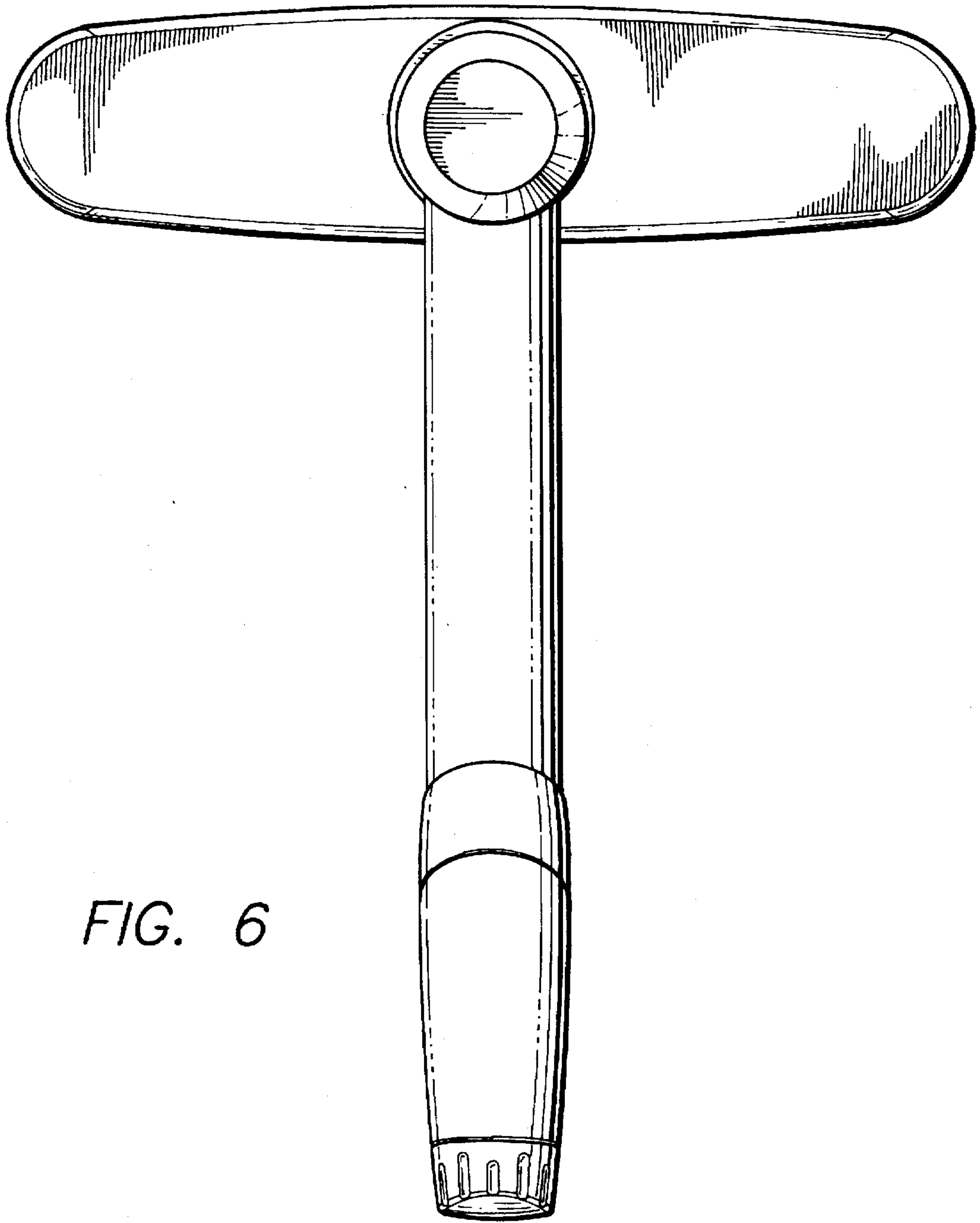


FIG. 6

FIG. 7

