



US00D393691S

# United States Patent [19]

[11] Patent Number: Des. 393,691

Evans

[45] Date of Patent: \*\*Apr. 21, 1998

[54] FLUID DIVIDER

[76] Inventor: Donald L. Evans, 1405 Huntington Cir., Reno, Nev. 89509

[\*\*] Term: 14 Years

[21] Appl. No.: 68,453

[22] Filed: Apr. 9, 1997

[51] LOC (6) Cl. .... 23-01

[52] U.S. Cl. .... D23/200

[58] Field of Search ..... D23/200, 213, D23/214, 222; 137/262, 561 A, 118.01, 118.02, 119.02; 210/416.4

[56] **References Cited**

**U.S. PATENT DOCUMENTS**

- 4,549,567 10/1985 Horton .
- 4,613,080 9/1986 Benson et al. .... 239/272
- 5,156,642 10/1992 Lopez ..... 137/561 A

Primary Examiner—Alan P. Douglas  
Assistant Examiner—Robin V. Taylor  
Attorney, Agent, or Firm—Ian F. Burns

[57] **CLAIM**

The ornamental design for a fluid divider, as shown and described.

**DESCRIPTION**

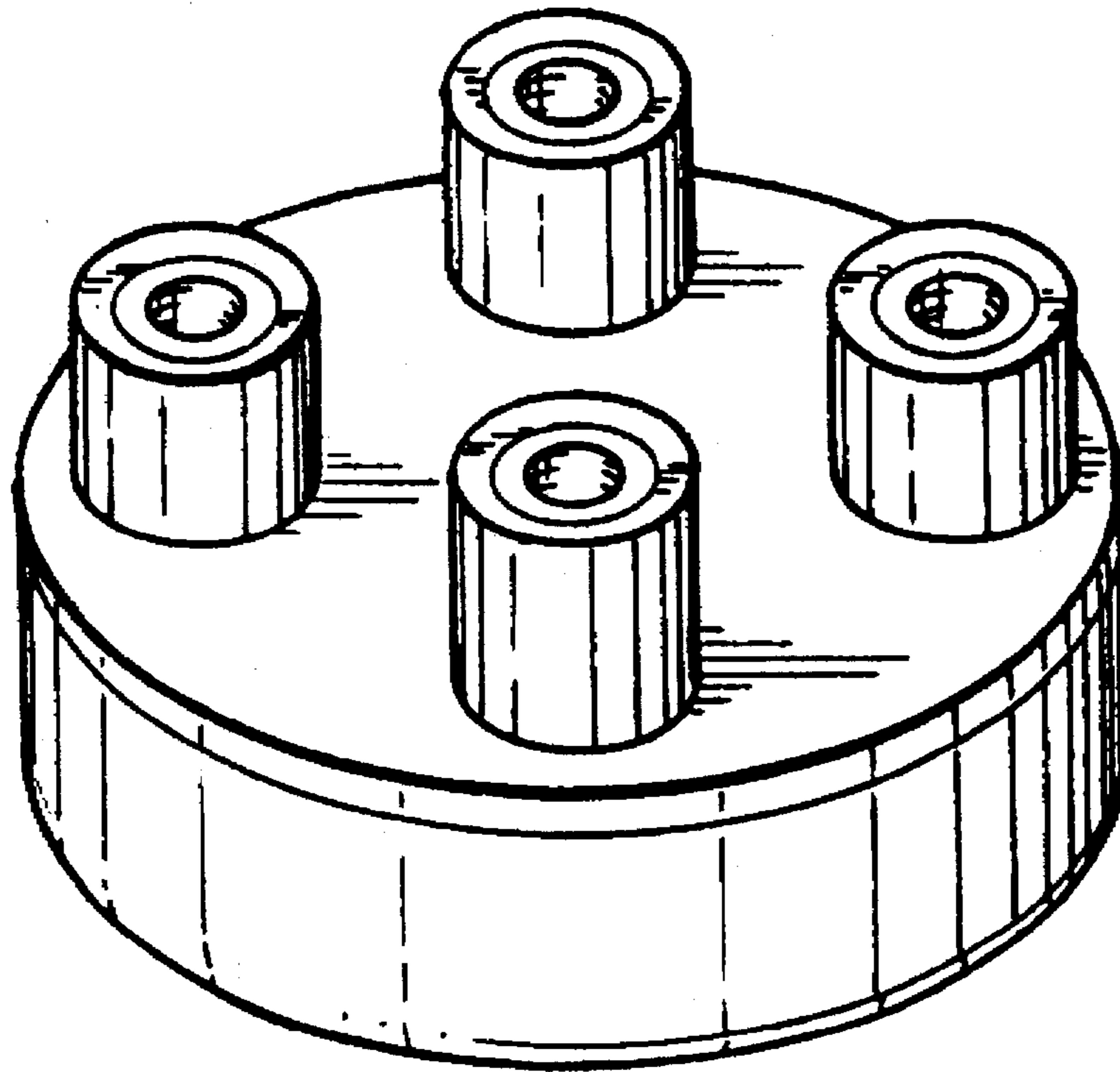
FIG. 1 is a right side perspective view of the fluid divider of the present invention;

FIG. 2 is a side elevational view of the fluid divider of the present invention, the opposite side, front, and rear elevational views are identical;

FIG. 3 is a top plan view of the fluid divider of the present invention; and,

FIG. 4 is a bottom plan views of the fluid divider of the present invention.

1 Claim, 1 Drawing Sheet



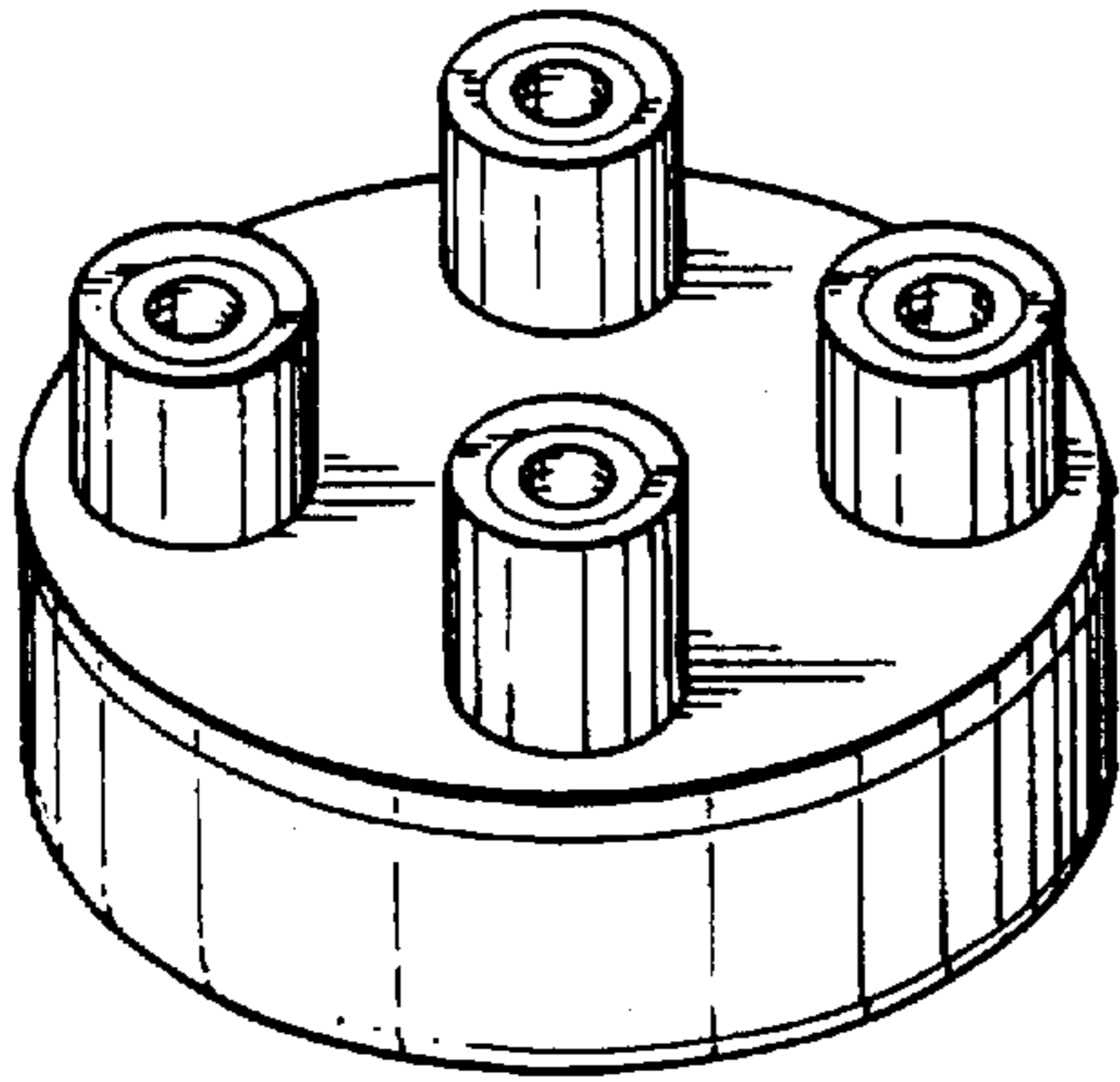


FIG. 1

FIG. 2

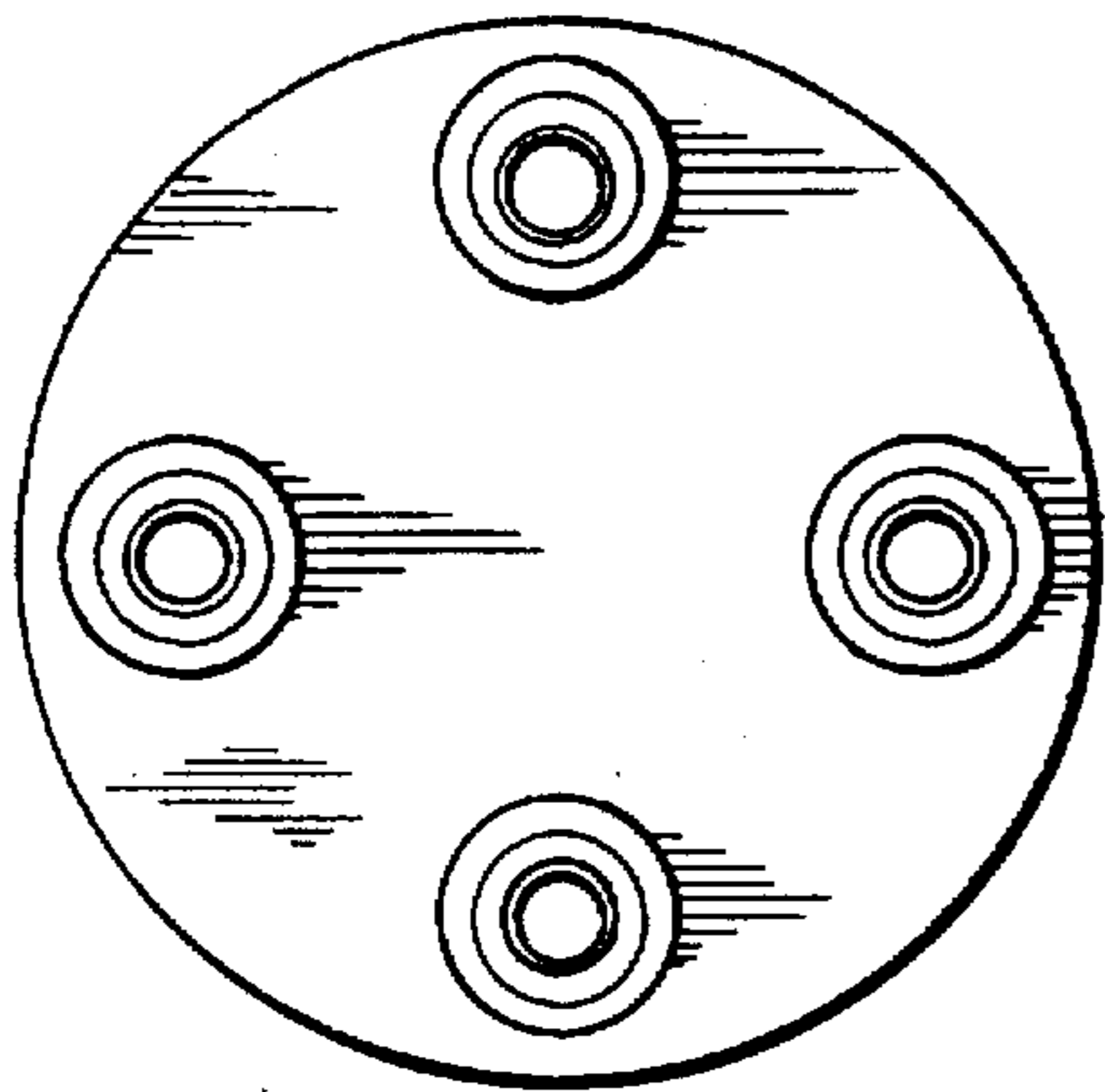
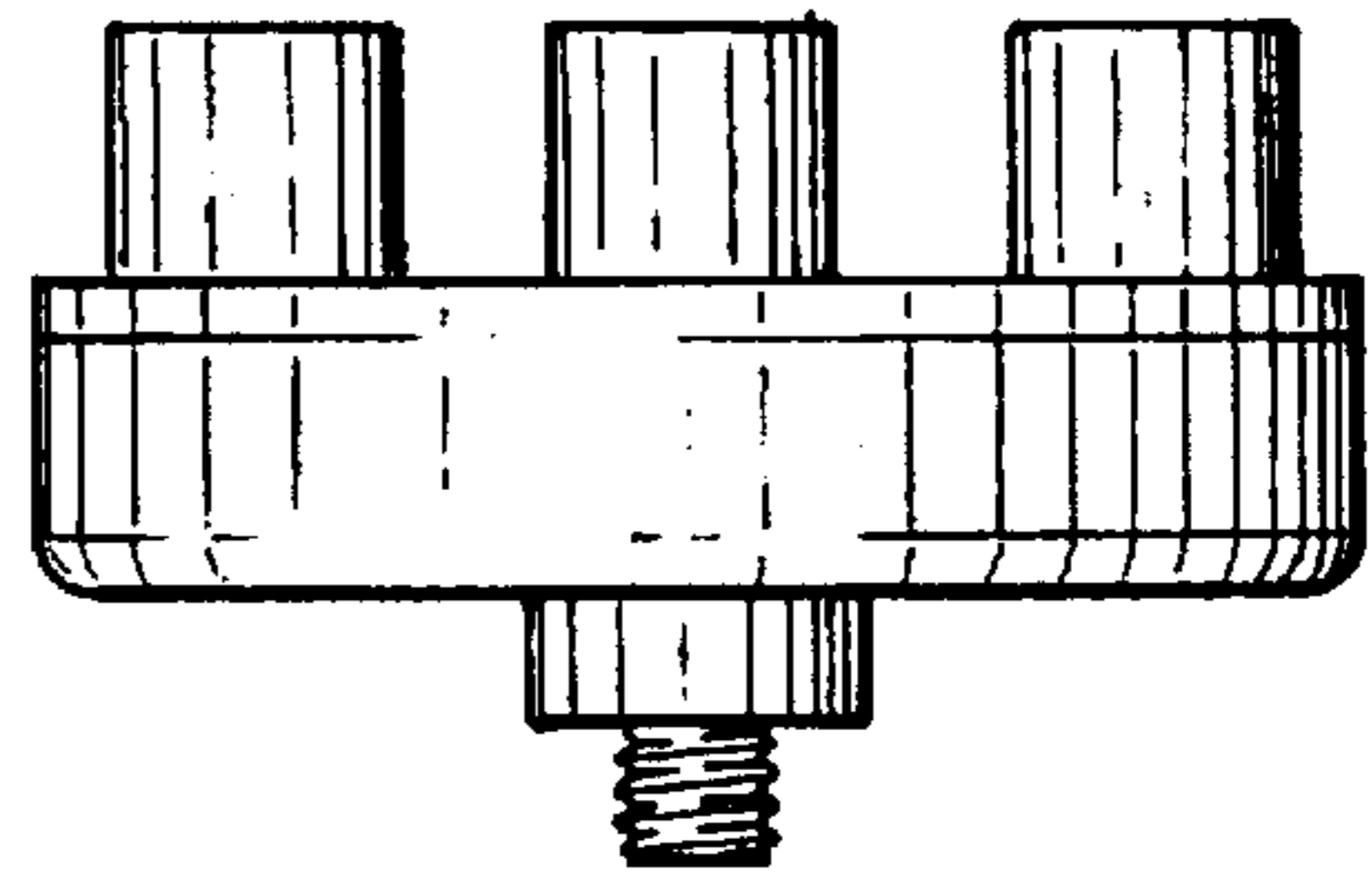


FIG. 3

FIG. 4

