



US00D393690S

# United States Patent [19]

Lovelady et al.

[11] Patent Number: **Des. 393,690**

[45] Date of Patent: **\*\*Apr. 21, 1998**

[54] **ROD AND REEL HOLDER FOR BOAT DECKS**

[76] Inventors: **Hubert G. Lovelady**, 4352 Wildt Rd., San Antonio, Tex. 78222; **Sydney K. Appling**, Rt. 1 P.O. Box 103, Lincoln, Tex. 78948

[\*\*] Term: **14 Years**

[21] Appl. No.: **54,772**

[22] Filed: **May 21, 1996**

[51] LOC (6) Cl. .... **22-05**

[52] U.S. Cl. .... **D22/147**

[58] Field of Search ..... D22/147, 148; 43/21.2; 248/514, 515, 518, 520, 538, 512; D12/317, 318

### [56] References Cited

#### U.S. PATENT DOCUMENTS

D. 271,610	11/1983	Lummis	.....	D22/147
D. 271,611	11/1983	Lummis	.....	D22/147
D. 352,089	11/1994	Barber et al.	.....	D22/147
D. 372,956	8/1996	Mills	.....	D22/147
4,650,146	3/1987	Duke	.....	43/21.2

4,793,086	12/1988	Cup	.....	43/21.2
4,964,233	10/1990	Benson et al.	.....	43/21.2 X
5,163,652	11/1992	King	.....	43/21.2 X
5,383,299	1/1995	Smelker	.....	43/21.2
5,438,789	8/1995	Emory	.....	43/21.2
5,566,495	10/1996	Kim et al.	.....	43/21.2

### OTHER PUBLICATIONS

Cabela's 1993 Spring p. 40 Anglers Pal Rod Holder.

Primary Examiner—Doris V. Coles

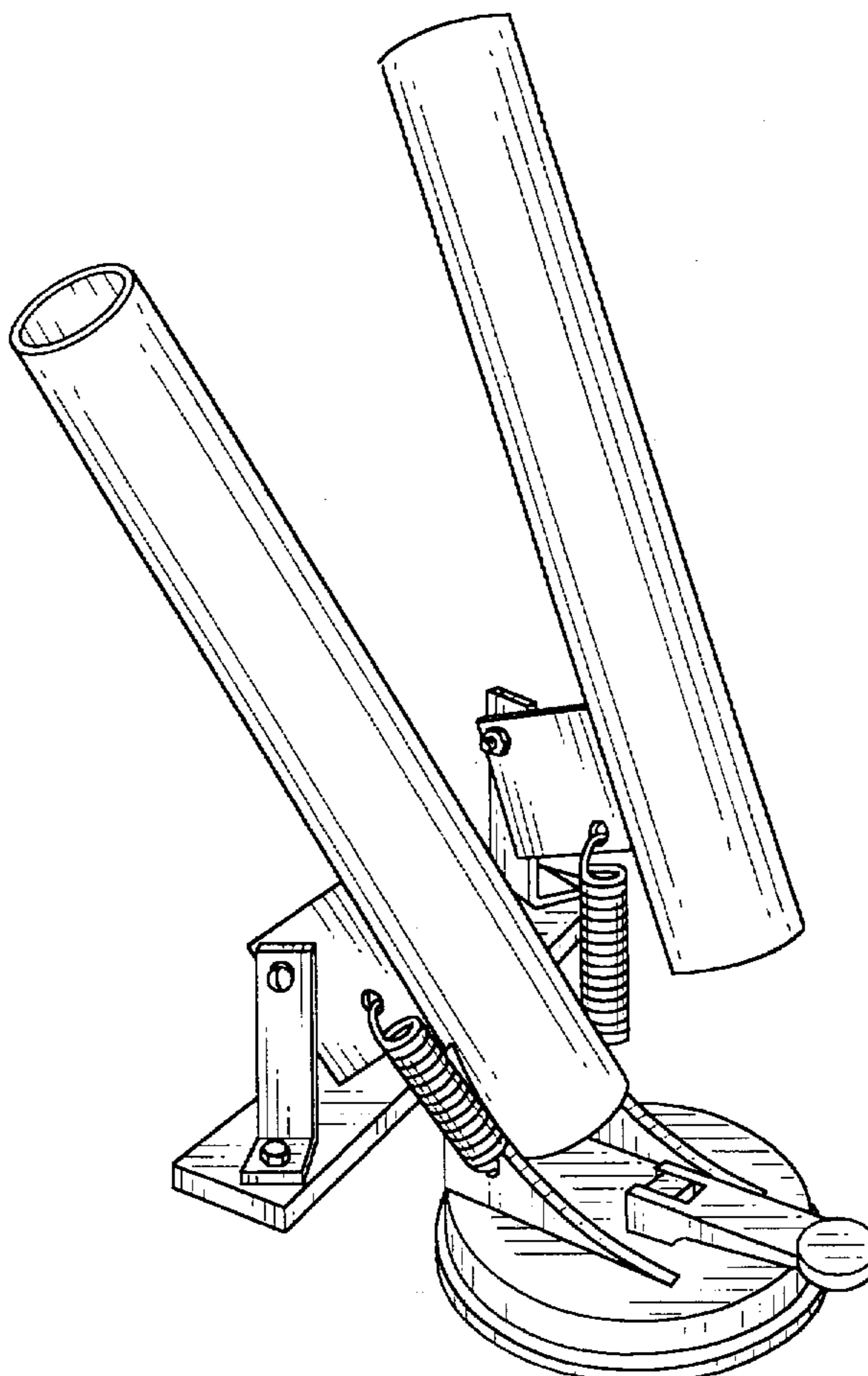
### [57] CLAIM

The ornamental design for a rod and reel holder for boat decks, as shown and described.

### DESCRIPTION

FIG. 1 is a top, front, left side perspective view of a rod and reel holder for boat decks, showing our new design;  
 FIG. 2 is a top plan view;  
 FIG. 3 is a right side elevational view;  
 FIG. 4 is a rear elevational view;  
 FIG. 5 is a left side elevational view;  
 FIG. 6 is a front elevational view thereof; and,  
 FIG. 7 is a bottom plan view thereof.

**1 Claim, 3 Drawing Sheets**



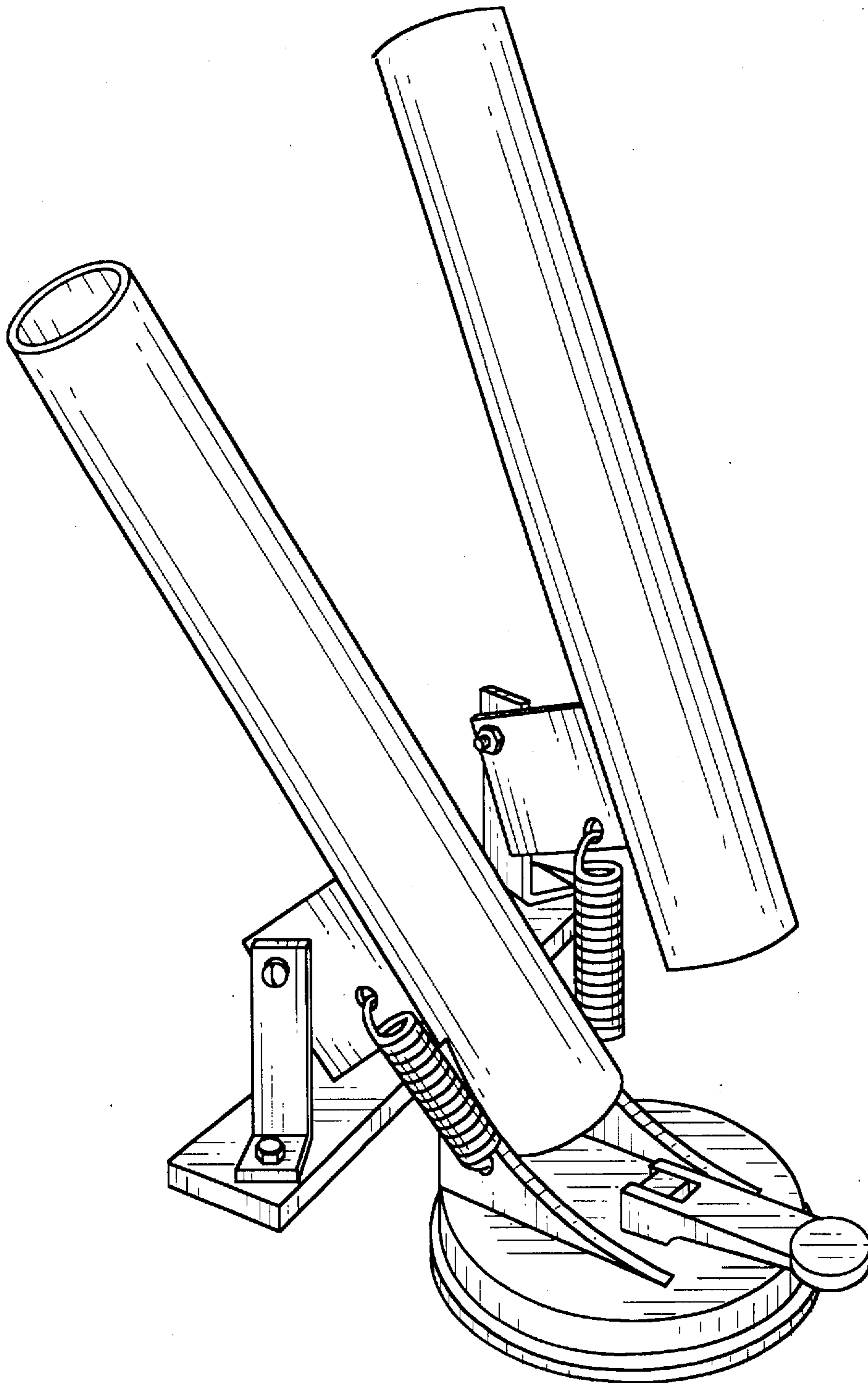


Fig. 1

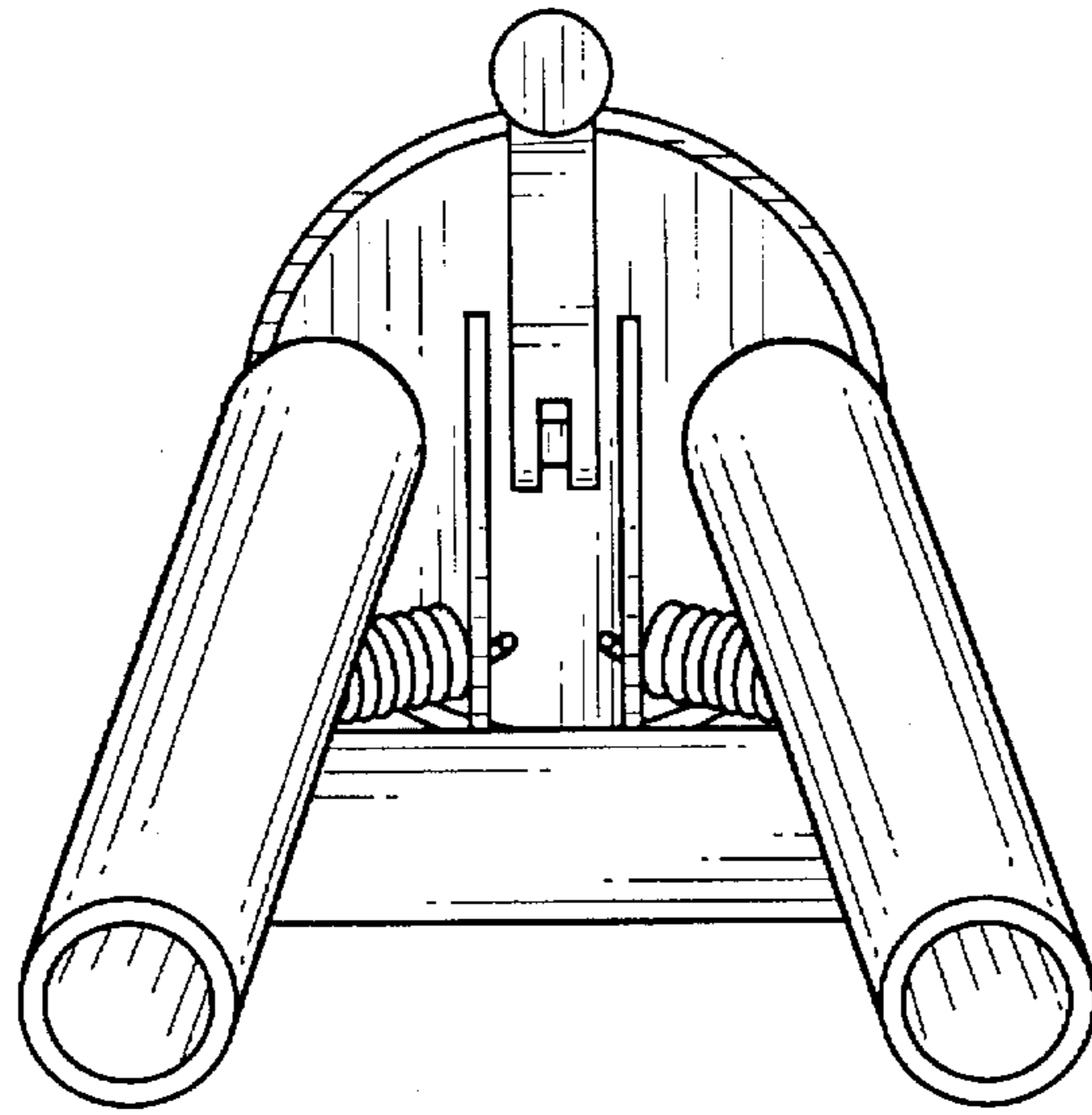


Fig. 2

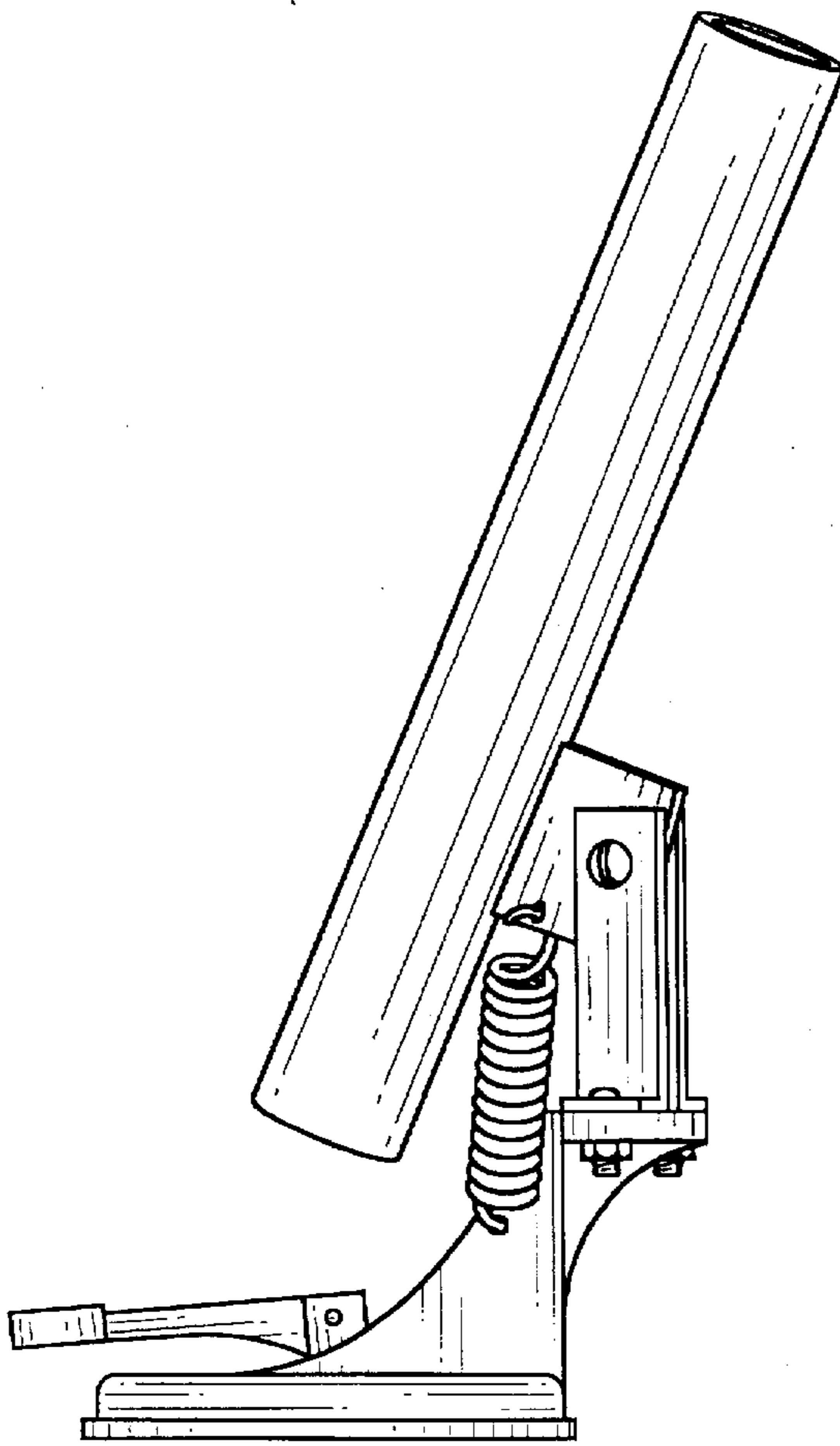


Fig. 3

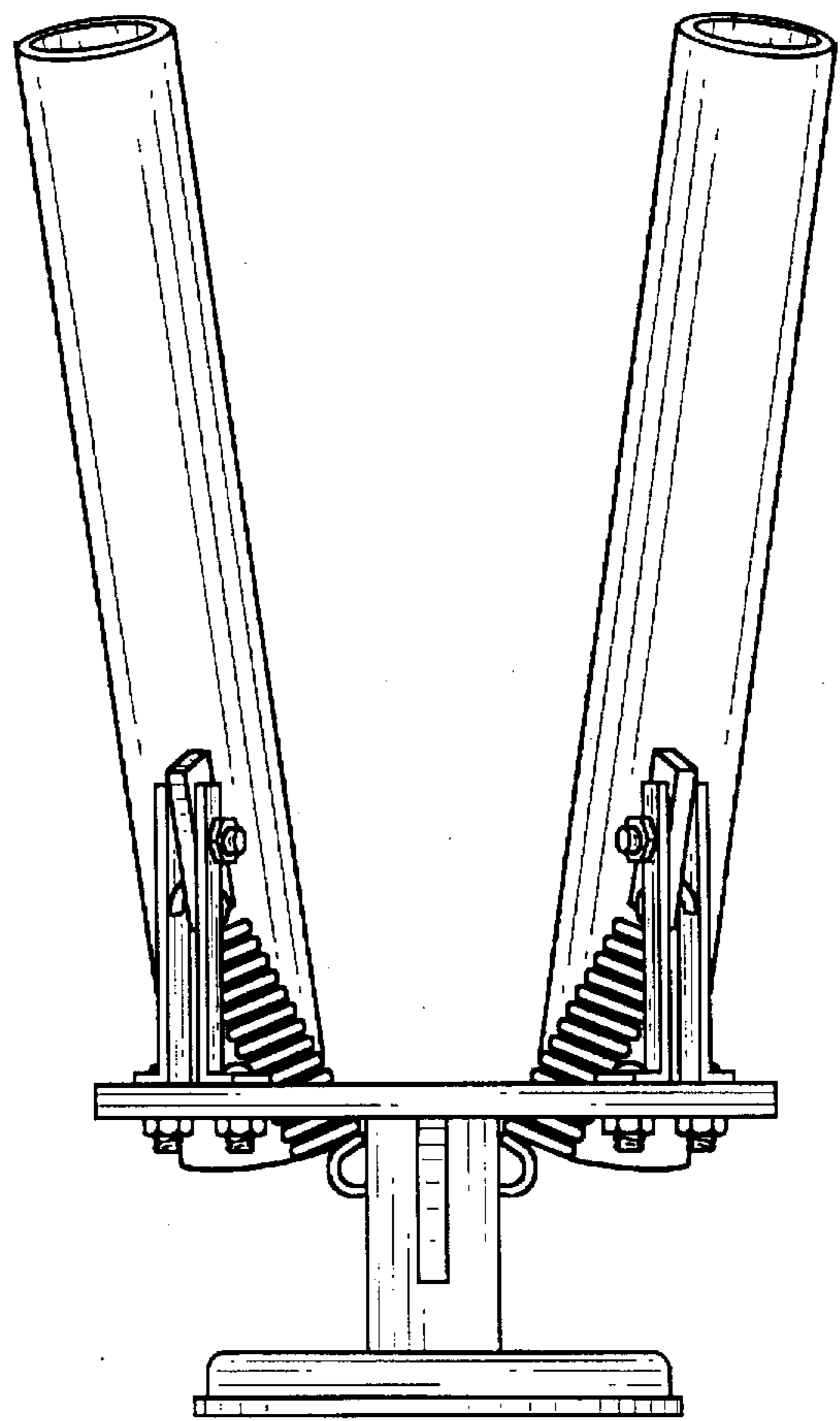


Fig. 4

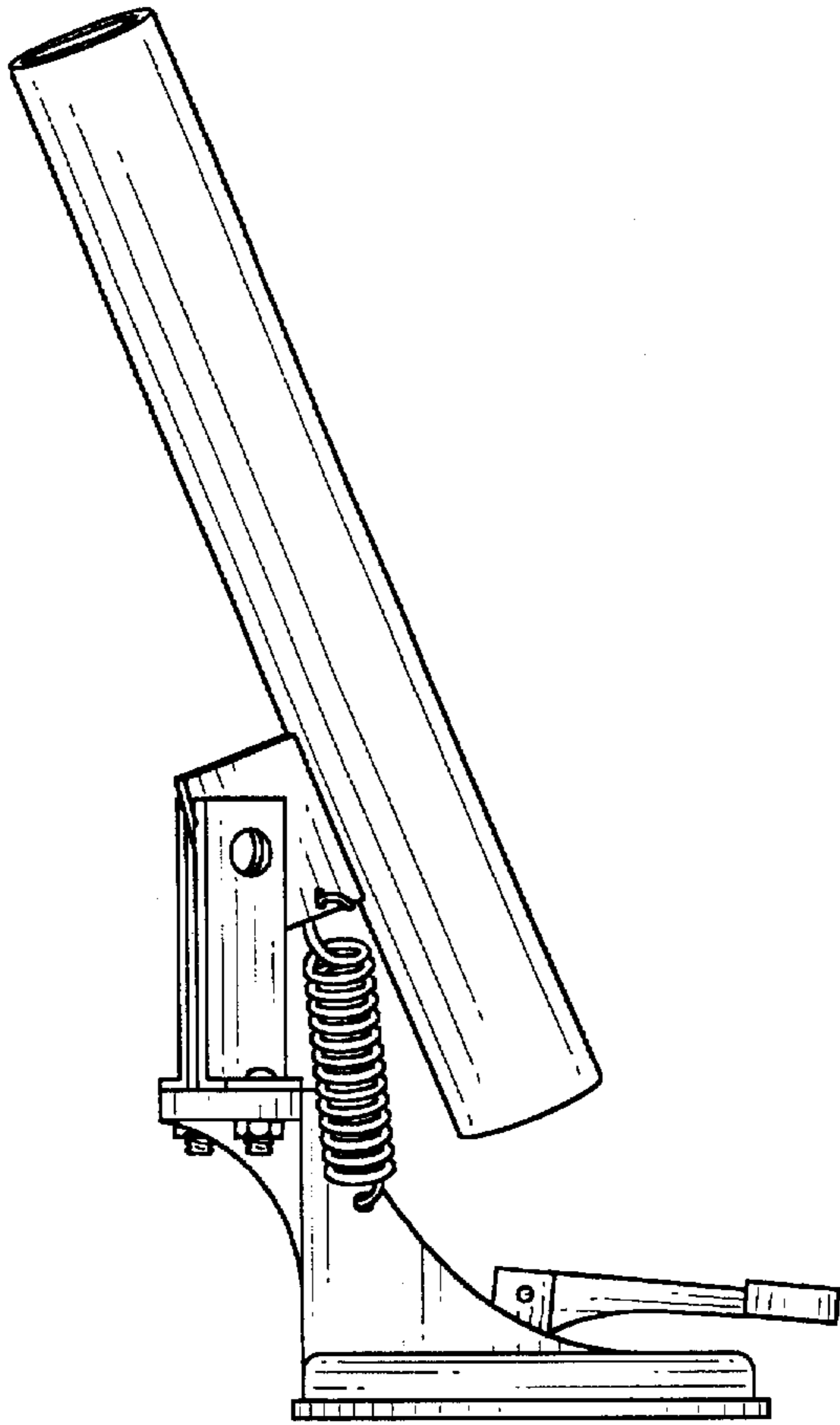


Fig. 5

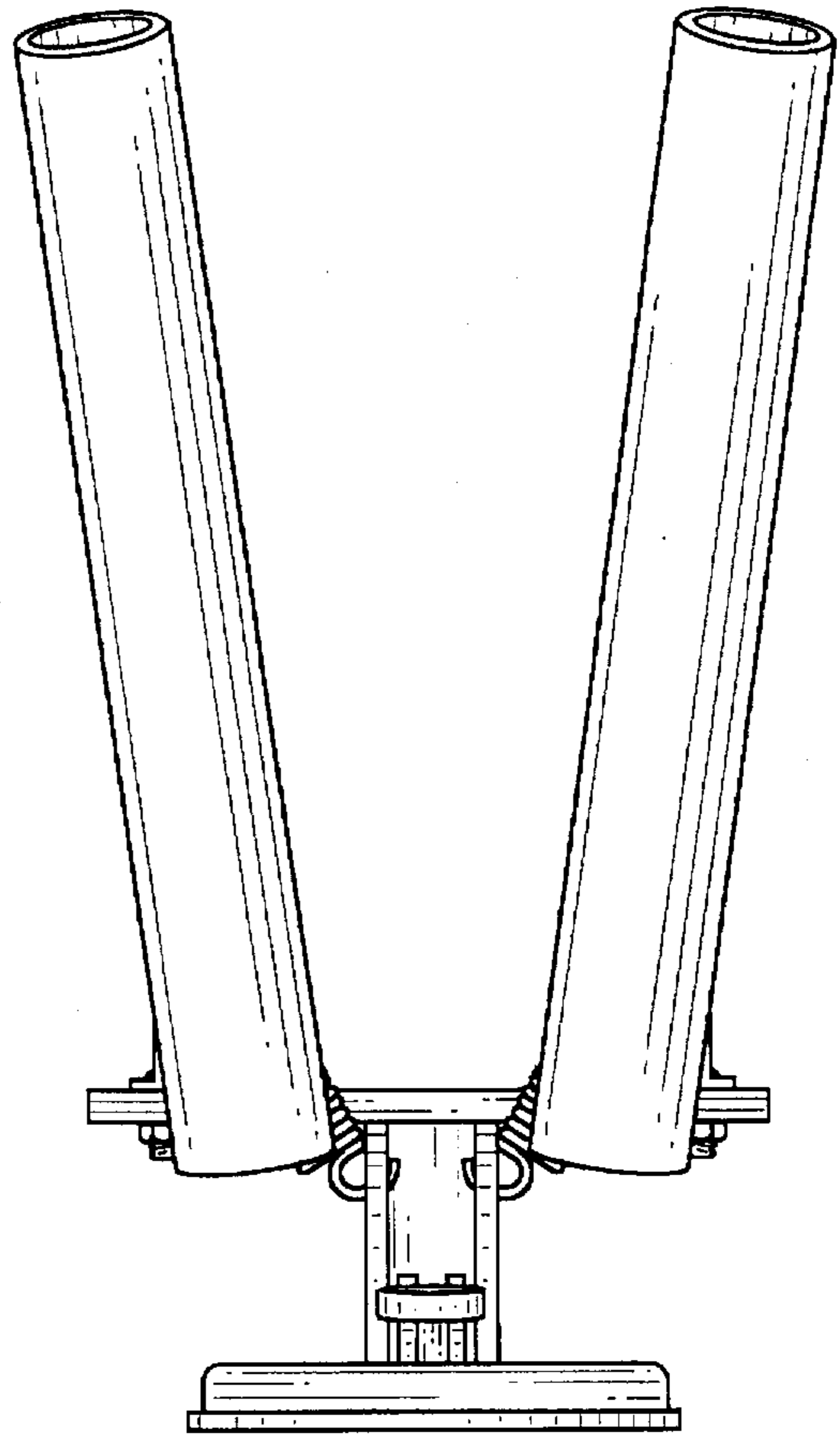


Fig. 6

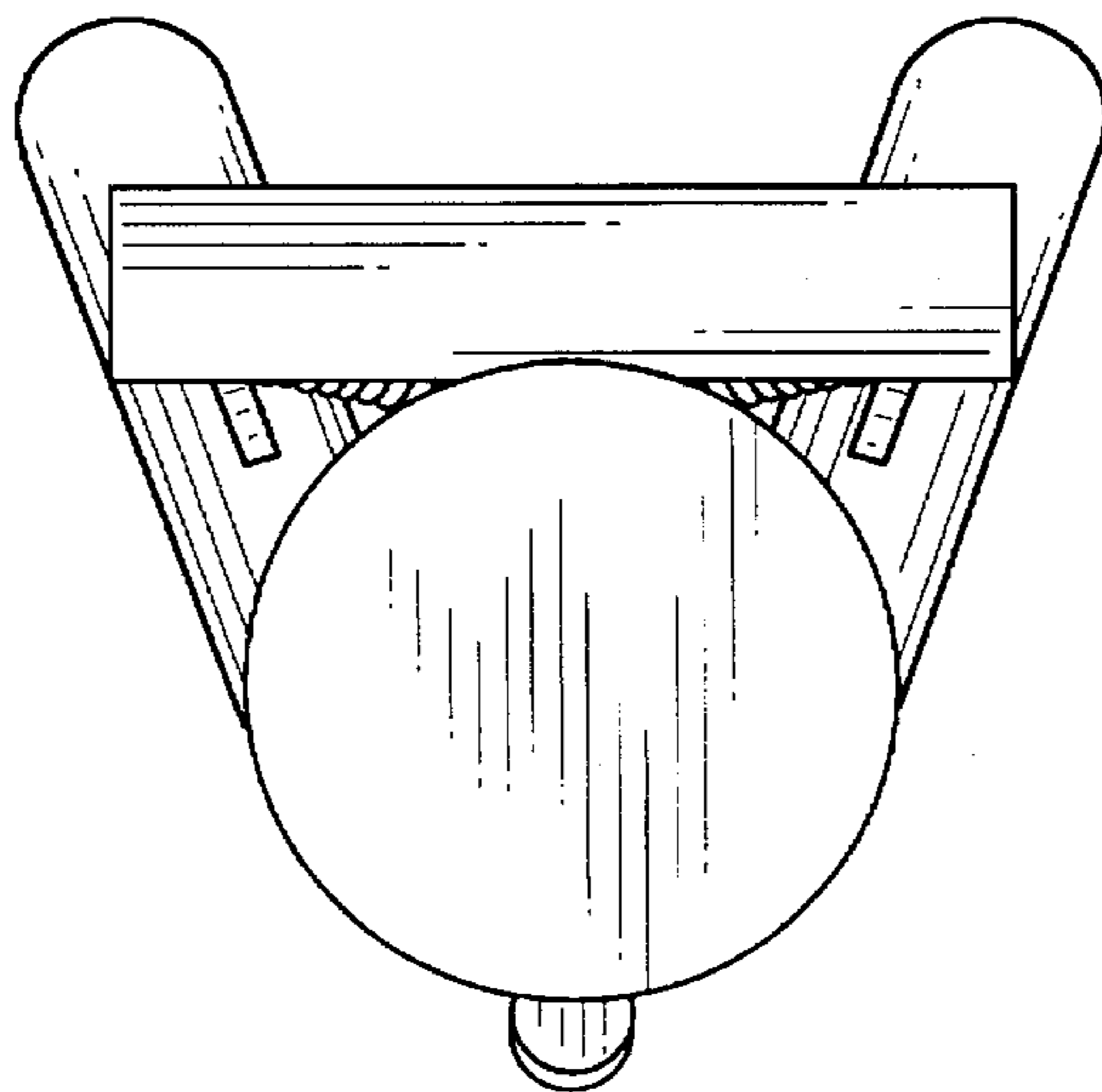


Fig. 7