



US00D393689S

United States Patent [19]

[11] Patent Number: **Des. 393,689**

Kaneko et al.

[45] Date of Patent: ****Apr. 21, 1998**

[54] **SPOOL FOR A FISHING SPINNING REEL**

5,333,813	8/1994	Hirano	242/322
5,456,418	10/1995	Hitomi	242/322
5,476,230	12/1995	Yamaguchi	242/311

[75] Inventors: **Kyouichi Kaneko; Eiji Shinohara; Akira Yamaguchi; Wataru Tsutsumi,** all of Higashikurume, Japan

Primary Examiner—Doris V. Coles
Attorney, Agent, or Firm—Laff, Whitesel, Conte & Saret, Ltd.

[73] Assignee: **Daiwa Seiko, Inc.,** Tokyo, Japan

[**] Term: **14 Years**

[57] CLAIM

[21] Appl. No.: **62,850**

The ornamental design for a spool for a fishing spinning reel, as shown and described.

[22] Filed: **Nov. 27, 1996**

DESCRIPTION

[30] Foreign Application Priority Data

May 31, 1996	[JP]	Japan	8-16122
Jun. 13, 1996	[JP]	Japan	8-17505

FIG. 1 is a front and left side perspective view of a spool for a fishing spinning reel, showing our new design; FIG. 2 is a front and right side perspective view thereof; FIG. 3 is a front elevational view thereof; the opposite side being a mirror image thereof; and a top plan view and a bottom plan view being identical thereof; FIG. 4 is a right side elevational view thereof; FIG. 5 is a left side elevational view thereof; FIG. 6 is a central vertical cross-sectional view in FIG. 4; FIG. 7 is a front and left side perspective view of a second embodiment of the spool for a fishing spinning reel; and, FIG. 8 is a front and right side perspective view thereof.

[51] **LOC (6) Cl.** **22-05**

[52] **U.S. Cl.** **D22/137; D22/141**

[58] **Field of Search** **D22/137, 141; 232/118.7, 118.6, 118.3, 118.4, 129.7, 311, 322, 613.2, 613.1, 129.5**

[56] References Cited

U.S. PATENT DOCUMENTS

D. 369,847 5/1996 Kuntze D22/147

1 Claim, 3 Drawing Sheets

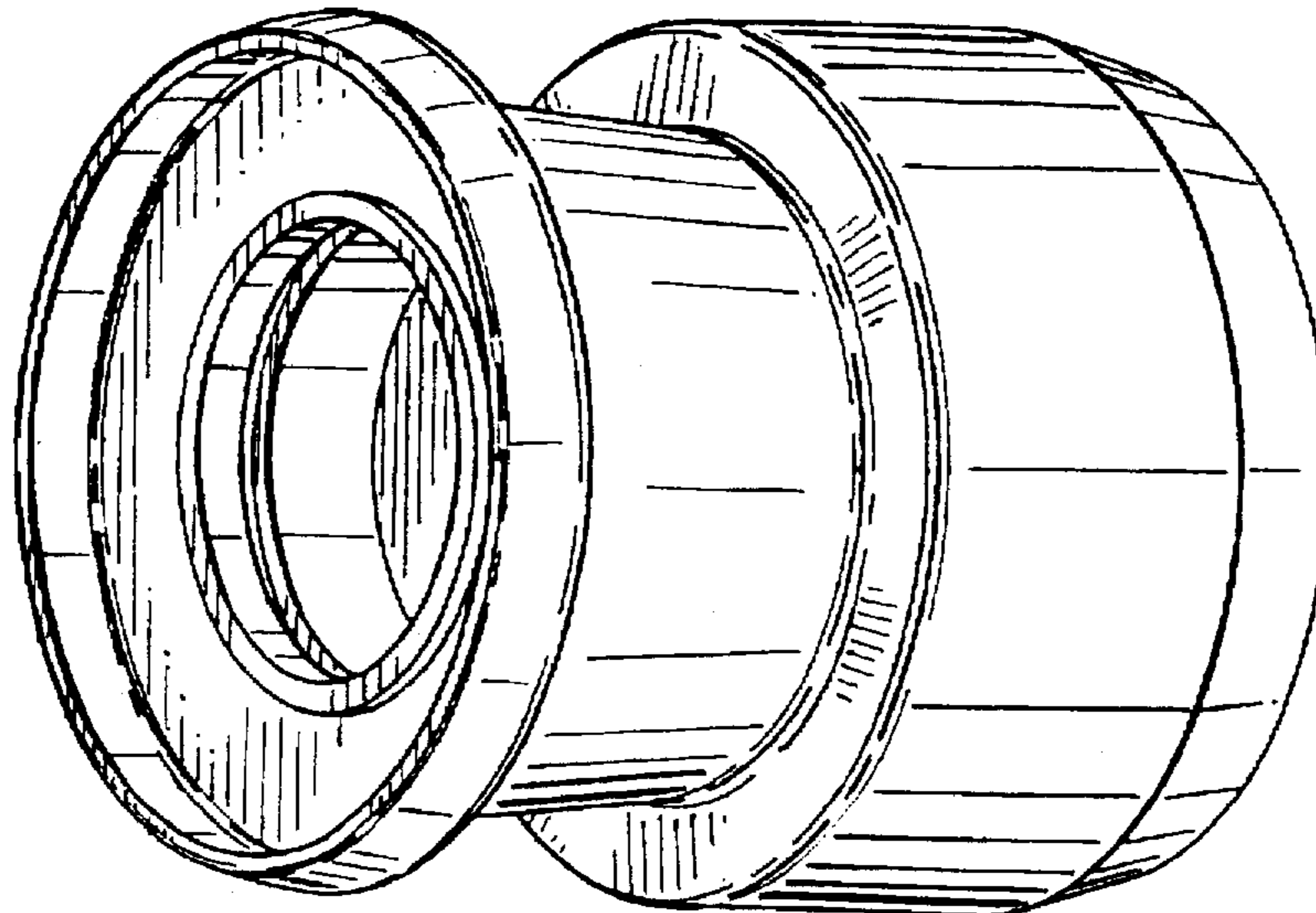


FIG. 1

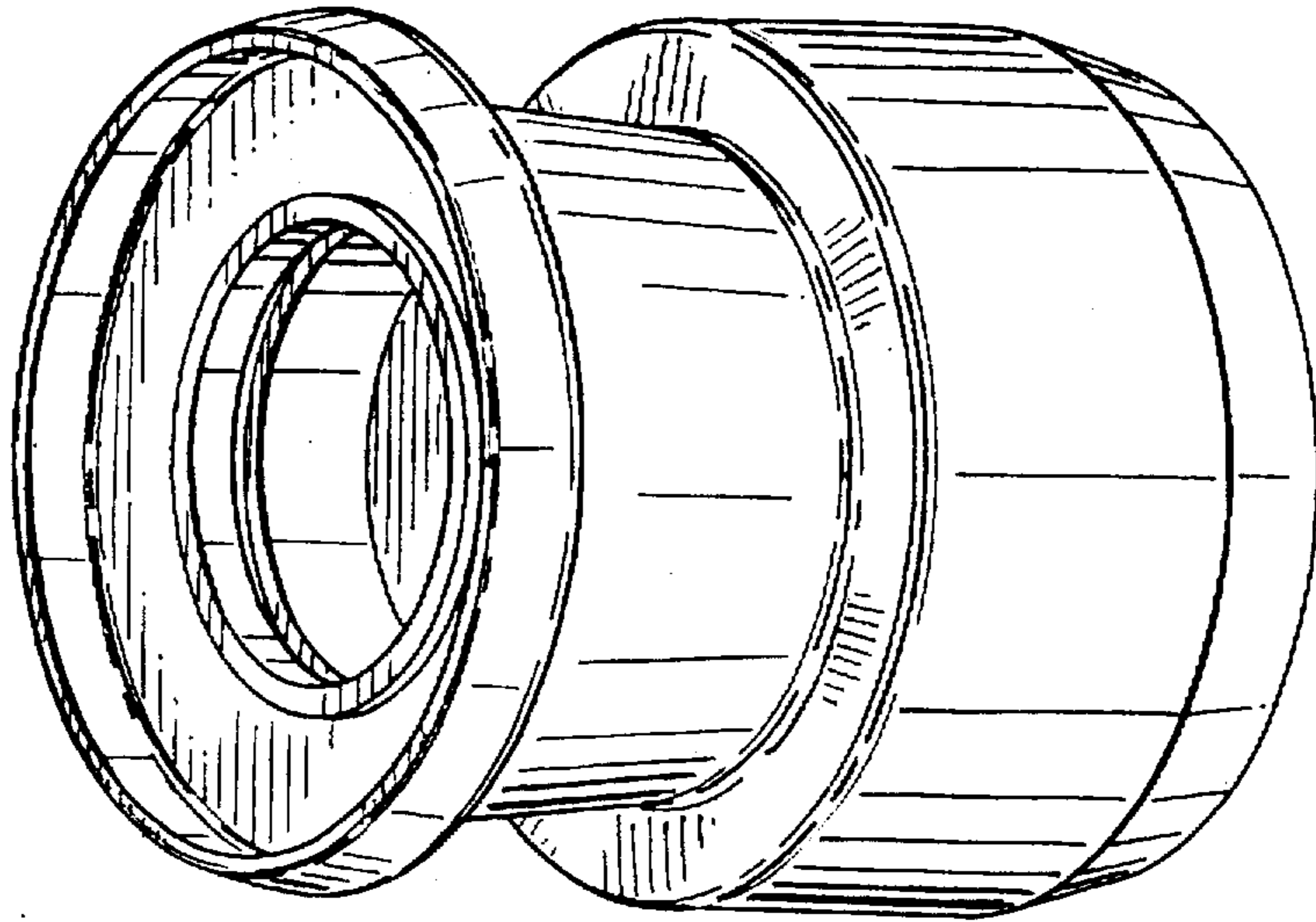


FIG. 2

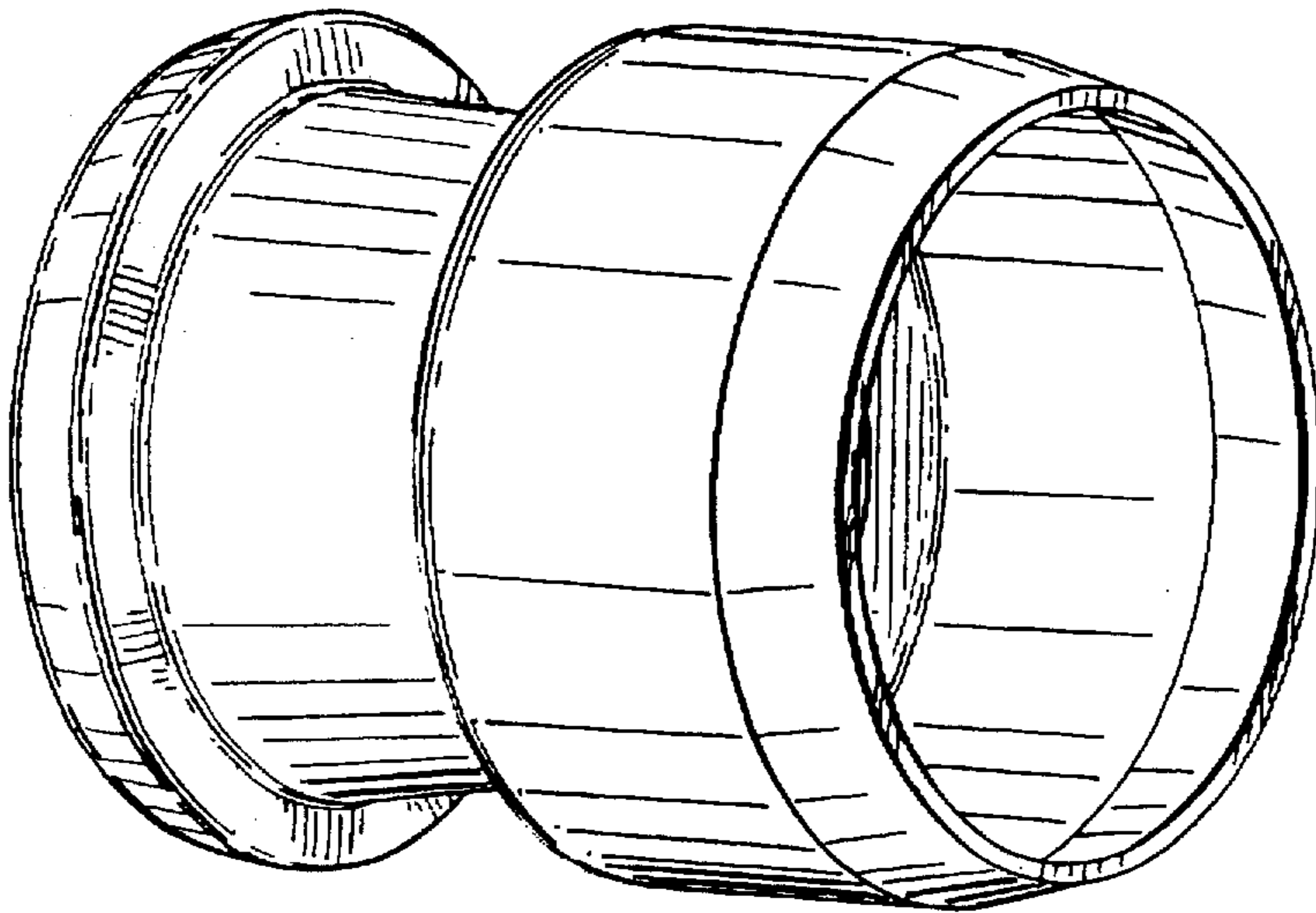


FIG. 3

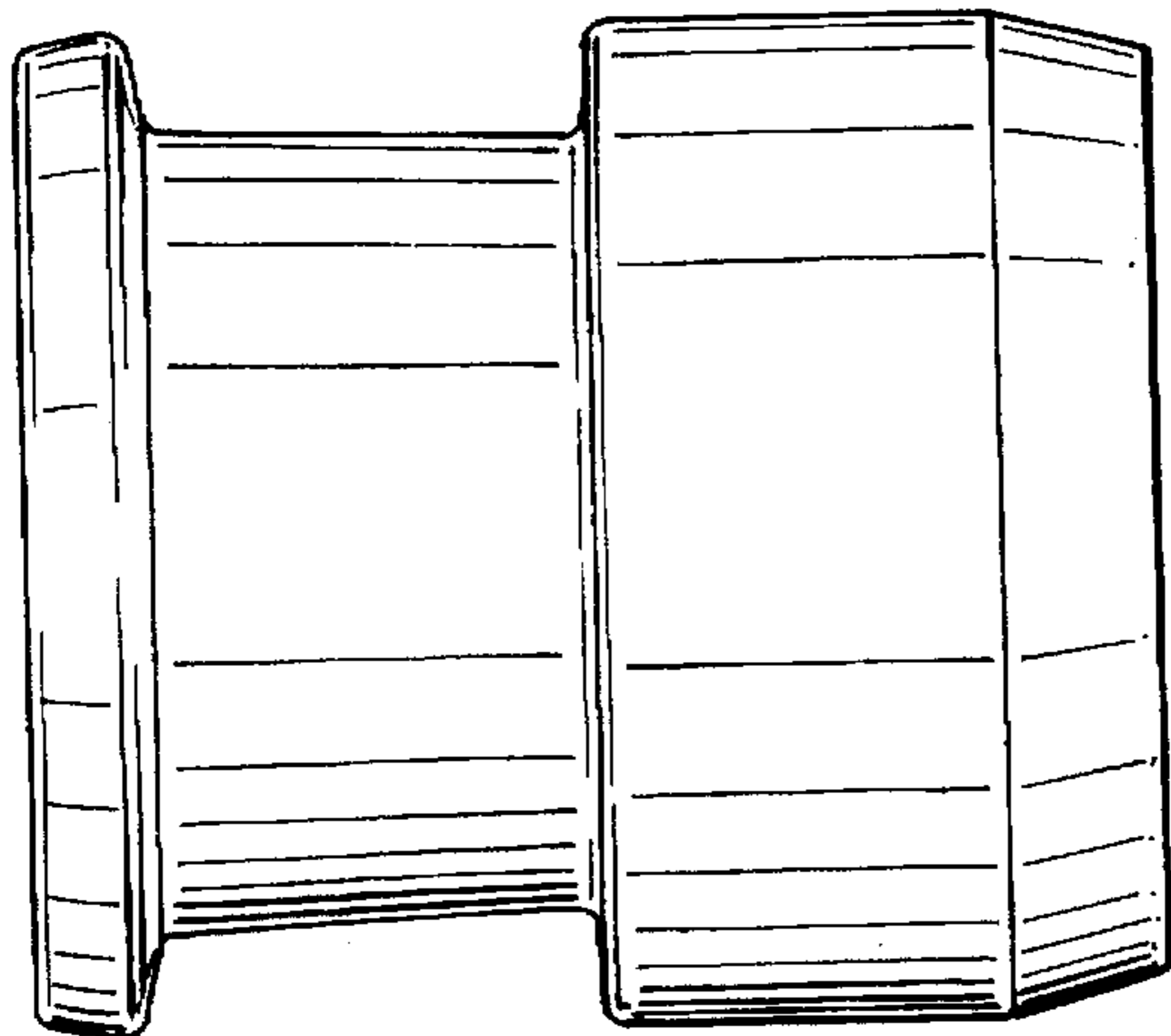


FIG. 4

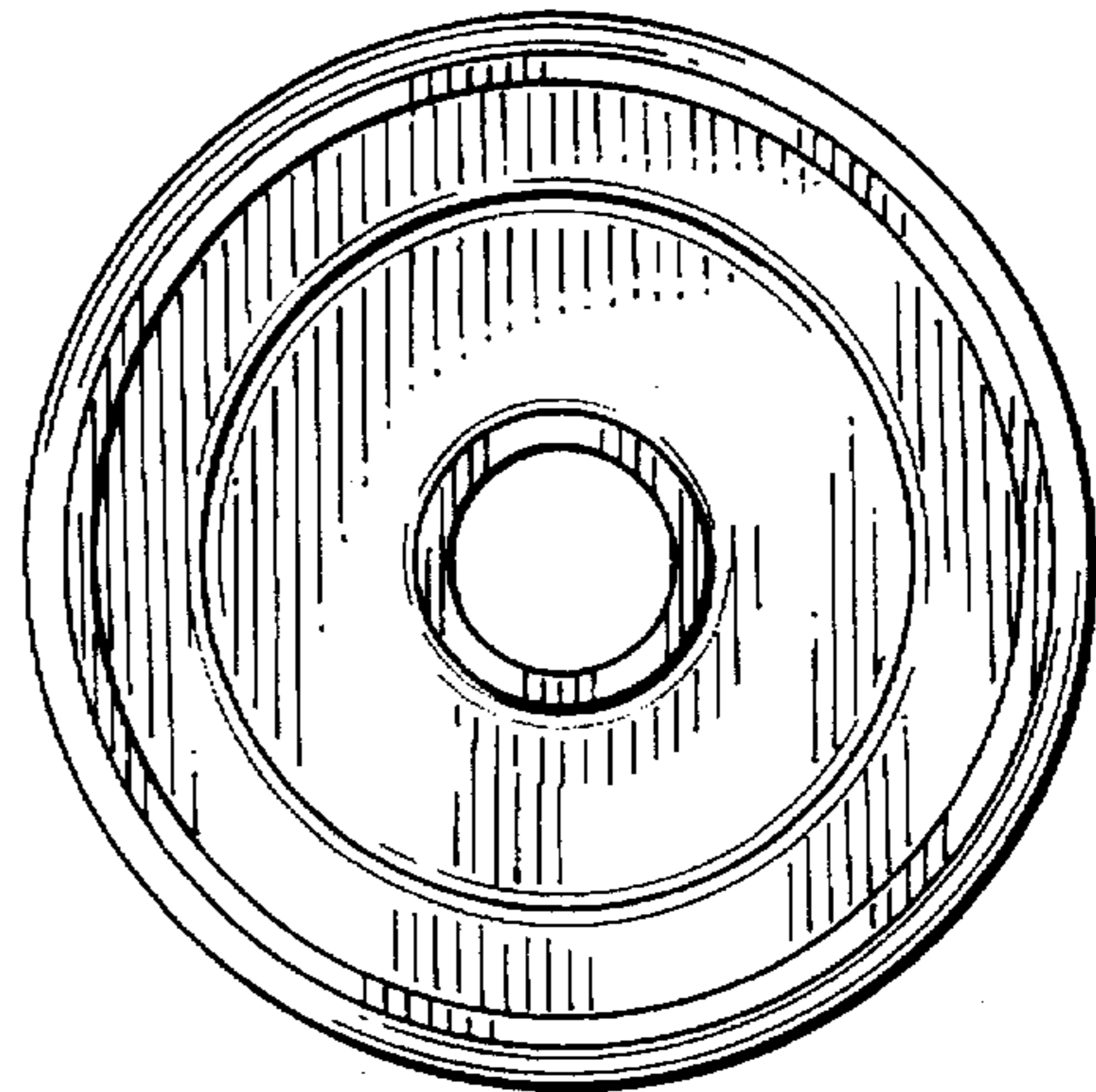


FIG. 6

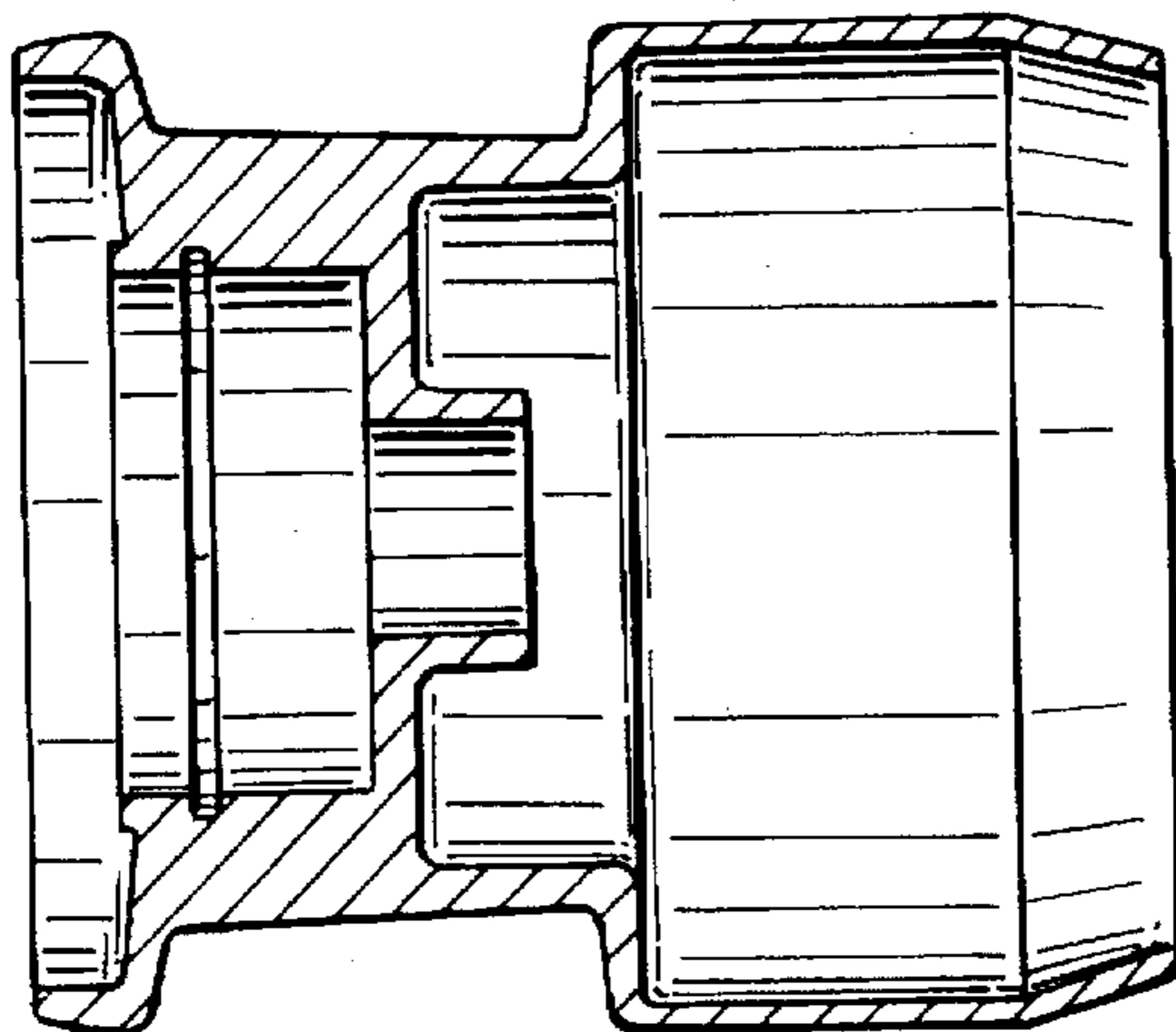


FIG. 5

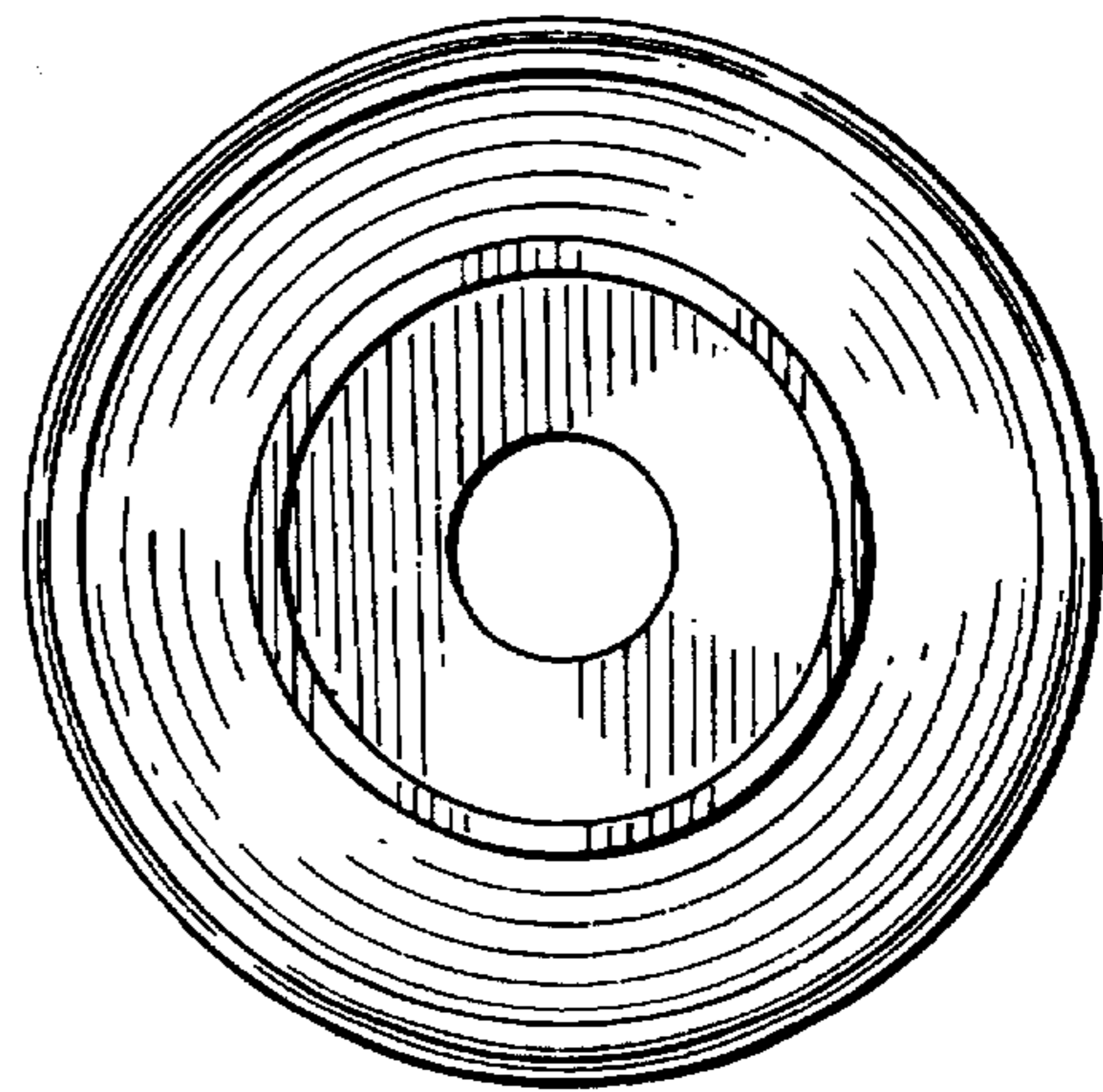


FIG. 7

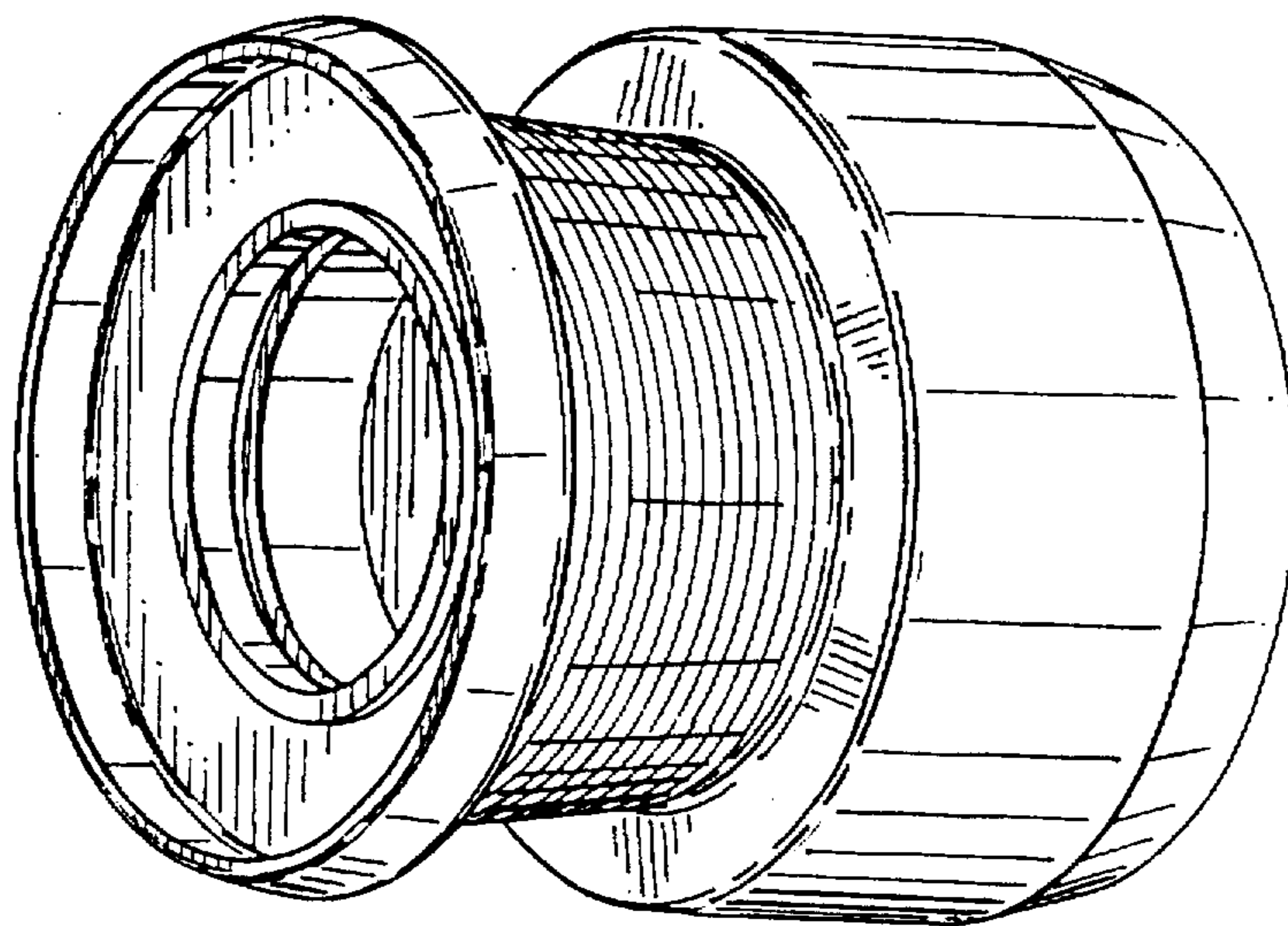


FIG. 8

