



US00D393687S

United States Patent [19]

[11] Patent Number: Des. 393,687

Griger et al.

[45] Date of Patent: **Apr. 21, 1998

[54] **ACTIVITY PLAYGROUND SIMULATING A PIZZA**

[75] Inventors: **Jennifer D. Griger**, 1270 Emerald Creek Dr., Broadview Heights, Ohio 44147-2575; **Sarah A. Stowell**, Omaha, Nebr.; **Tiffany Townsend**, 12255 - 24th Ave. N., Plymouth, Minn. 55441; **Alyssa Van Blaricom**, Ankeny, Iowa

[73] Assignees: **Jennifer D. Griger**, Broadview Hts., Ohio; **Tiffany Townsend**, Plymouth, Minn.; **Sarah J. Stowell**, Omaha, Nebr.

[**] Term: **14 Years**

[21] Appl. No.: **60,426**

[22] Filed: **Sep. 27, 1996**

[51] LOC (6) Cl. **21-03**

[52] U.S. Cl. **D21/242**

[58] Field of Search D21/242, 240, D21/245; 446/476; 482/35, 36; 472/116, 117

[56] **References Cited**

U.S. PATENT DOCUMENTS

D. 222,590 11/1971 Chase D21/243

D. 260,108 8/1981 Ament et al. .
D. 363,522 10/1995 Erick .
D. 363,523 10/1995 Erick .
D. 370,708 6/1996 Erick D21/245
D. 370,957 6/1996 Erick D21/245
3,756,593 9/1973 Lehr .
3,962,734 6/1976 Chase D21/252 C
4,378,216 3/1983 Phillips .

Primary Examiner—Raphael Barkai
Assistant Examiner—Mitchell I. Siegel

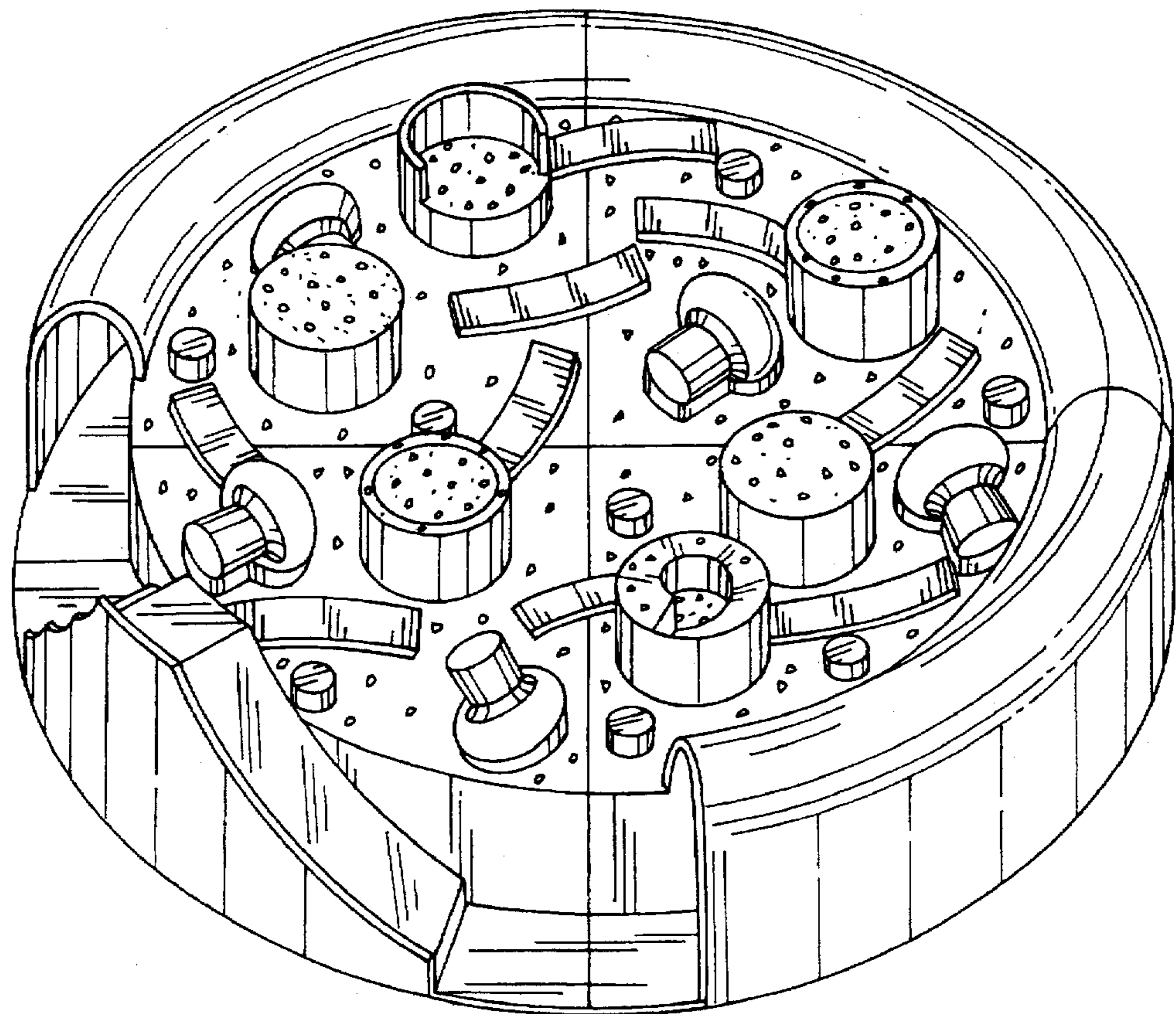
[57] **CLAIM**

The ornamental design for a activity playground simulating a pizza, as shown.

DESCRIPTION

FIG. 1 is a perspective view of a activity playground simulating a pizza showing our new design;
FIG. 2 is a top plan view thereof;
FIG. 3 is a front elevational view thereof;
FIG. 4 is a rear elevational view thereof;
FIG. 5 is left side elevational view thereof;
FIG. 6 is a right side elevational view thereof; and,
FIG. 7 is a bottom plan view thereof.

1 Claim, 4 Drawing Sheets



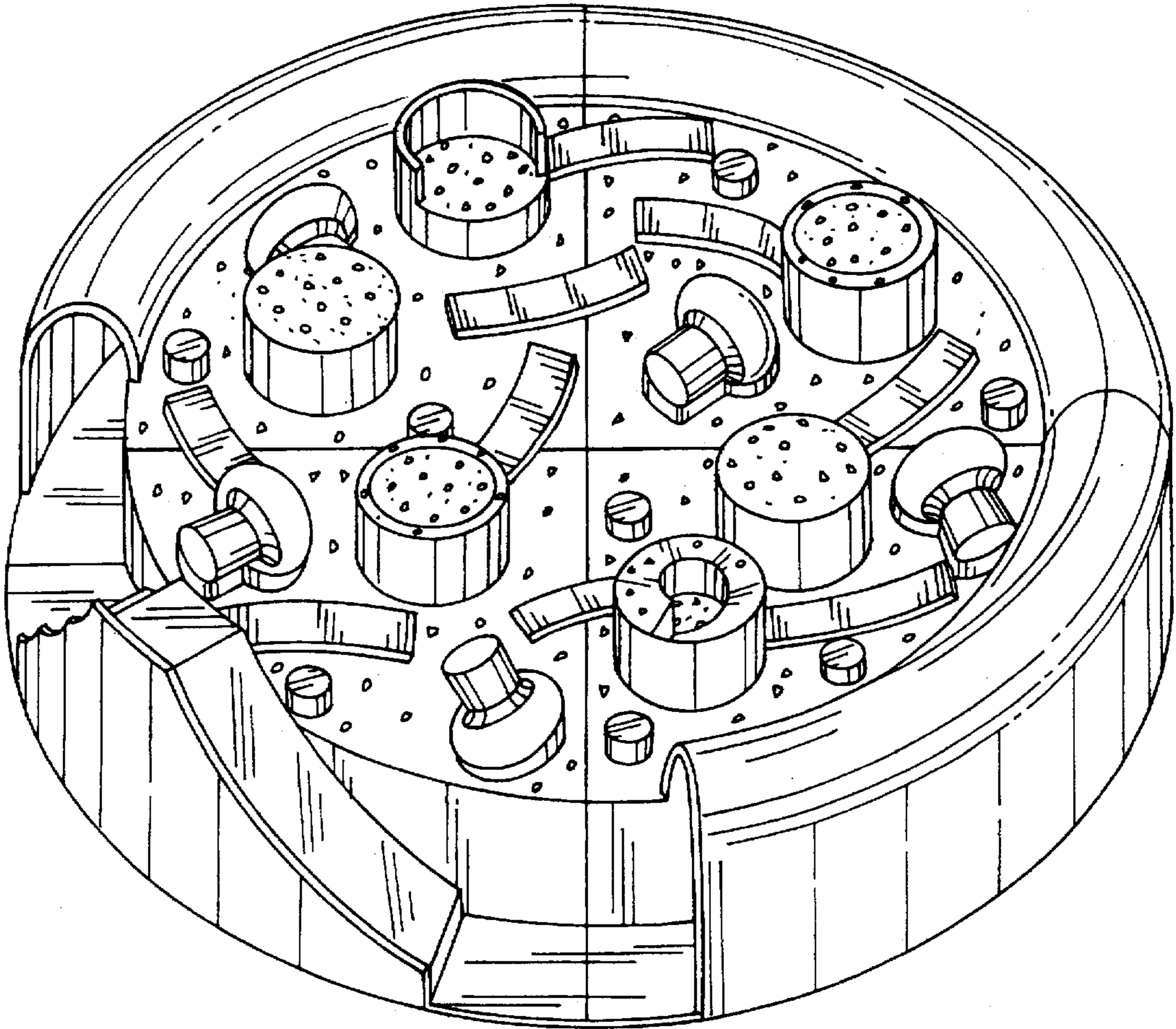


FIG. 1

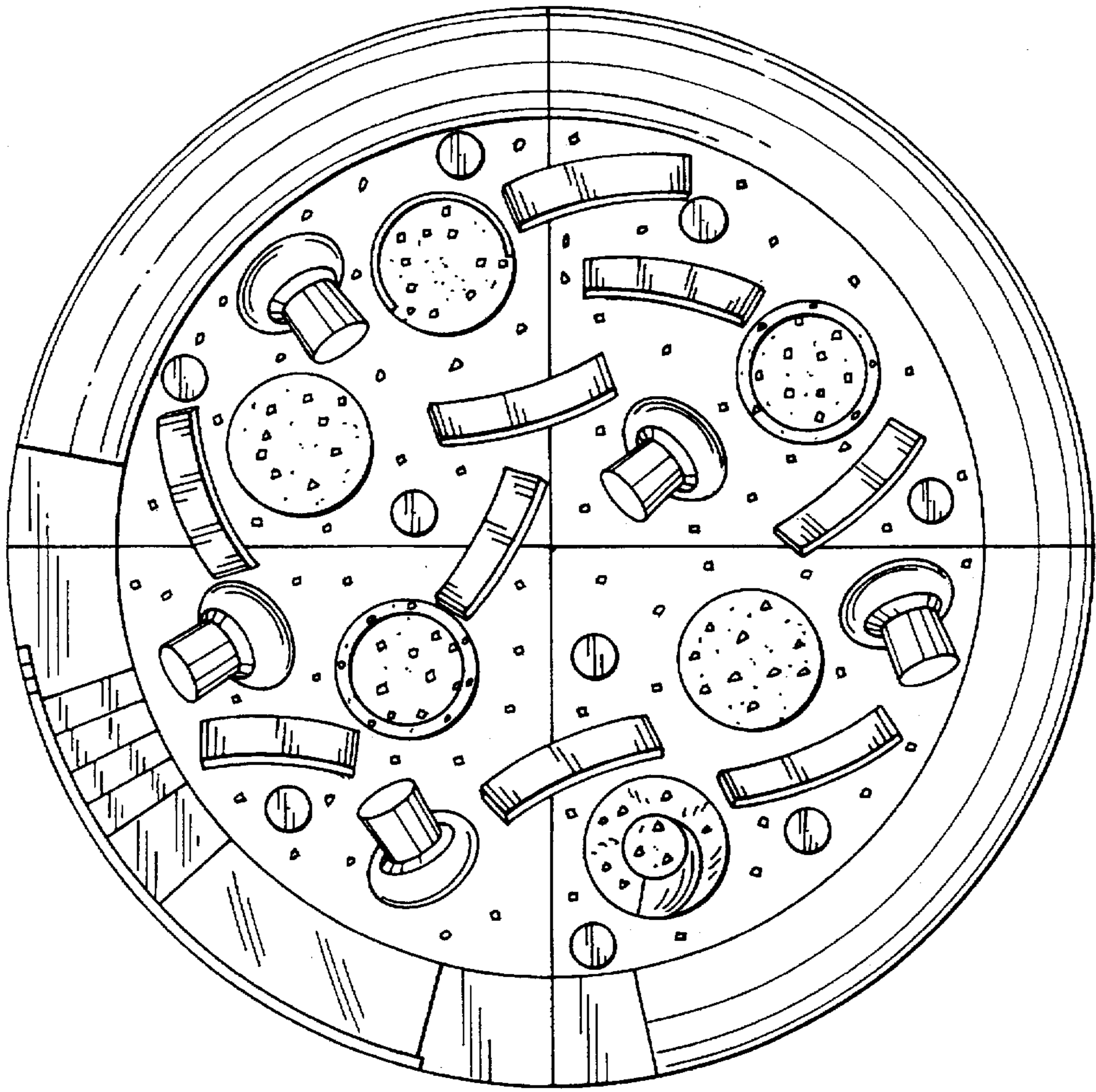


FIG. 2

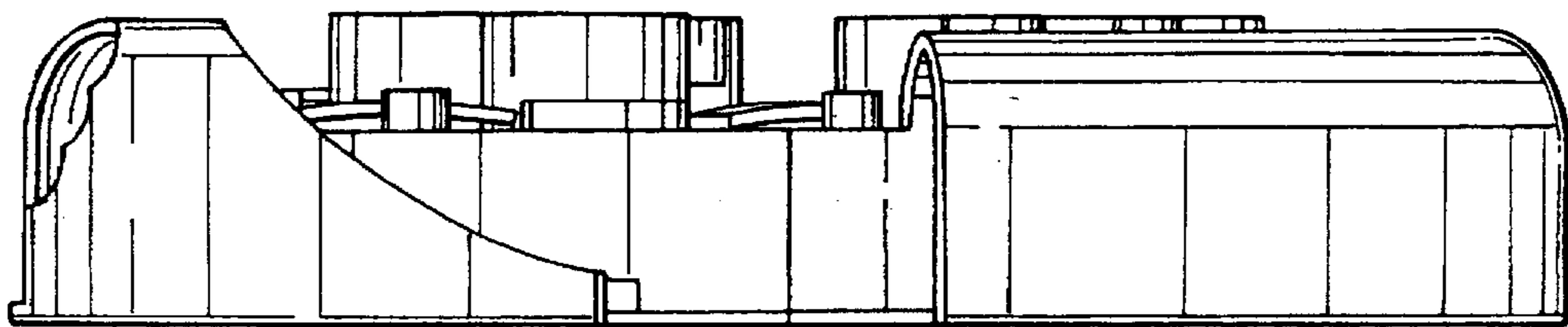


FIG. 3

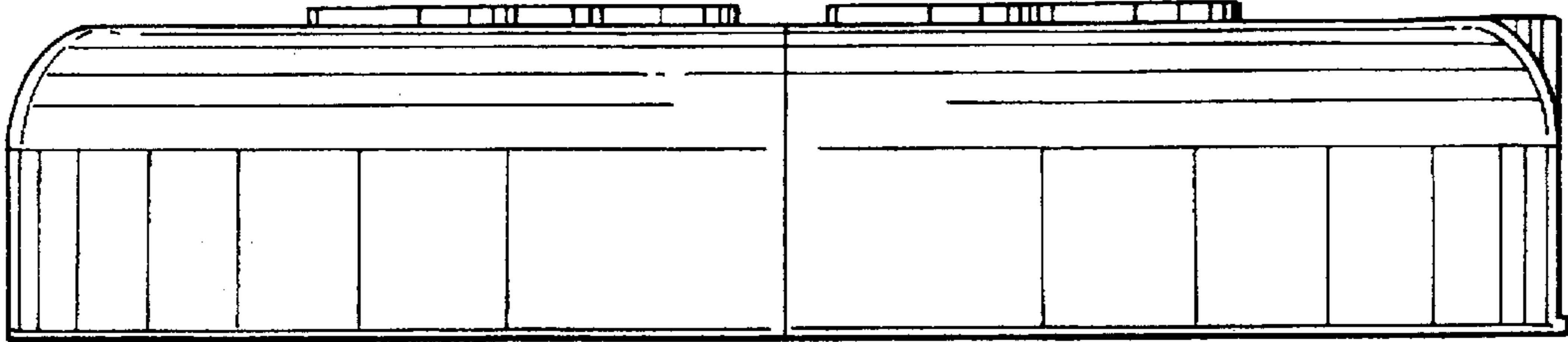


FIG. 4

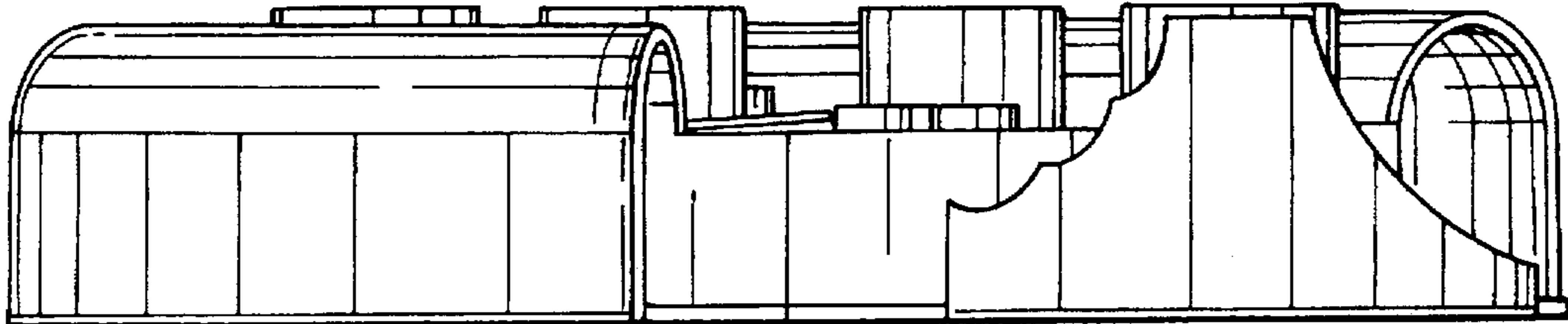


FIG. 5

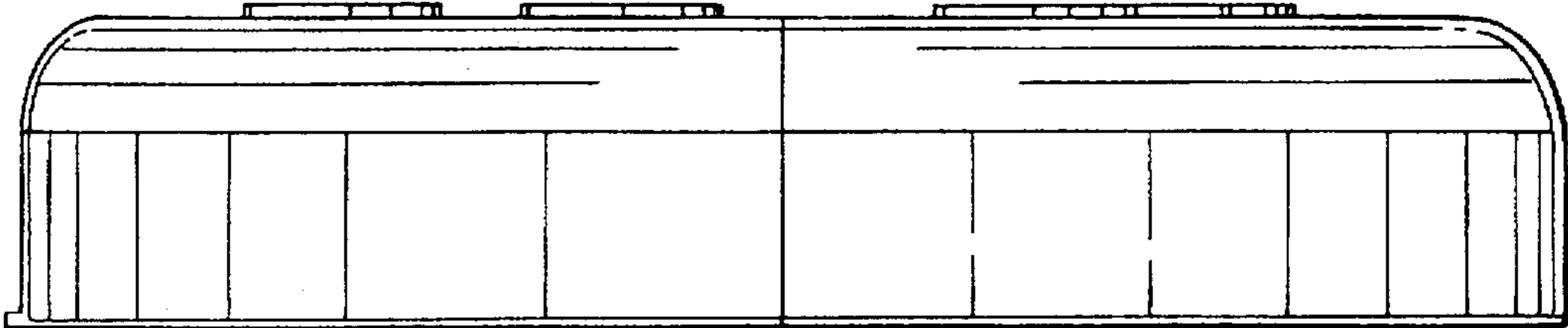


FIG. 6

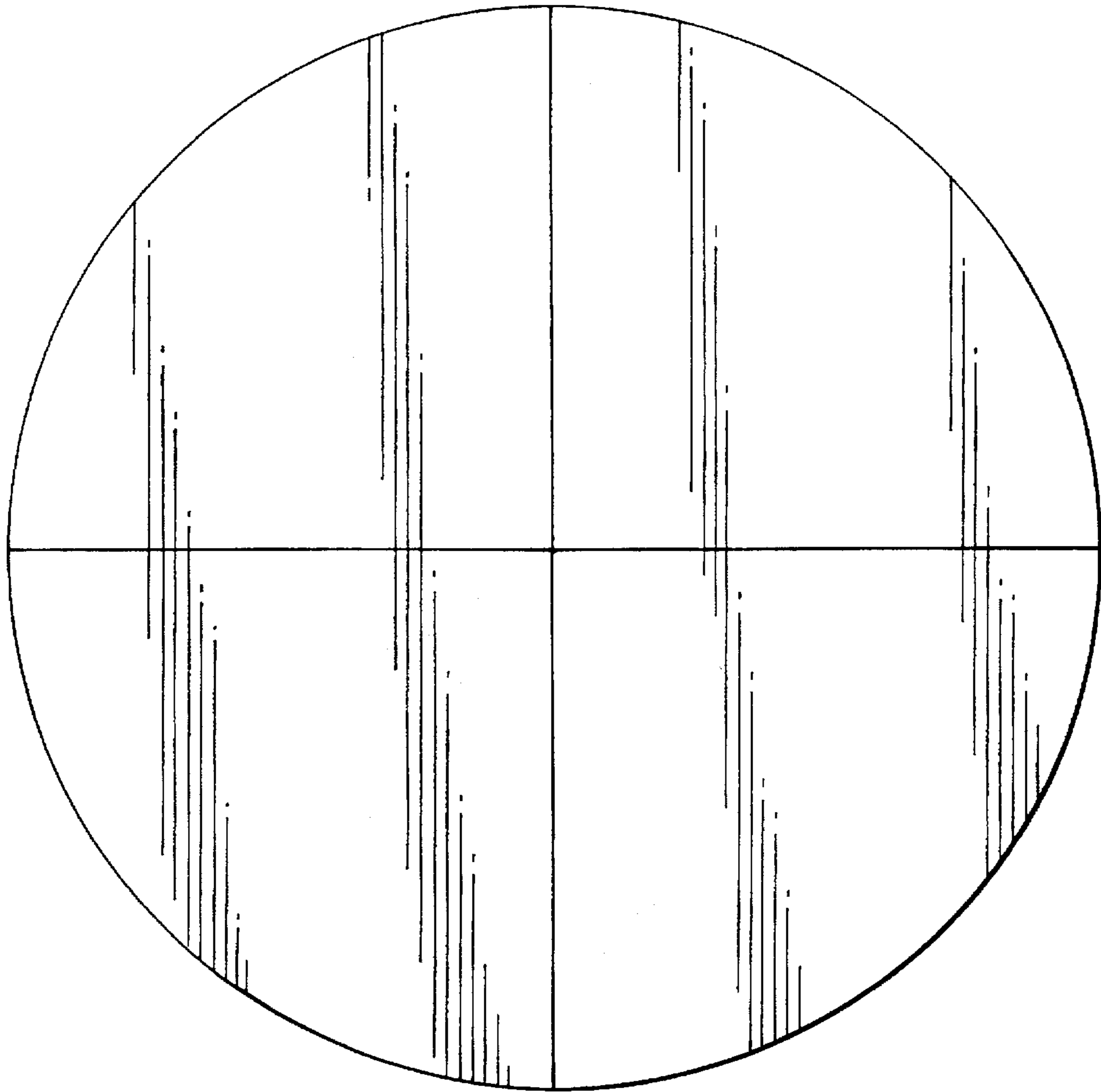


FIG. 7