



US00D393683S

United States Patent [19]

Song et al.

[11] Patent Number: **Des. 393,683**

[45] Date of Patent: ****Apr. 21, 1998**

[54] **INFLATABLE RAFT**

D. 362,706 9/1995 Wamsley D21/237
5,564,357 10/1996 Peterson 114/345

[75] Inventors: **Rong-Jyh Song**, Miao-Li Hsien;
Tsung-Ping Yen, Taipei; **Jui-Yi Weng**;
Yuan-Chen Chen, both of Taoyuan
Hsien, all of Taiwan

Primary Examiner—Kay H. Chin
Attorney, Agent, or Firm—Merchant, Gould, Smith, Edell,
Welter & Schmidt, P.A.

[73] Assignee: **Aqua-Marine International, Inc.**,
Taipei Hsien, Taiwan

[57] **CLAIM**

[**] Term: **14 Years**

The ornamental design for inflatable raft, as shown and described.

[21] Appl. No.: **68,810**

DESCRIPTION

[22] Filed: **Mar. 27, 1997**

FIG. 1 is a perspective view of inflatable raft showing my new design;
FIG. 2 is a front elevational view thereof;
FIG. 3 is a rear elevational view thereof;
FIG. 4 is a left side elevational view thereof;
FIG. 5 is a right side elevational view thereof;
FIG. 6 is a top plan view thereof;
FIG. 7 is a bottom plan view thereof;
FIG. 8 is another perspective view thereof, the broken lines of canopy and oars are for illustrative purposes only and form no part of the claimed design; and,
FIG. 9 is a perspective view thereof with the back rest in another position.

[51] LOC (6) Cl. **12-06**

[52] U.S. Cl. **D21/237; D12/316**

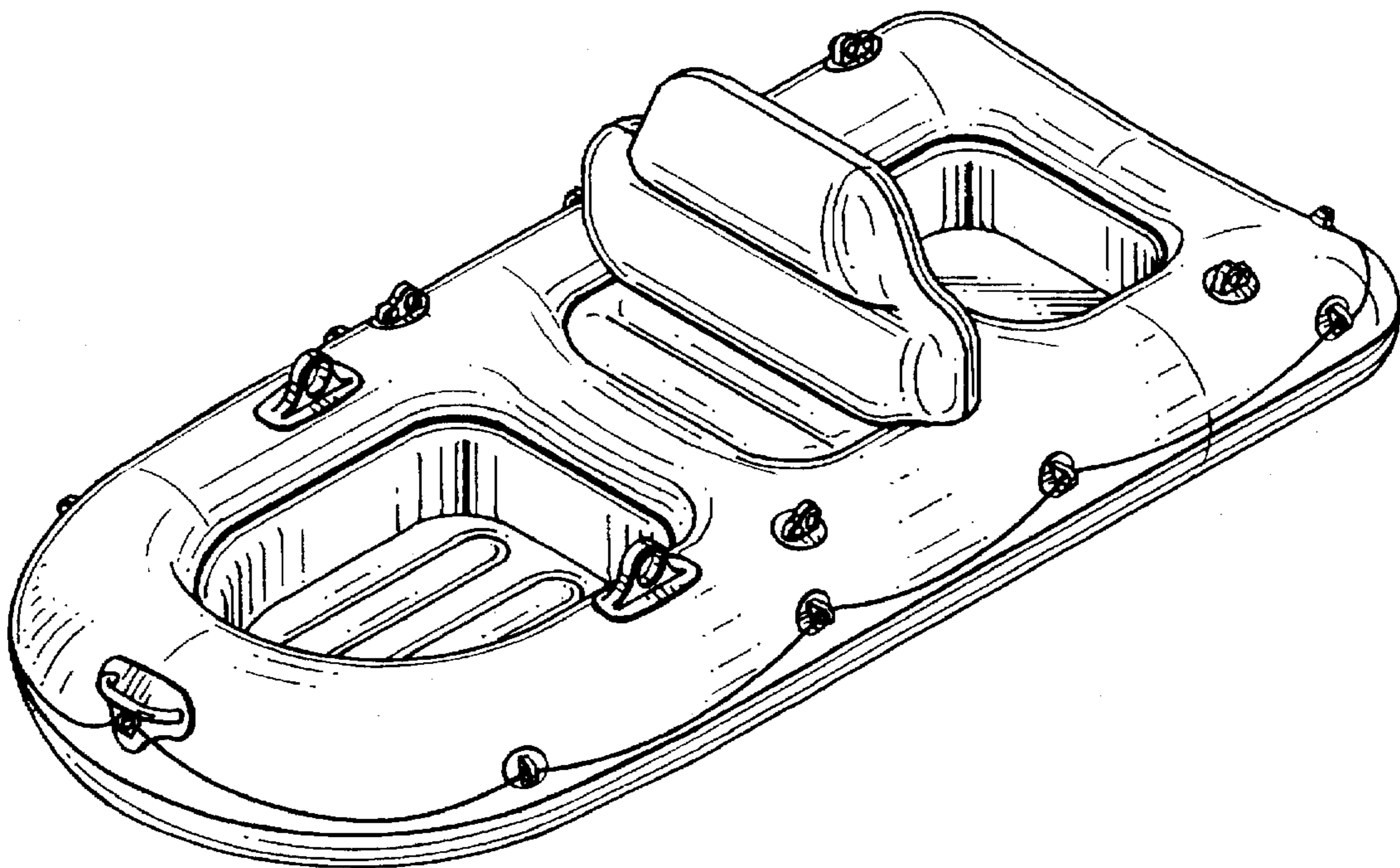
[58] Field of Search D21/236, 237;
441/40, 35, 65, 66, 67, 129, 130, 131, 132,
136; D12/300, 318; 114/345, 343, 270,
361

[56] **References Cited**

U.S. PATENT DOCUMENTS

D. 301,322 5/1989 Lee D12/316 X
D. 351,009 9/1994 Wolfe D12/316 X

1 Claim, 7 Drawing Sheets



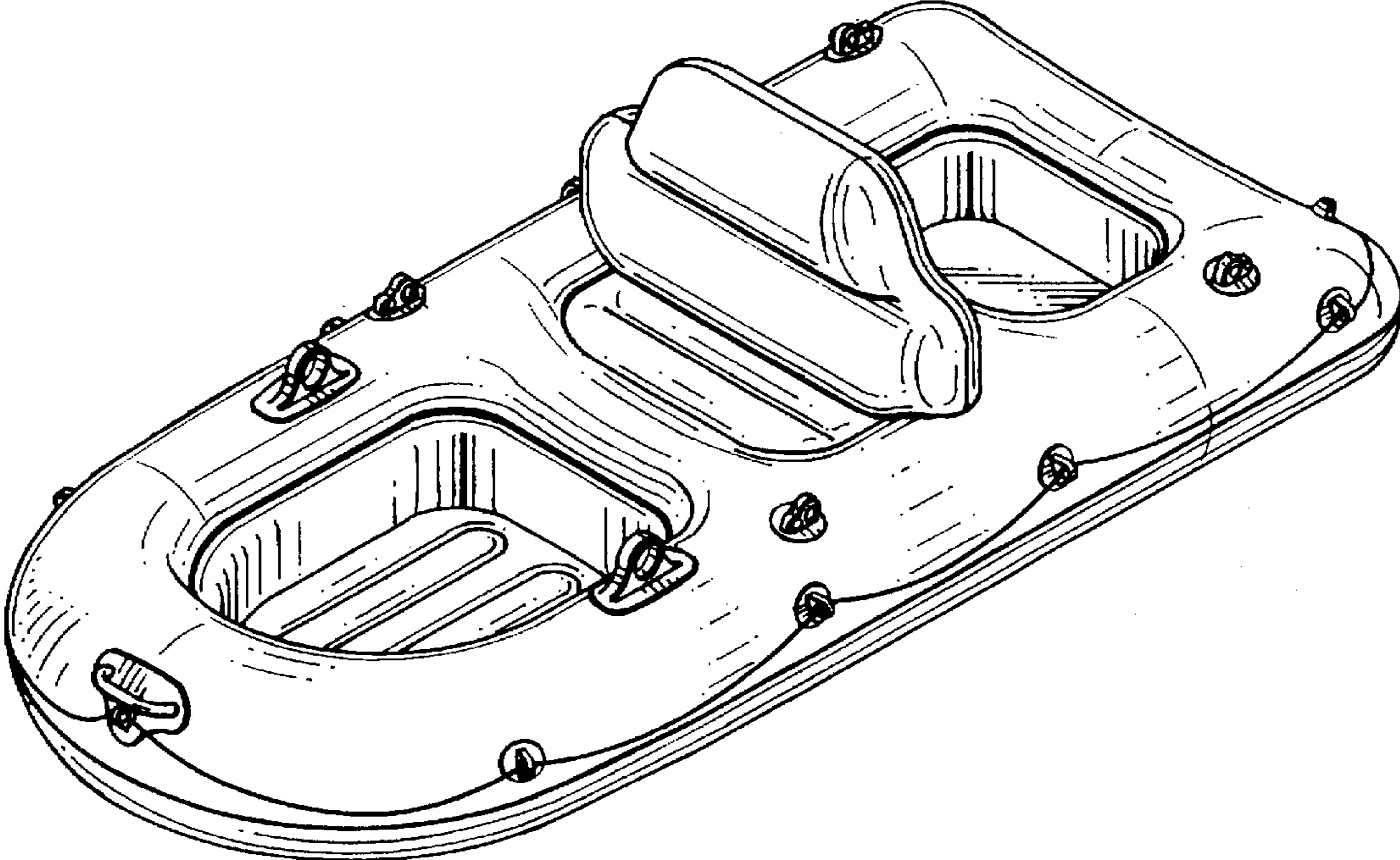


FIG. 1

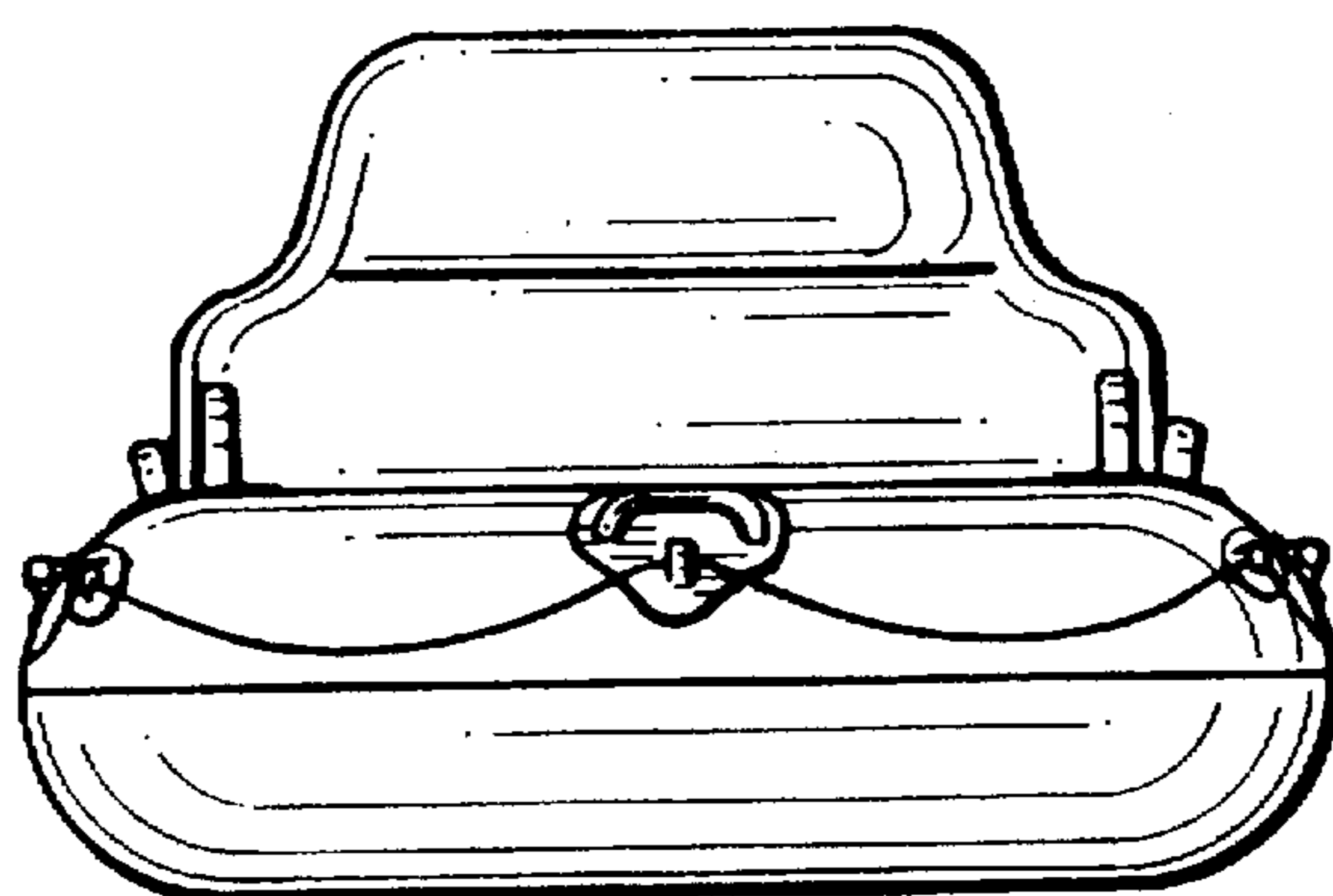


FIG. 2

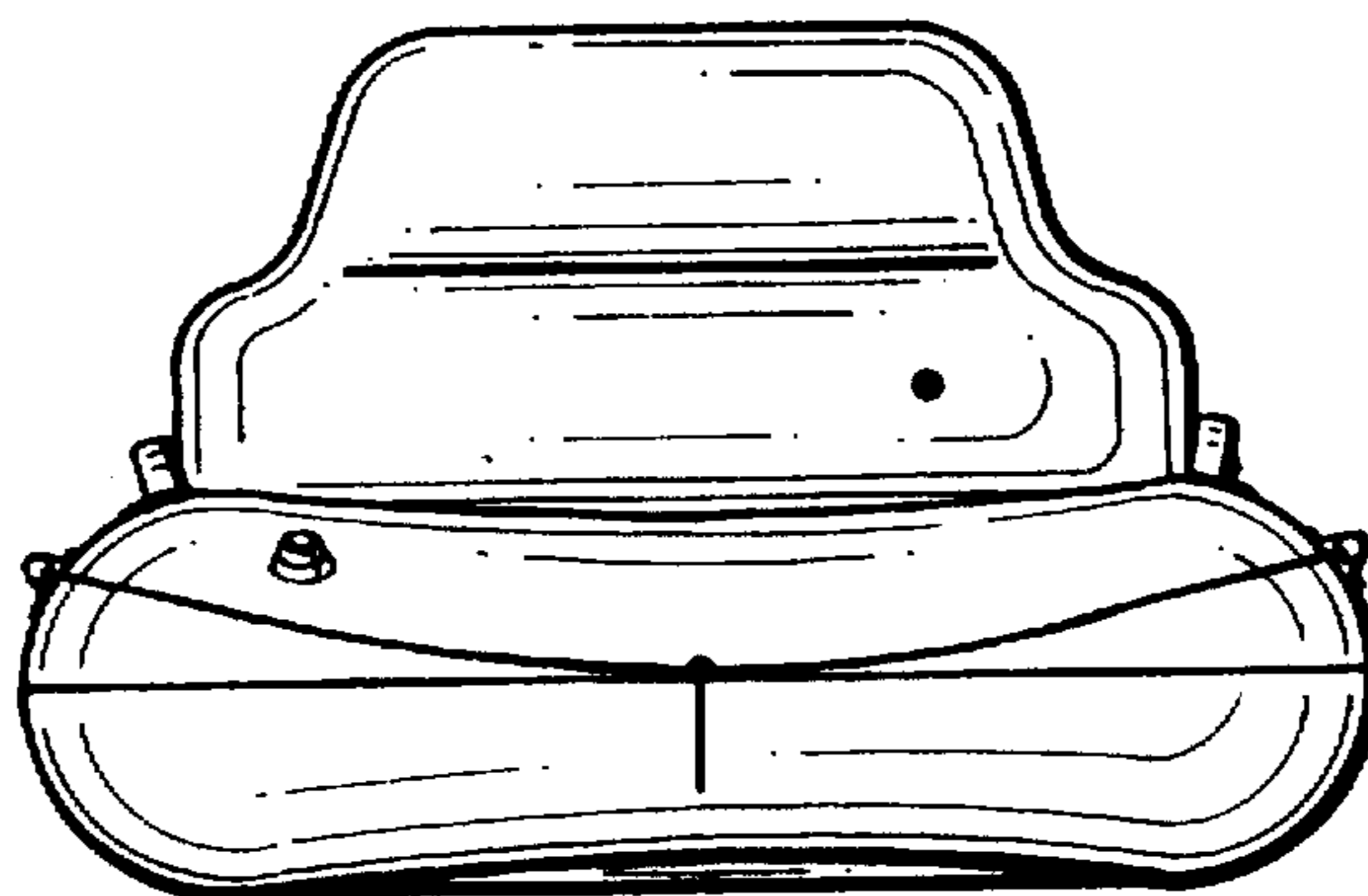


FIG. 3

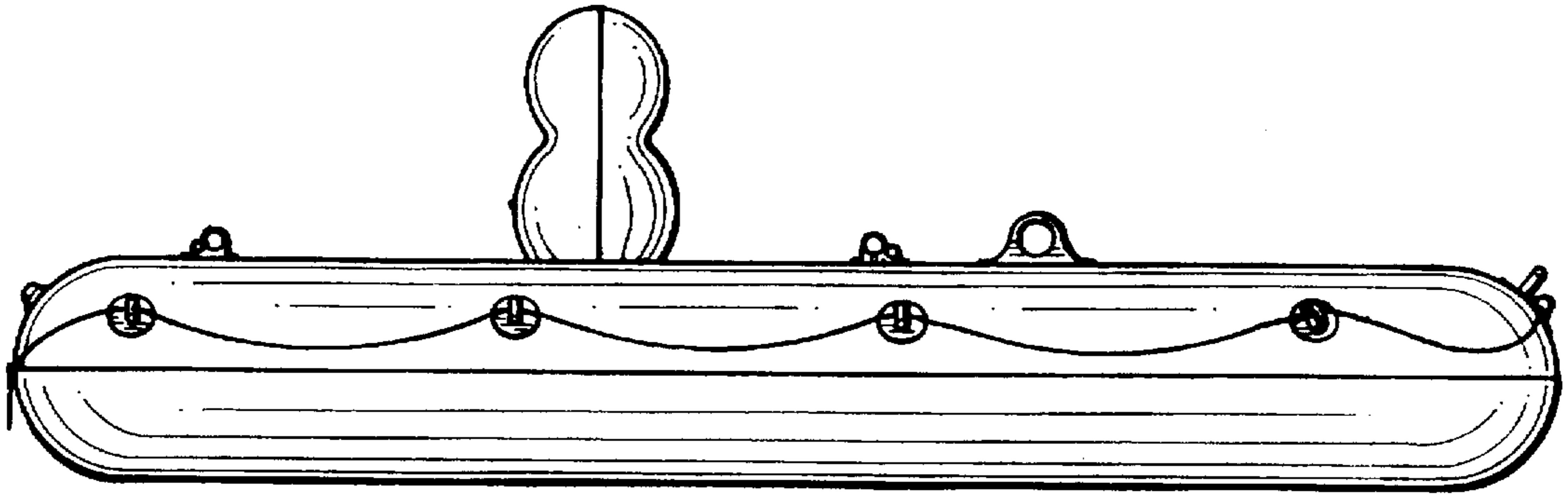


FIG. 4

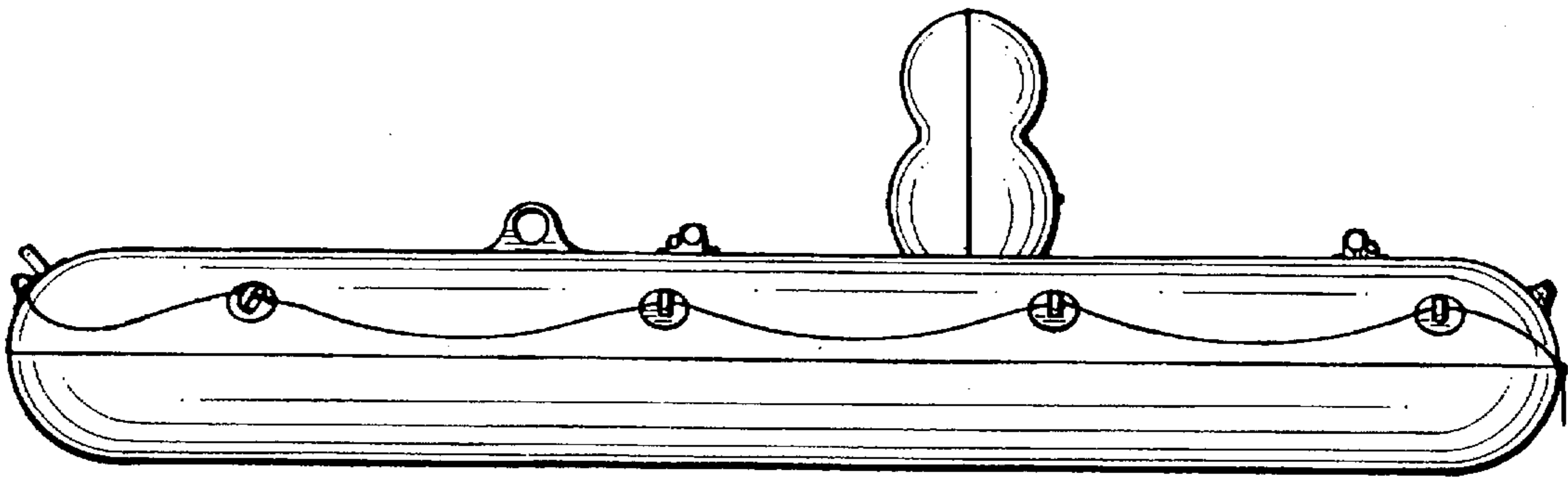


FIG. 5

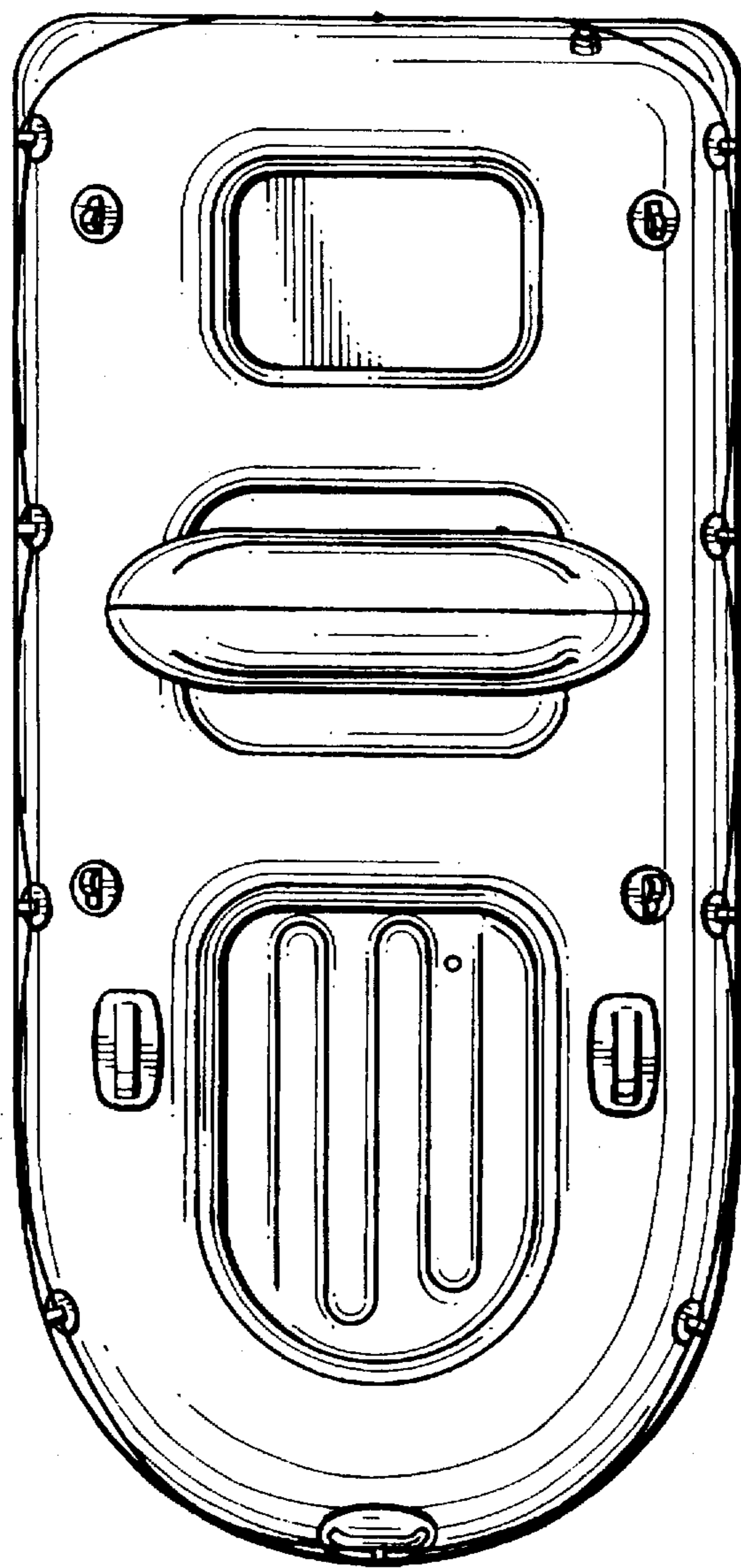


FIG. 6

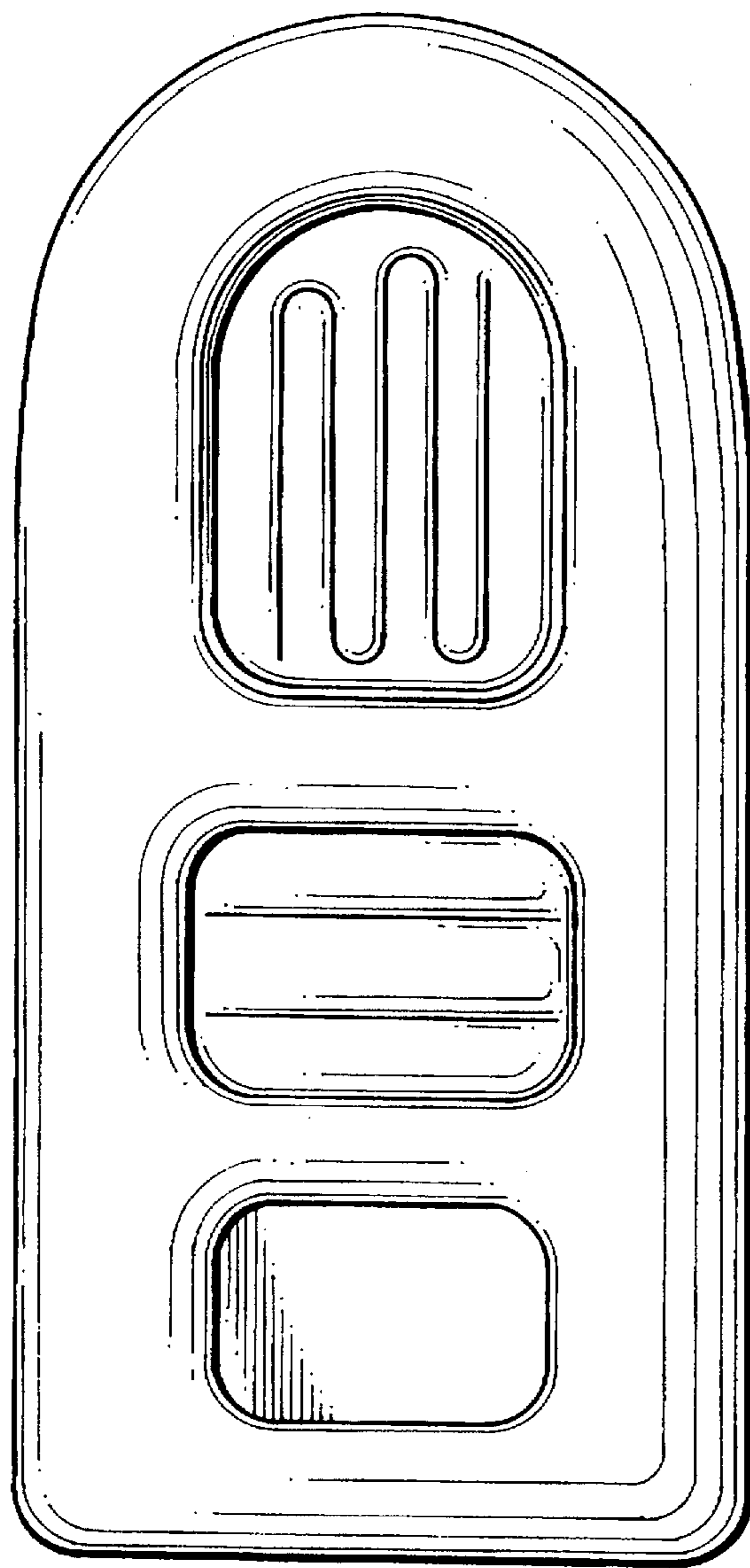


FIG. 7

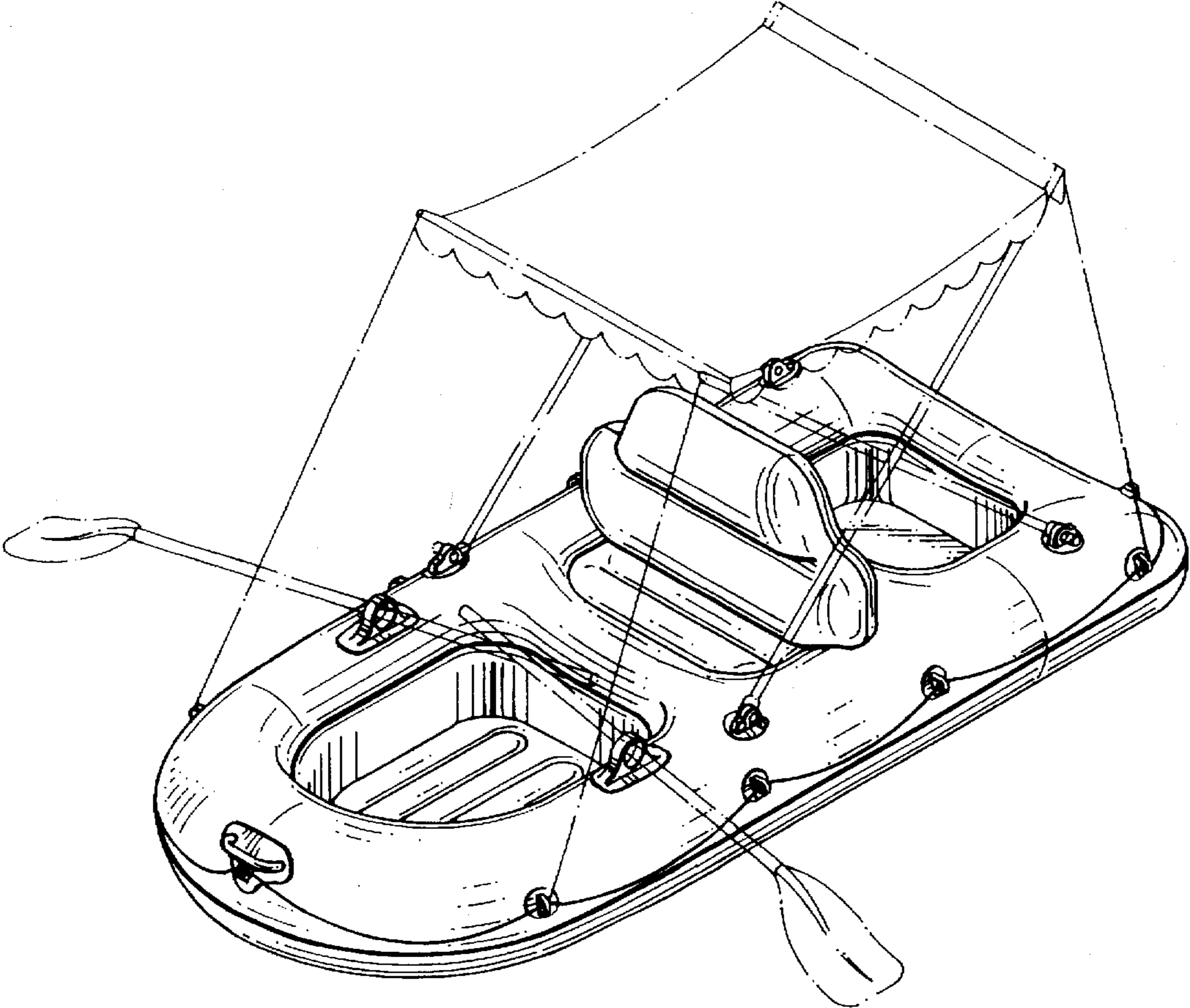


FIG. 8

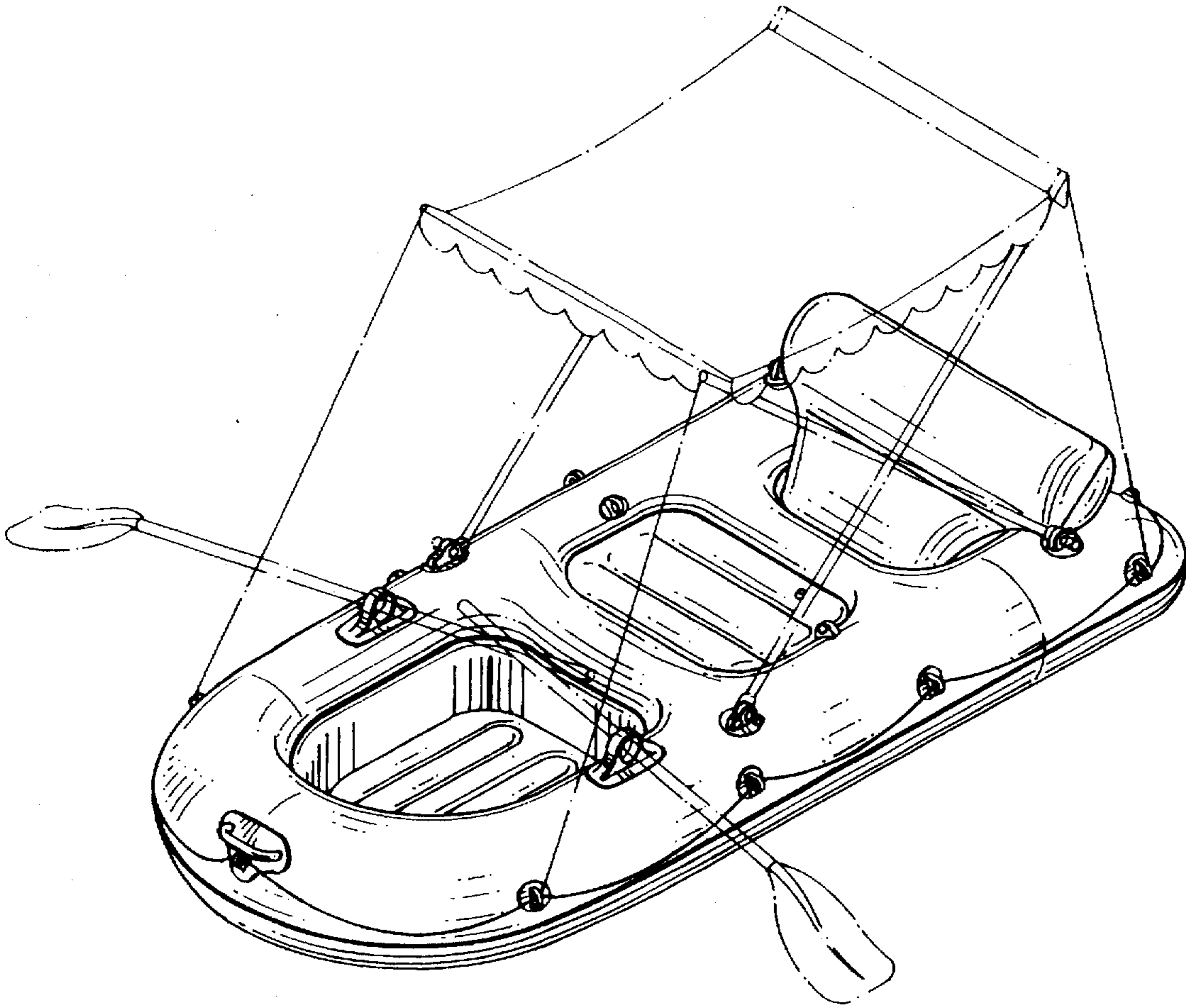


FIG. 9