



US00D393674S

# United States Patent [19]

[11] Patent Number: Des. 393,674

Rhee

[45] Date of Patent: \*\*Apr. 21, 1998

[54] **PUTTER HEAD**

[76] Inventor: **Edward Rhee**, 721 Cambridge Ct.,  
Downers Grove, Ill. 60516

[\*\*] Term: **14 Years**

[21] Appl. No.: **62,622**

[22] Filed: **Nov. 20, 1996**

[51] LOC (6) Cl. .... **21-02**

[52] U.S. Cl. .... **D21/217**

[58] Field of Search ..... D21/217-219,  
D21/214; 473/251-256, 340, 341

[56] **References Cited**

**U.S. PATENT DOCUMENTS**

D. 240,751	7/1976	Taylor	.....	D21/217 X
D. 344,118	2/1994	Lin	.....	D21/214
D. 347,253	5/1994	Cook	.....	D21/219
D. 364,205	11/1995	Duclos	.....	D21/217
D. 372,063	7/1996	Hueber	.....	D21/214
5,533,728	7/1996	Pehoski et al.	.....	473/341 X

**OTHER PUBLICATIONS**

Titleist brochure; Zebra putters, left side of page, 1994.  
Golf World; p. 8; Tiger Shark putter, upper left side of page,  
Aug. 1977.

*Primary Examiner*—Ted Shooman  
*Assistant Examiner*—Mitchell I. Siegel  
*Attorney, Agent, or Firm*—Emrich & Dithmar

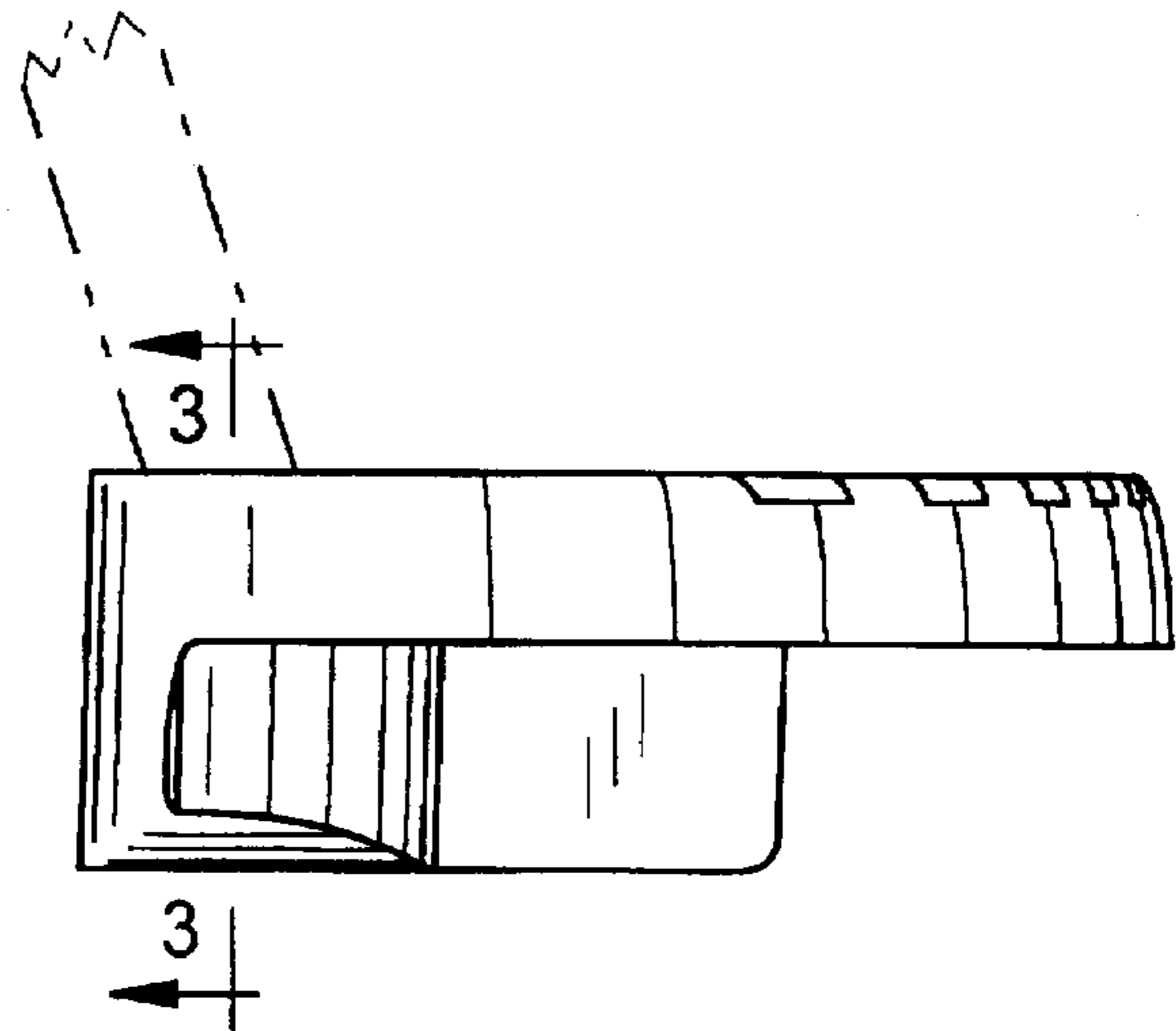
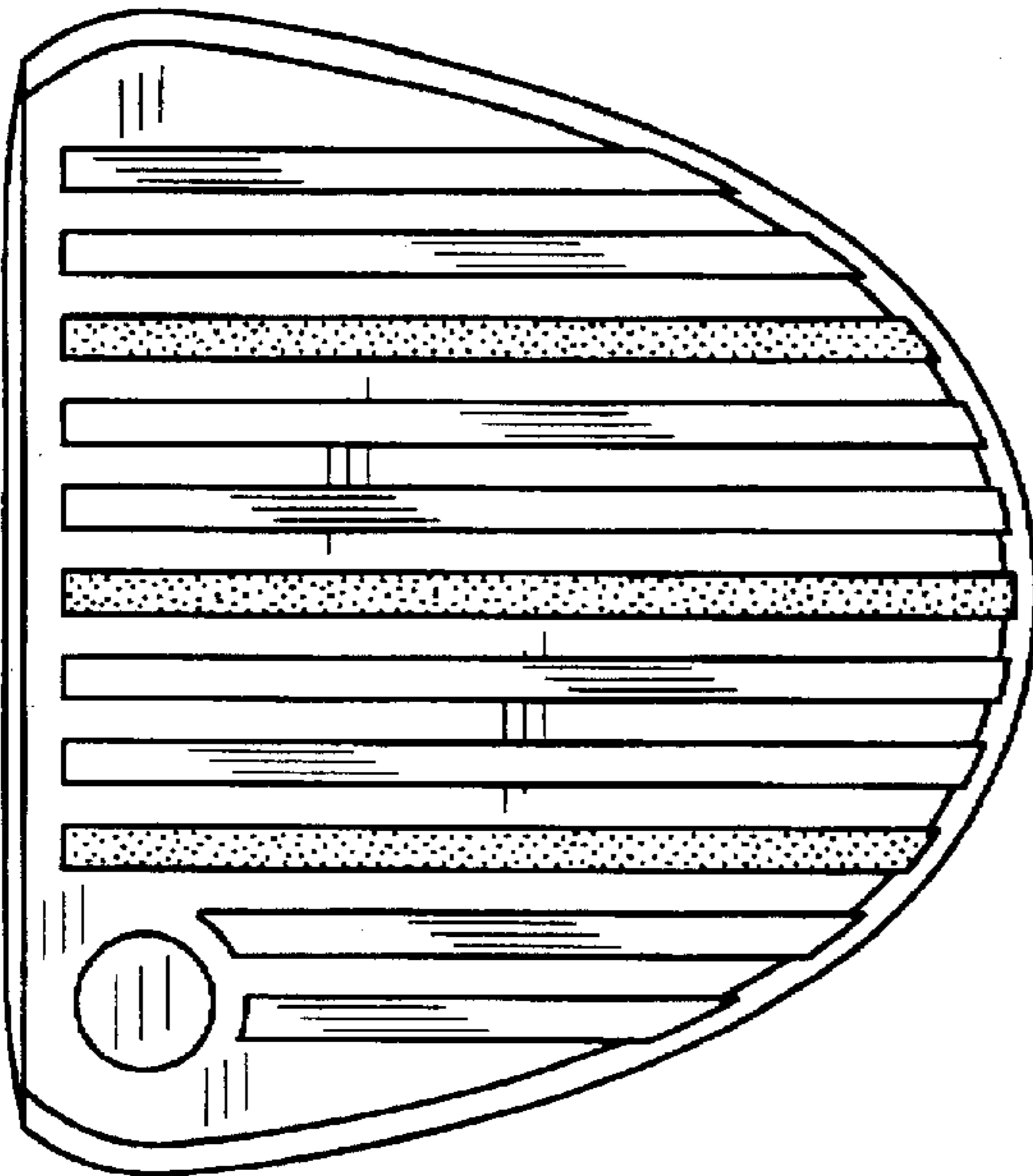
[57] **CLAIM**

The ornamental design for a putter head, as shown and described.

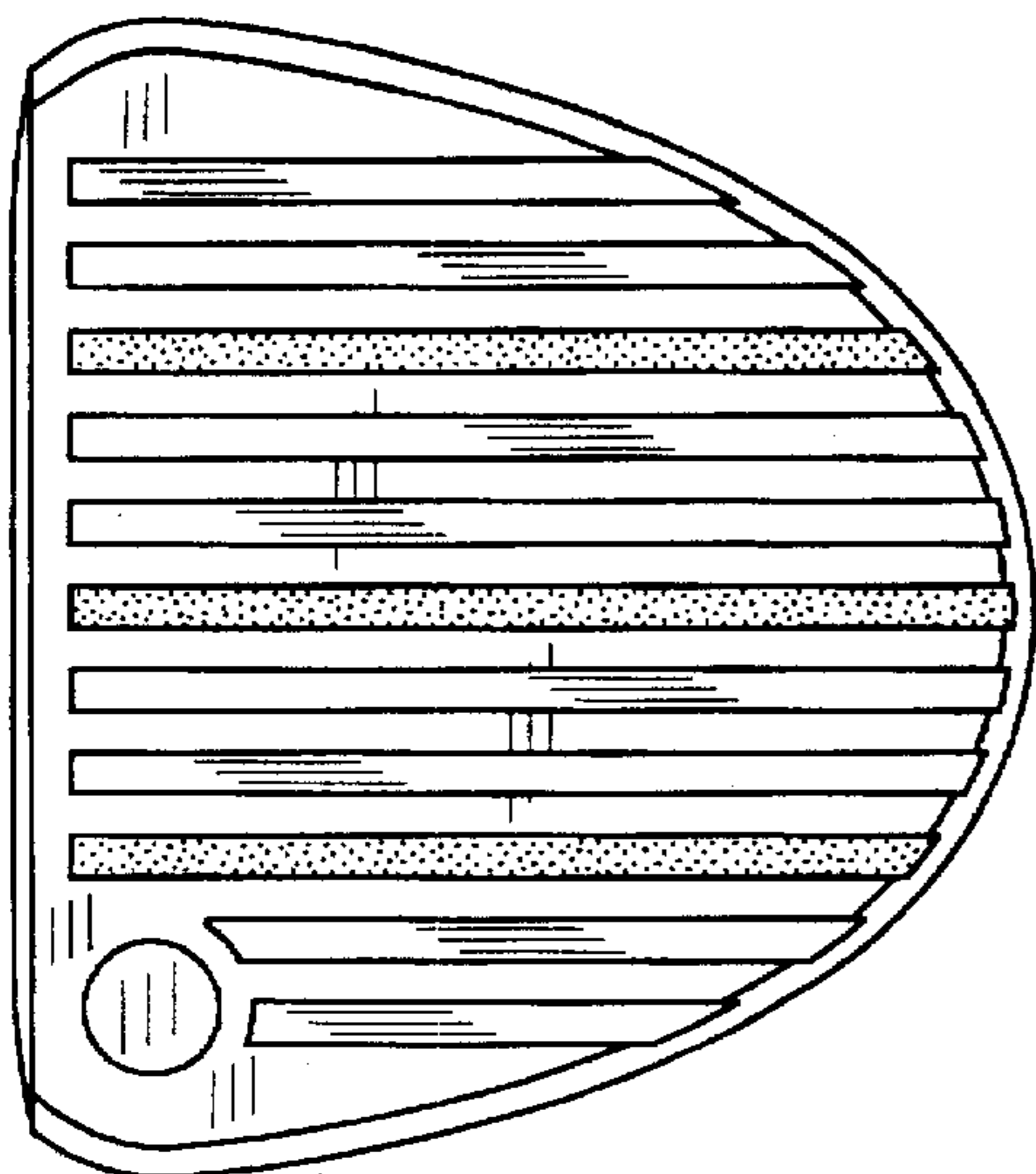
**DESCRIPTION**

FIG. 1 is a plan view of a putter head design incorporating the inventive design;  
FIG. 2 is a right side view of the putter head design, the undisclosed opposite side being a mirror image;  
FIG. 3 is a cross-sectional view of the inventive putter head design taken through the site line 3—3 of FIG. 2;  
FIG. 4 is a frontal view of the inventive putter head design (that is, taken from the left side of FIG. 1);  
FIG. 5 is a rear view of the inventive putter head design; and, FIG. 6 is a bottom view of the inventive putter head design.  
In the drawing, the stippling in FIG. 1 represents a contrasting color, but is not indicative of any particular color. Other than these lines of contrasting color, color forms no part of the design; the broken line showing of a fragmented shaft is for illustrative purposes only and forms no part of the claimed design.

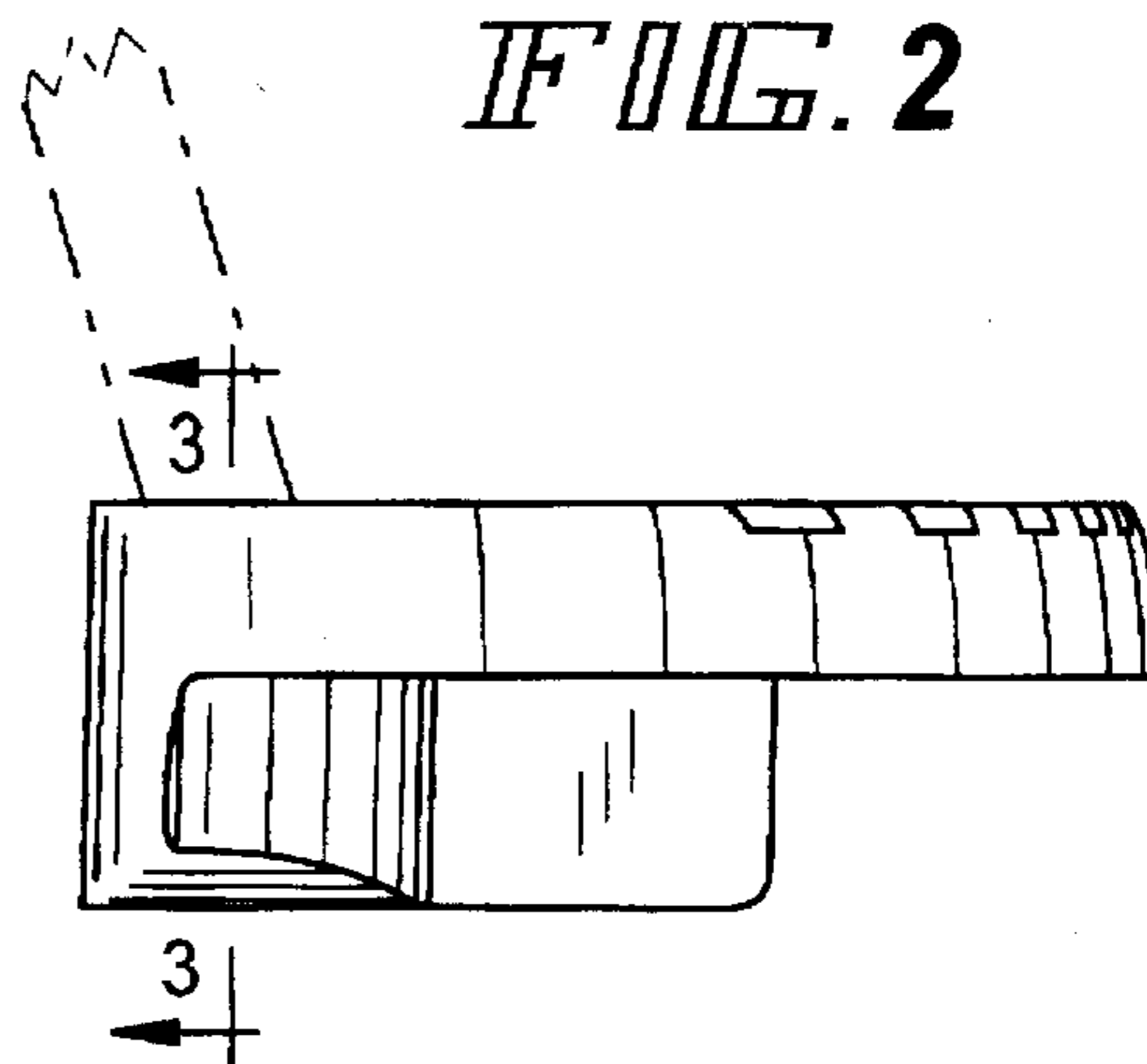
**1 Claim, 1 Drawing Sheet**



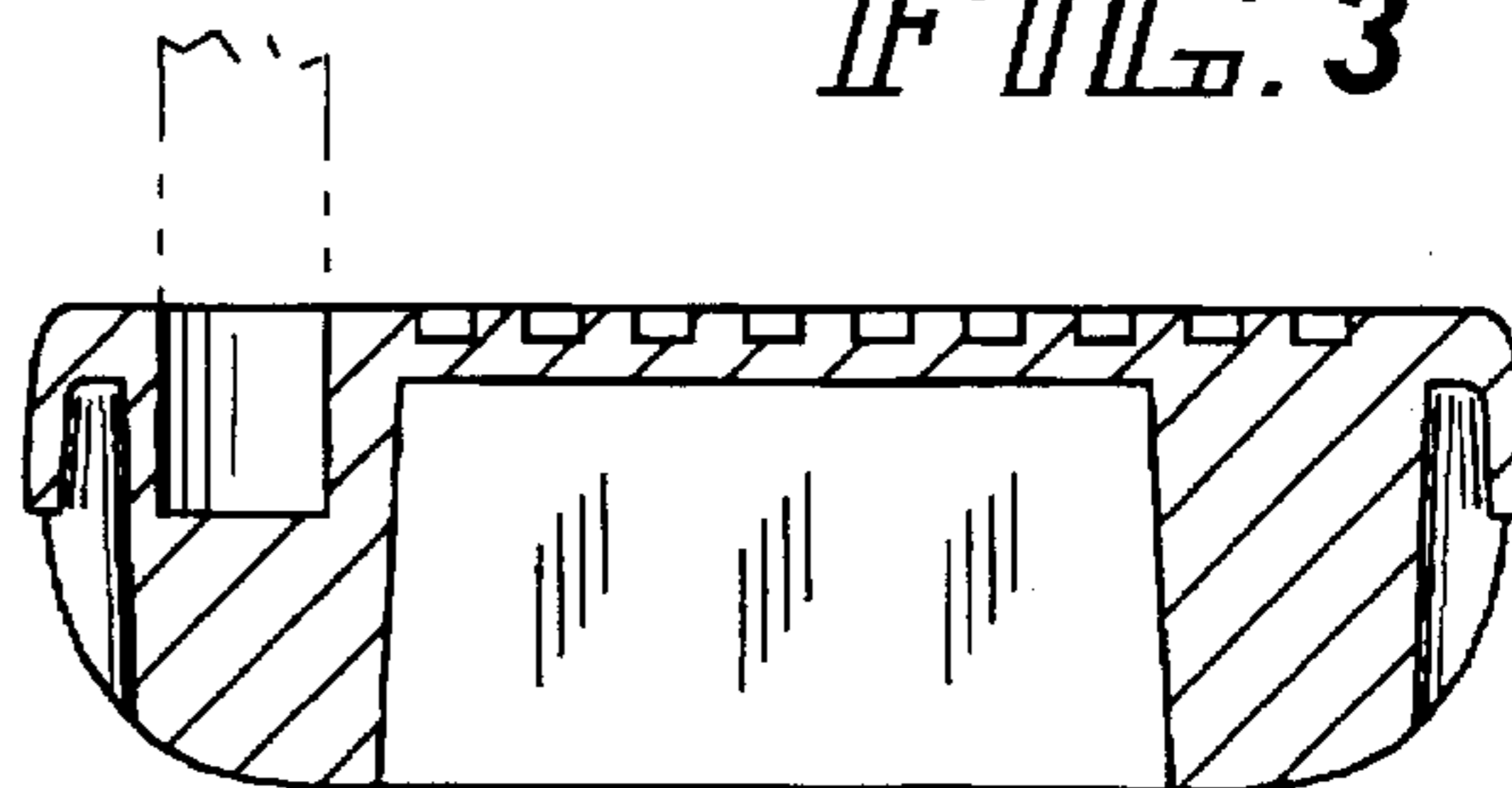
*FIG. 1*



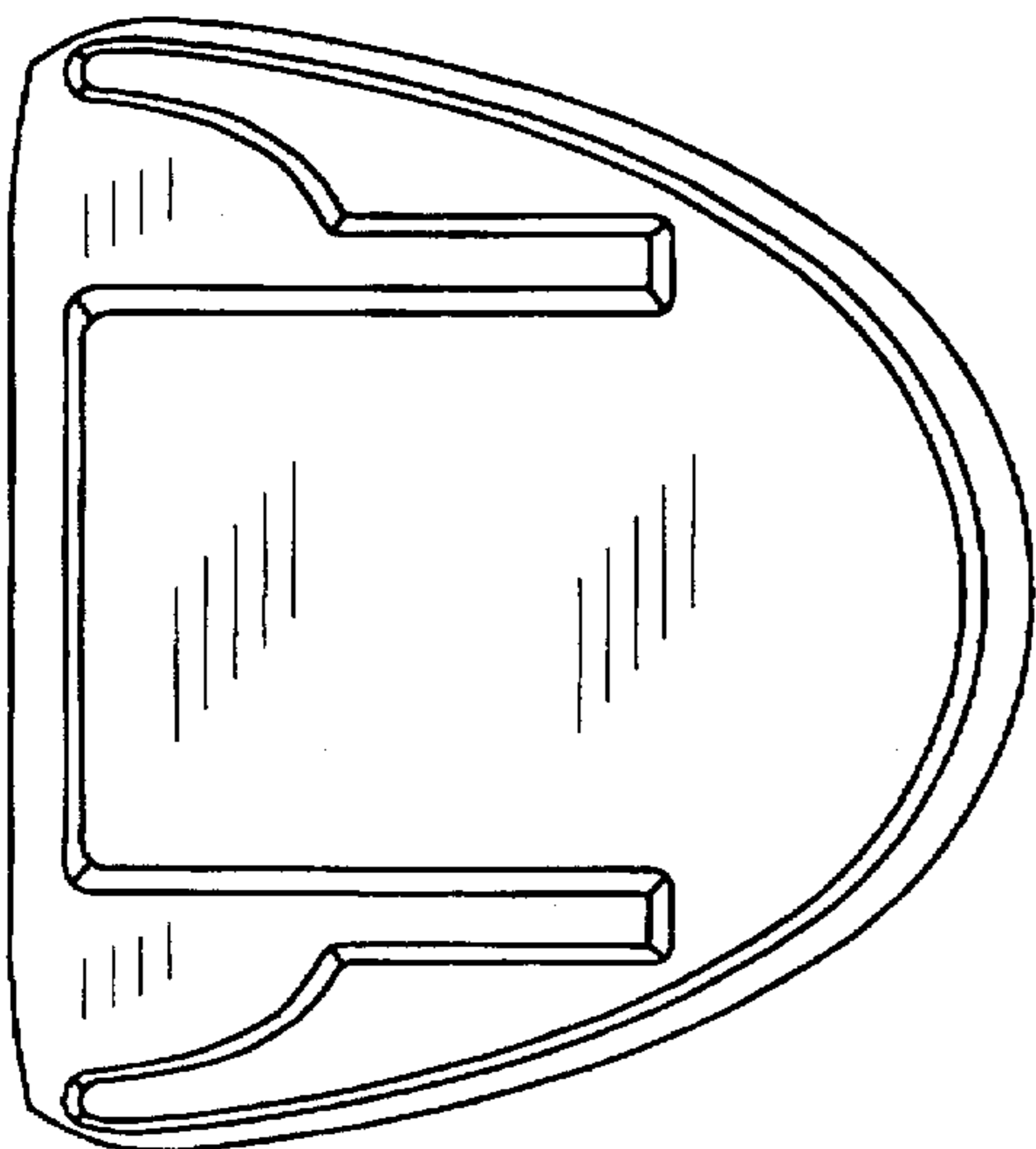
*FIG. 2*



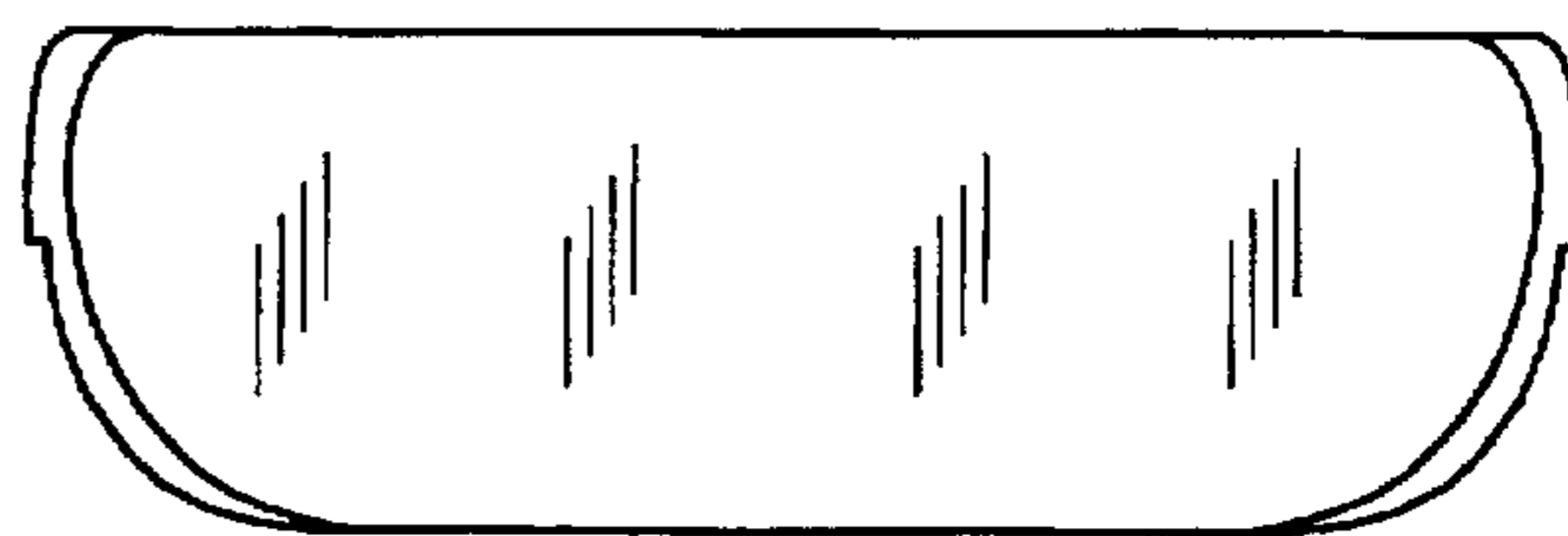
*FIG. 3*



*FIG. 6*



*FIG. 4*



*FIG. 5*

