



US00D393670S

United States Patent [19]

[11] **Patent Number: Des. 393,670**

Glickman et al.

[45] **Date of Patent: **Apr. 21, 1998**

[54] **HEAD ASSEMBLY FOR ROBOTIC TOY FIGURE**

[75] Inventors: **Joel I. Glickman**, Huntingdon Valley; **Matthew Dickinson**, Hatfield; **Robert Gleim**, Royersford; **John Zimmer**, Lansdale, all of Pa.

[73] Assignee: **Connector Set Limited Partnership**, Hatfield, Pa.

[**] Term: **14 Years**

[21] Appl. No.: **64,498**

[22] Filed: **Jan. 3, 1997**

[51] **LOC (6) Cl.** **21-01**

[52] **U.S. Cl.** **D21/190**

[58] **Field of Search** **D2/741; D21/108, D21/150, 166, 171, 177, 180; 446/97-100, 268, 269, 279, 284, 290-292, 376**

[56] **References Cited**

U.S. PATENT DOCUMENTS

D. 233,456	10/1974	Christiansen	D21/189
D. 265,331	7/1982	Lucas, Jr. et al.	D21/150
D. 266,780	11/1982	Mollo	D21/171
D. 290,484	6/1987	Yoke	.	
D. 308,553	6/1990	Canavesi	.	
D. 345,401	3/1994	Kennedy et al.	.	
D. 349,313	8/1994	Delaney et al.	.	
D. 371,174	6/1996	Tsai	.	
1,746,839	2/1930	Main et al.	.	
1,868,049	7/1932	Deichmann	.	
2,662,335	12/1953	Calverly	.	
4,217,724	8/1980	Schoenfield et al.	446/97
4,274,224	6/1981	Pugh et al.	.	
4,606,618	8/1986	Geller	.	
4,680,019	7/1987	Baerenwald et al.	.	
4,790,789	12/1988	Mathis	.	
4,968,282	11/1990	Robson et al.	.	
4,988,324	1/1991	Ryaa et al.	.	
5,044,960	9/1991	De Porteous	.	
5,350,331	9/1994	Glickman	.	
5,456,625	10/1995	Dumond	.	

OTHER PUBLICATIONS

Popular Science, p. 98, Androbot's B.O.B. (located in ex. Morris office), May 1983.

Toy Biz, p. 12, Item No. 49320, X-Man (located in ex. Morris office), 1995.

Primary Examiner—Ted Shooman

Assistant Examiner—Nanda Bondage

Attorney, Agent, or Firm—Schweitzer Cornman Gross & Bondell LLP

[57] **CLAIM**

The ornamental design for a head assembly for robotic toy figure, as shown and described.

DESCRIPTION

FIG. 1 is a perspective view of a first configuration of a head assembly for a robotic toy figure showing our new design; FIG. 2 is a perspective view of a second configuration thereof;

FIG. 3 is a perspective view of a third configuration thereof; FIG. 4 is a perspective view of a fourth configuration thereof;

FIG. 5 is a perspective view of a fifth configuration thereof; FIG. 6 is a perspective view of a sixth configuration thereof; FIG. 7 is an enlarged, front elevational view of a first part of the head assembly of FIG. 3, here shown separately for clarity of illustration;

FIG. 8 is a side elevational view of FIG. 7;

FIG. 9 is a top plan view of FIG. 7;

FIG. 10 is a bottom plan view of FIG. 7;

FIG. 11 is an enlarged, top perspective view of FIG. 7;

FIG. 12 is an enlarged, bottom perspective view of FIG. 7; FIG. 13 is an enlarged, front elevational view of a second part of the head assembly shown in FIG. 3, here shown separately for clarity of illustration;

FIG. 14 is a side elevational view of FIG. 13;

FIG. 15 is a top plan view of FIG. 13;

FIG. 16 is a bottom plan view of FIG. 13;

FIG. 17 is an enlarged, top perspective view of FIG. 13;

FIG. 18 is an enlarged, bottom perspective view of FIG. 13;

FIG. 19 is an enlarged, front elevational view of a third part of the head assembly of FIG. 3, here shown separately for clarity of illustration;

FIG. 20 is a side elevational view of FIG. 19;

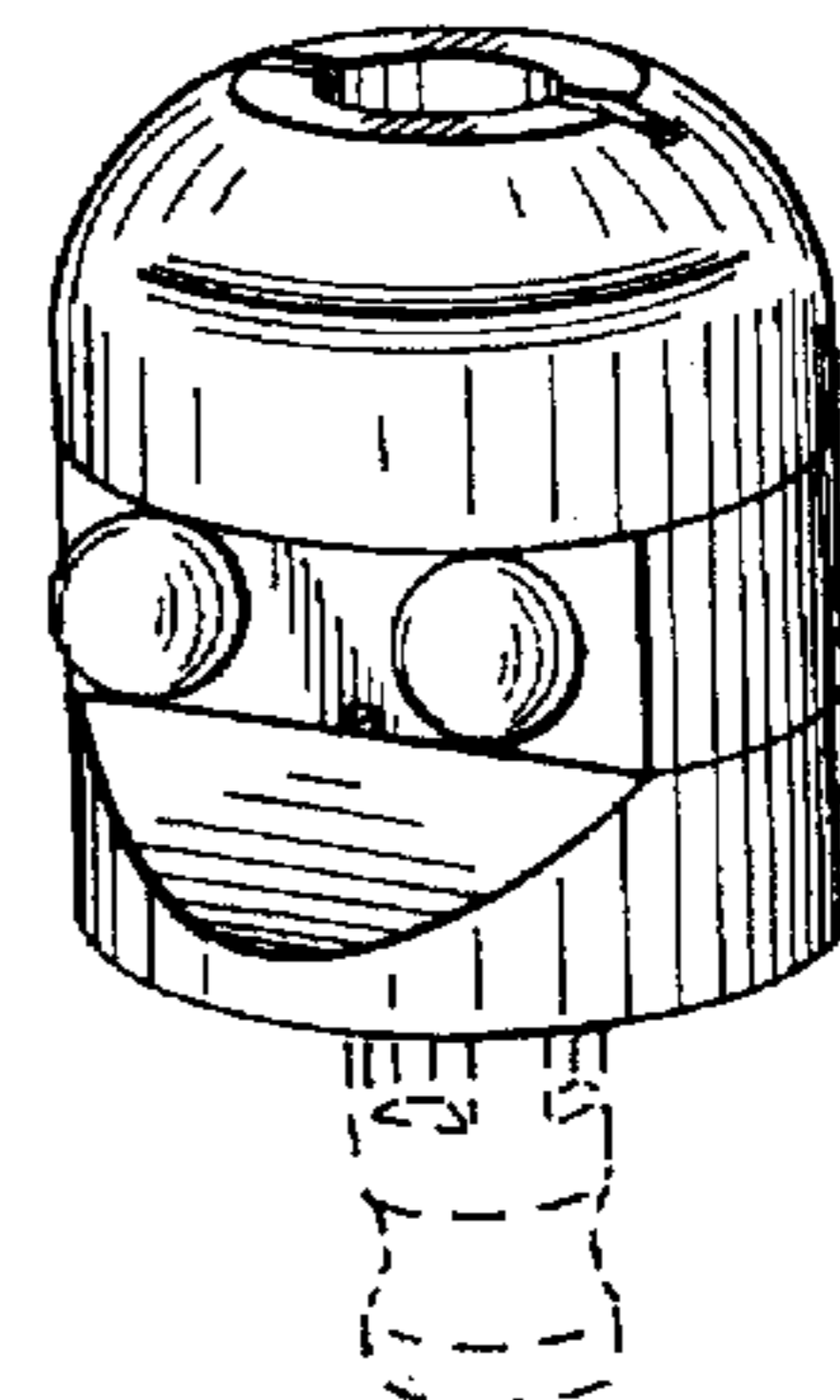
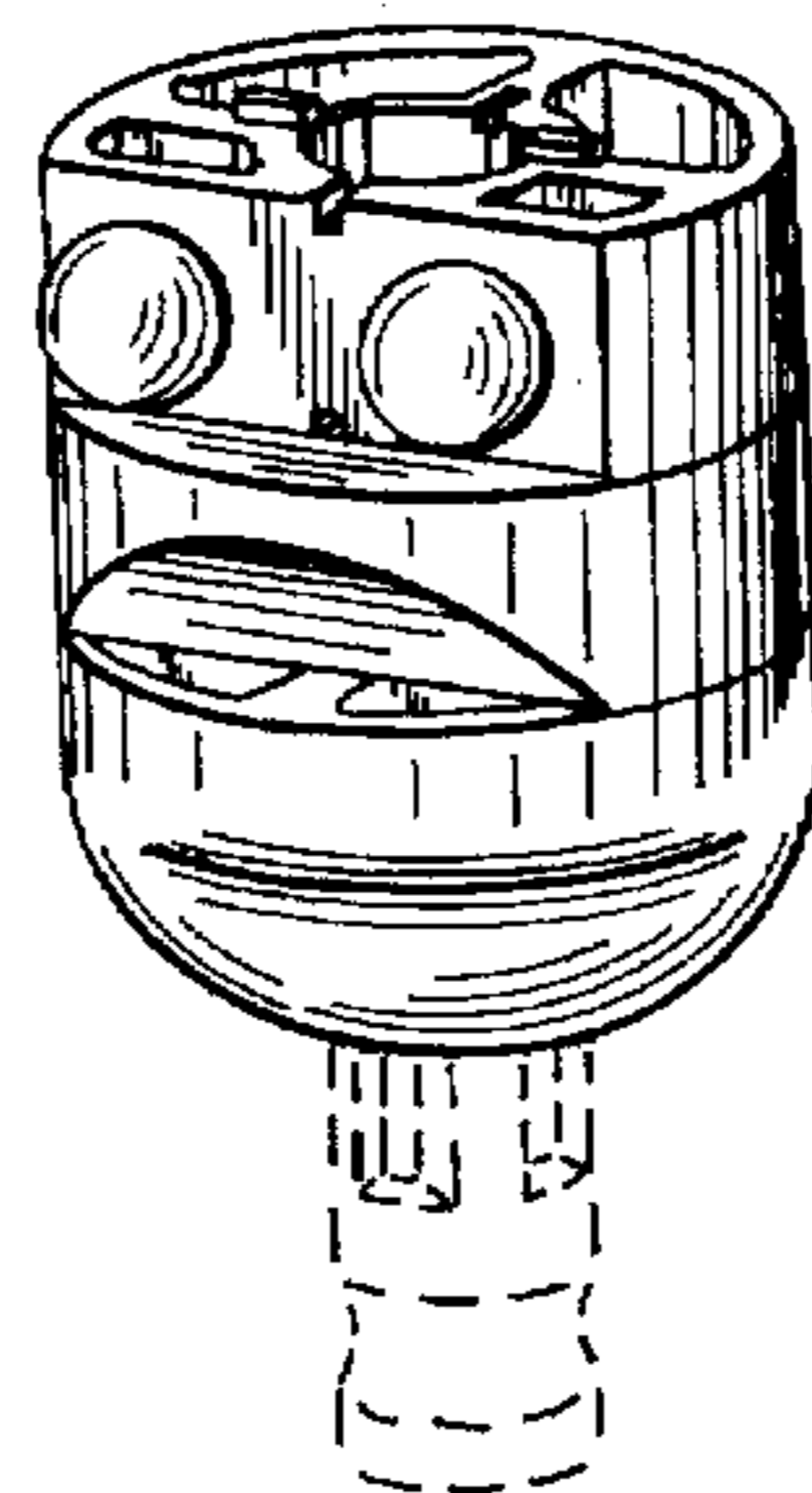
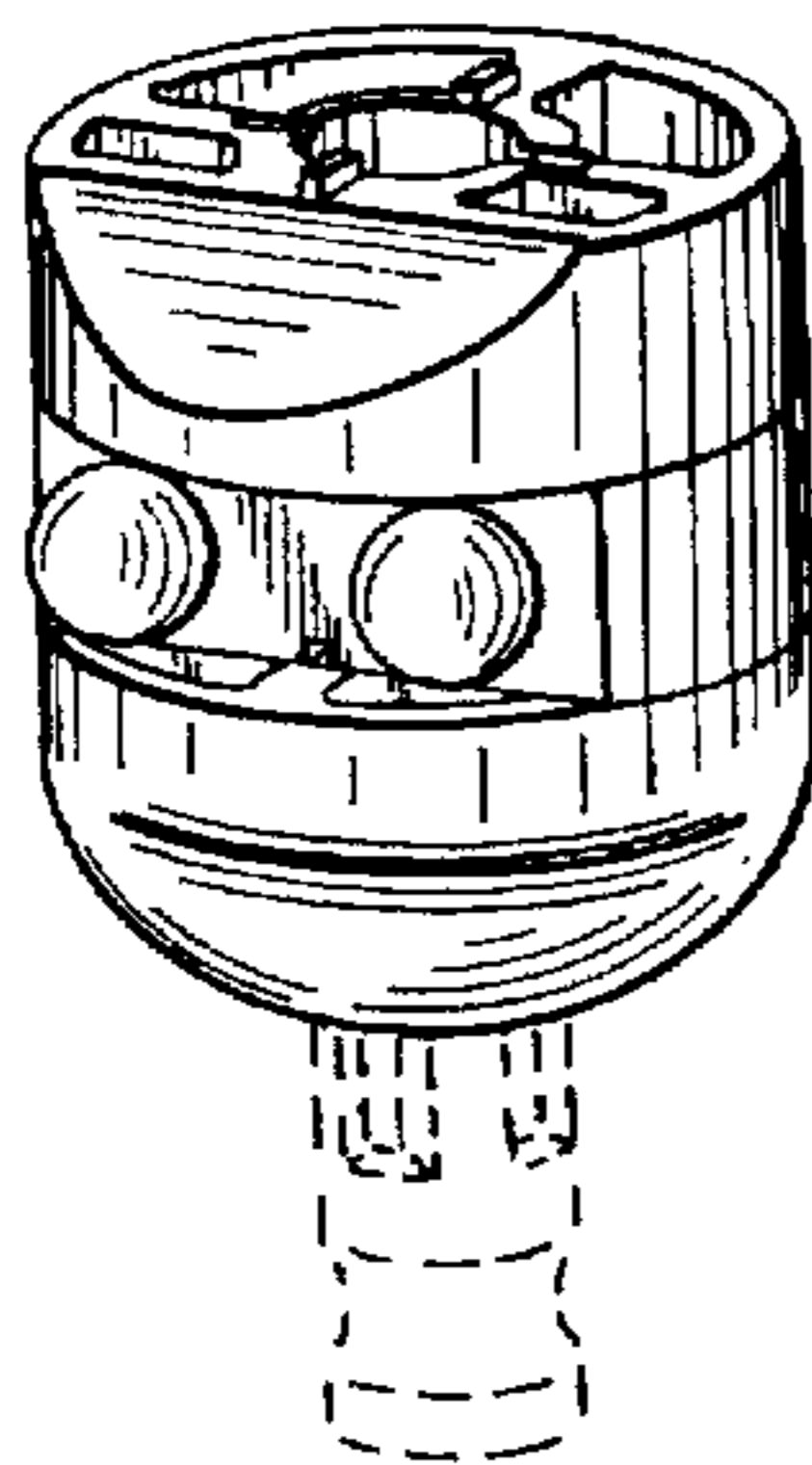


FIG. 21 is a top plan view of FIG. 19;
FIG. 22 is a bottom plan view of FIG. 19;
FIG. 23 is an enlarged, top perspective view of FIG. 19; and,
FIG. 24 is an enlarged, bottom perspective view of FIG. 19.

The broken line showing the rod extending from the head assembly on FIGS. 1-6 is for illustrative purposes only and forms no part of the claimed design.

1 Claim, 8 Drawing Sheets

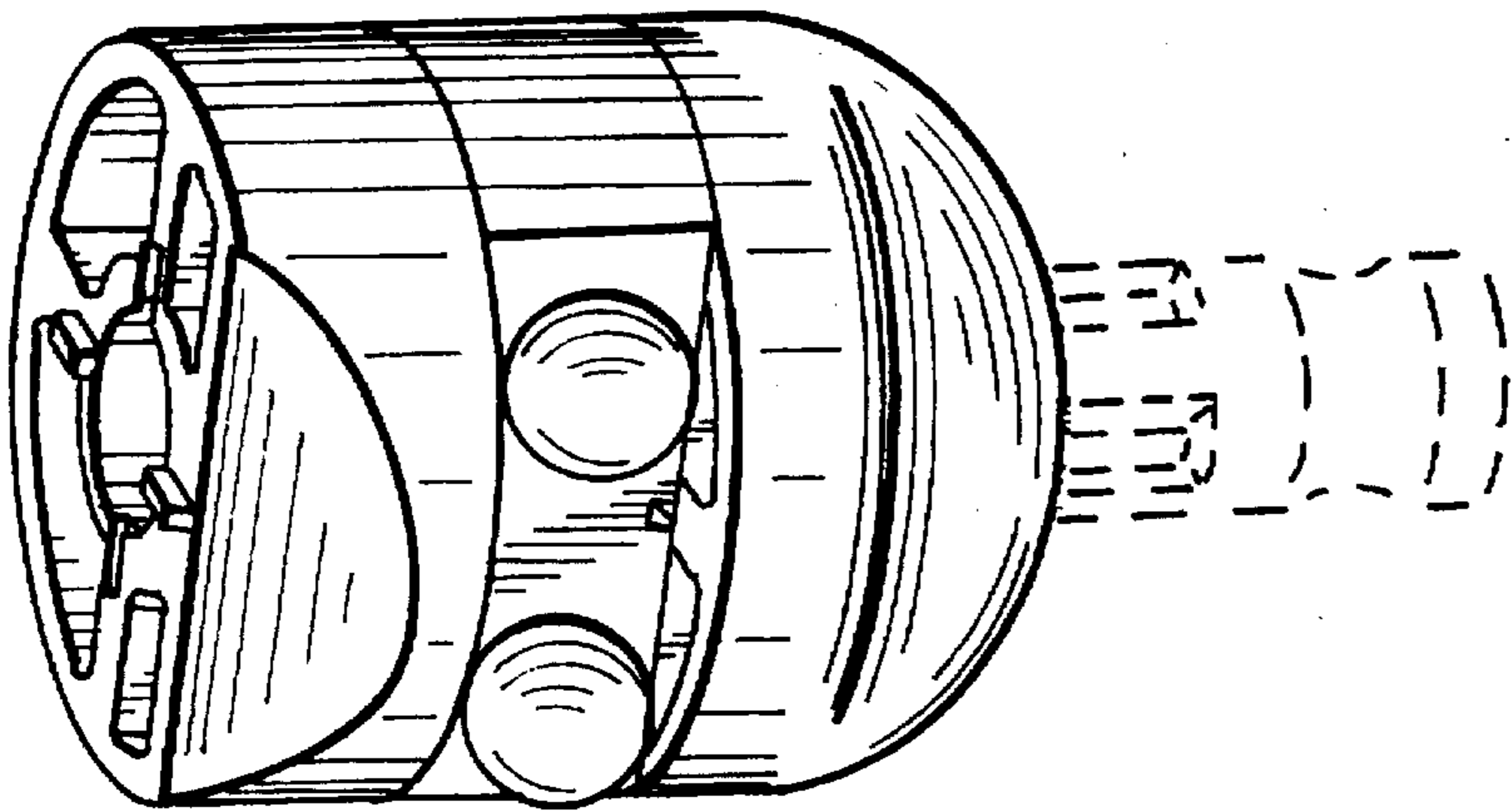


FIG. 1

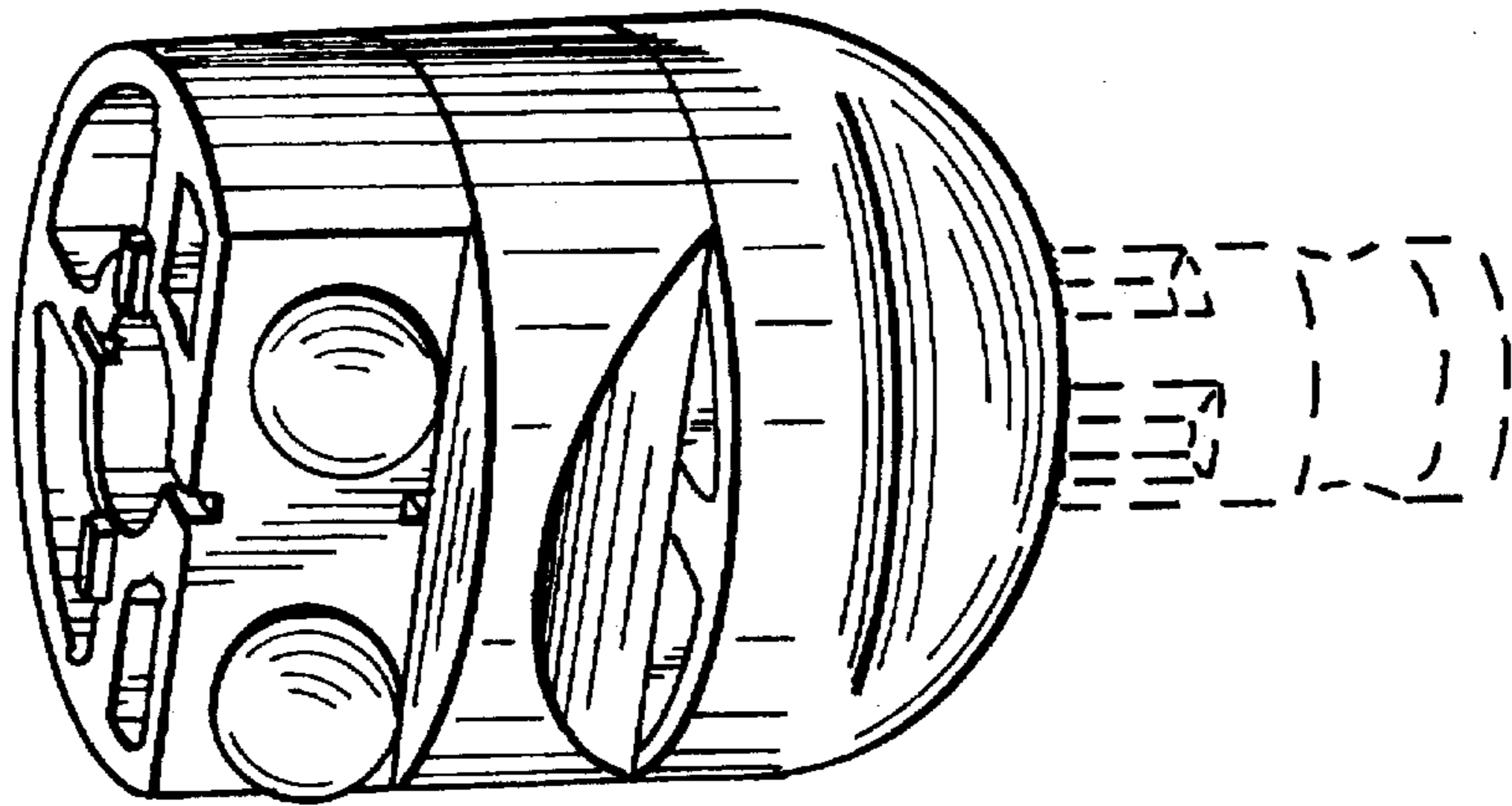


FIG. 2

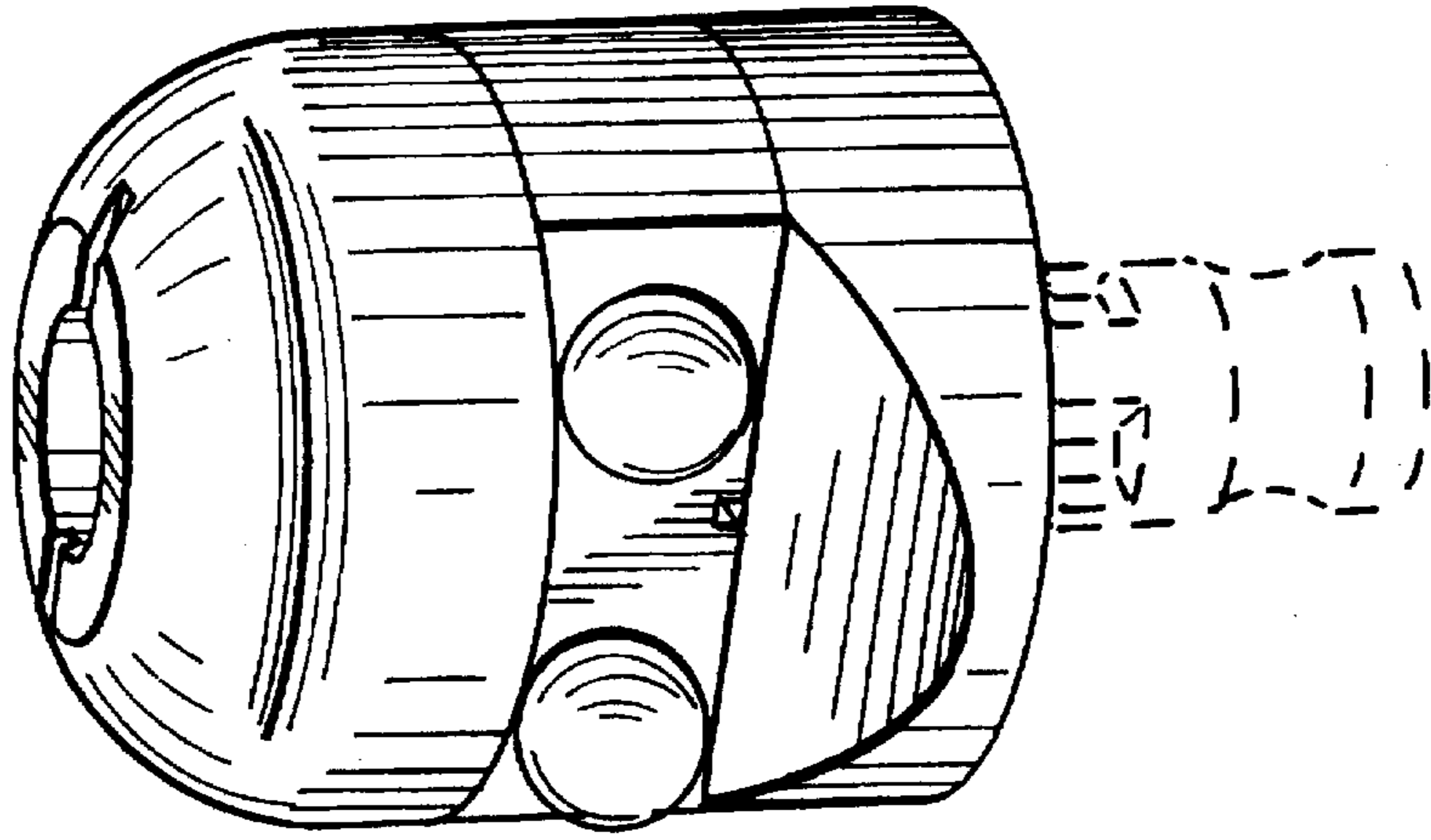


FIG. 3

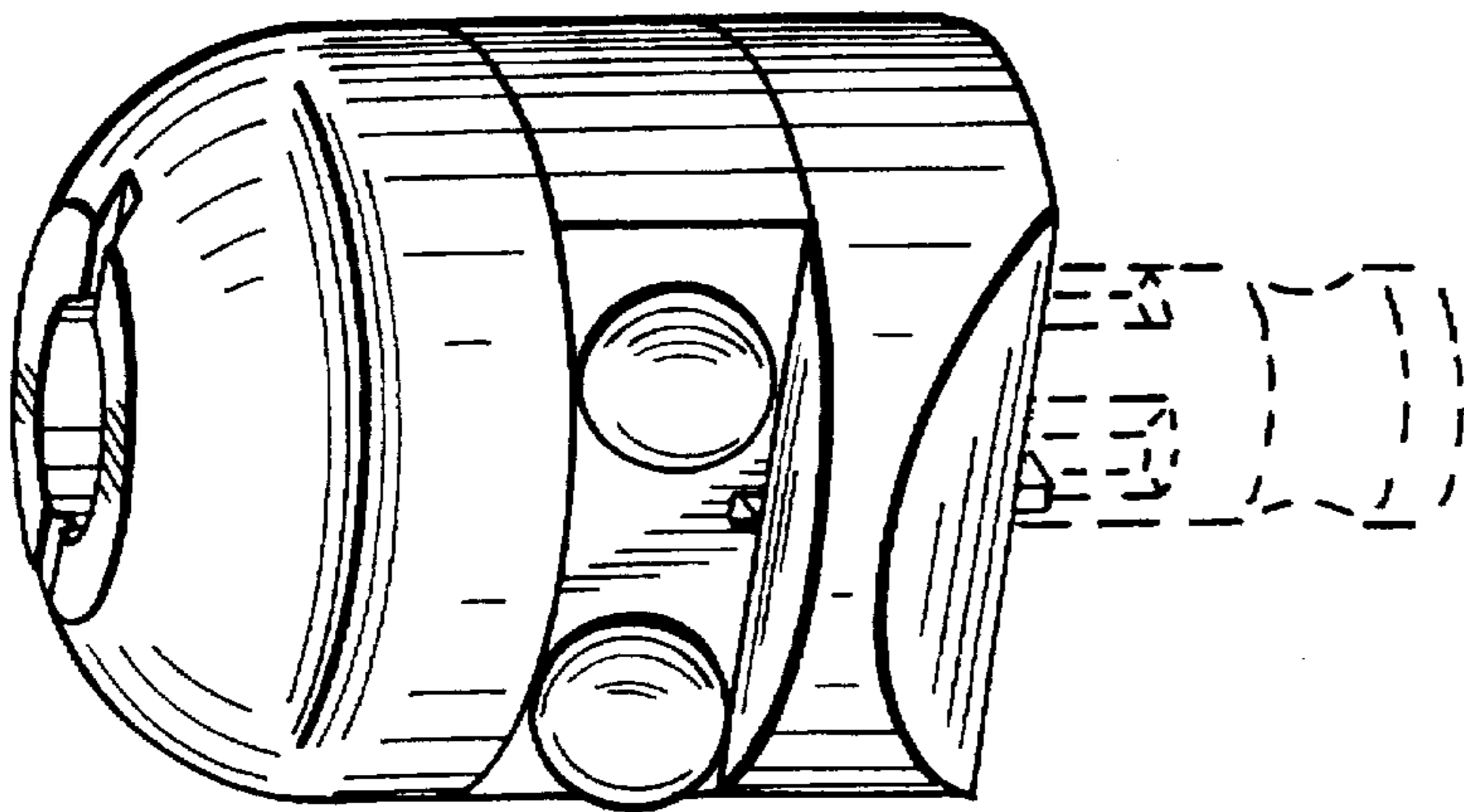


FIG. 4

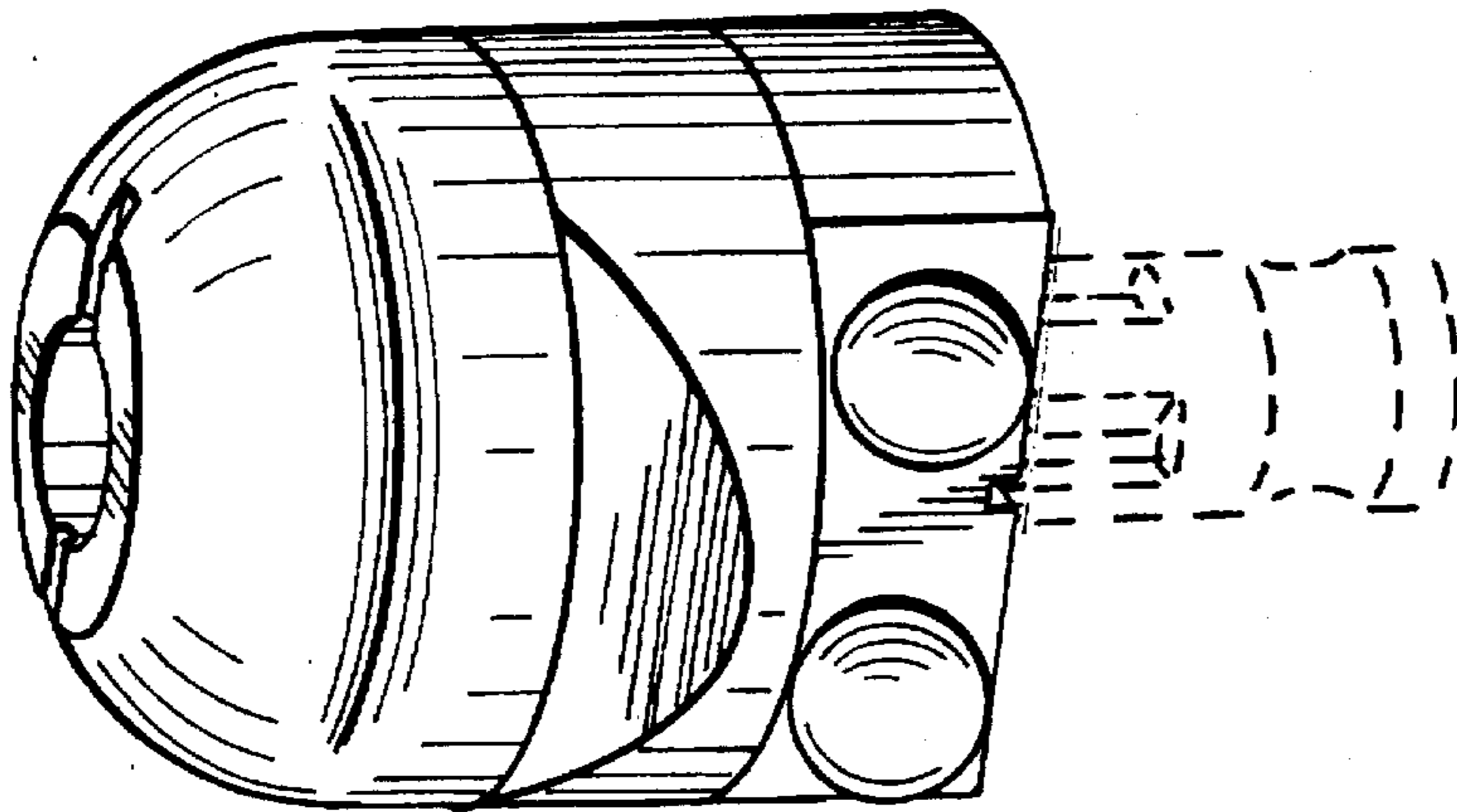


FIG. 5

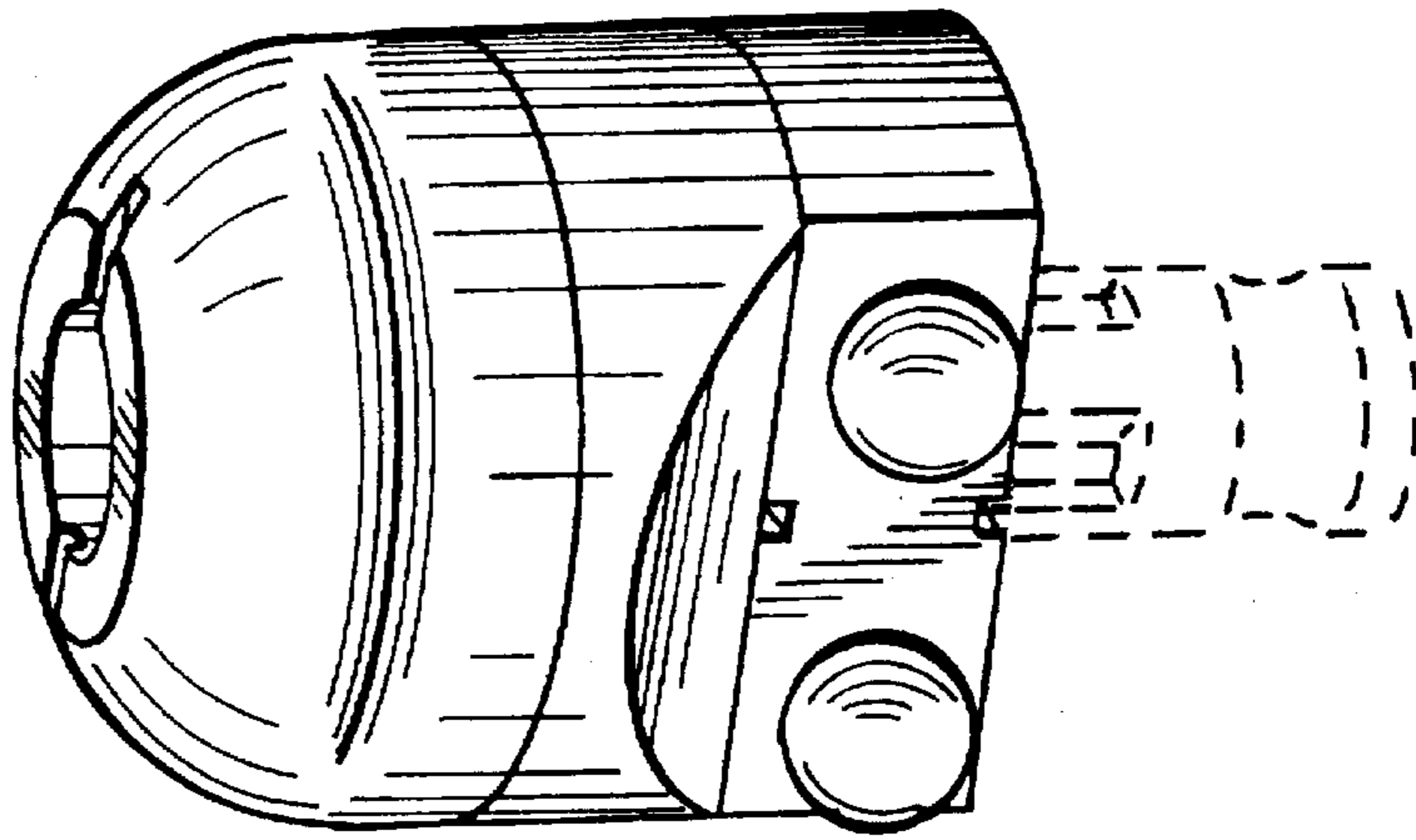


FIG. 6

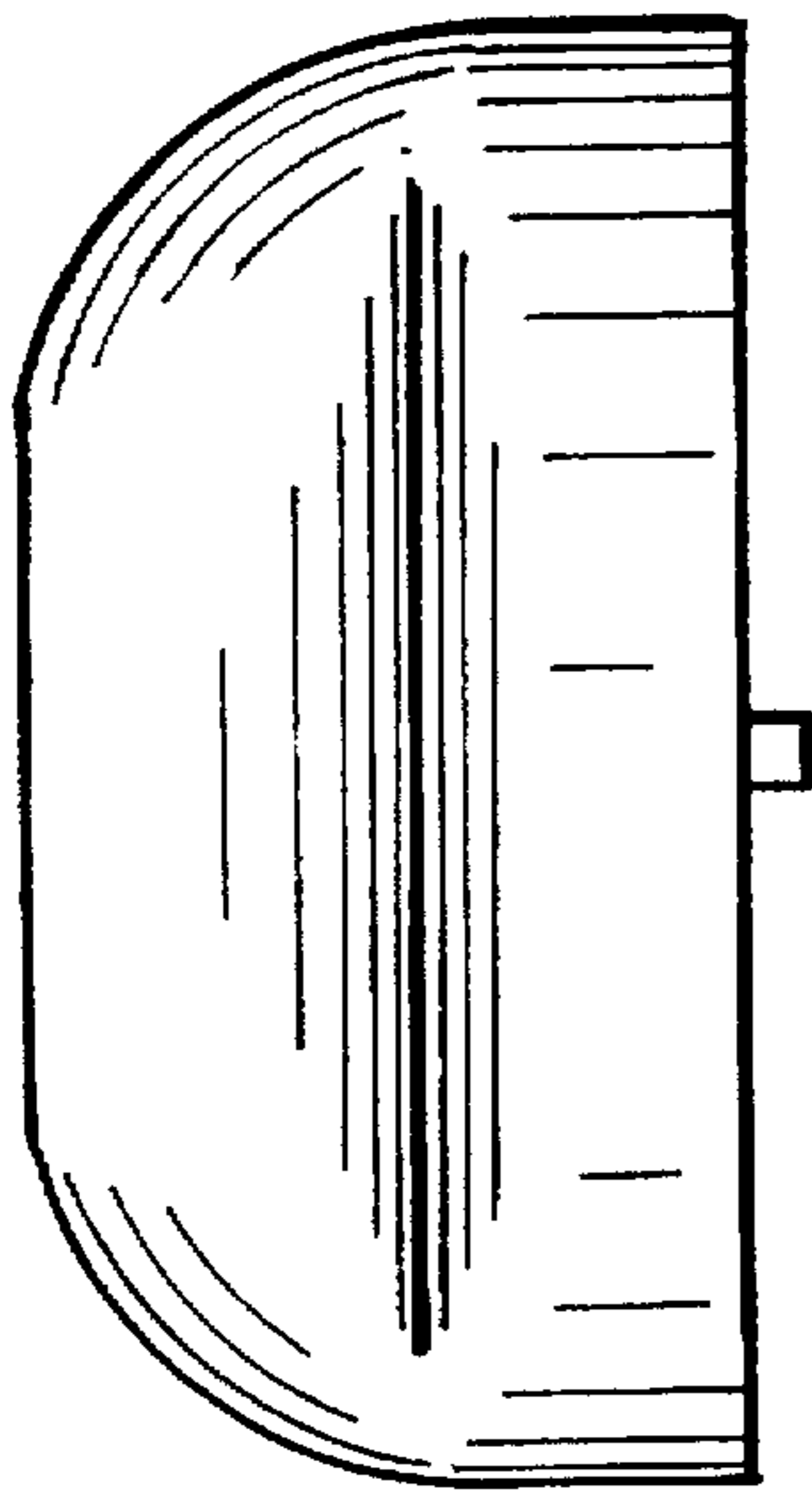


FIG. 7

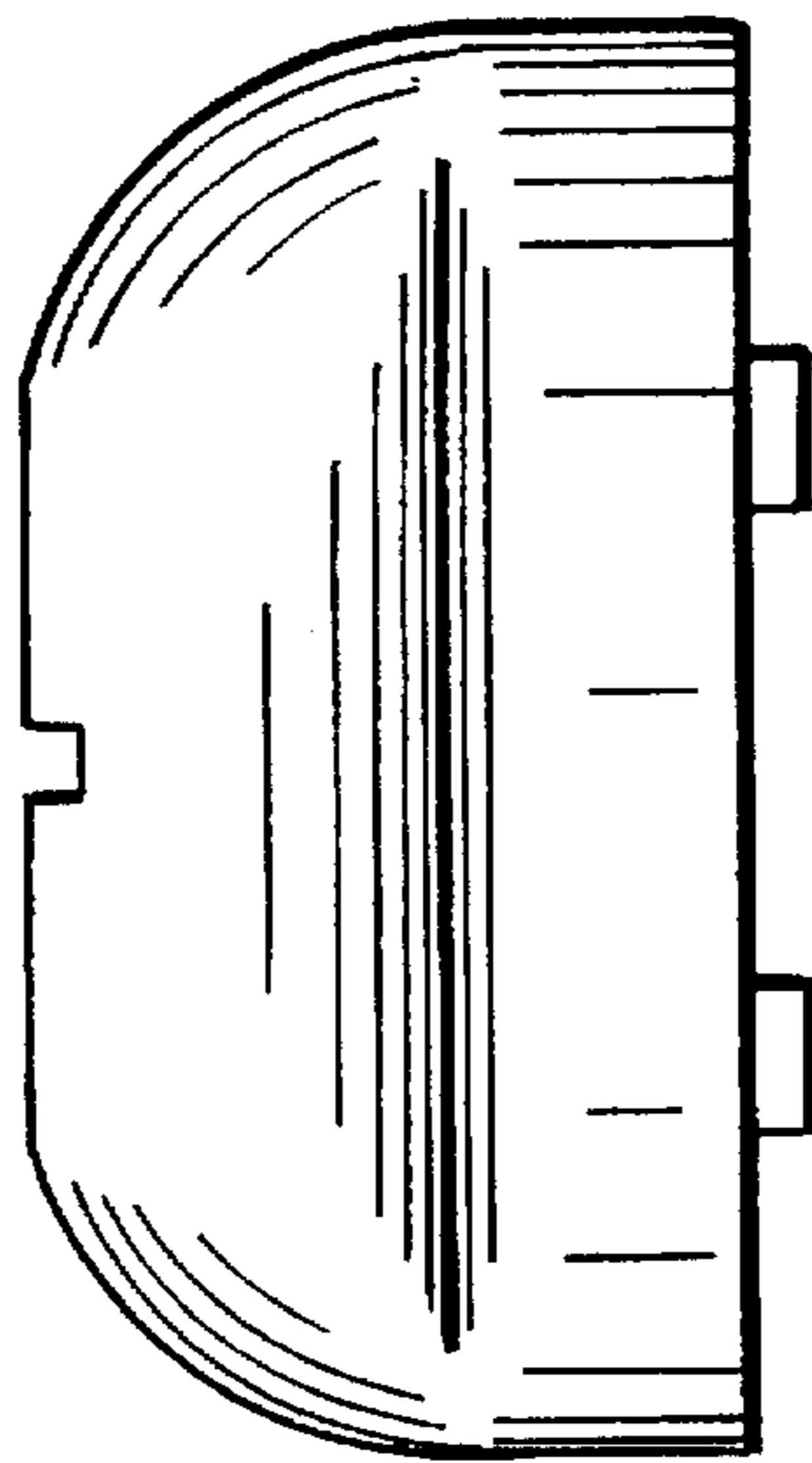


FIG. 8

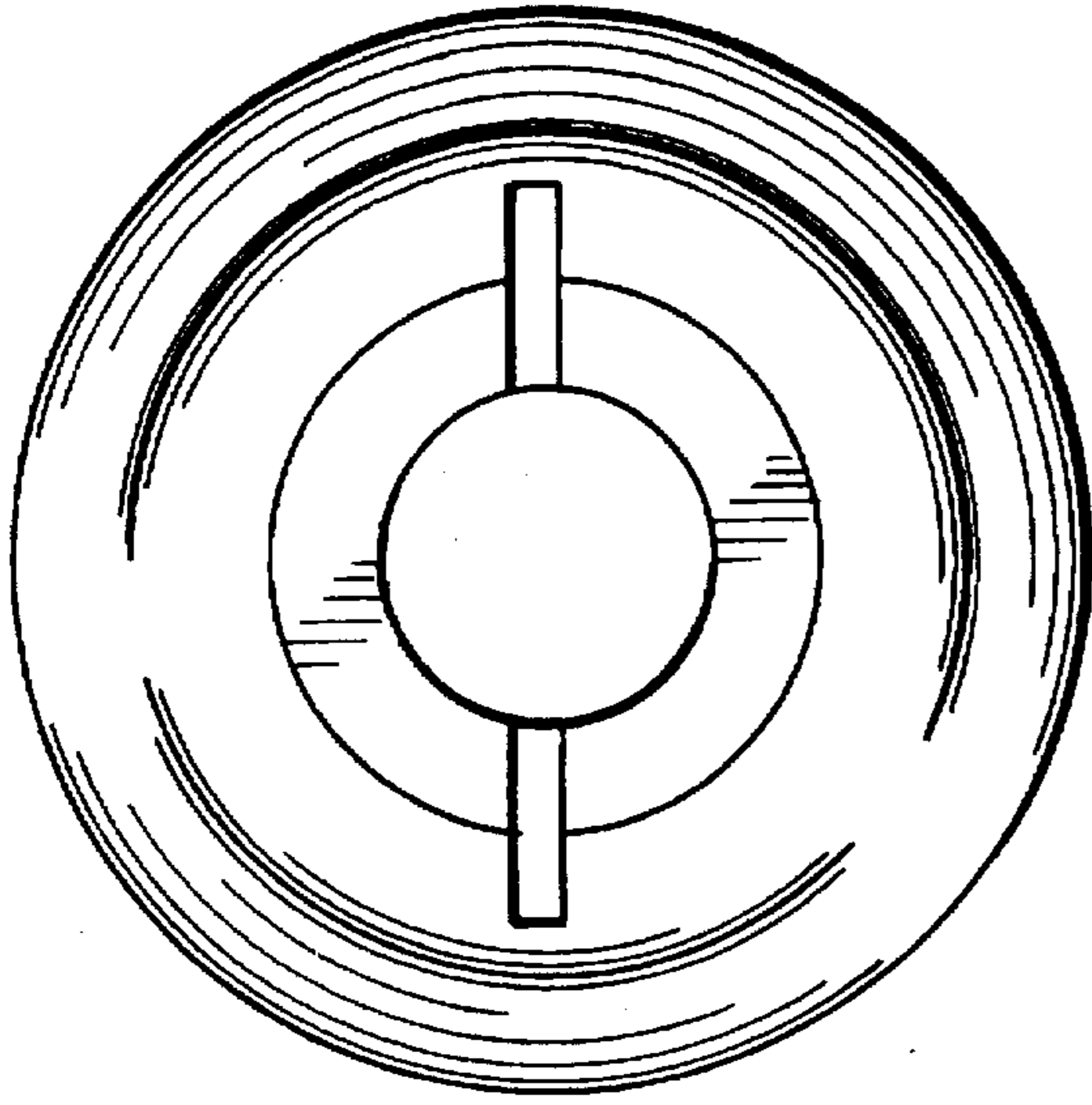


FIG. 9

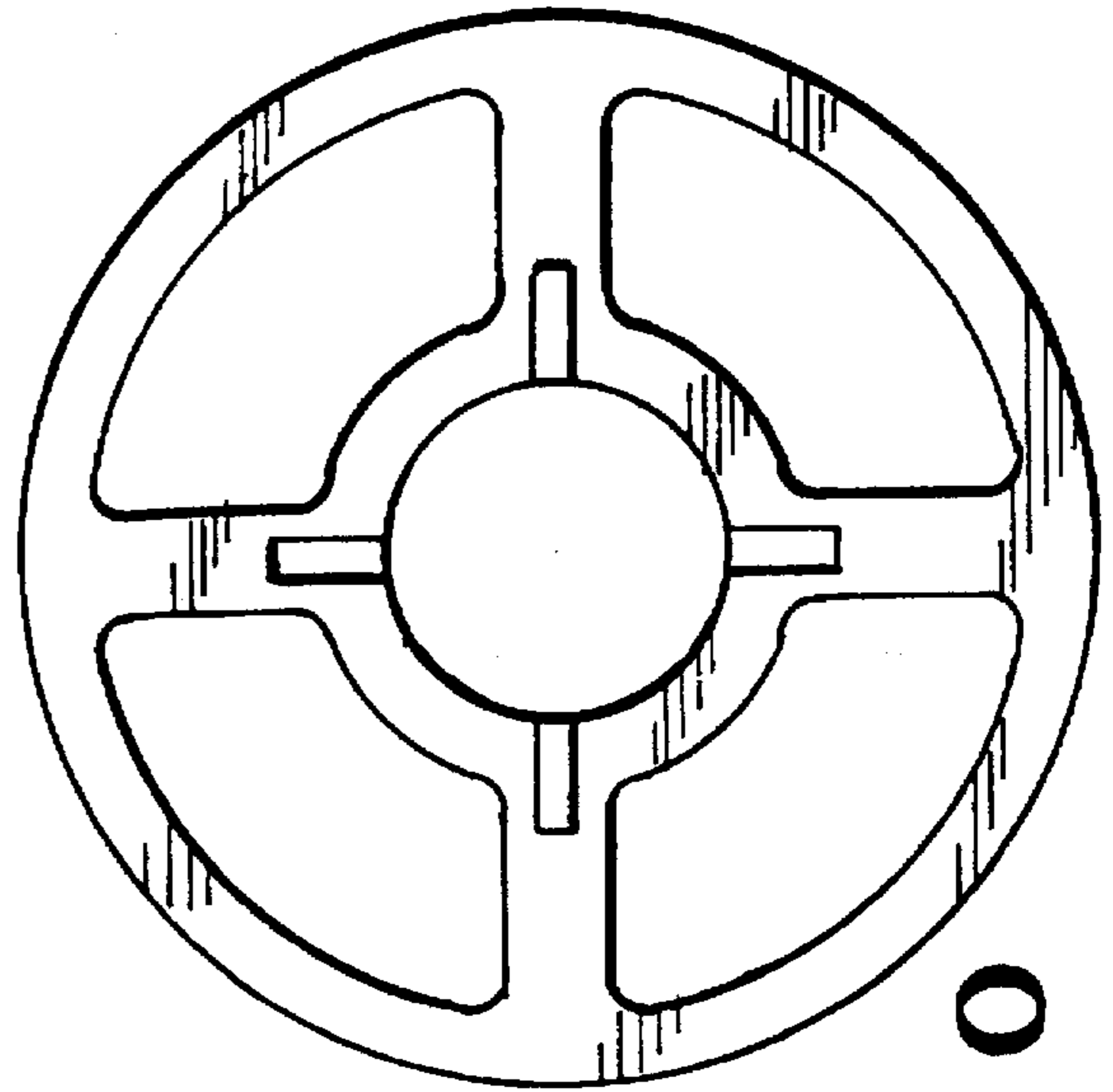


FIG. 10

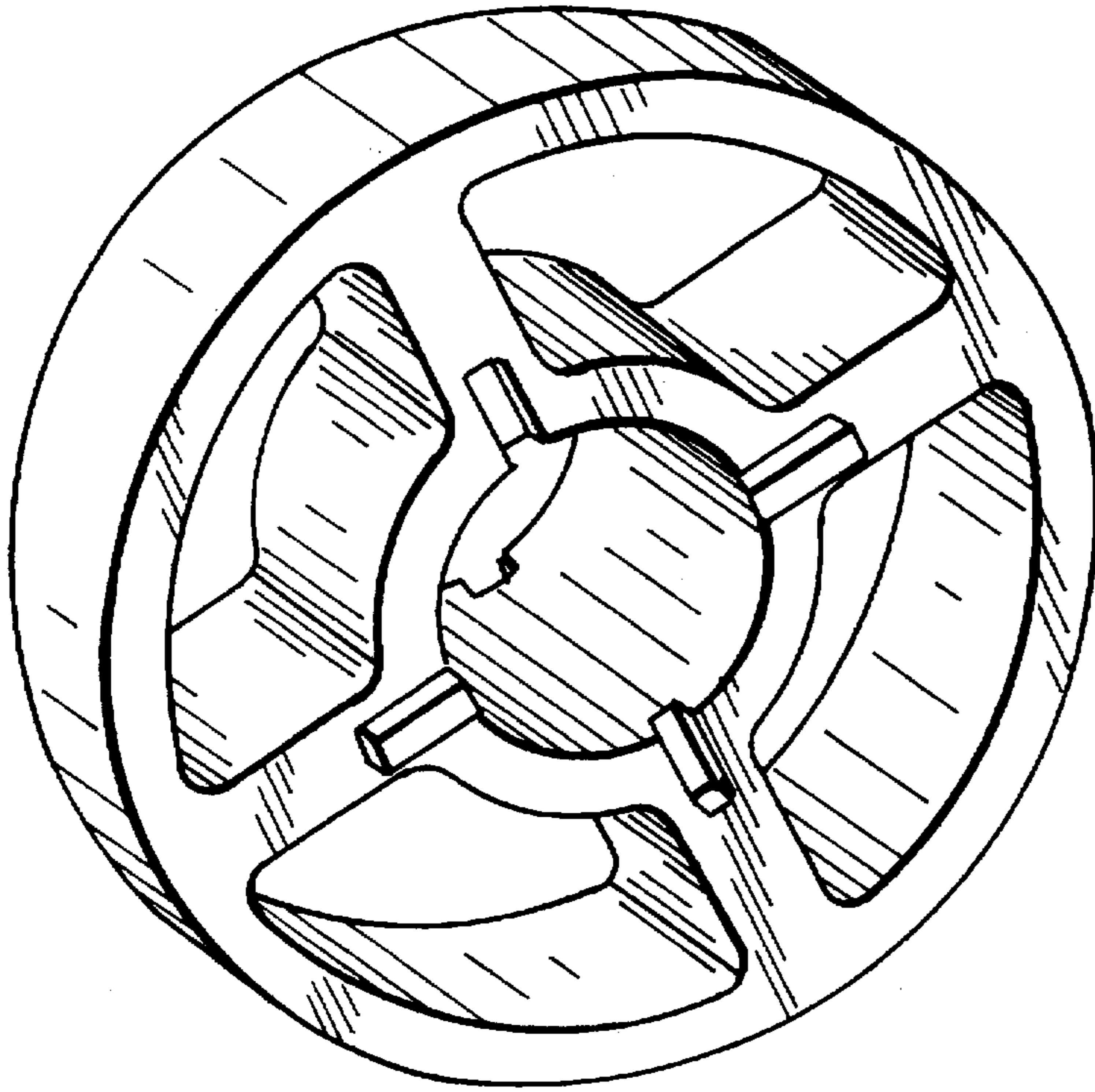


FIG. 11

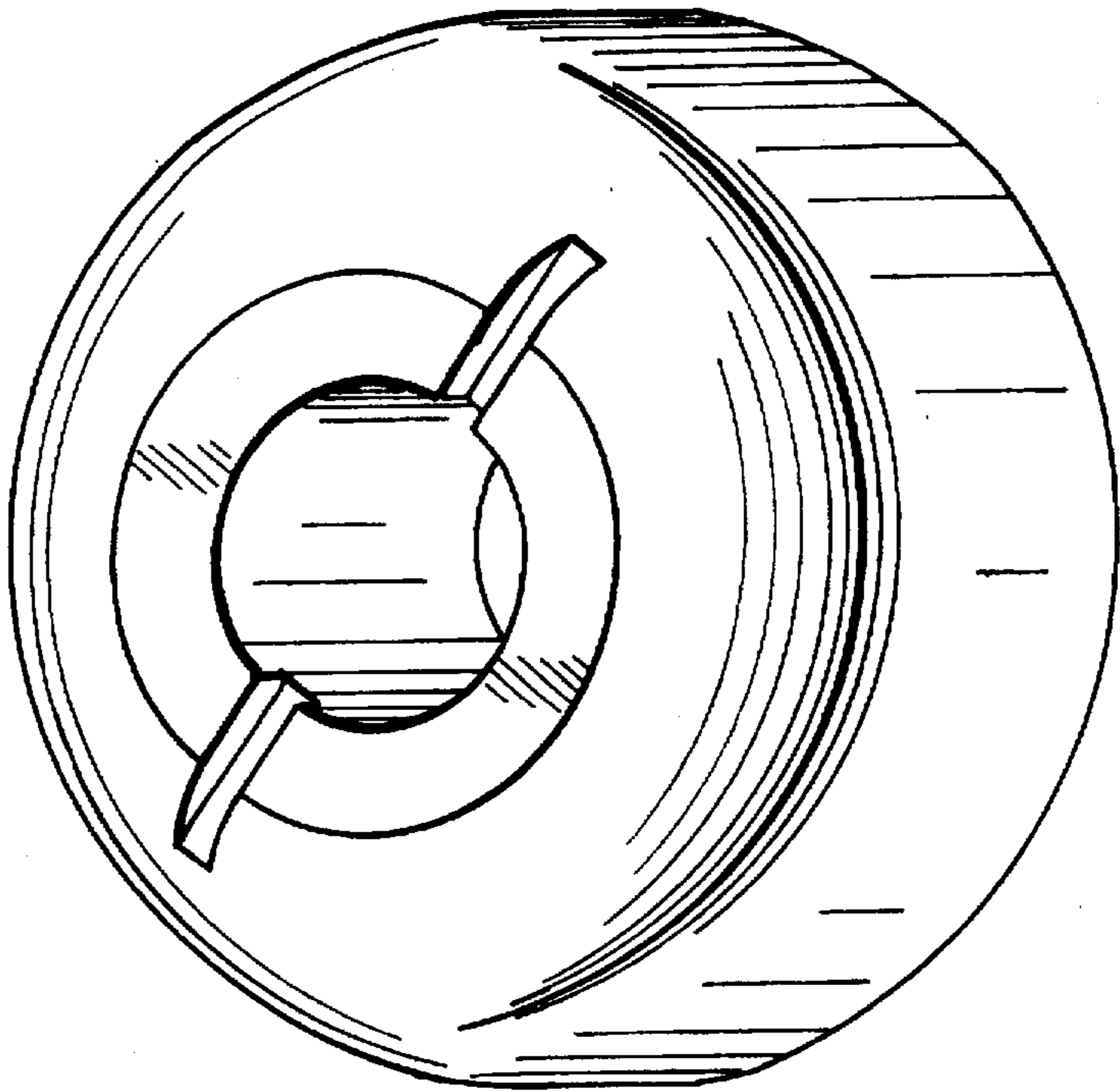


FIG. 12

FIG. 15

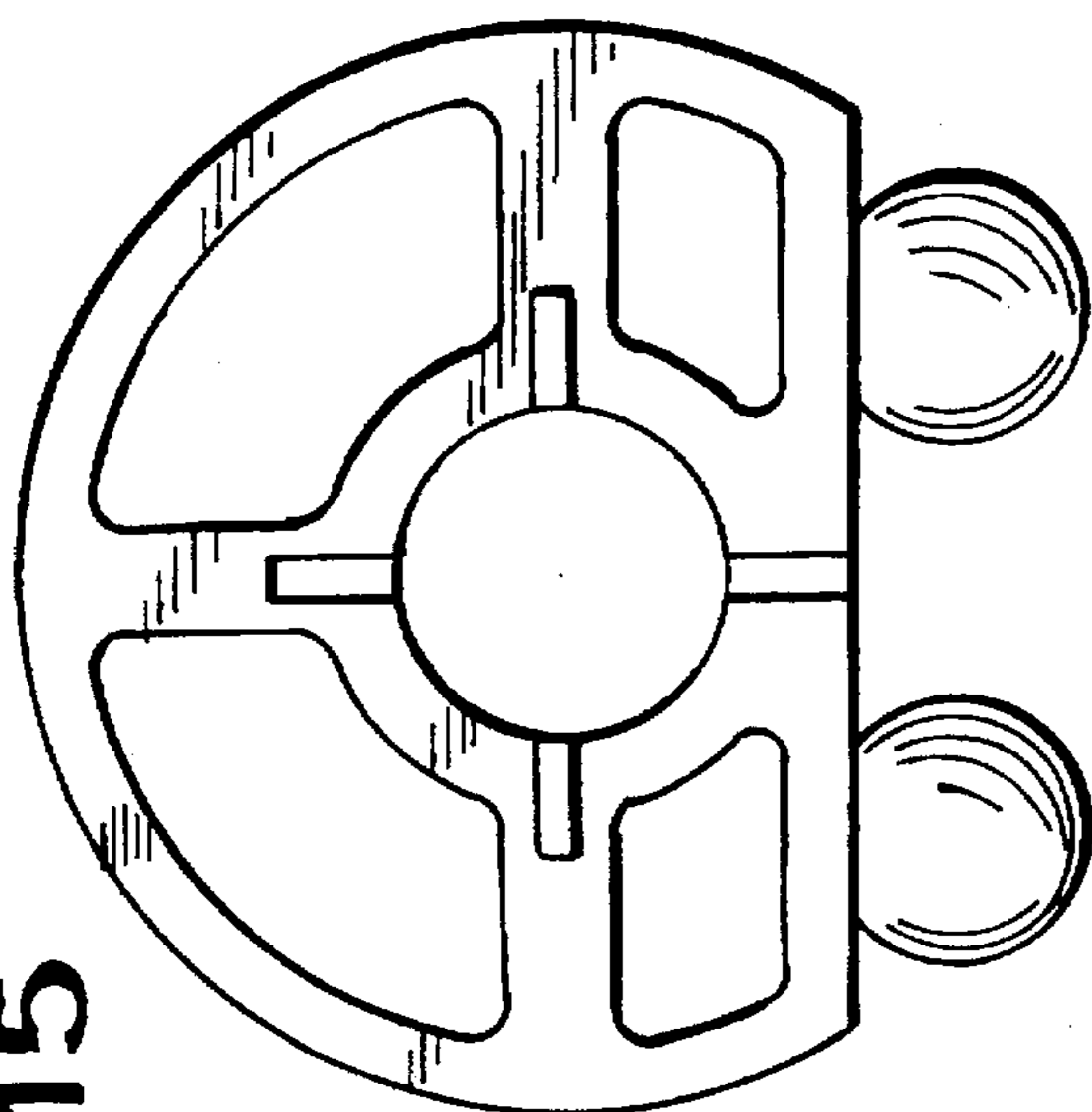


FIG. 13

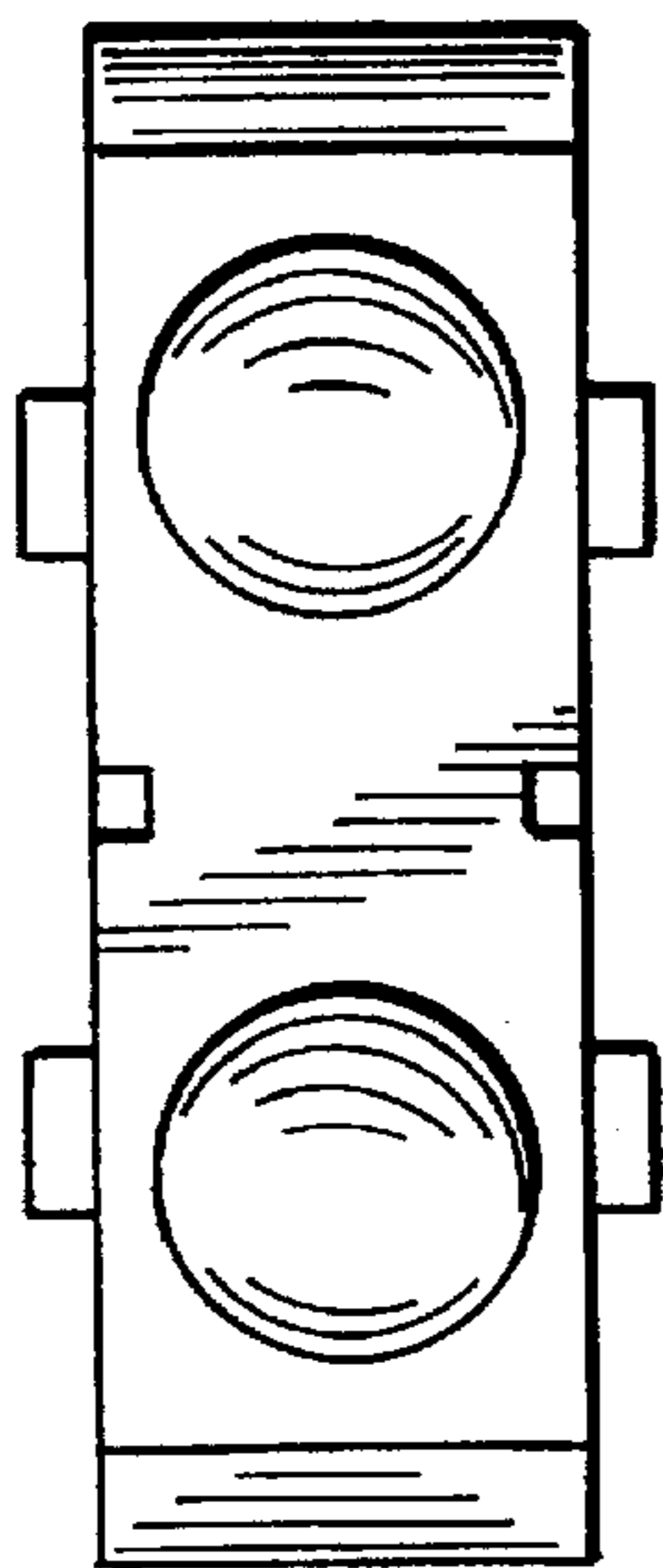


FIG. 14

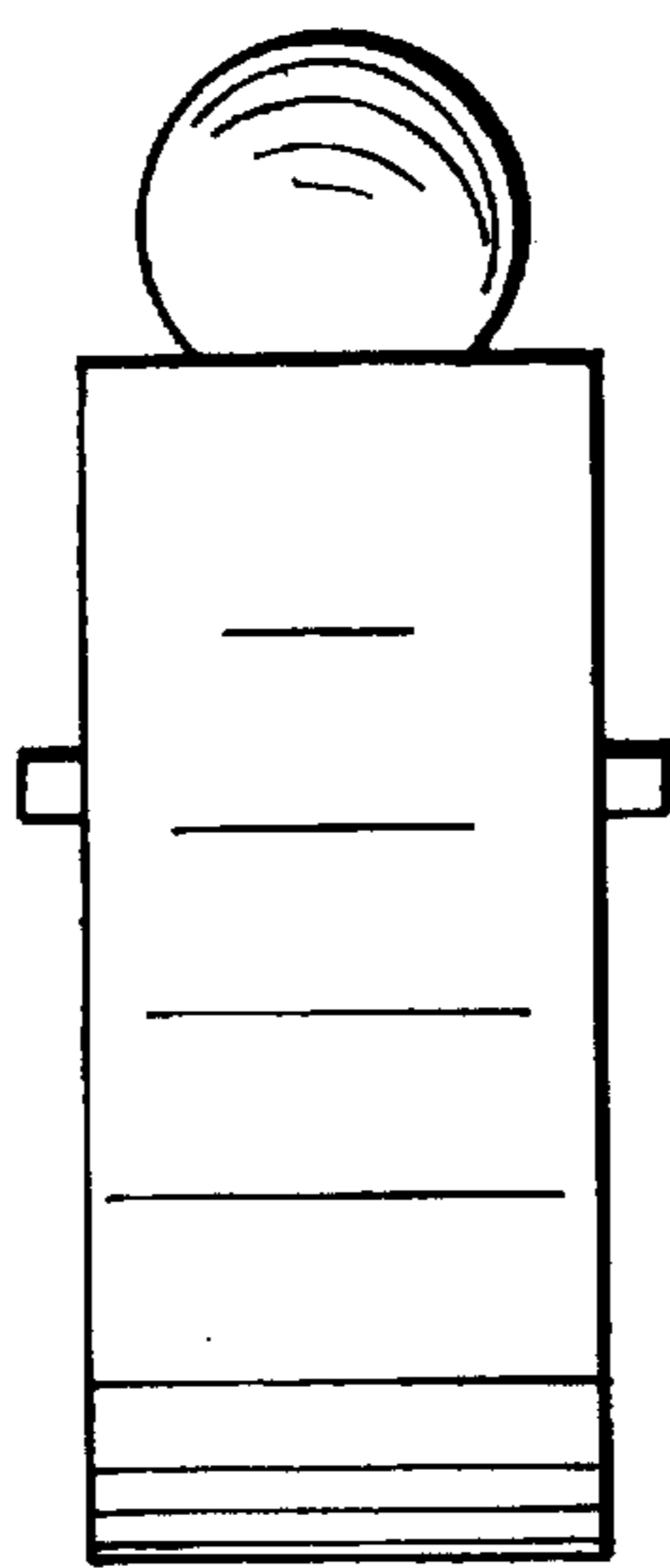
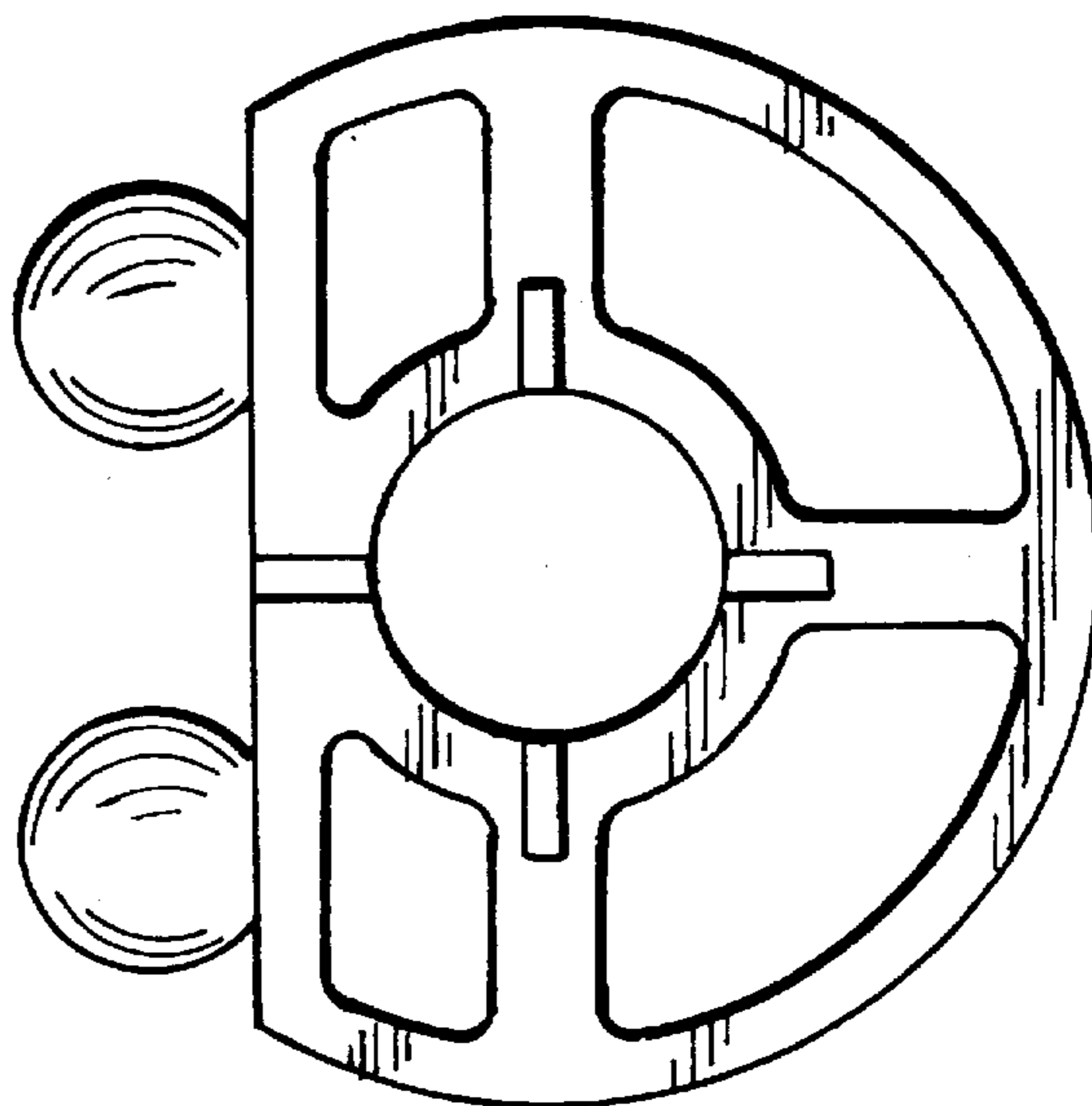


FIG. 16



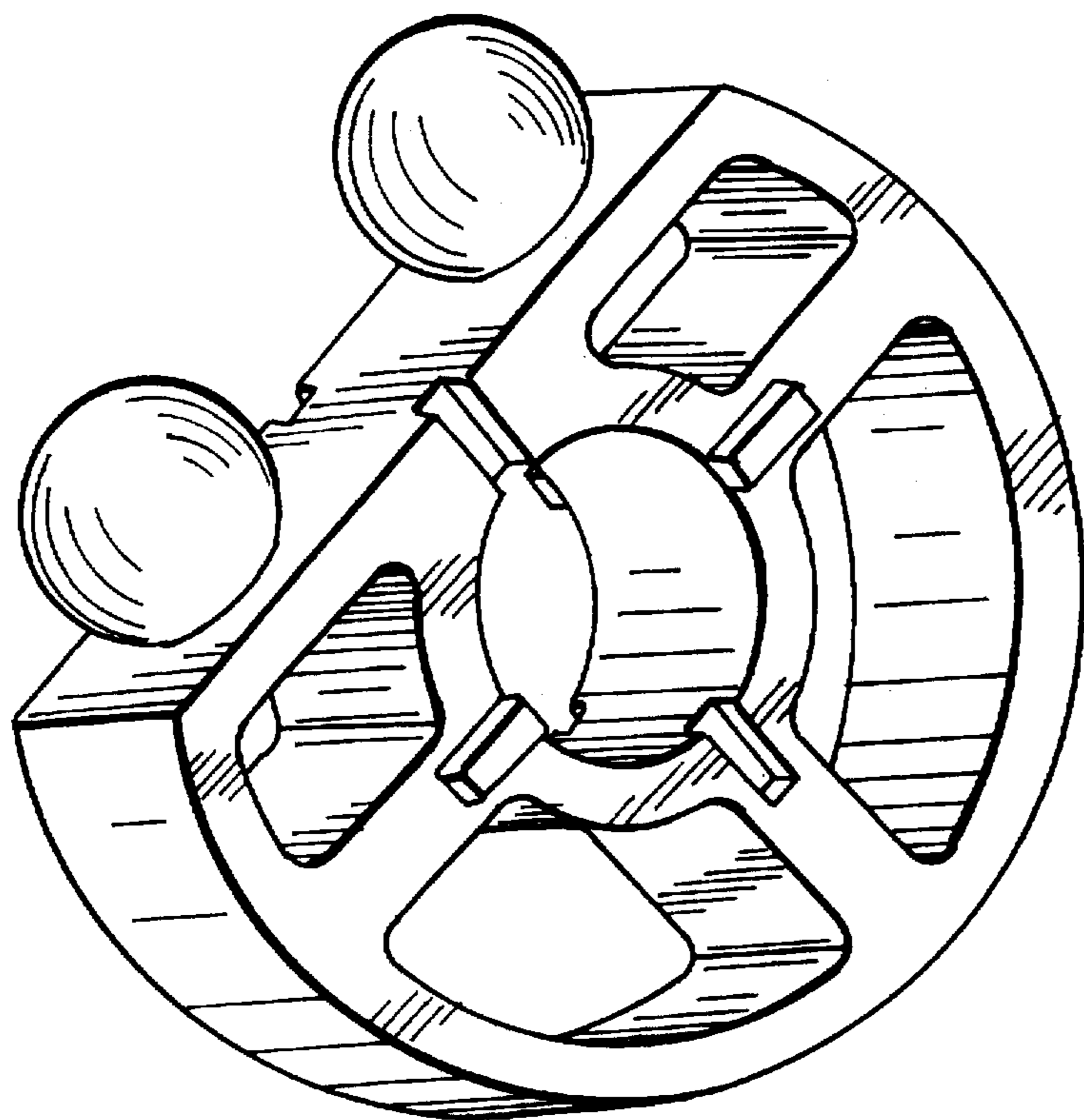


FIG. 17

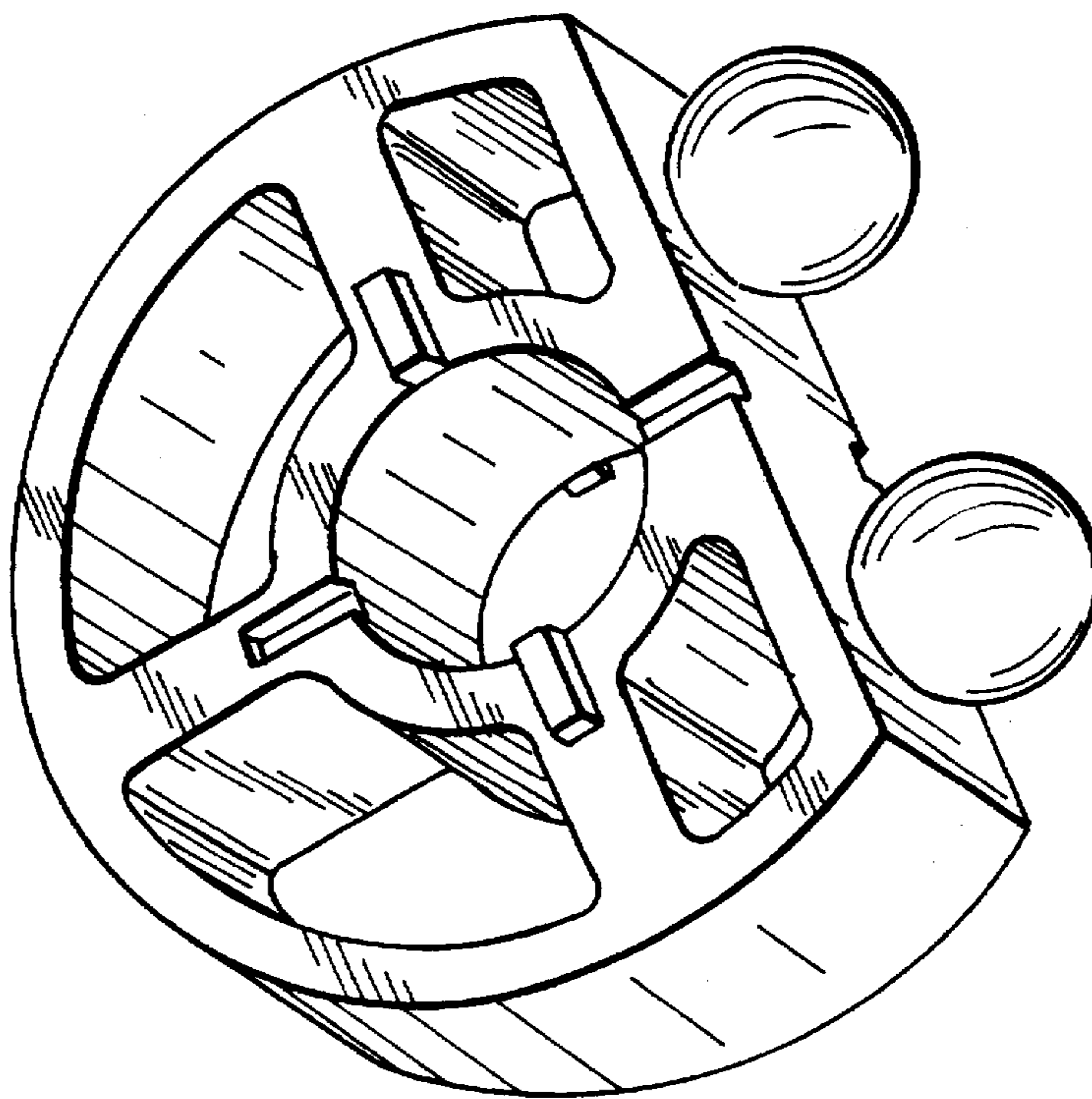


FIG. 18

FIG. 21

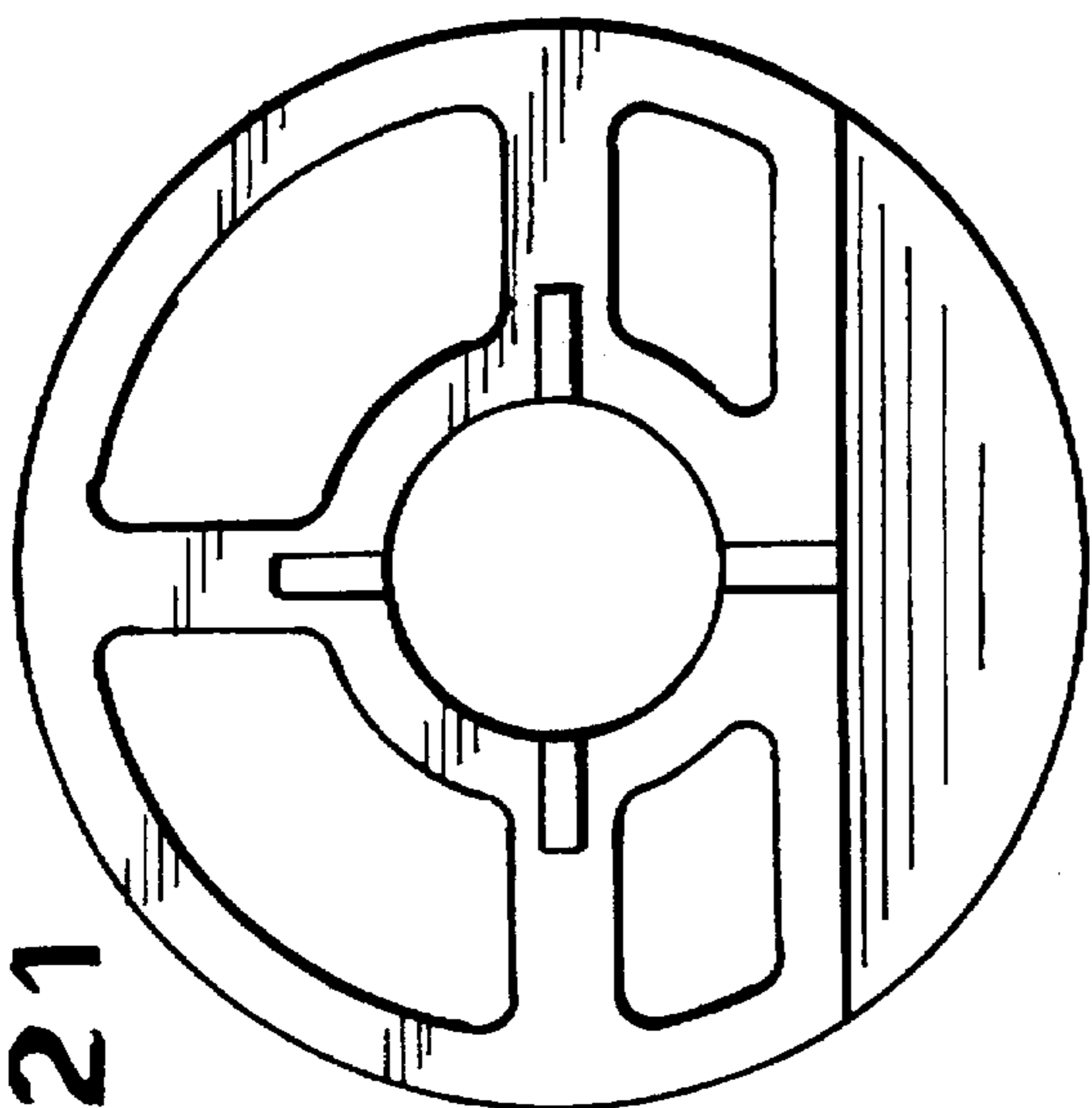


FIG. 19

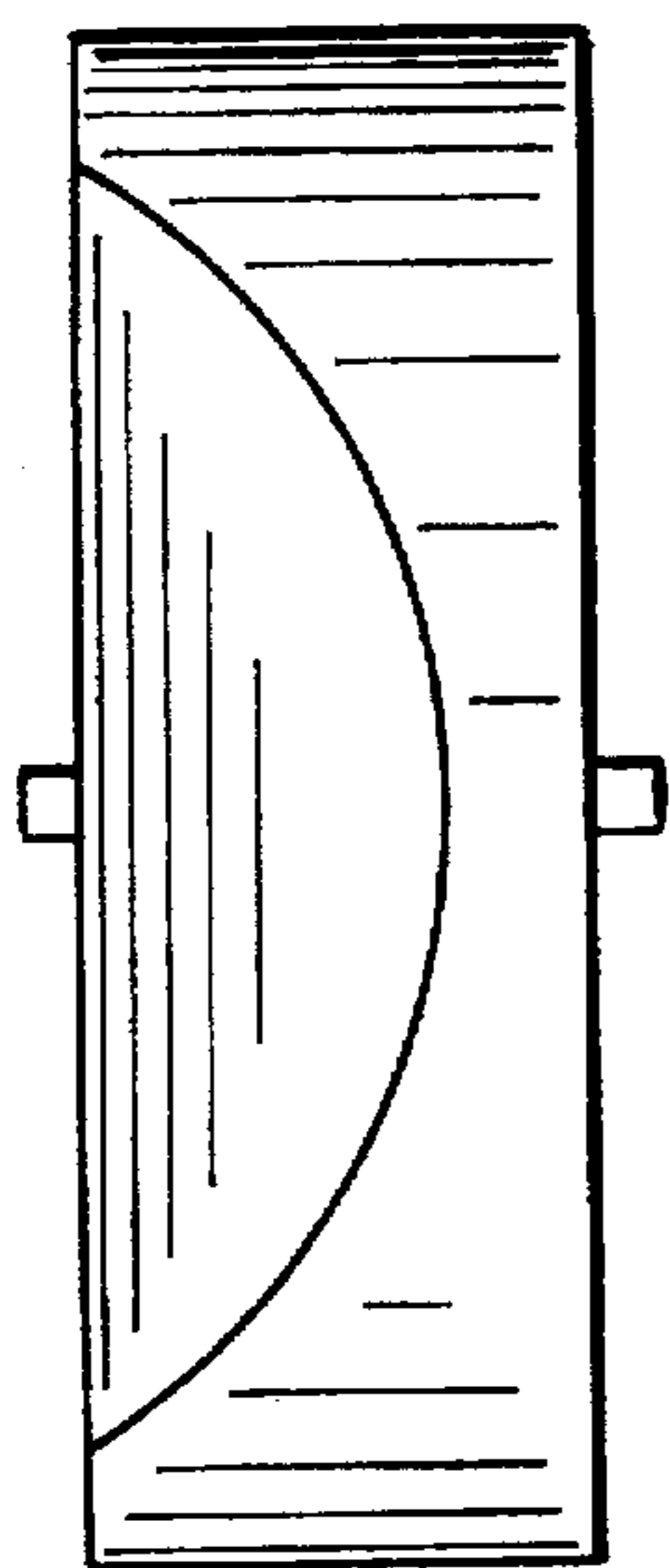


FIG. 20

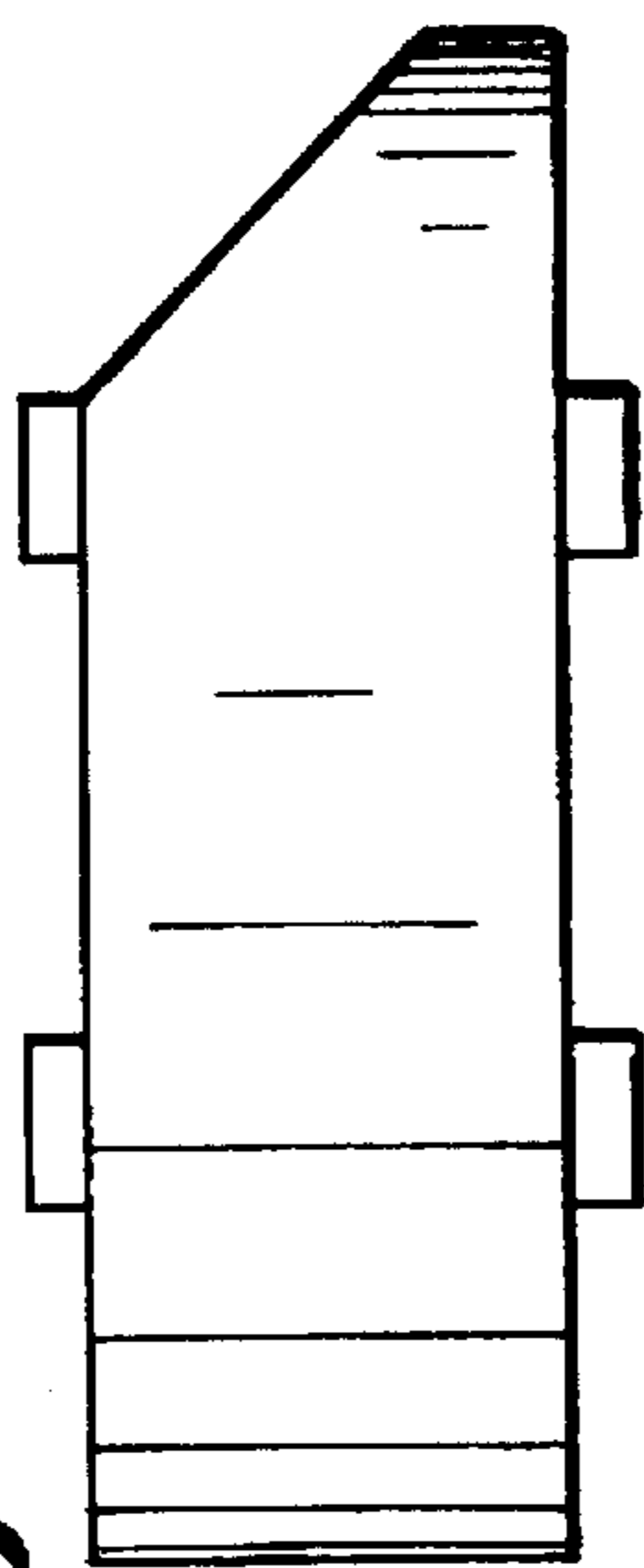


FIG. 22

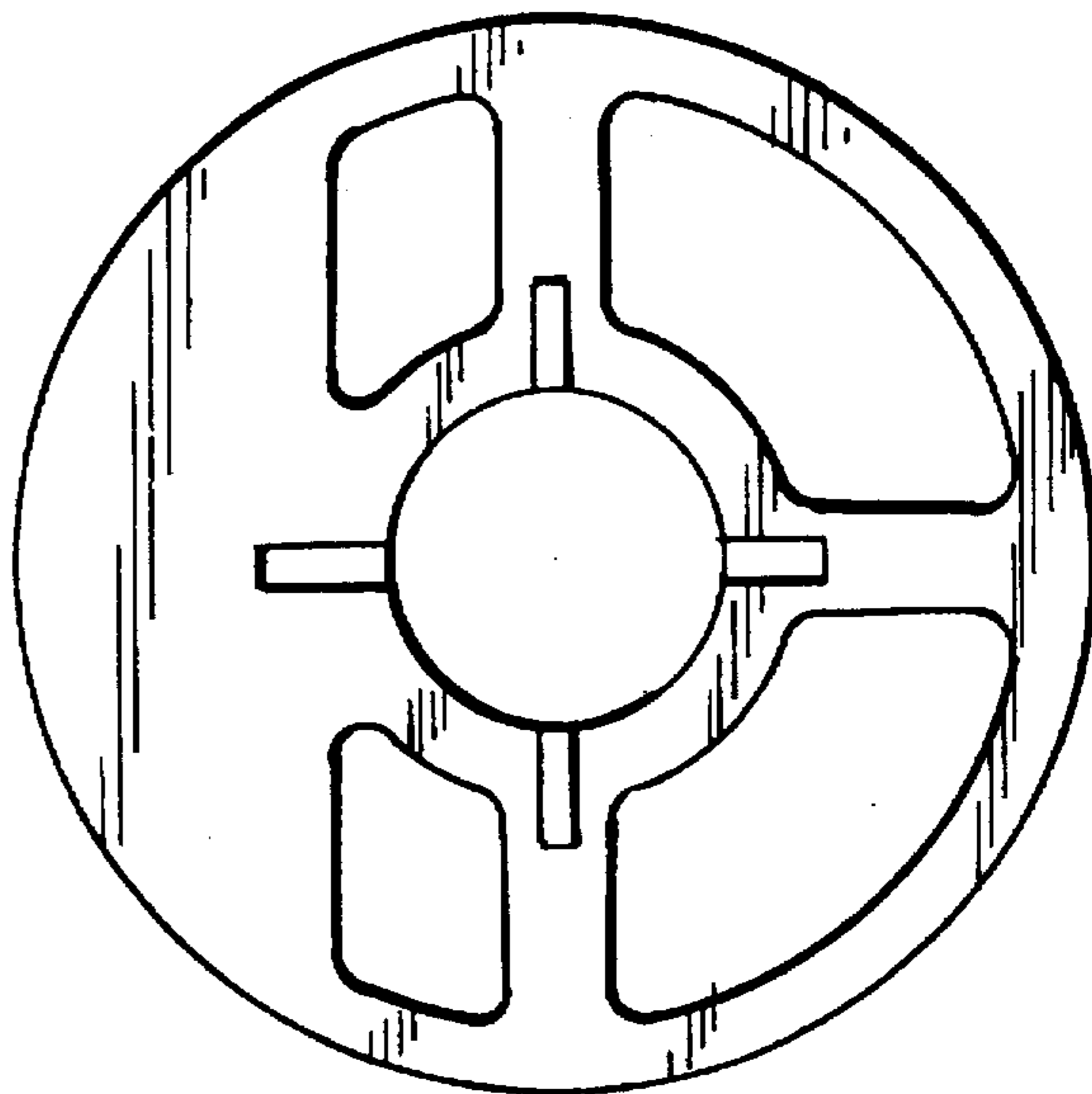


FIG. 23

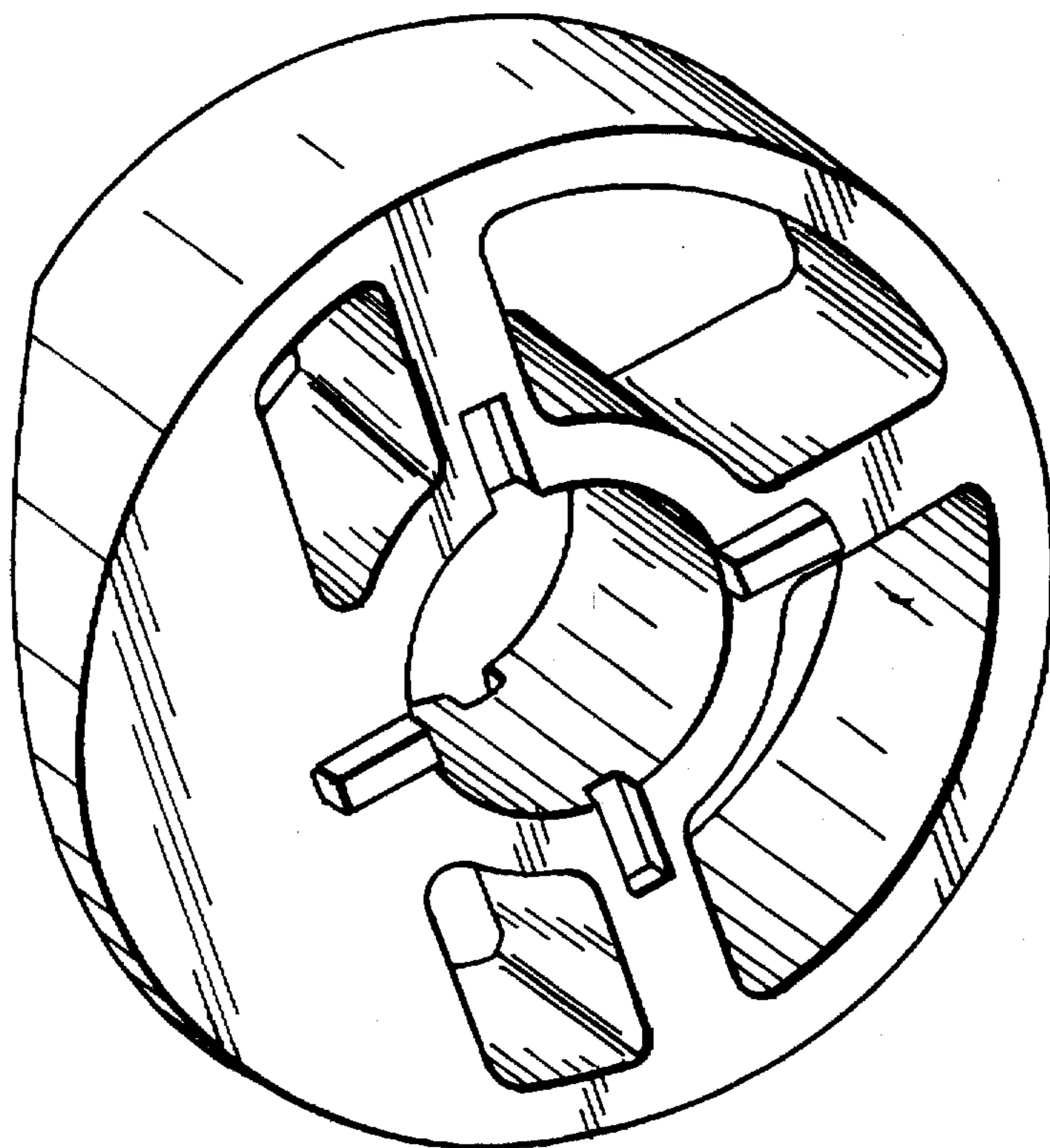
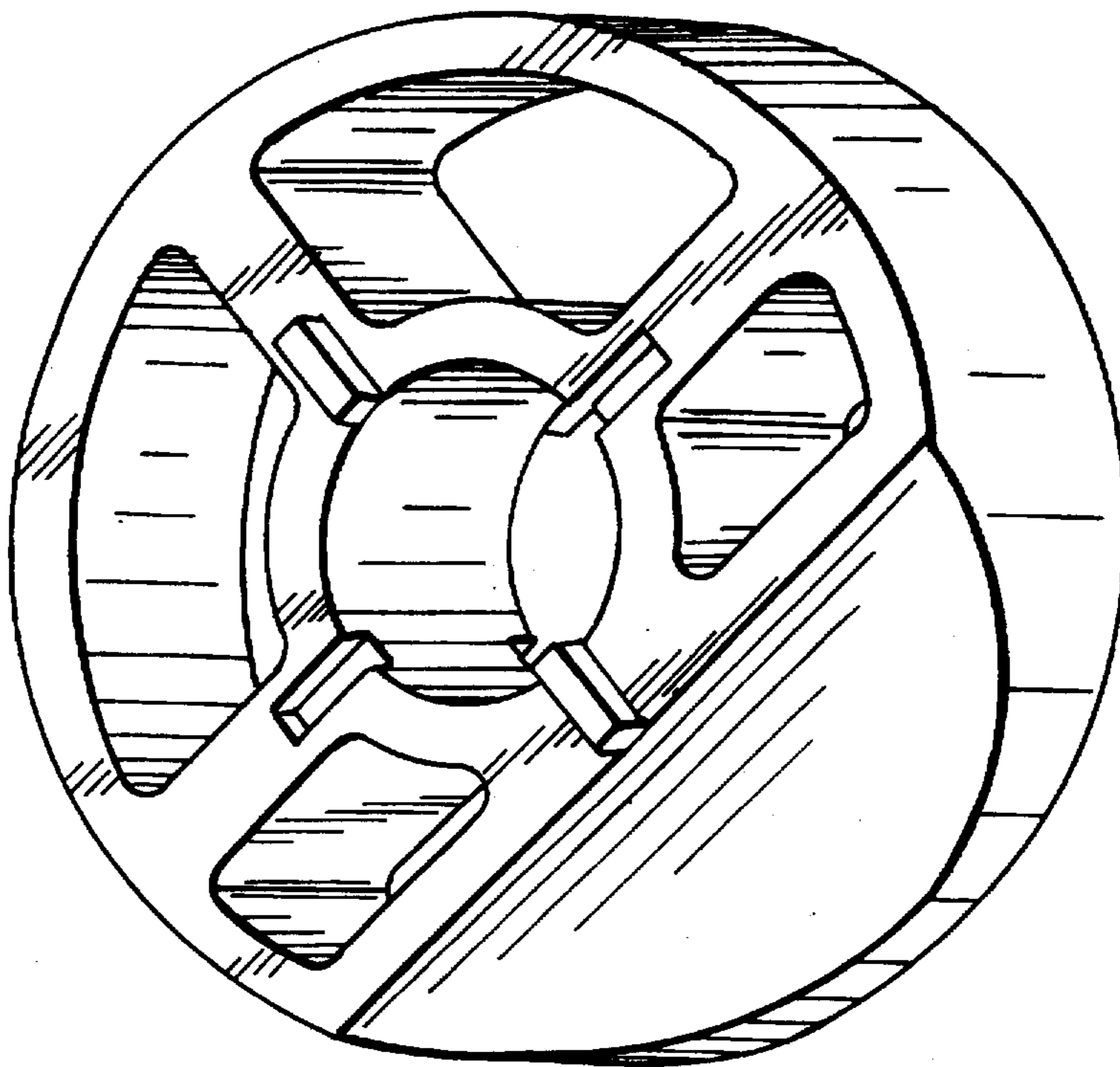


FIG. 24