



US00D393657S

United States Patent [19]

[11] Patent Number: **Des. 393,657**

Bennett

[45] Date of Patent: ****Apr. 21, 1998**

[54] **PUNCH TOOL**

4,742,744 5/1988 Lindberg .

5,247,863 9/1993 Cohen .

[75] Inventor: **Kyle M. Bennett**, Wausau, Wis.

OTHER PUBLICATIONS

[73] Assignee: **Fiskars Inc.**, Madison, Wis.

Family Treasures Brochure, May 1994, pp. 5-7; This brochure shows a variety of punches that can use interchangeable dies.

[**] Term: **14 Years**

Primary Examiner—Martie Thompson
Attorney, Agent, or Firm—Foley & Lardner

[21] Appl. No.: **63,090**

[22] Filed: **Nov. 26, 1996**

[57] CLAIM

[51] **LOC (6) Cl.** **19-02**

[52] **U.S. Cl.** **D19/72; D19/65; D8/98**

[58] **Field of Search** D19/65, 72, 73,
D19/99, 100; D8/49, 50, 98; 30/358, 363,
364, 366, 229; 83/560, 588, 618, 633, 167,
465, 257, 550

The ornamental design for the punch tool, as shown and described.

DESCRIPTION

[56] References Cited

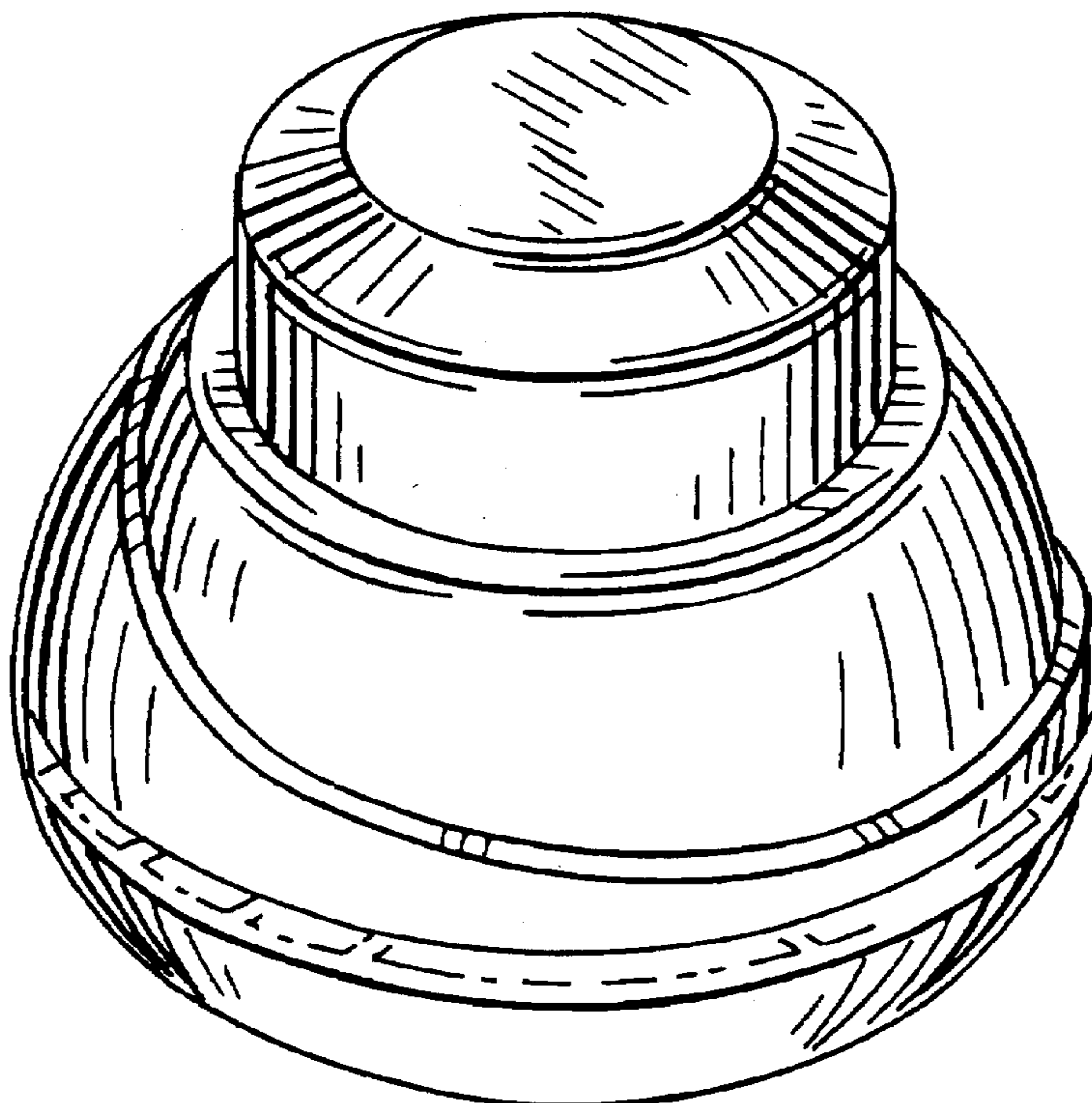
U.S. PATENT DOCUMENTS

| | | | |
|------------|---------|----------------------|----------|
| 99,065 | 1/1870 | Culver . | |
| D. 239,770 | 5/1976 | Inoue | D19/72 |
| D. 256,479 | 8/1980 | Manusch . | |
| D. 304,131 | 10/1989 | Tanigami . | |
| D. 321,907 | 11/1991 | Matsuno . | |
| D. 352,316 | 11/1994 | Ziez | D19/72 |
| D. 373,385 | 9/1996 | Birkholz . | |
| 2,730,811 | 1/1956 | Gouldsmith, Jr. | 30/366 |
| 2,874,464 | 2/1959 | Petersen | 30/229 |
| 3,073,199 | 1/1963 | Yerkes . | |
| 3,859,726 | 1/1975 | Mitsunari | 30/358 |
| 3,944,373 | 3/1976 | Farjon et al. | 83/588 X |
| 4,288,018 | 9/1981 | Taniguchi | 83/618 X |
| 4,594,927 | 6/1986 | Mori . | |
| 4,656,907 | 4/1987 | Hymmen . | |

FIG. 1 is a perspective view of a punch tool showing our new design;
FIG. 2 is a front elevational view thereof;
FIG. 3 is a right side elevational view thereof, the left side elevational view being a mirror image thereof;
FIG. 4 is a top plan view thereof;
FIG. 5 is a rear elevational view thereof;
FIG. 6 is a bottom plan view thereof;
FIG. 7 is a perspective view of a first modified embodiment of the punch tool shown in FIG. 1;
FIG. 8 is a front elevational view thereof; and,
FIG. 9 is a right side elevational view thereof, the left side elevational view being a mirror image thereof, and the top, bottom, and rear views being substantially identical to those of the embodiment of FIG. 1.

The broken line showing in the figures is for illustrative purposes only and forms no part of the claimed design.

1 Claim, 3 Drawing Sheets



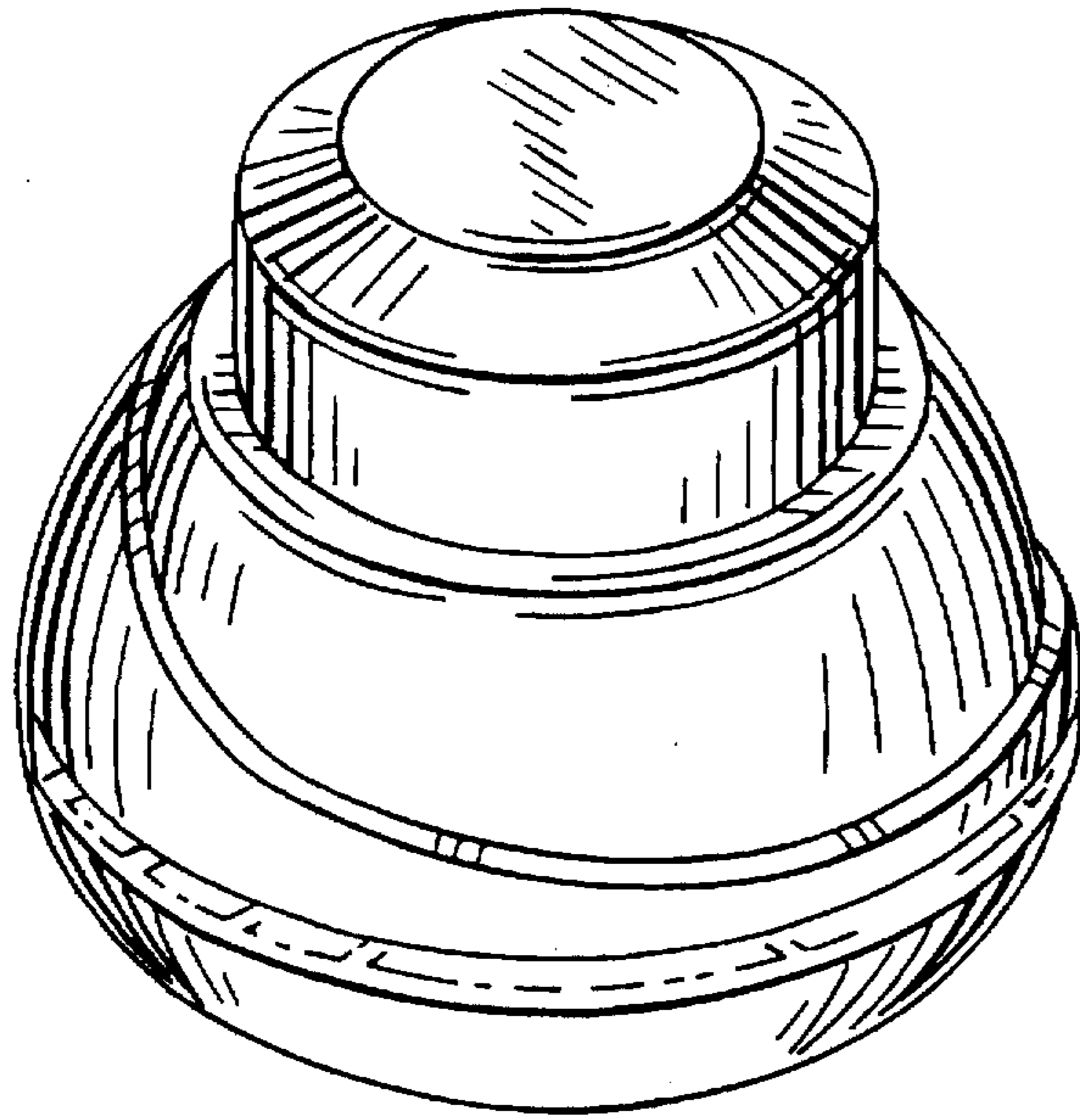


FIG. 1

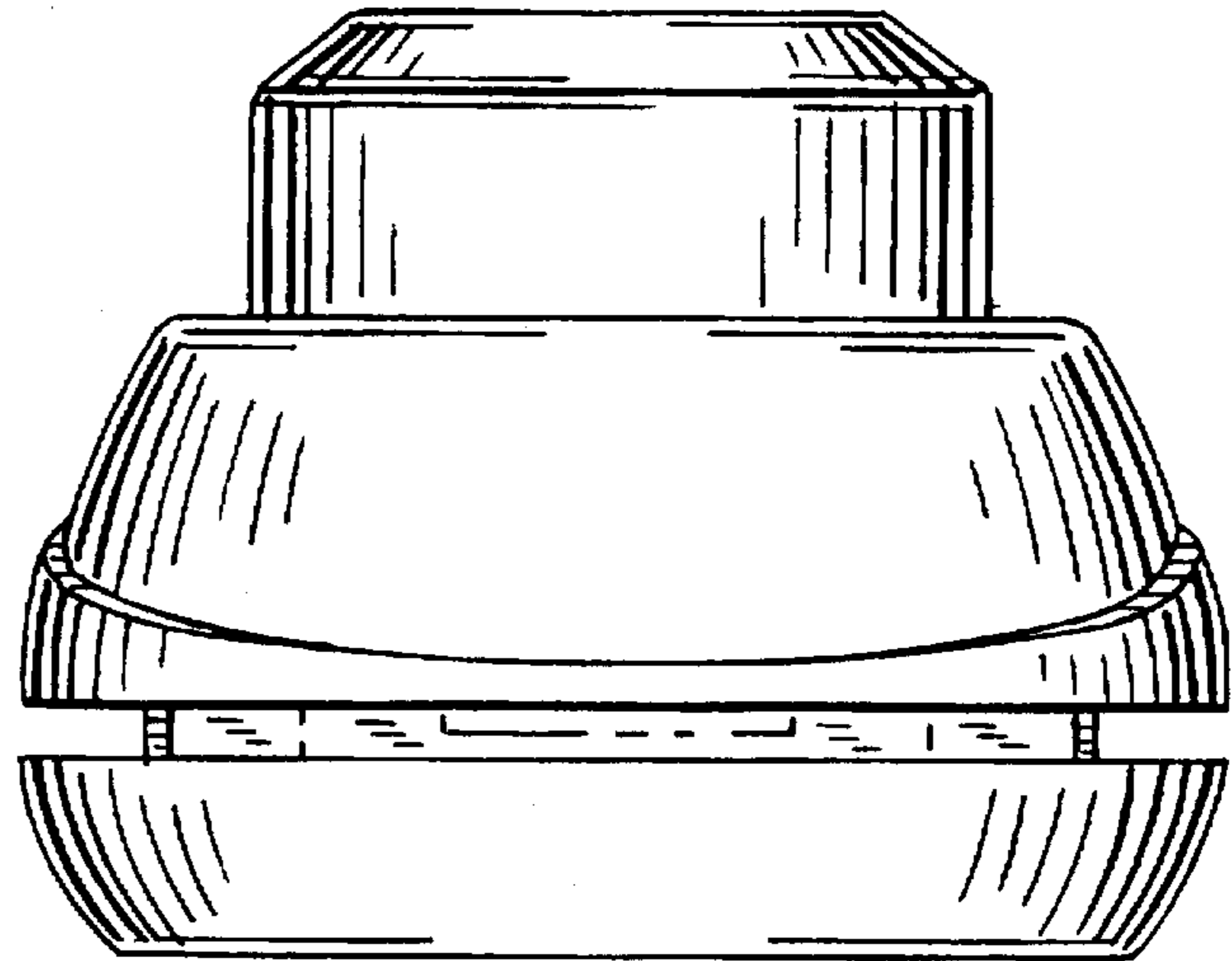


FIG. 2

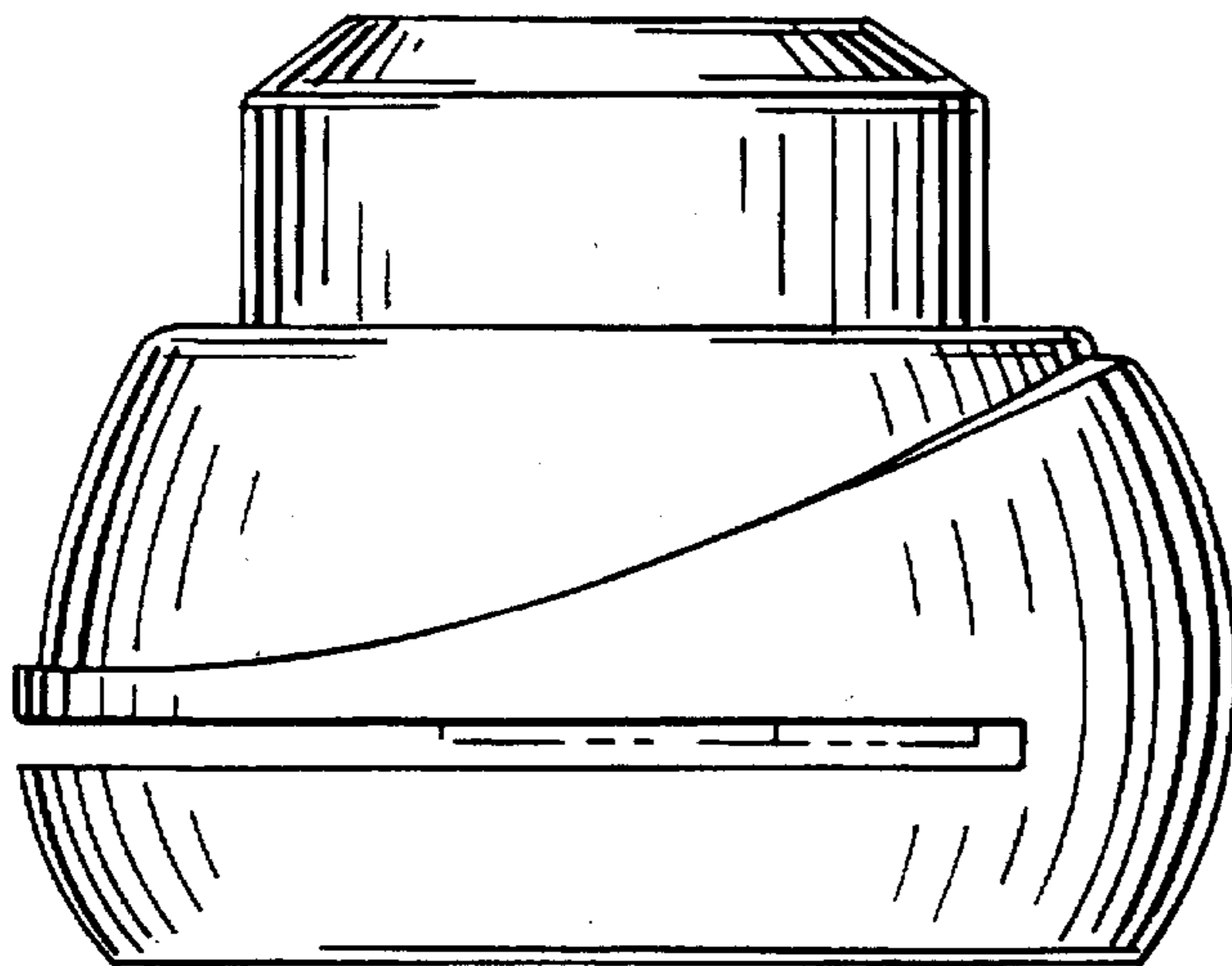


FIG. 3

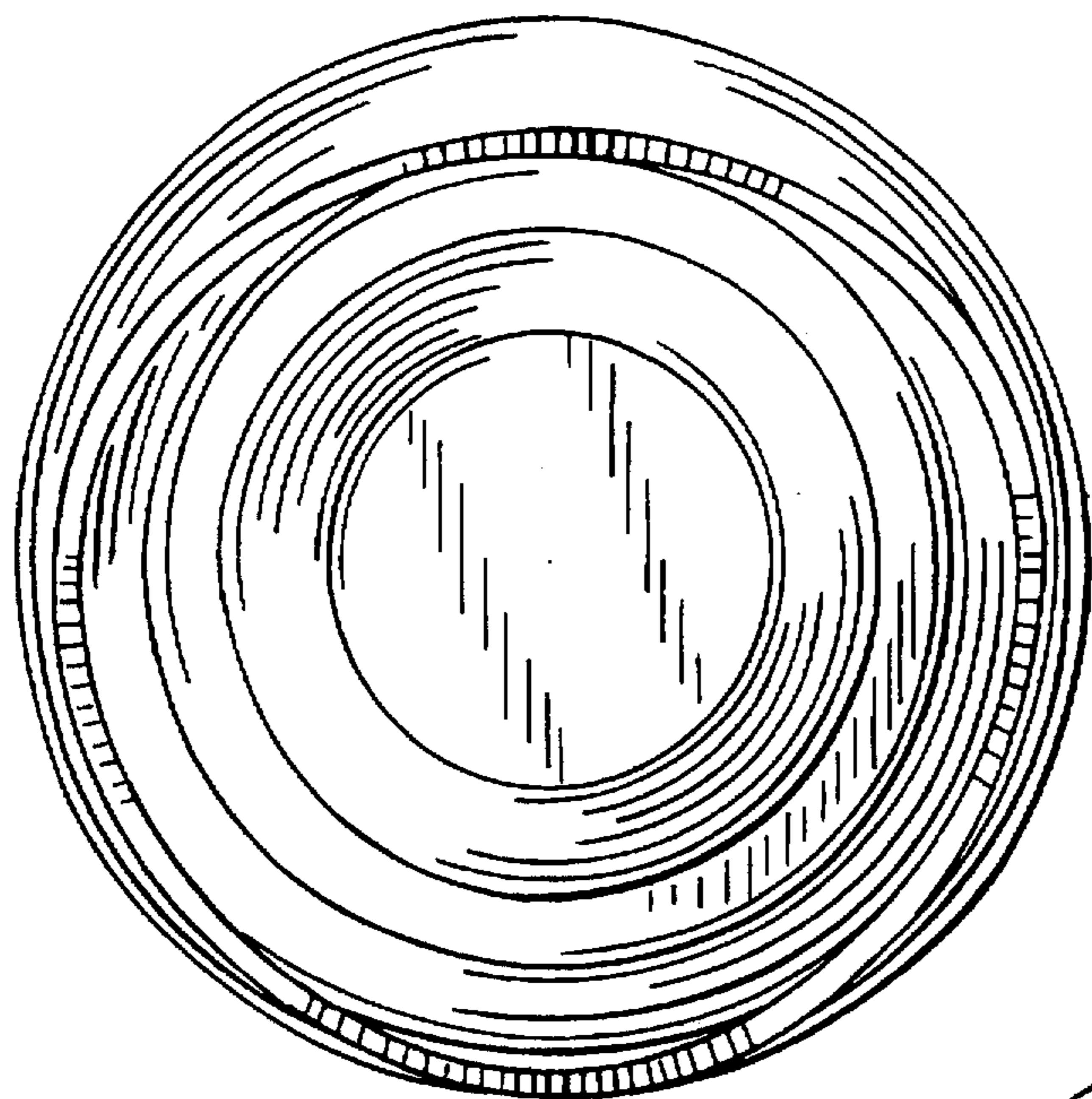


FIG. 4

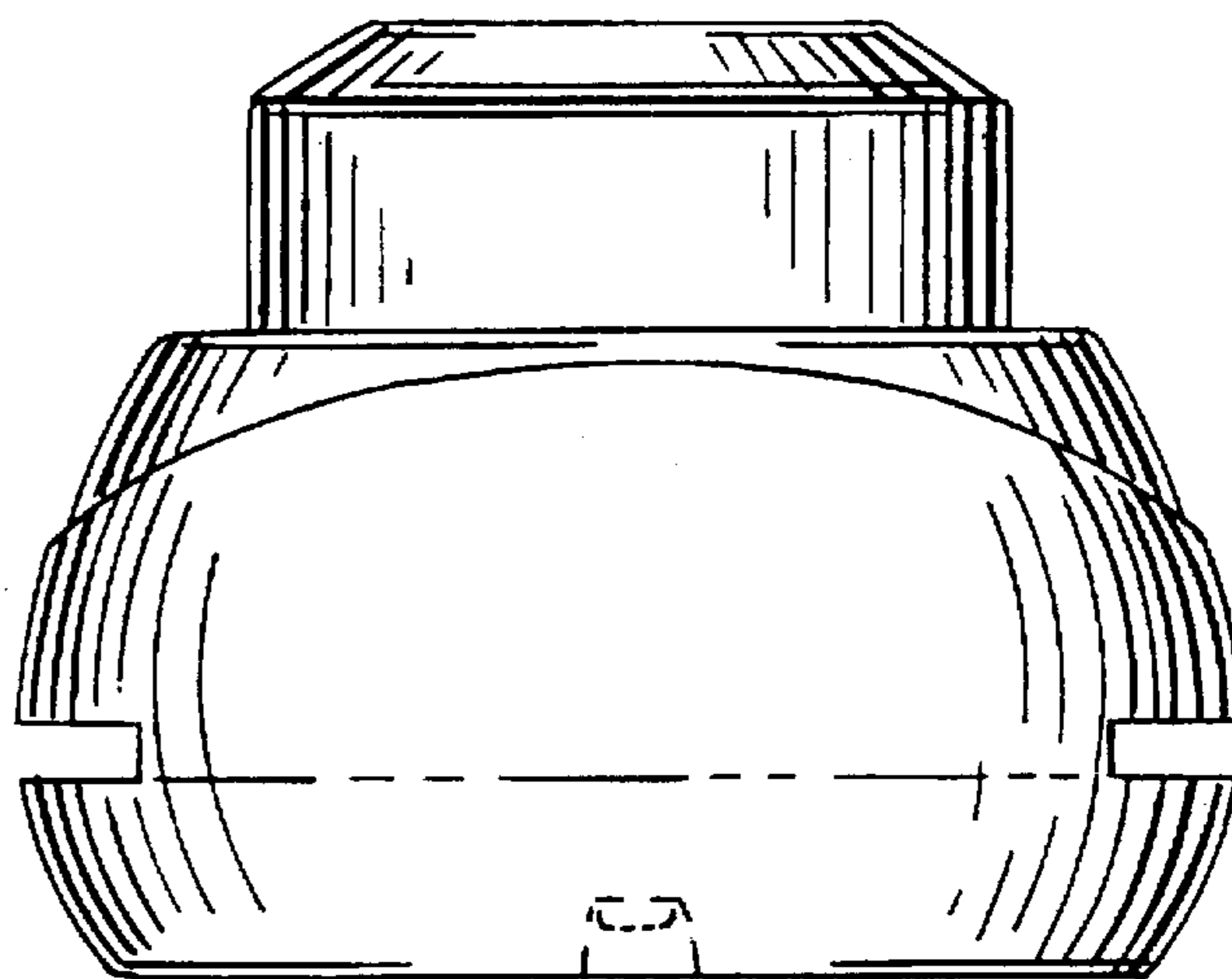


FIG. 5

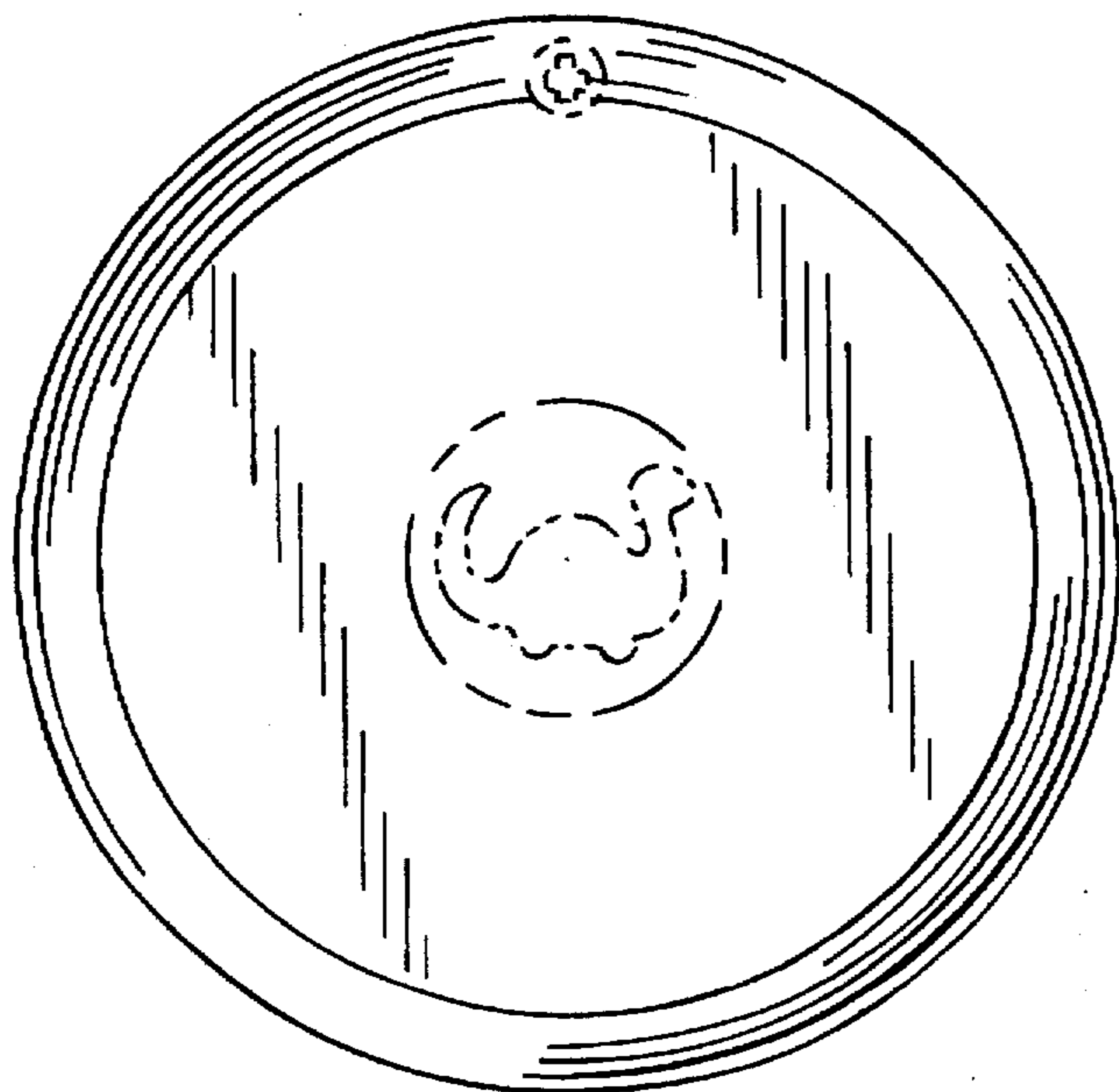


FIG. 6

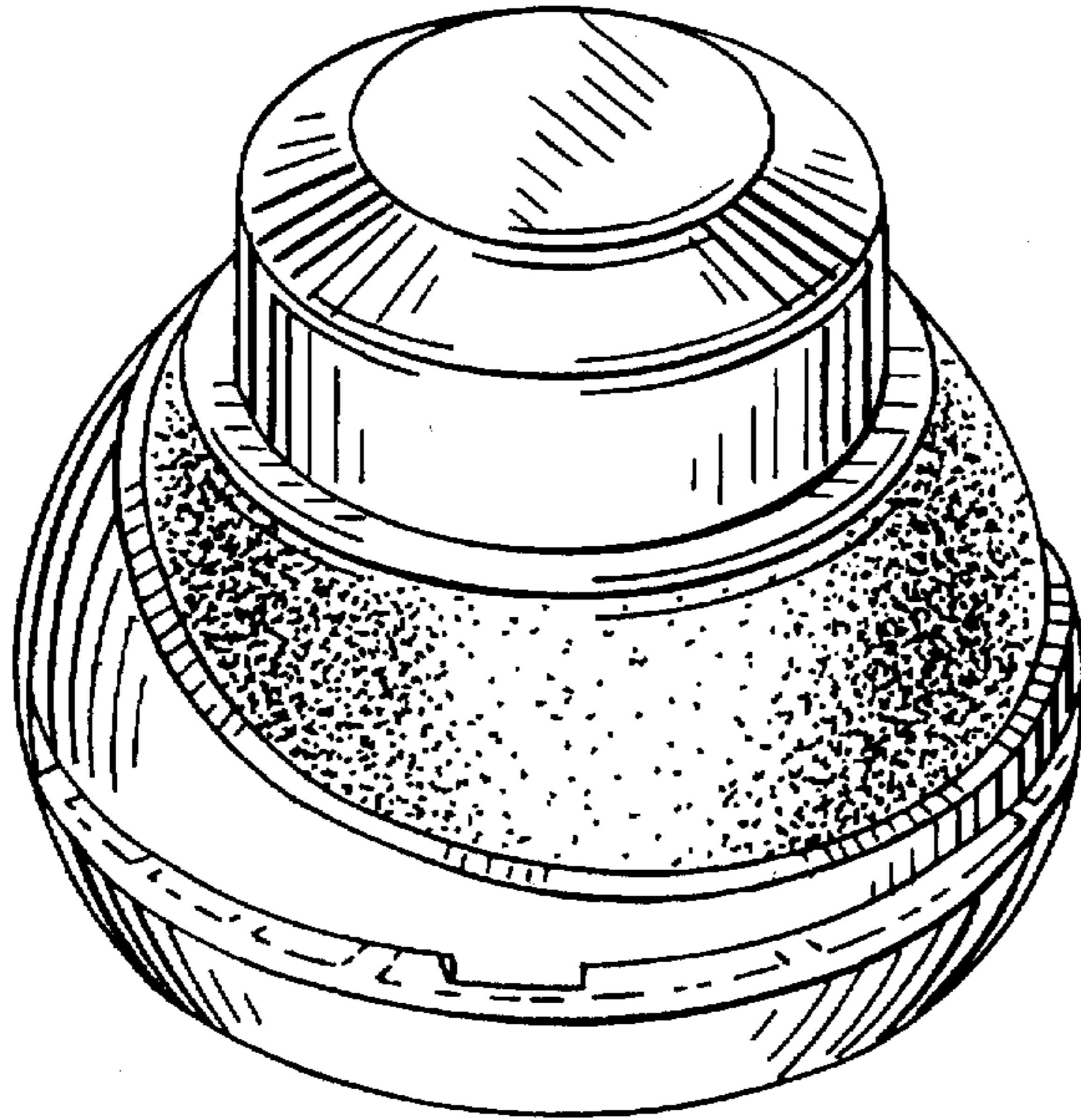


FIG. 7

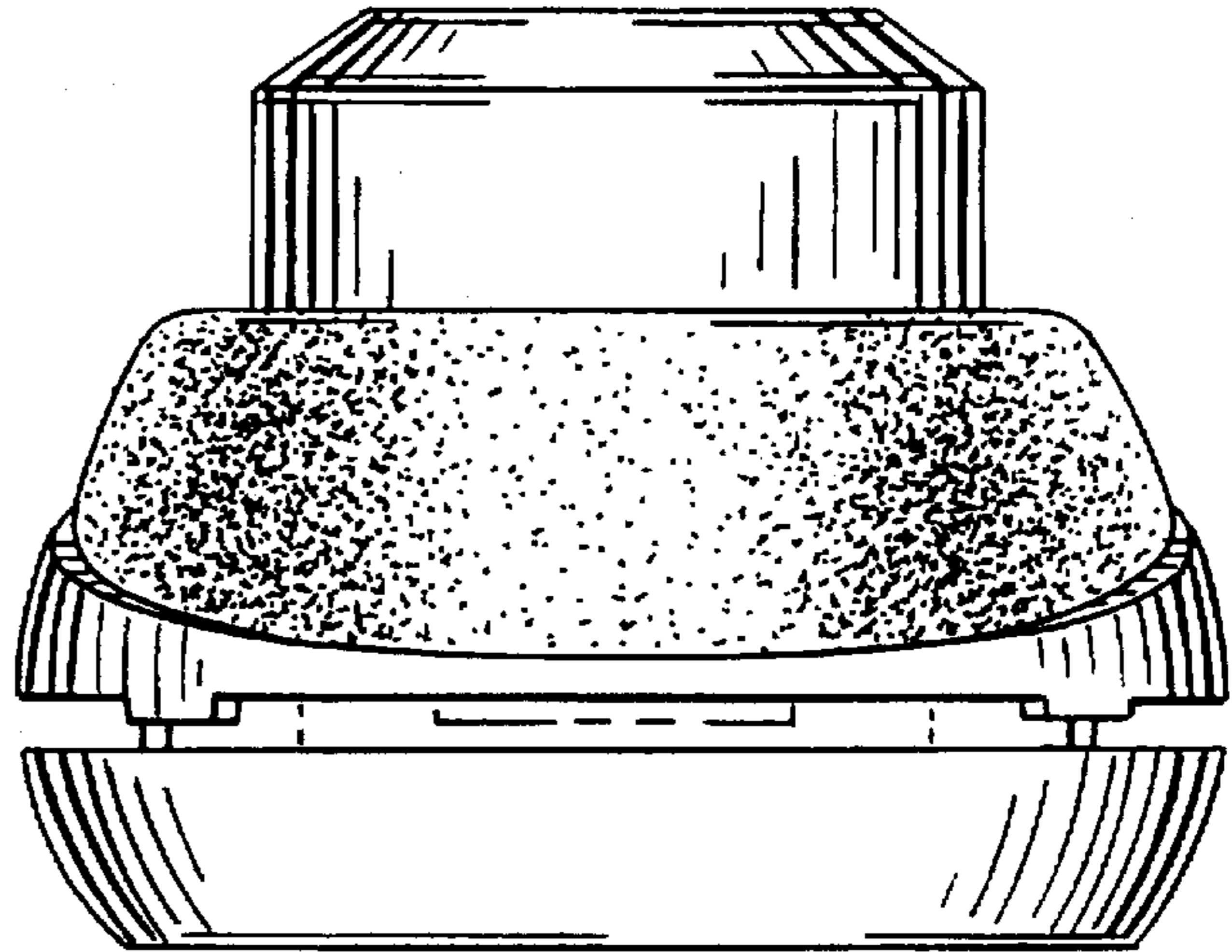


FIG. 8

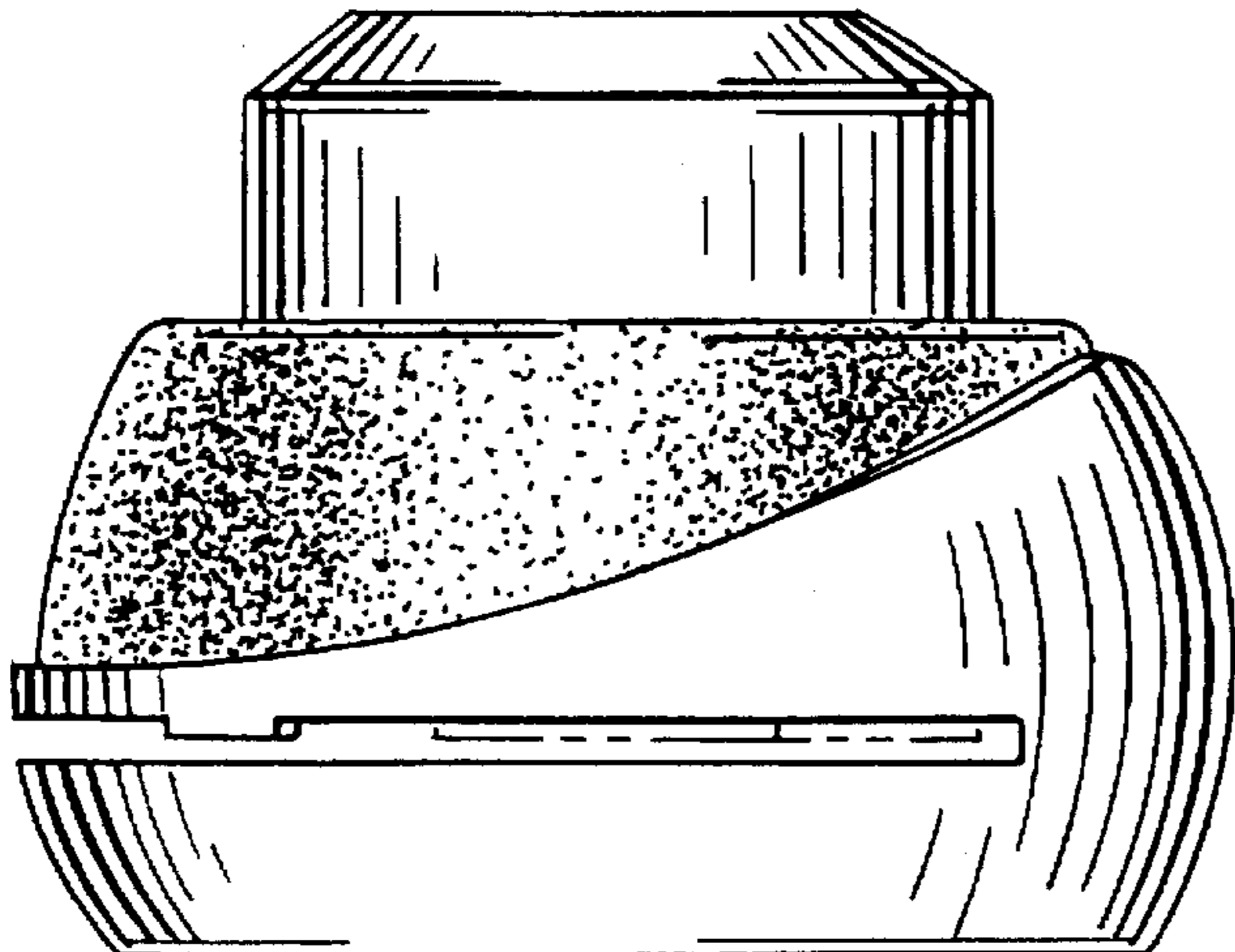


FIG. 9