



US00D393651S

United States Patent [19]

[11] Patent Number: **Des. 393,651**

Cha

[45] Date of Patent: ****Apr. 21, 1998**

[54] **COMBINED VIDEO CAMERA AND VIDEO TAPE RECORDER**

D. 325,921	5/1992	Ooi et al.	D16/202
D. 335,296	5/1993	Lee	D16/202
D. 347,850	6/1994	Takano et al.	D16/202
D. 354,504	1/1995	Cha	D16/202
4,623,931	11/1986	Inaga et al.	348/374

[75] Inventor: **Kang Hee Cha**, Incheon-si, Rep. of Korea

Primary Examiner—Ted Shooman
Assistant Examiner—Adir Aronovich
Attorney, Agent, or Firm—Merhcant, Gould, Smith, Edell, Welter & Schmidt

[73] Assignee: **Goldstar Co., Ltd.**, Seoul, Rep. of Korea

[**] Term: **14 Years**

[57] CLAIM

[21] Appl. No.: **33,556**

The ornamental design for a combined video camera and video tape recorder, as shown and described

[22] Filed: **Jan. 17, 1995**

DESCRIPTION

[51] LOC (6) Cl. **16-01**

[52] U.S. Cl. **D16/202**

[58] Field of Search D16/200-206;
348/373-376; 352/34, 242; 396/535-543;
358/906

FIG. 1 is a perspective view thereof;
FIG. 2 is a top plan view thereof;
FIG. 3 is a bottom plan view thereof;
FIG. 4 is a front elevational view thereof;
FIG. 5 is a rear elevational view thereof;
FIG. 6 is a left side elevational view thereof; and,
FIG. 7 is a right side elevational view thereof.

[56] References Cited

U.S. PATENT DOCUMENTS

D. 314,782 2/1991 Hong D16/202

1 Claim, 5 Drawing Sheets

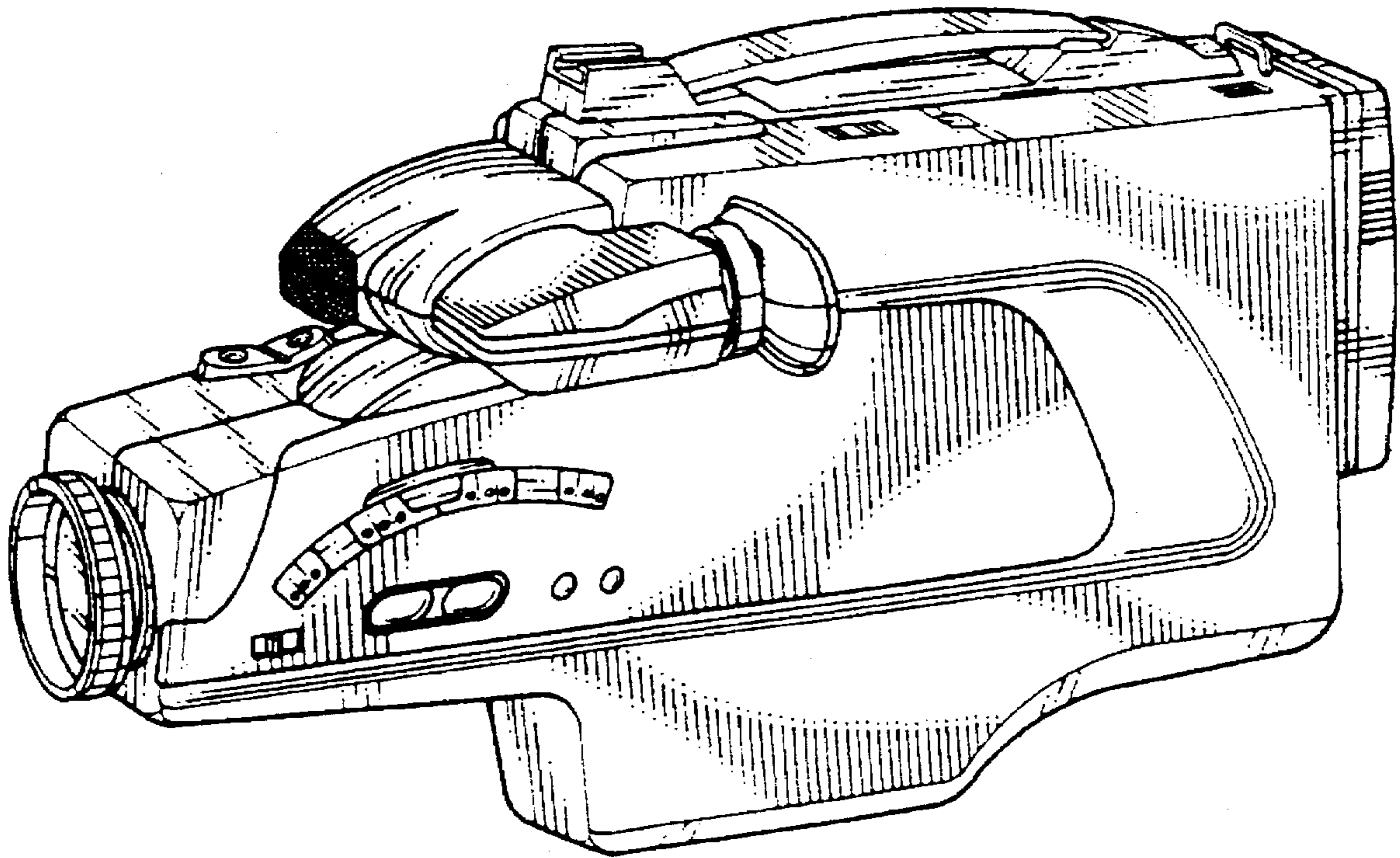


FIG. 1

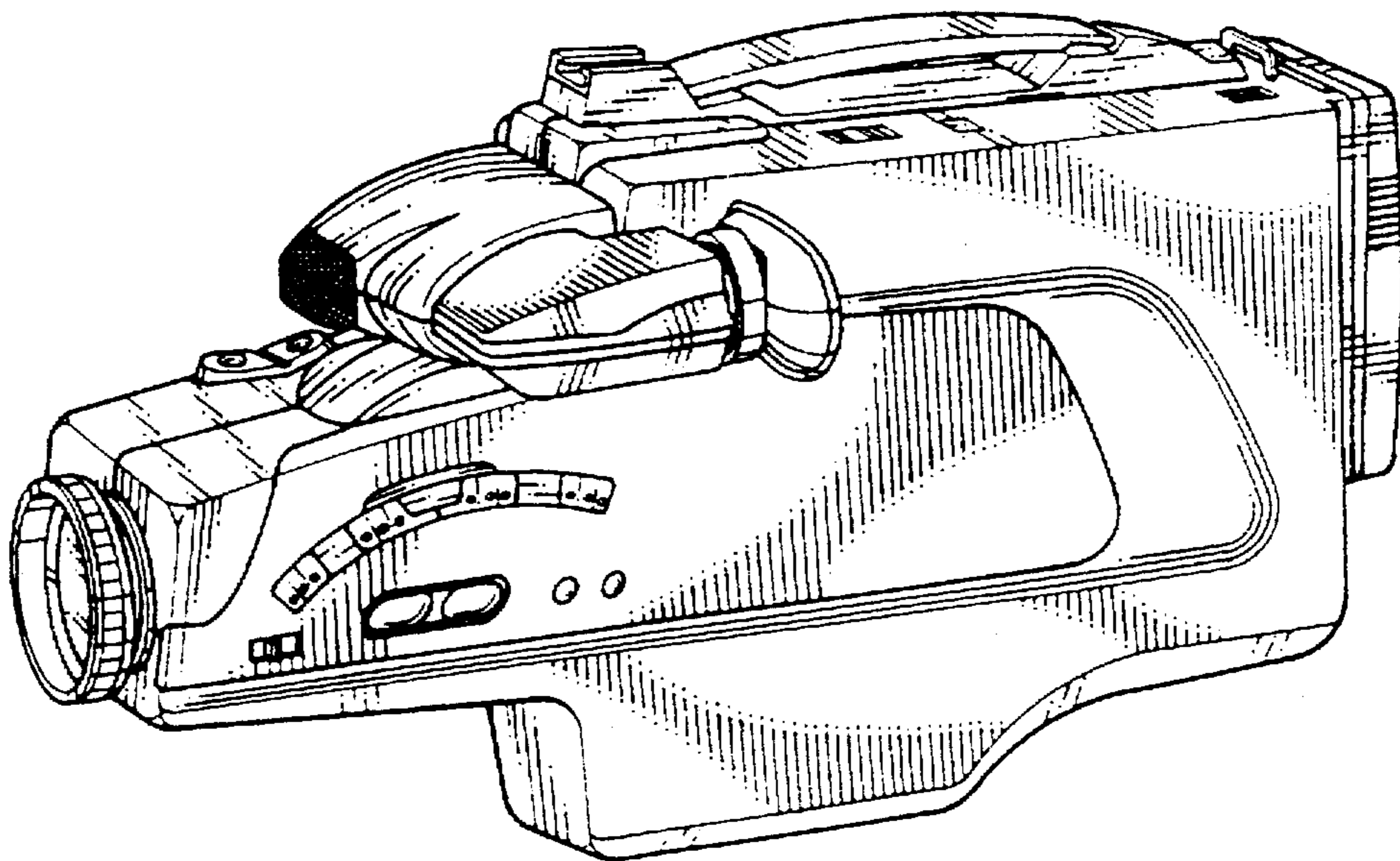


FIG. 2

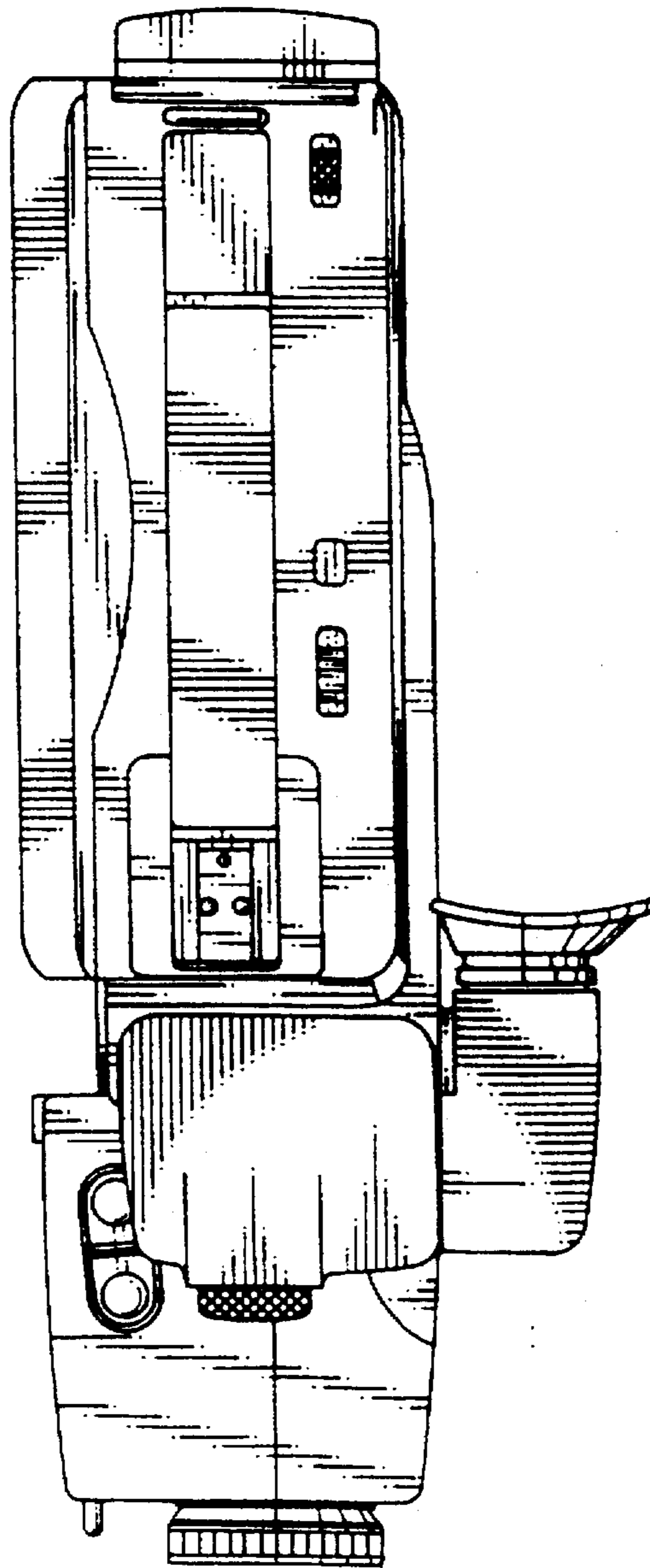


FIG. 3

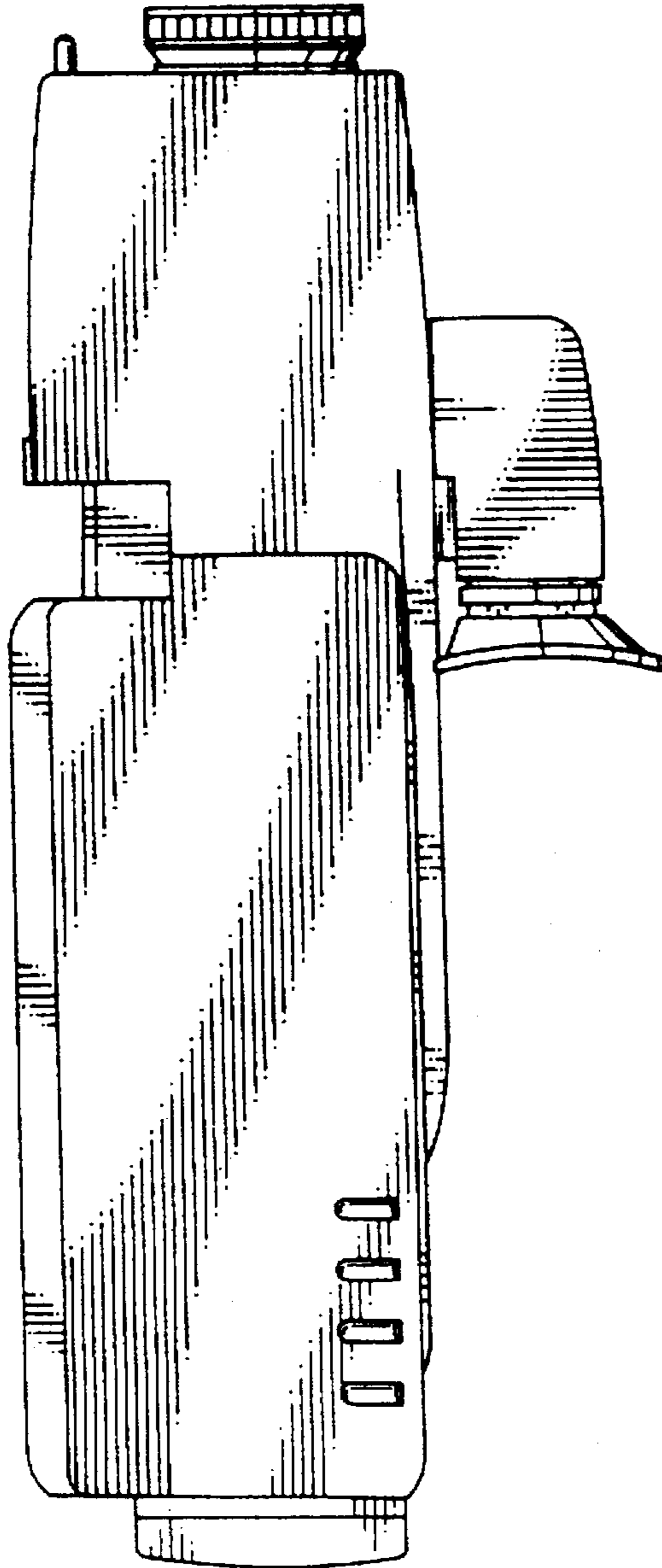


FIG. 4

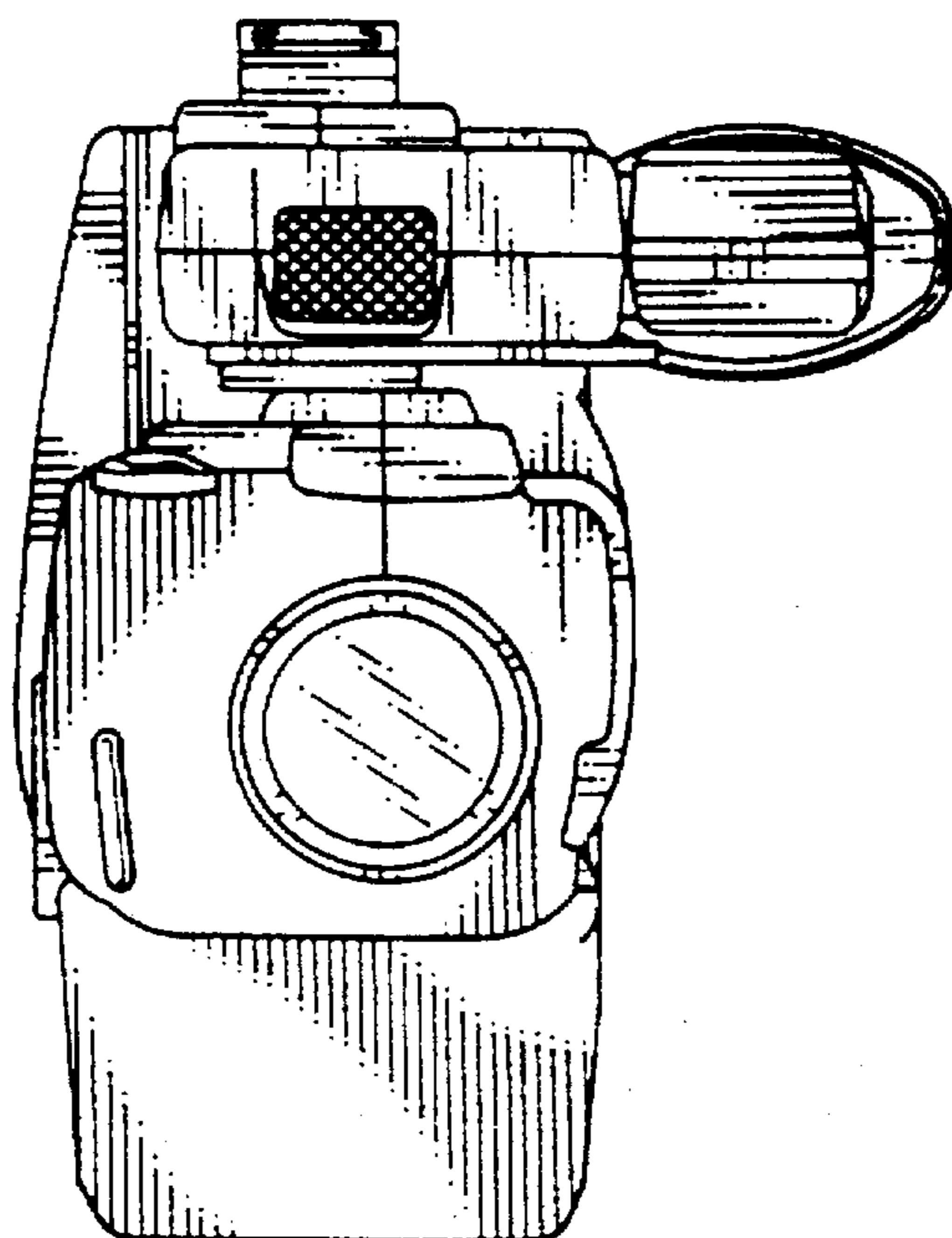


FIG. 5

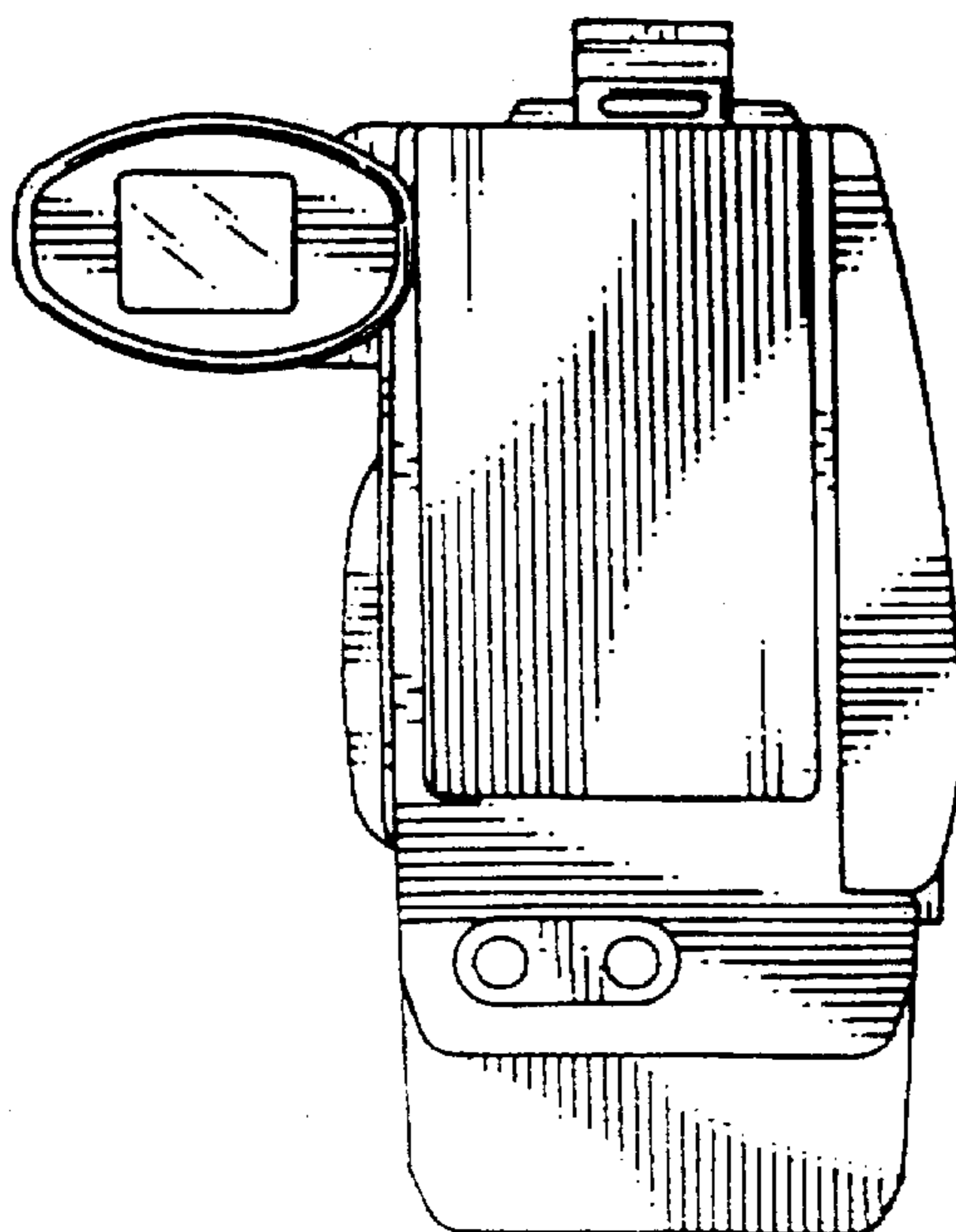


FIG. 6

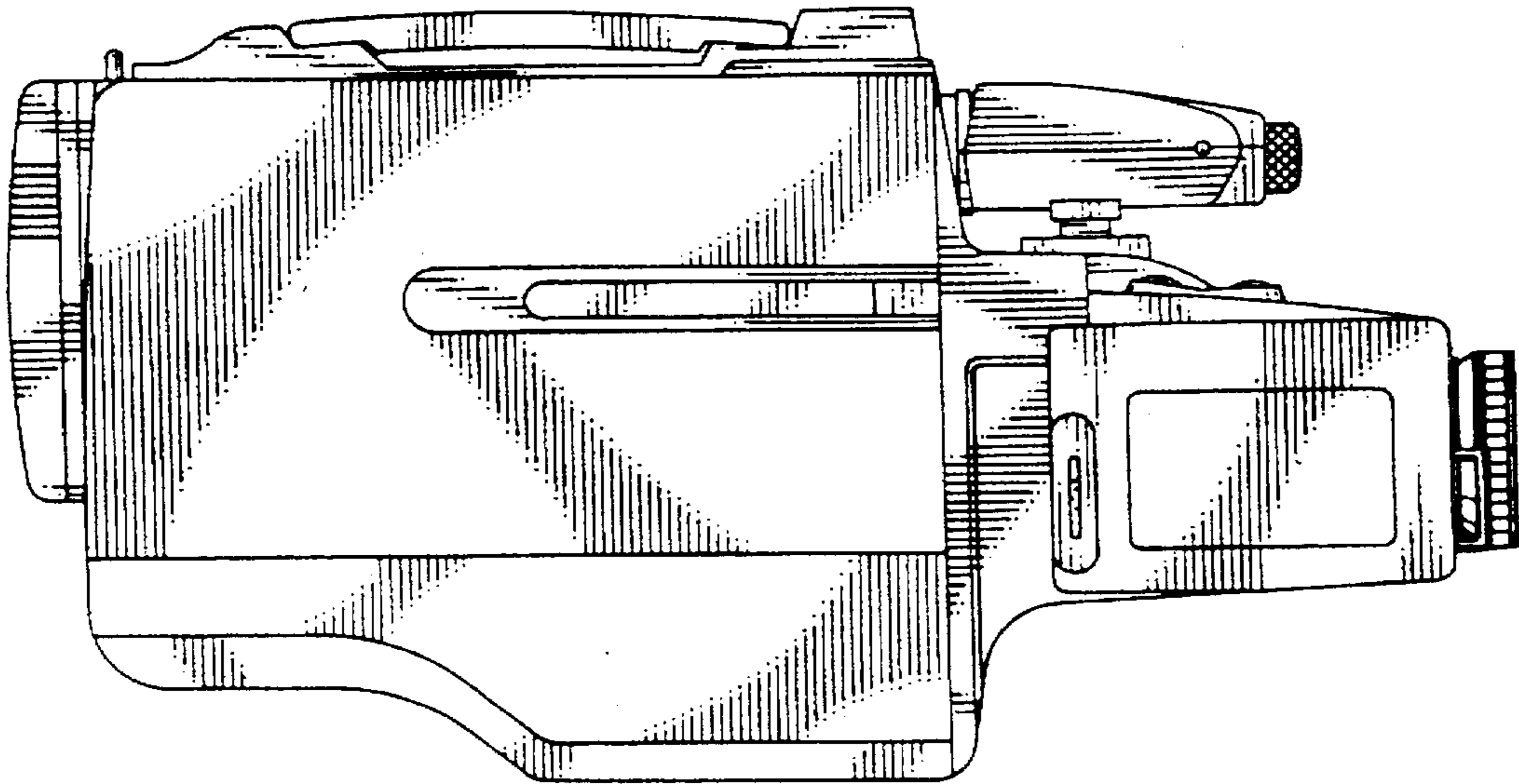


FIG. 7

