



US00D393648S

United States Patent [19] Chen

[11] Patent Number: Des. 393,648

[45] Date of Patent: **Apr. 21, 1998

[54] DRILL PRESS

D. 331,246 11/1992 Chen D15/132
5,517,746 5/1996 Cox et al. 408/560

[75] Inventor: Rey Zon Chen, Taichung, Taiwan

Primary Examiner—Antoine Duval Davis
Attorney, Agent, or Firm—McCormick, Paulding & Huber

[73] Assignee: Rexon Industrial Corp., Ltd.,
Taichung, Taiwan

[57] CLAIM

[**] Term: 14 Years

The ornamental design for a drill press, as shown and described.

[21] Appl. No.: 56,582

DESCRIPTION

[22] Filed: Jul. 2, 1996

FIG. 1 is a perspective view of a drill press embodying the design of the present invention;

[51] LOC (6) Cl. 15-03

FIG. 2 is a side elevational view of the drill press viewed from the left side of FIG. 1;

[52] U.S. Cl. D15/132

FIG. 3 is a side elevational view of the drill press viewed from the right side of FIG. 1; and

[58] Field of Search D15/132; 29/26 A,
29/33 R, 33 K, 35; 408/234, 235, 236,
237

FIG. 4 is a front elevational view of the drill press of FIG. 1;

[56] References Cited

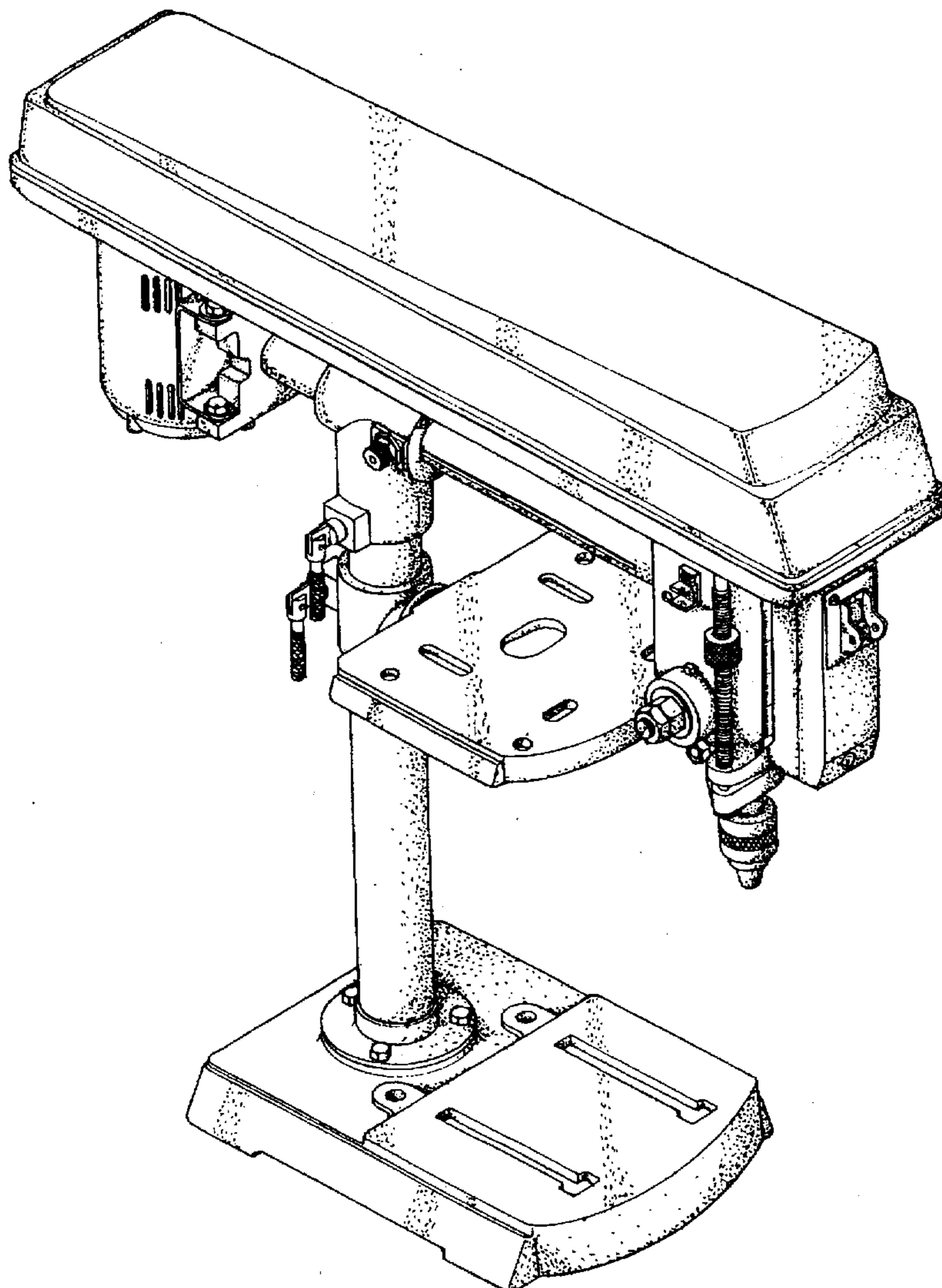
FIG. 5 is a rear elevational view of the drill press of FIG. 1;

U.S. PATENT DOCUMENTS

FIG. 6 is a bottom plan view of the drill press of FIG. 1; and,

D. 330,558 10/1992 Chang D15/132

1 Claim, 5 Drawing Sheets



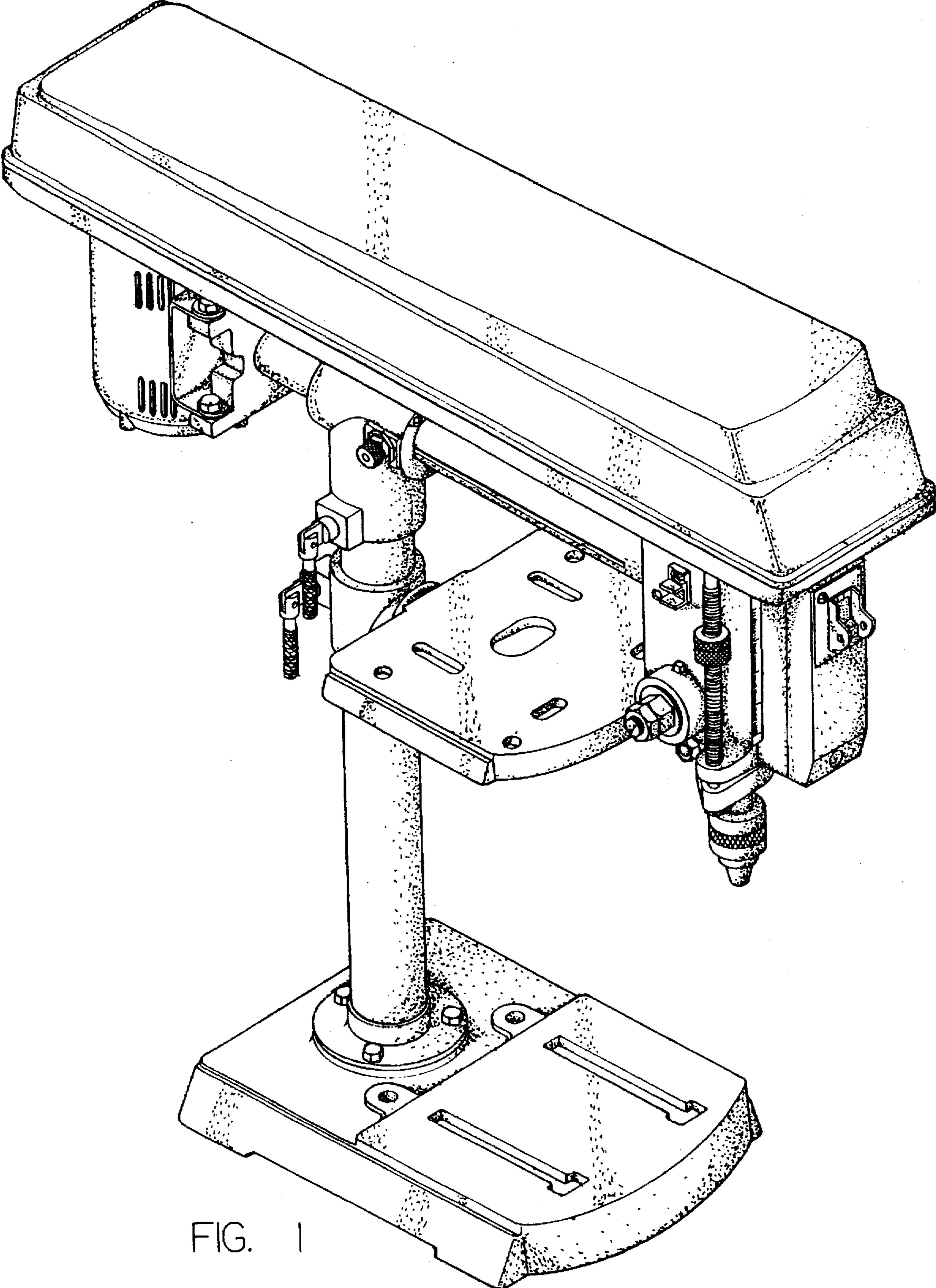


FIG. 1

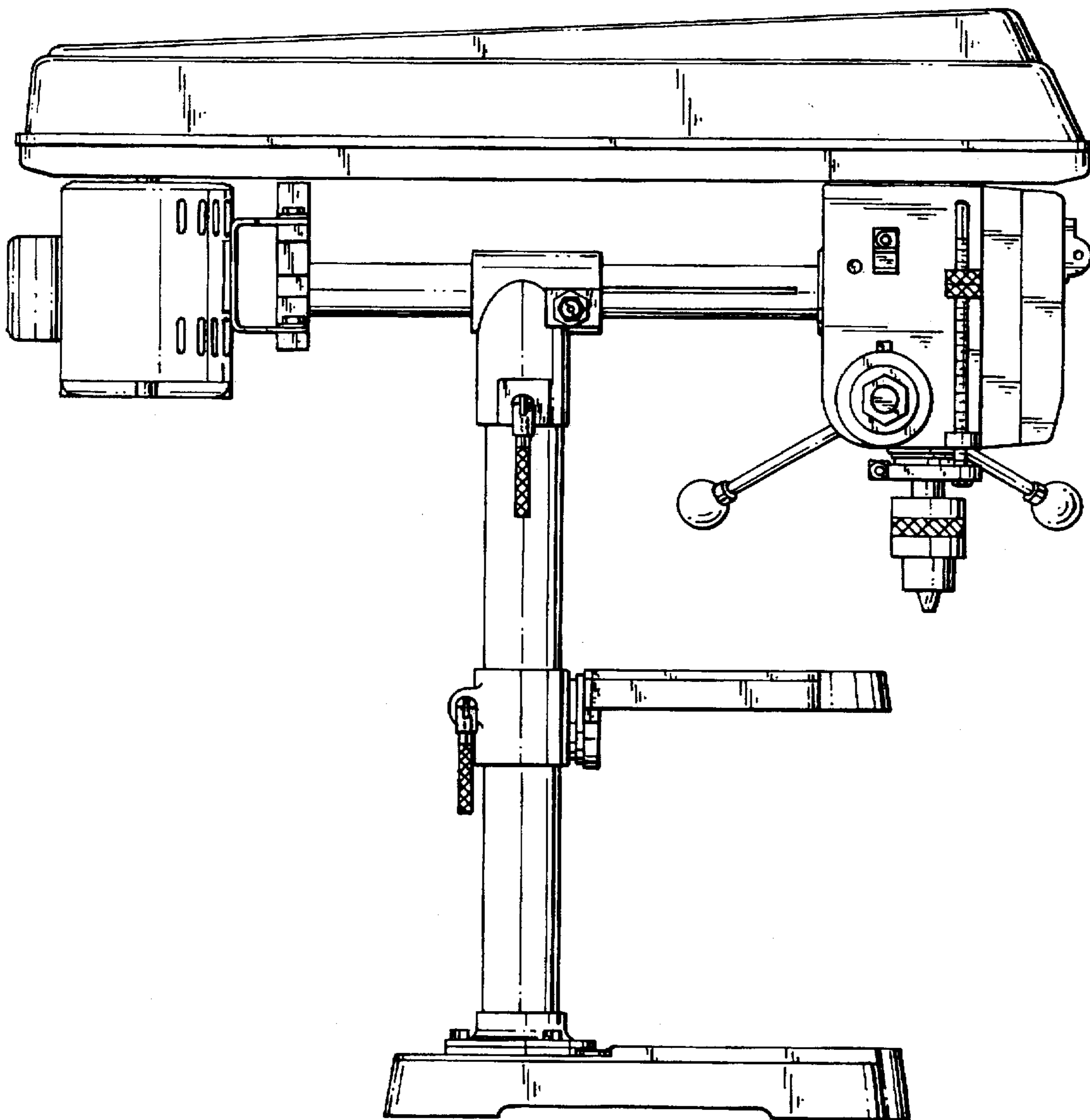


FIG. 2

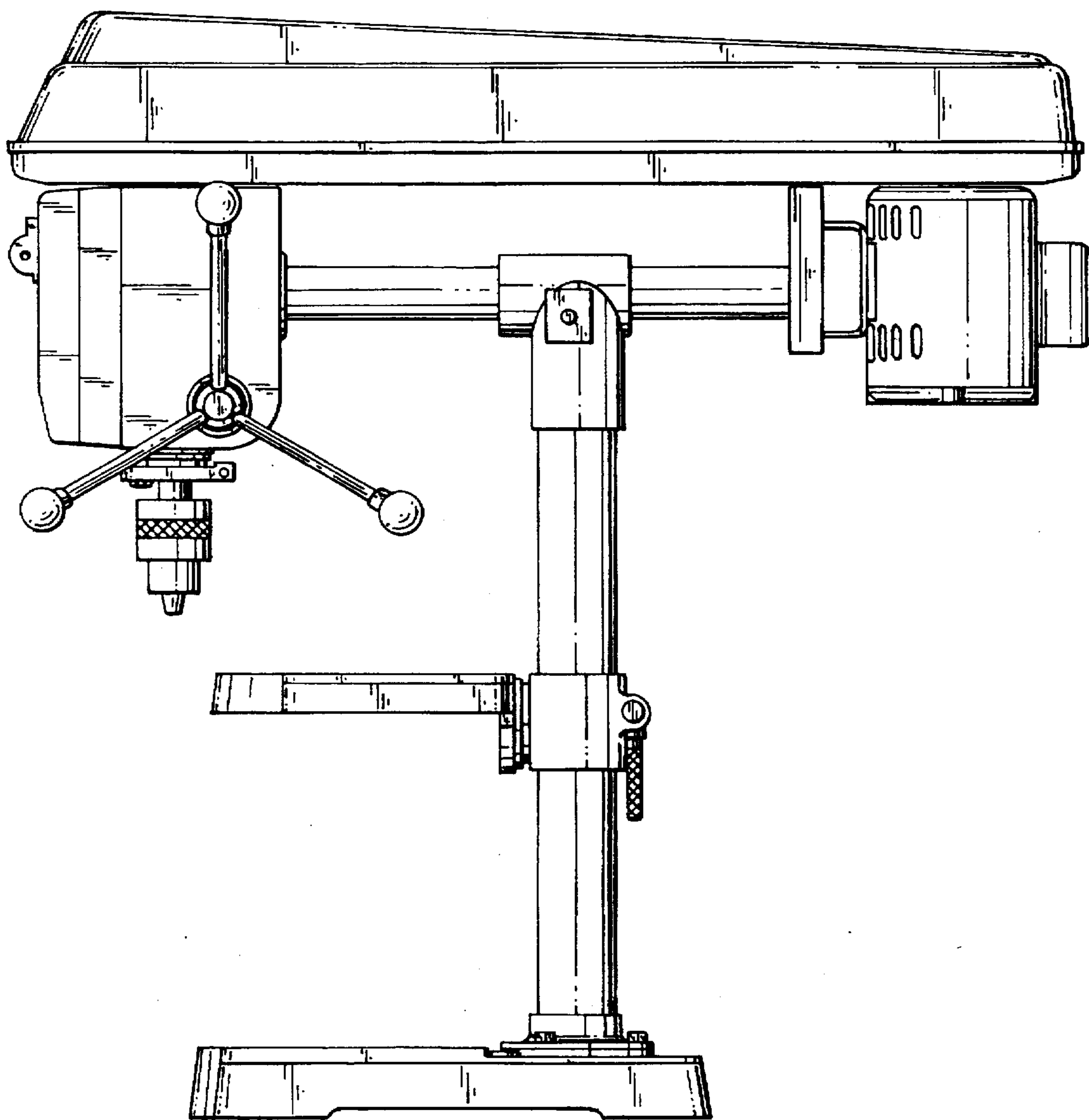


FIG. 3

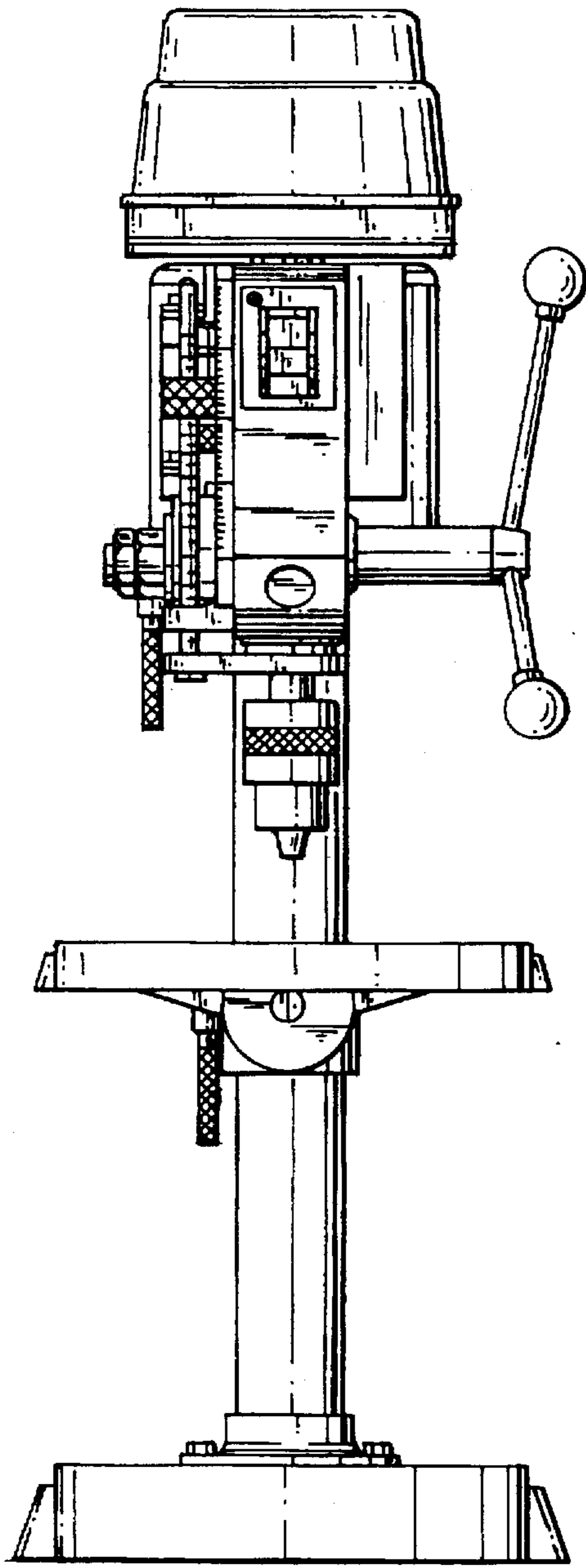


FIG. 4

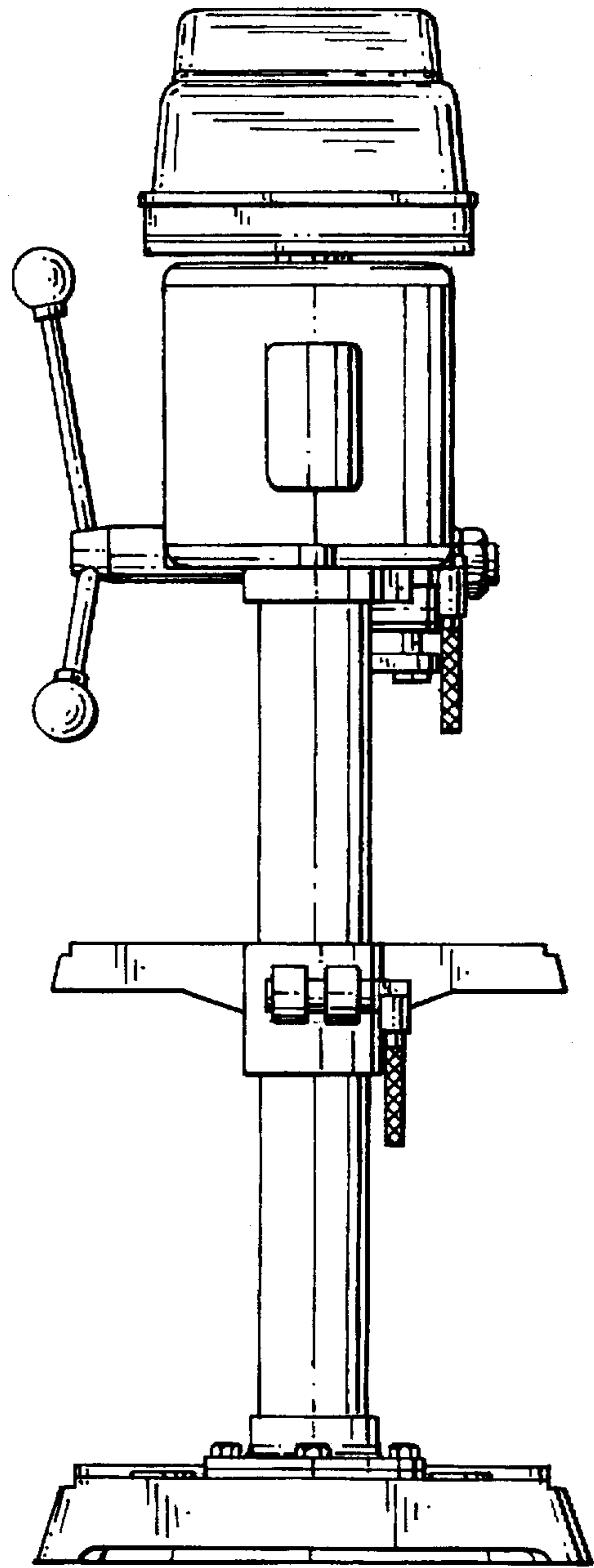


FIG. 5

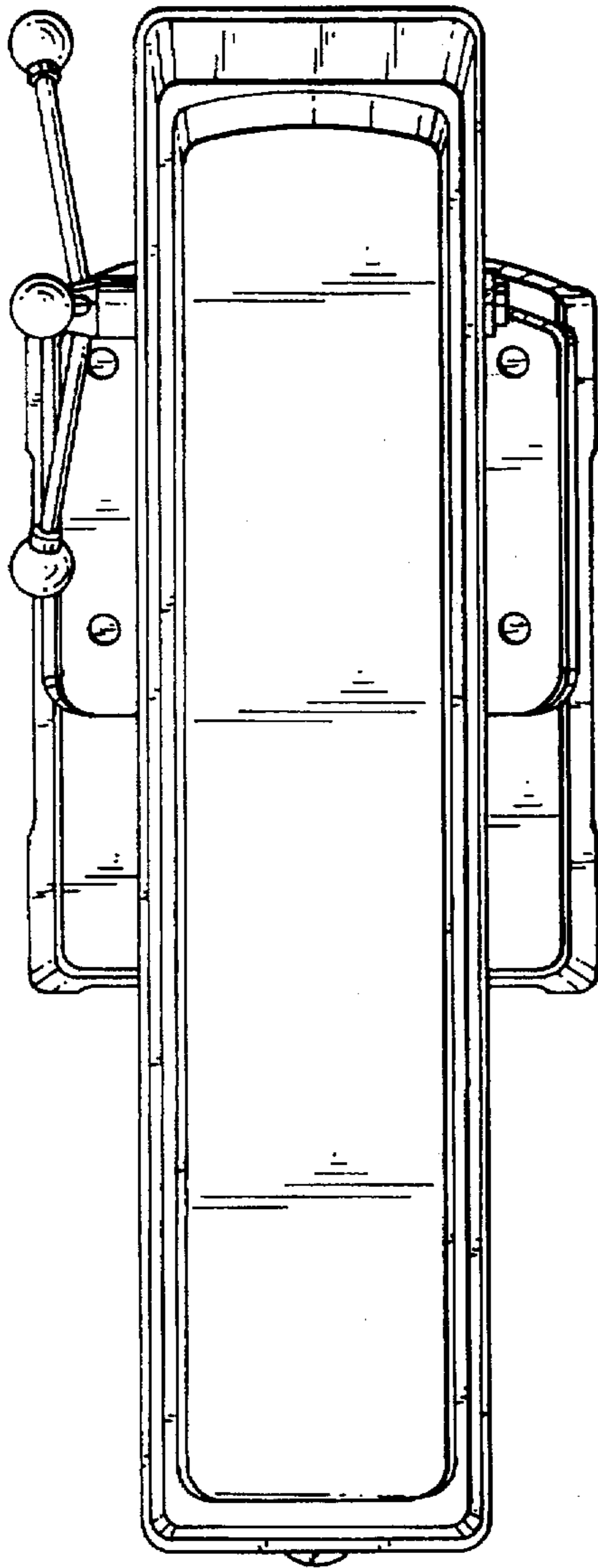


FIG. 7

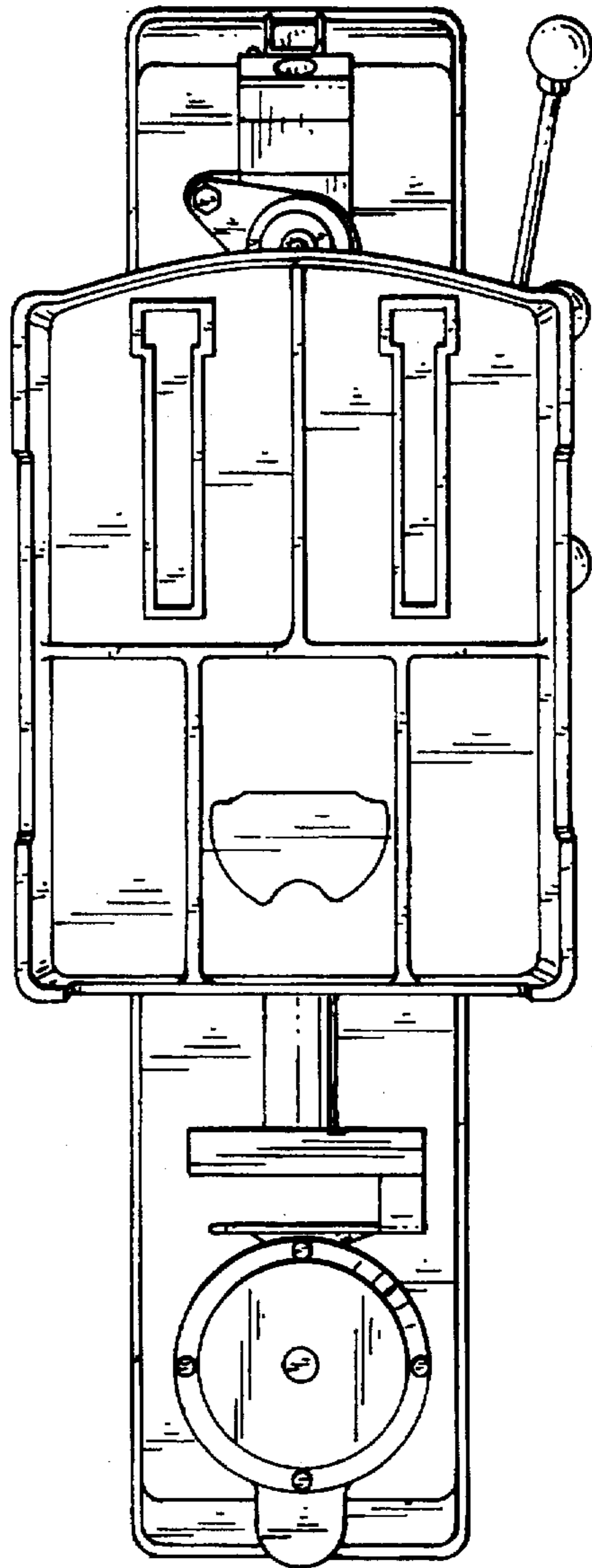


FIG. 6