



US00D393647S

# United States Patent [19]

Garrard et al.

[11] Patent Number: **Des. 393,647**

[45] Date of Patent: **\*\*Apr. 21, 1998**

[54] **PRESSURE REGULATOR**

[76] Inventors: **James H. Garrard**, 2008 Brookcreek La., Kirkwood, Mo. 63122-2255;  
**Steven M. Matussek**, 9800 W. 121st Ter., Overland Park, Kans. 66213

[\*\*] Term: **14 Years**

[21] Appl. No.: **46,089**

[22] Filed: **Nov. 7, 1995**

[51] LOC (6) Cl. .... **15-02**

[52] U.S. Cl. .... **D15/5**

[58] Field of Search ..... D15/5; 137/505,  
137/505.29, 505.26, 246.12, 212

[56] **References Cited**

**U.S. PATENT DOCUMENTS**

D. 85,514 11/1931 Critchlow ..... D15/5

D. 291,807 9/1987 Yew et al. .... D15/5  
D. 370,017 5/1996 Tsai ..... D15/5  
1,821,189 9/1931 Meinker et al. .... 137/505  
3,989,061 11/1976 Pelton ..... 137/505

*Primary Examiner*—Ralf Seifert

[57] **CLAIM**

The ornamental design for a pressure regulator, as shown.

**DESCRIPTION**

FIG. 1 is a front view of a pressure regulator showing our new design;

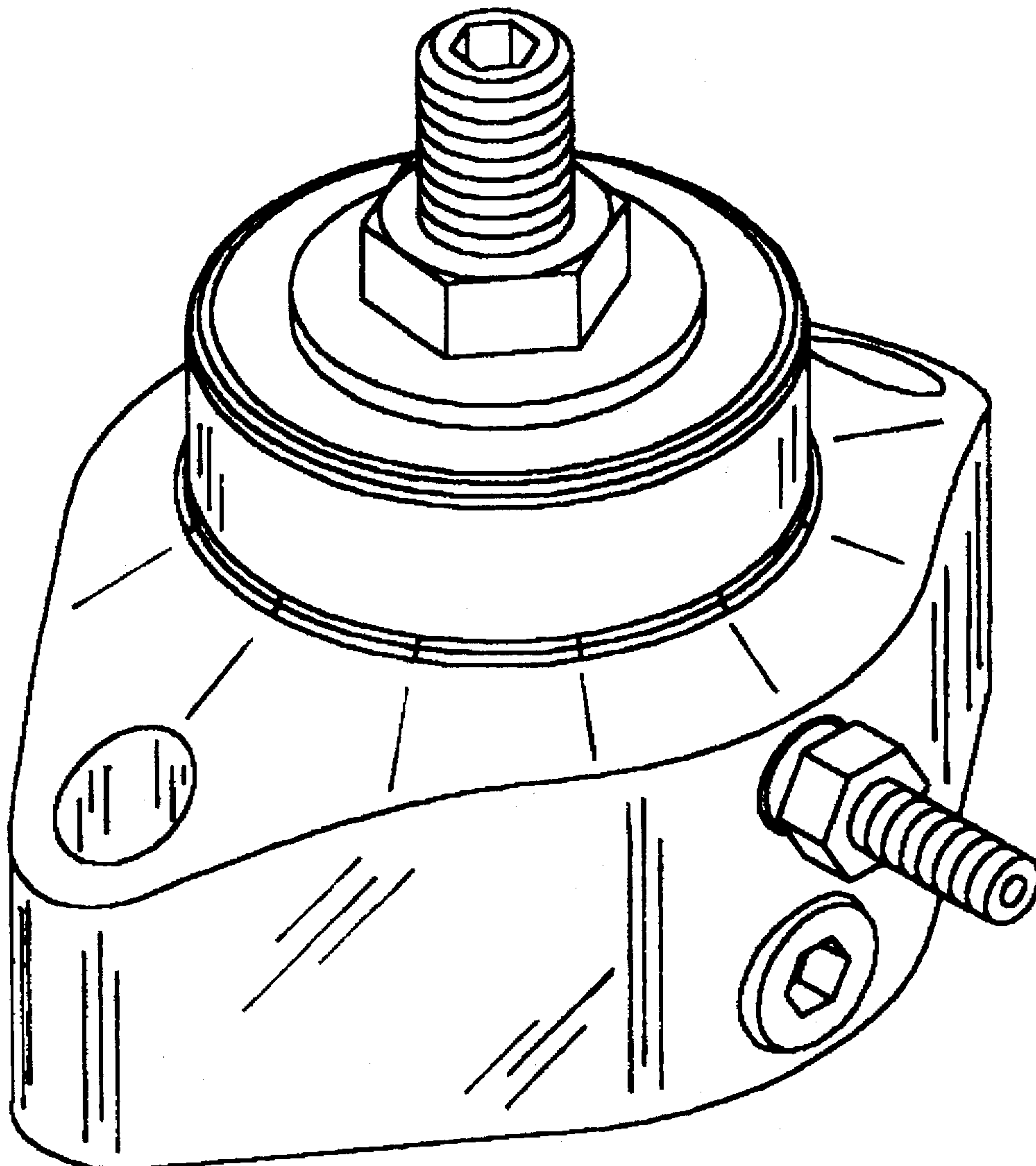
FIG. 2 is a top view thereof;

FIG. 3 is a side view thereof;

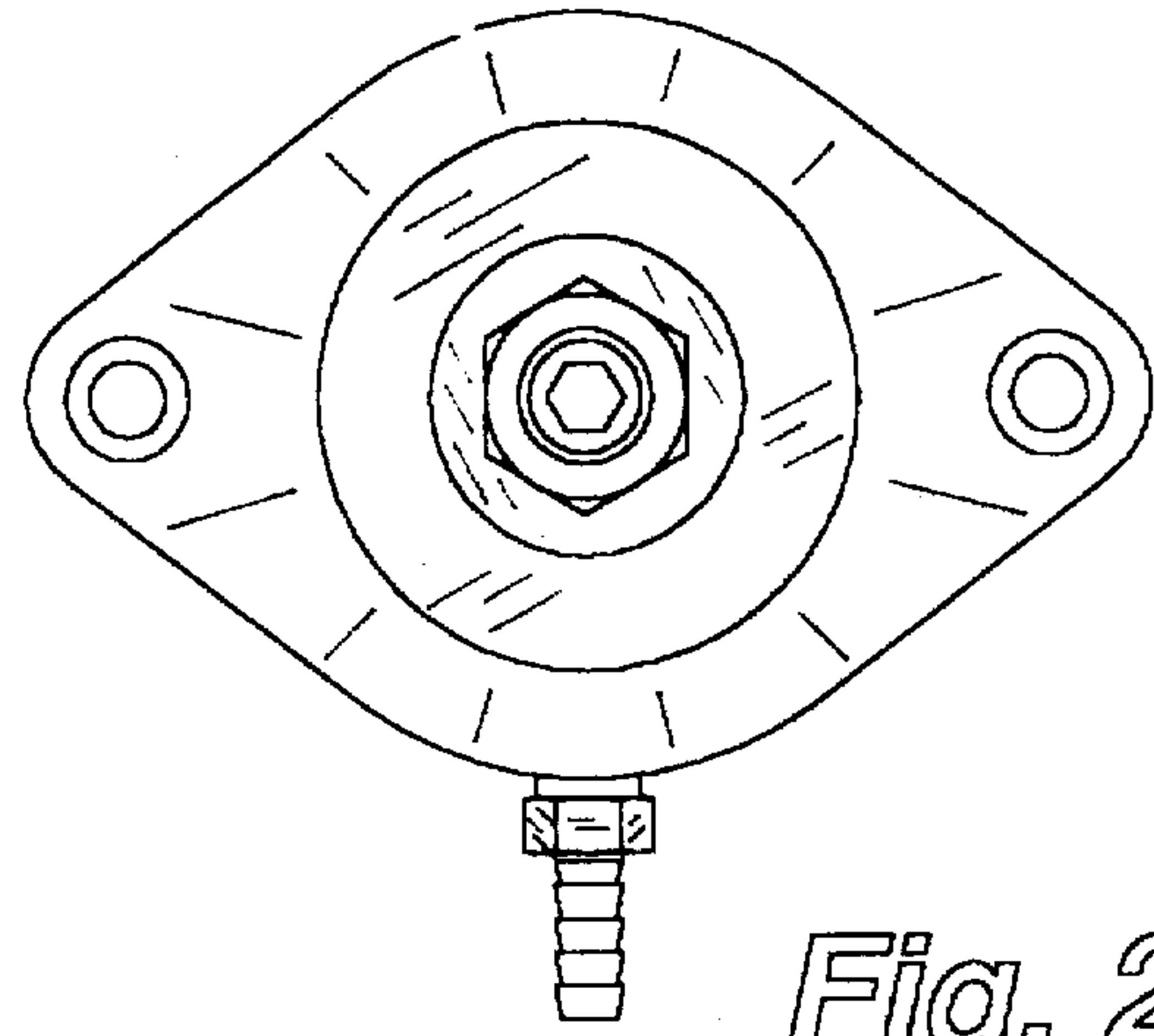
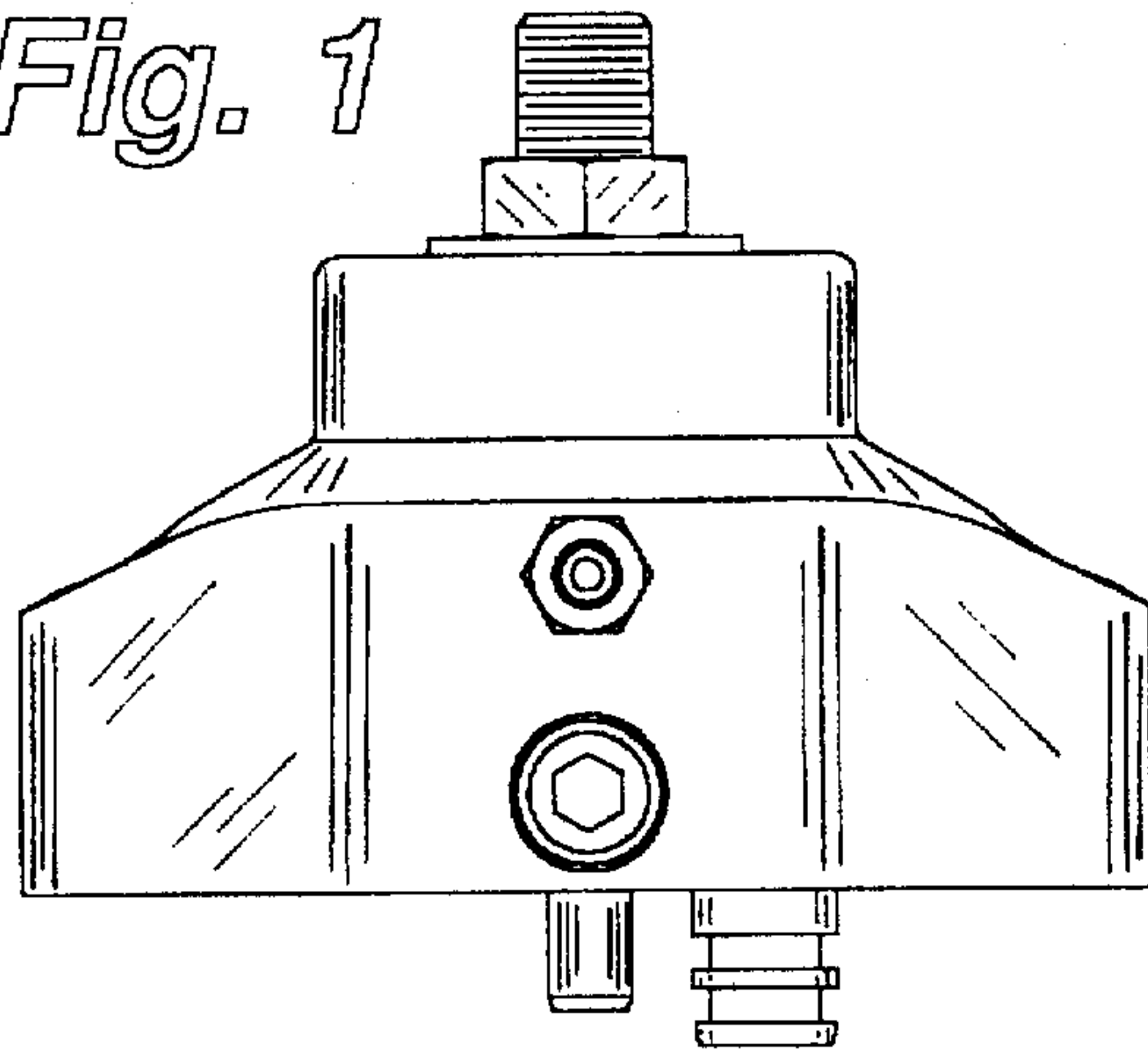
FIG. 4 is a bottom view thereof; and,

FIG. 5 is an isometric view thereof.

**1 Claim, 1 Drawing Sheet**

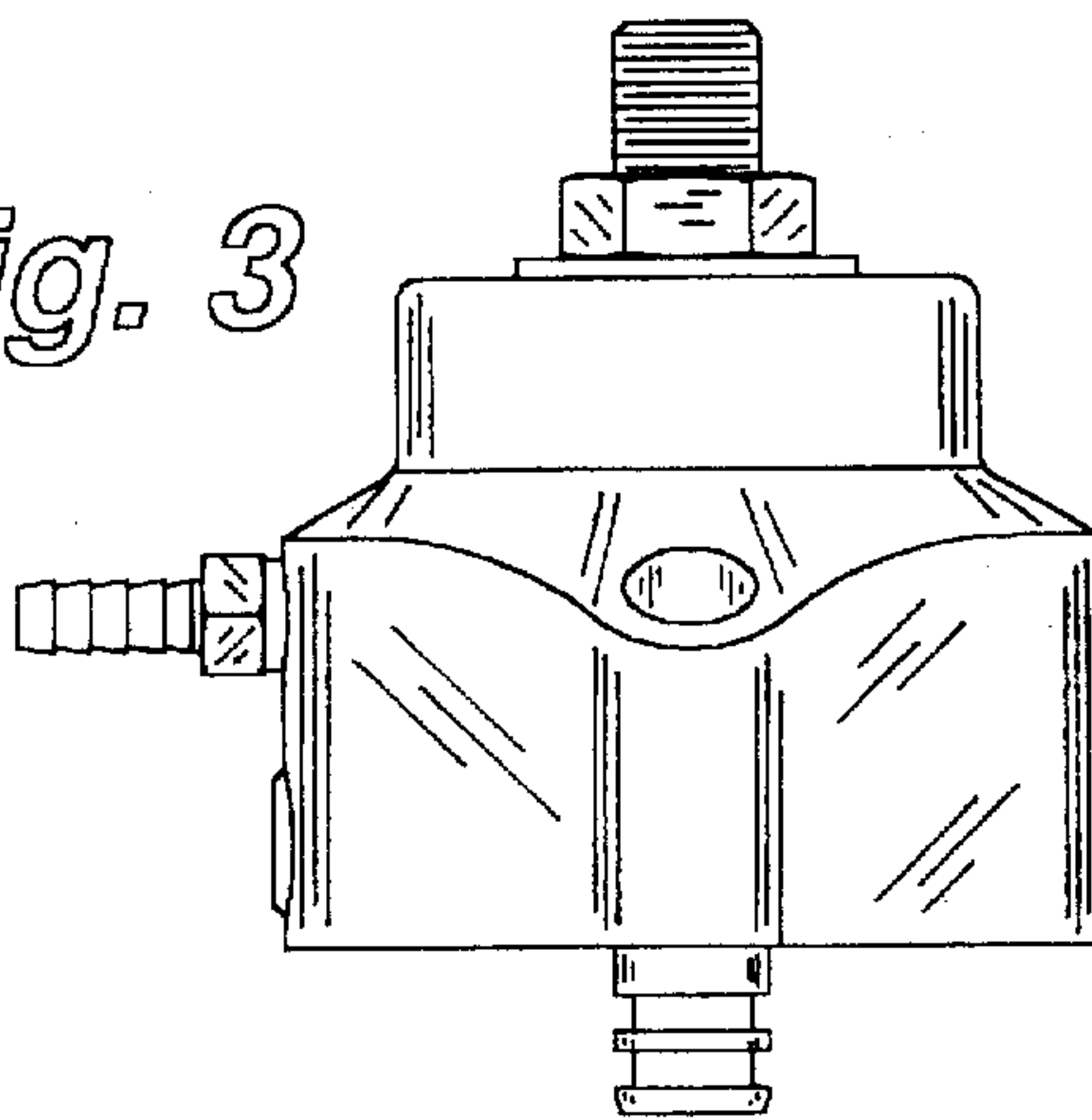


*Fig. 1*

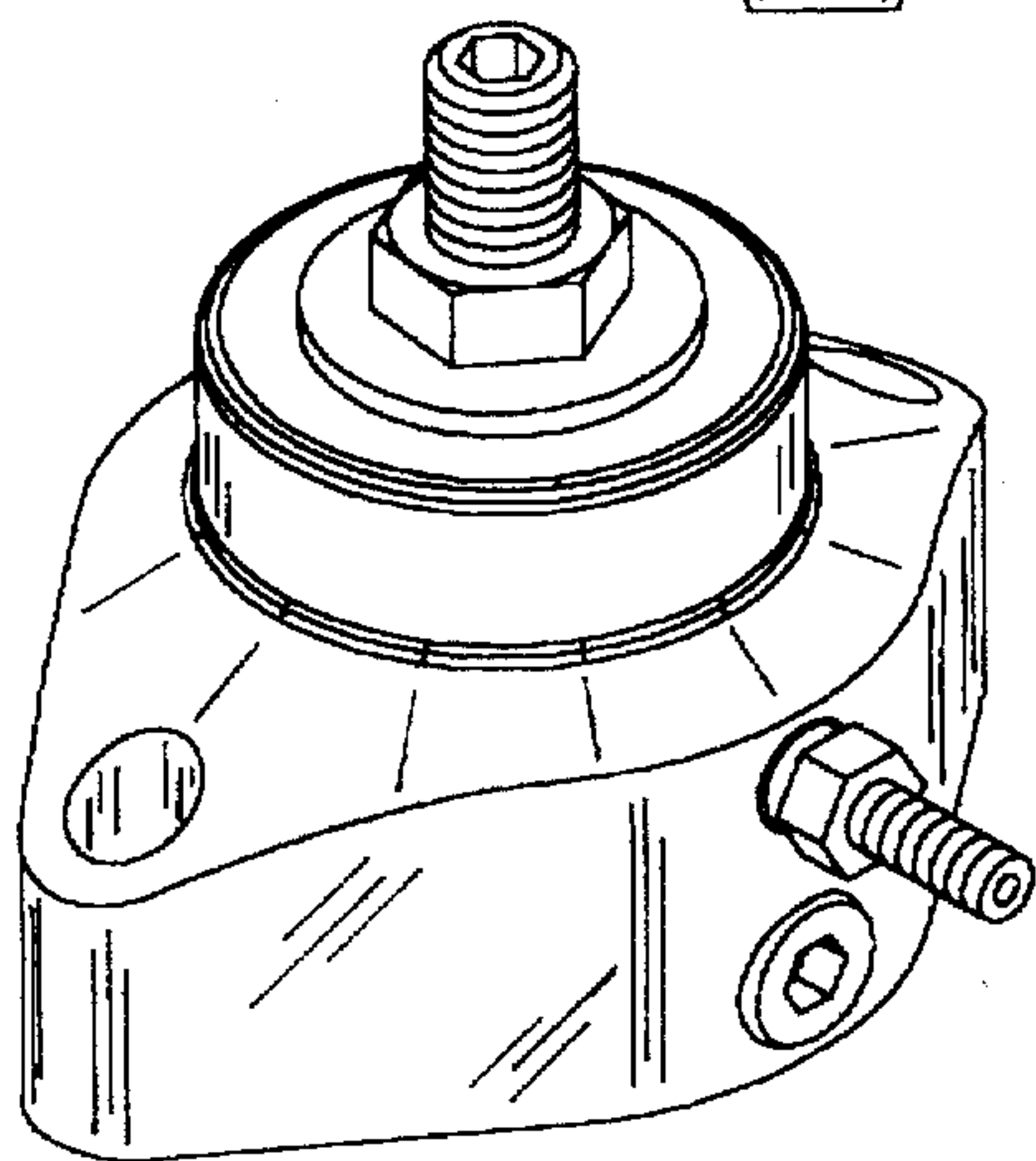
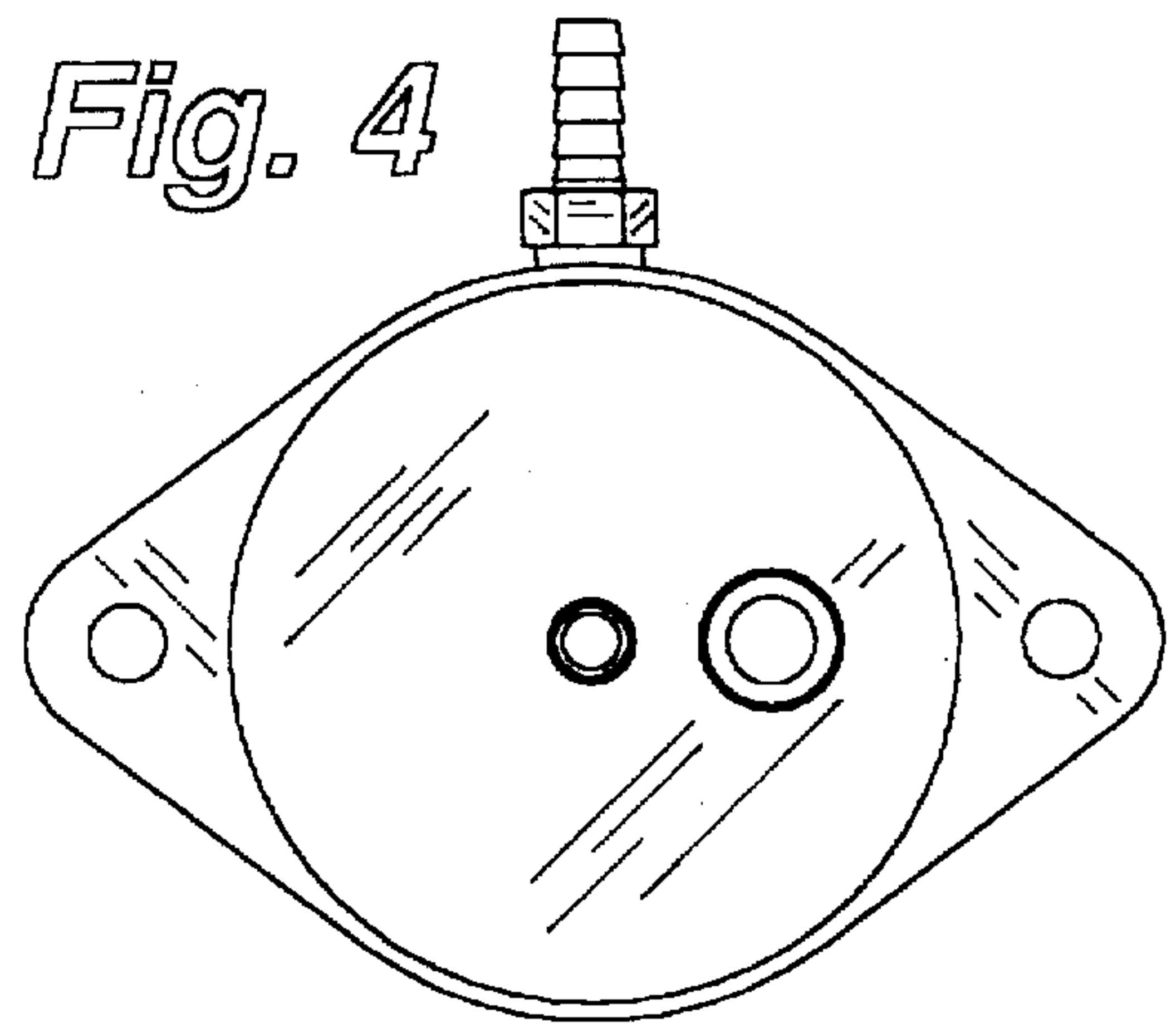


*Fig. 2*

*Fig. 3*



*Fig. 4*



*Fig. 5*