



US00D393644S

# United States Patent [19]

Cho et al.

[11] Patent Number: **Des. 393,644**

[45] Date of Patent: **\*\*Apr. 21, 1998**

[54] **HOUSING FOR A WIRELESS BASE STATION**

[75] Inventors: **Gihyun Cho**, Franklin Lakes; **Richard Sander Costa**, Piscataway; **Frank Vernon Gates**, Roxbury Township, Morris County; **Behzad Davachi Mottahed**, Upper Montclair, all of N.J.; **Daniella Ruth Rubinovitz**, New York, N.Y.

[73] Assignee: **Lucent Technologies Inc.**, Murray Hill, N.J.

[\*\*] Term: **14 Years**

[21] Appl. No.: **63,049**

[22] Filed: **Nov. 25, 1996**

[51] LOC (6) Cl. .... **14-03**

[52] U.S. Cl. .... **D14/240**

[58] Field of Search ..... D14/140, 142, D14/149, 240, 256, 100, 107, 114, 155, 159, 137, 242, 188, 198; D13/147, 152, 184, 164; 379/419, 420, 428, 440, 441, 442, 399, 418; 361/823, 724; 174/52.1, 59, 52.3, 53; 385/134, 135; 439/412, 417, 709; 455/347, 90, 561, 436, 550; 375/211, 222; D10/104

[56] **References Cited**

**U.S. PATENT DOCUMENTS**

D. 116,170 8/1939 Rittenhouse ..... D10/104

D. 340,242	10/1993	Kurtz	.....	D14/137 X
D. 341,587	11/1993	Larson et al.	.....	D14/137
D. 346,606	5/1994	Harris et al.	.....	D14/256 X
D. 365,807	1/1996	Chen	.....	D14/107
D. 369,149	4/1996	Chang et al.	.....	D14/107
D. 369,170	4/1996	Beaumont et al.	.....	D14/240
D. 370,667	6/1996	Chen et al.	.....	D14/107
D. 373,316	9/1996	Walters	.....	D10/104
D. 378,912	4/1997	Oikawa	.....	D13/147
D. 381,647	7/1997	Terng	.....	D14/100 X

*Primary Examiner*—Jeffrey Asch  
*Attorney, Agent, or Firm*—Lester H. Birnbaum

[57] **CLAIM**

The ornamental design for a housing for a wireless base station, as shown and described.

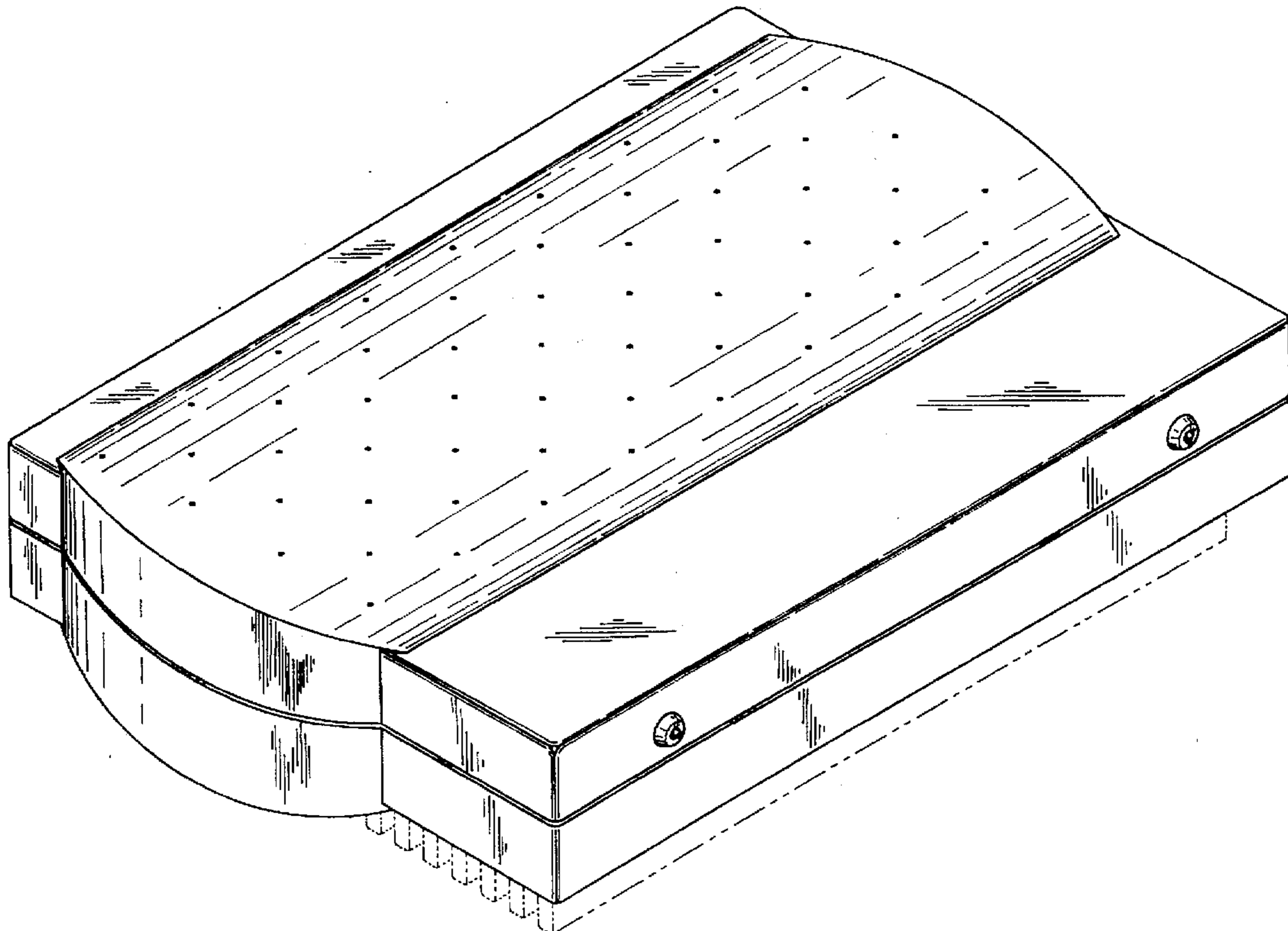
**DESCRIPTION**

FIG. 1 is a perspective view of a housing for a wireless base station;  
FIG. 2 is a frontal view of the housing;  
FIG. 3 is a right side view of the housing;  
FIG. 4 is a top view of the housing;  
FIG. 5 is a left side view of the housing; and,  
FIG. 6 is a bottom view of the housing.

The matter shown in broken lines is for illustrative purposes only.

The rear surface obscured by the broken line disclosure is not considered to be a part of the claimed design.

**1 Claim, 3 Drawing Sheets**



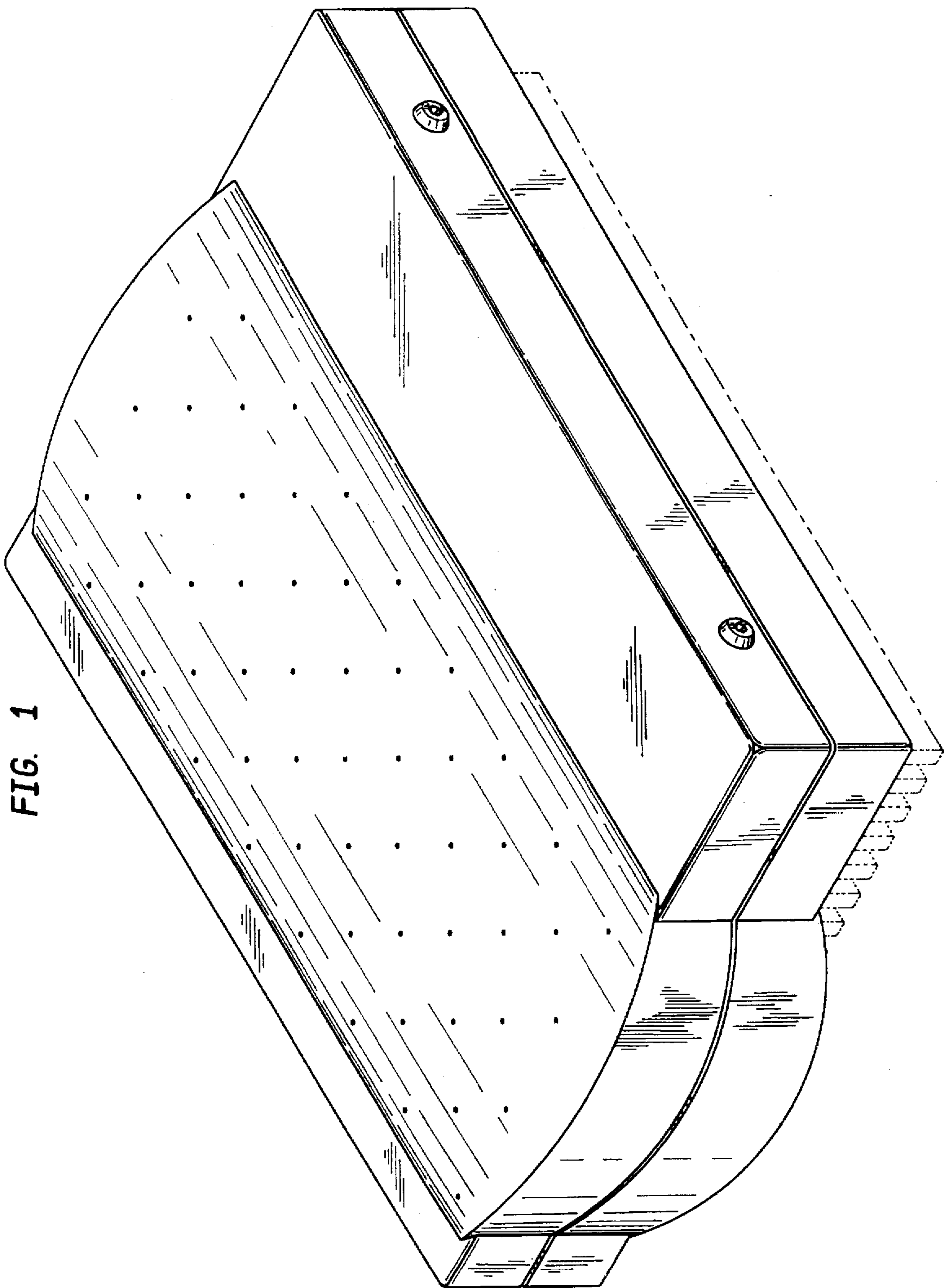


FIG. 1

FIG. 2

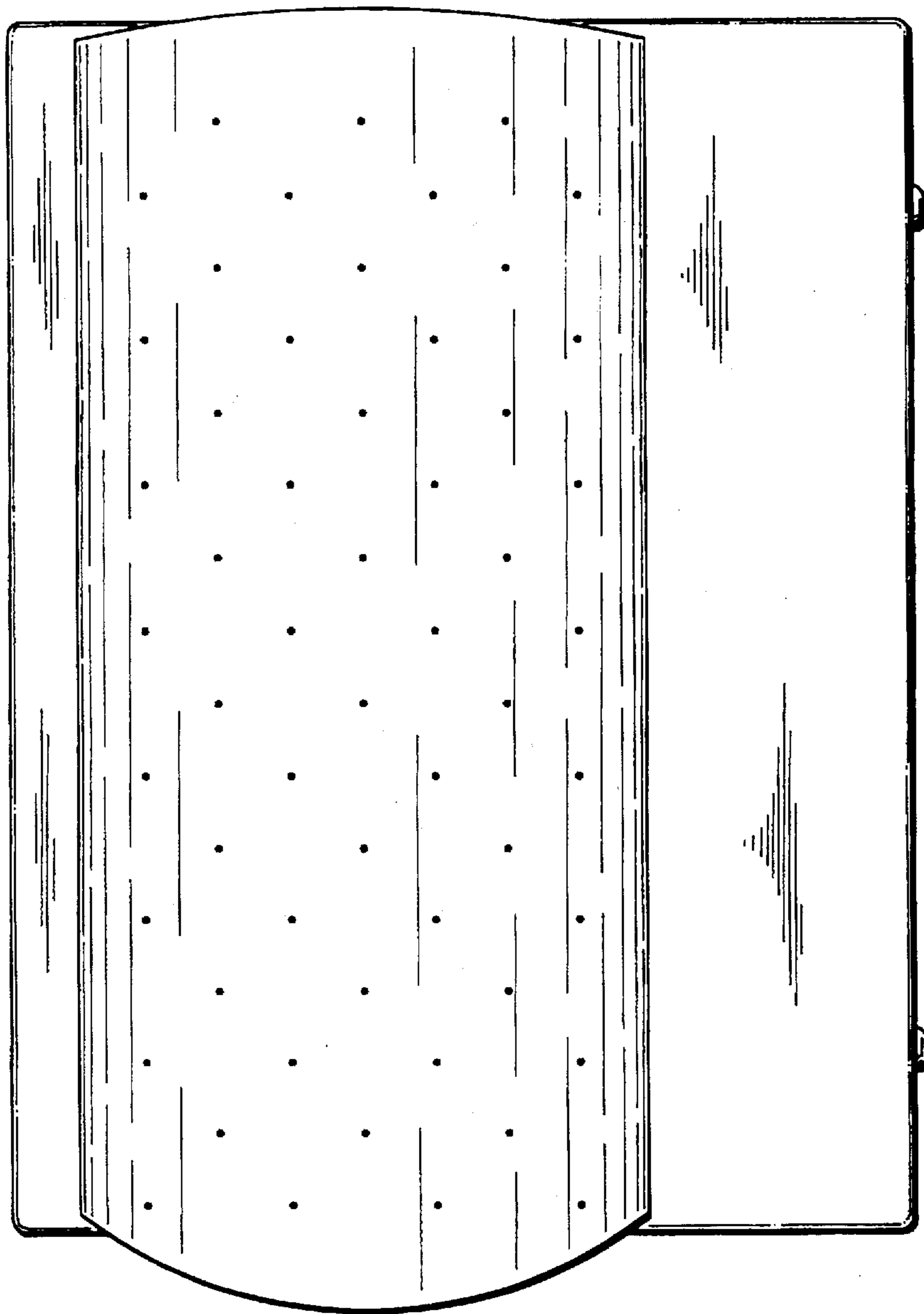


FIG. 3

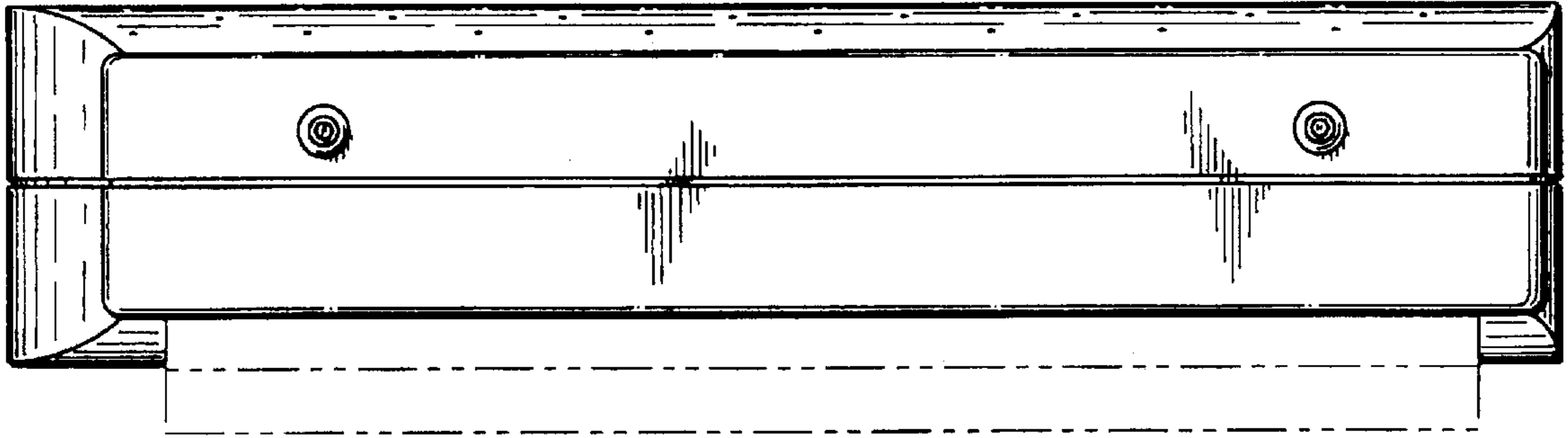


FIG. 4

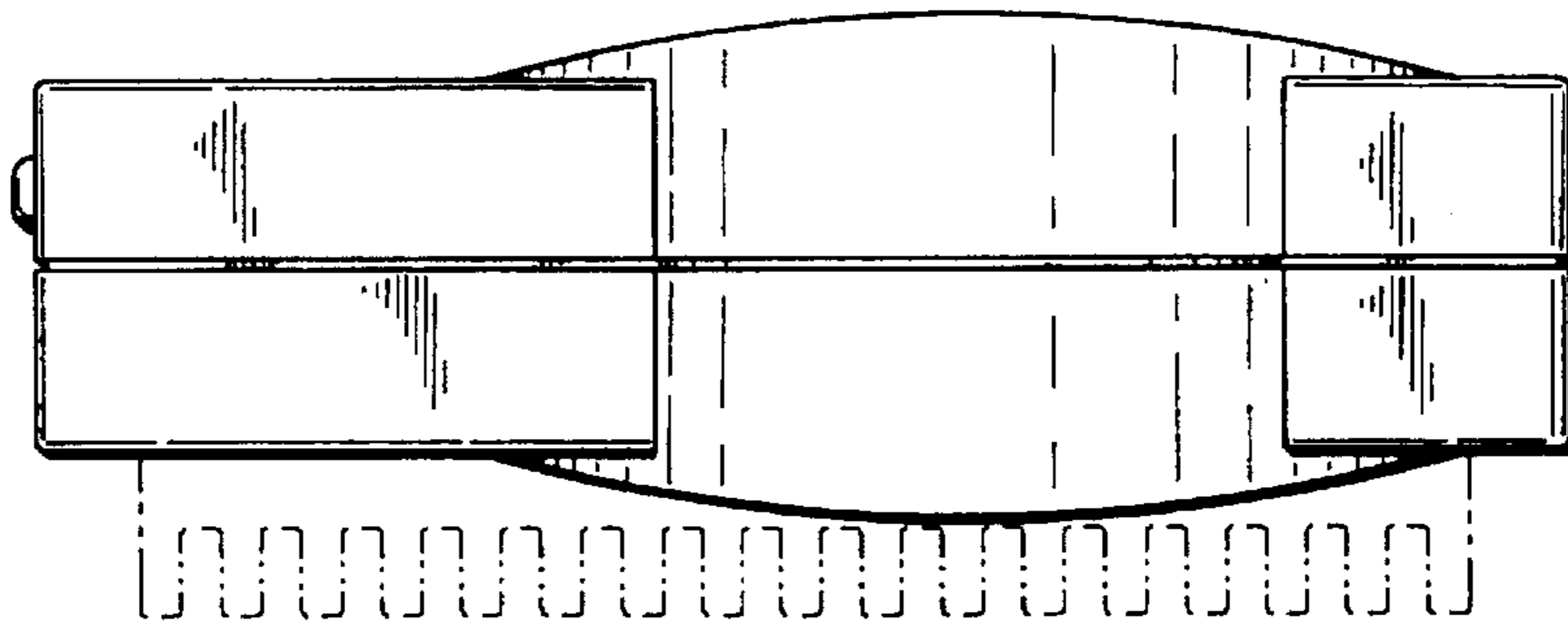


FIG. 5

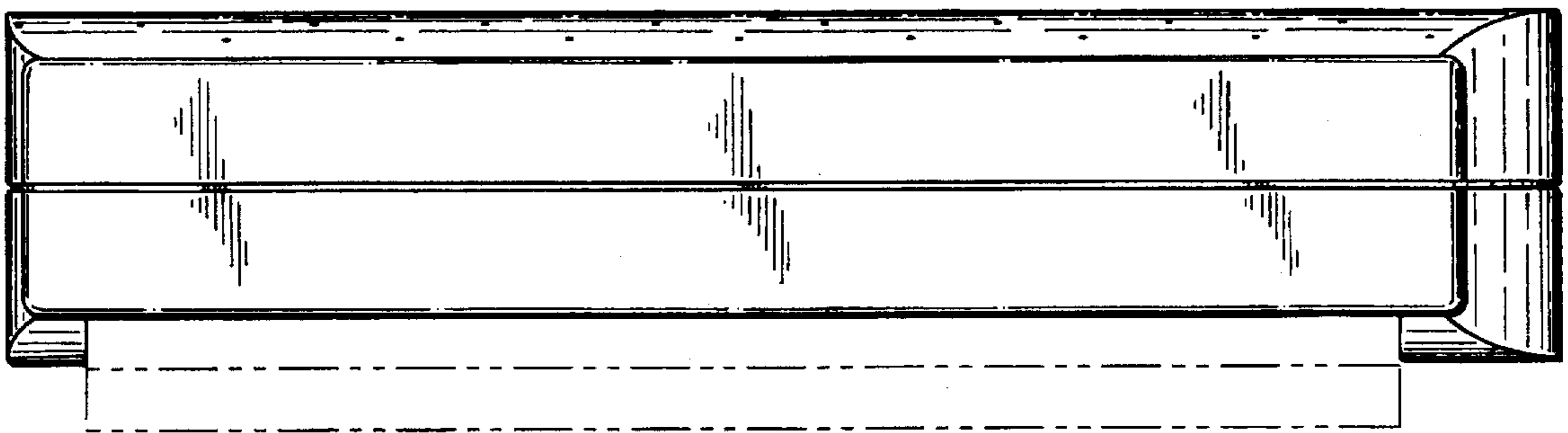


FIG. 6

