



US00D393643S

# United States Patent [19] Chiang

[11] Patent Number: Des. 393,643

[45] Date of Patent: \*\*\*Apr. 21, 1998

[54] **COMBINED MICROPHONE AND STAND**

[76] Inventor: **Chun-Lung Chiang**, P.O. Box 82-144,  
Taipei, Taiwan

[\*] Notice: The portion of the term of this patent  
subsequent to Nov. 19, 2010, has been  
disclaimed.

[\*\*] Term: **14 Years**

[21] Appl. No.: **58,867**

[22] Filed: **Aug. 27, 1996**

[51] LOC (6) Cl. .... **14-01**

[52] U.S. Cl. .... **D14/227; D14/228**

[58] Field of Search ..... D14/206, 223-229,  
D14/299; 181/158, 242; 248/357, 910;  
379/430-431, 444; 381/91, 122, 168, 169

[56] **References Cited**

**U.S. PATENT DOCUMENTS**

- D. 221,230 7/1971 Deschamps ..... D14/227
- D. 313,802 1/1991 Peiker ..... D14/229 X
- D. 335,671 5/1993 Yang ..... D14/227
- D. 357,481 4/1995 Giuntoli et al. .... D14/227

- D. 365,564 12/1995 Luther et al. .... D14/228 X
- D. 368,719 4/1996 Luther ..... D14/228
- D. 375,749 11/1996 Chiang ..... D14/227
- 4,361,737 11/1982 Peterson ..... 381/168

*Primary Examiner*—Ted Shooman  
*Assistant Examiner*—Nanda Bondade  
*Attorney, Agent, or Firm*—A & J

[57] **CLAIM**

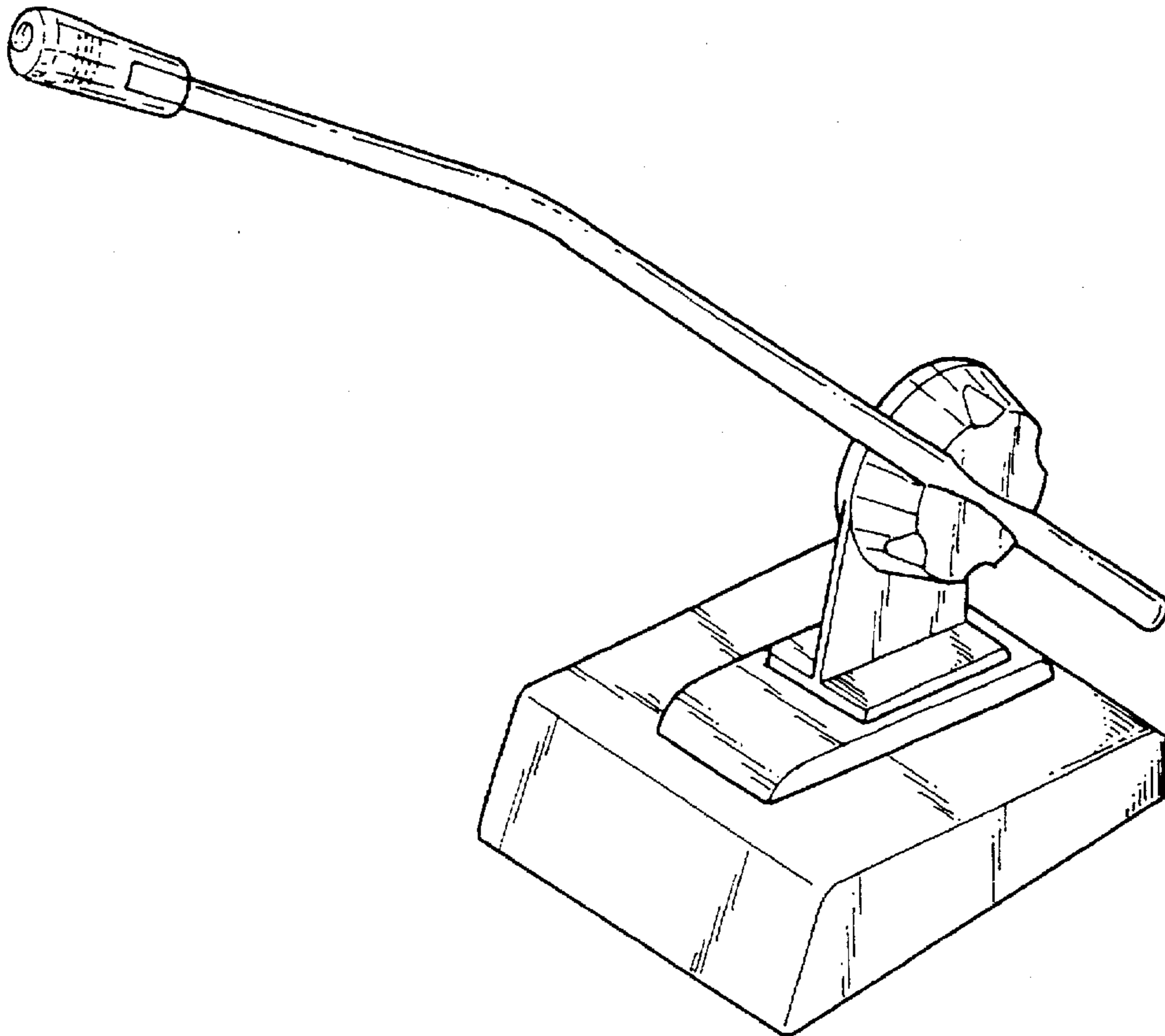
The ornamental design for a combined microphone and stand, as shown and described.

**DESCRIPTION**

FIG. 1 is a perspective view of combined microphone and stand showing my new design;  
FIG. 2 is a front view thereof;  
FIG. 3 is a rear view thereof;  
FIG. 4 is a left side elevational view thereof;  
FIG. 5 is a right side elevational view thereof;  
FIG. 6 is a top plan view thereof; and,  
FIG. 7 is a bottom plan view thereof.

The broken line showing on FIGS. 1-7 is for illustrative purposes only and forms on part of the claimed design.

**1 Claim, 4 Drawing Sheets**



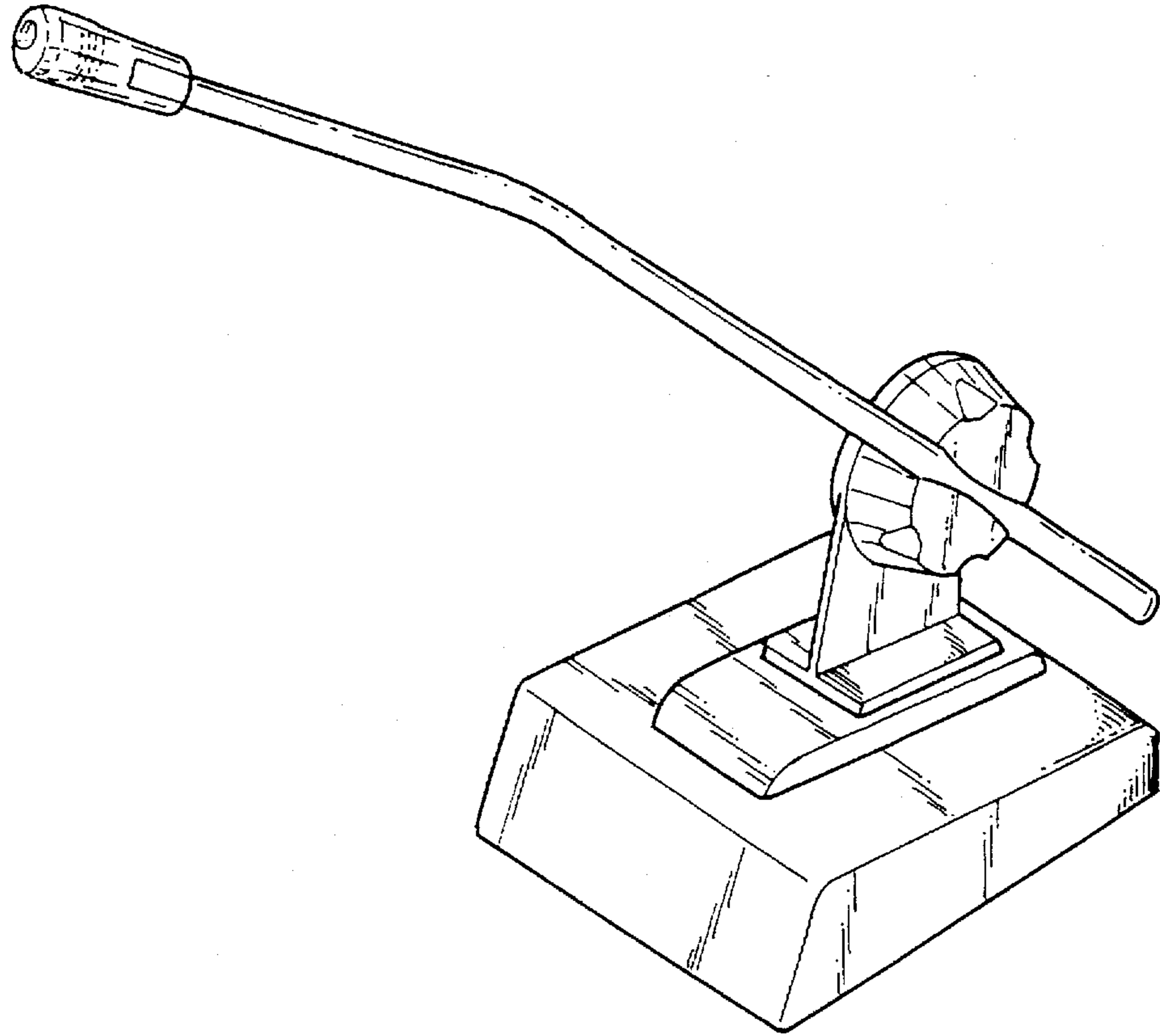


FIG. 1

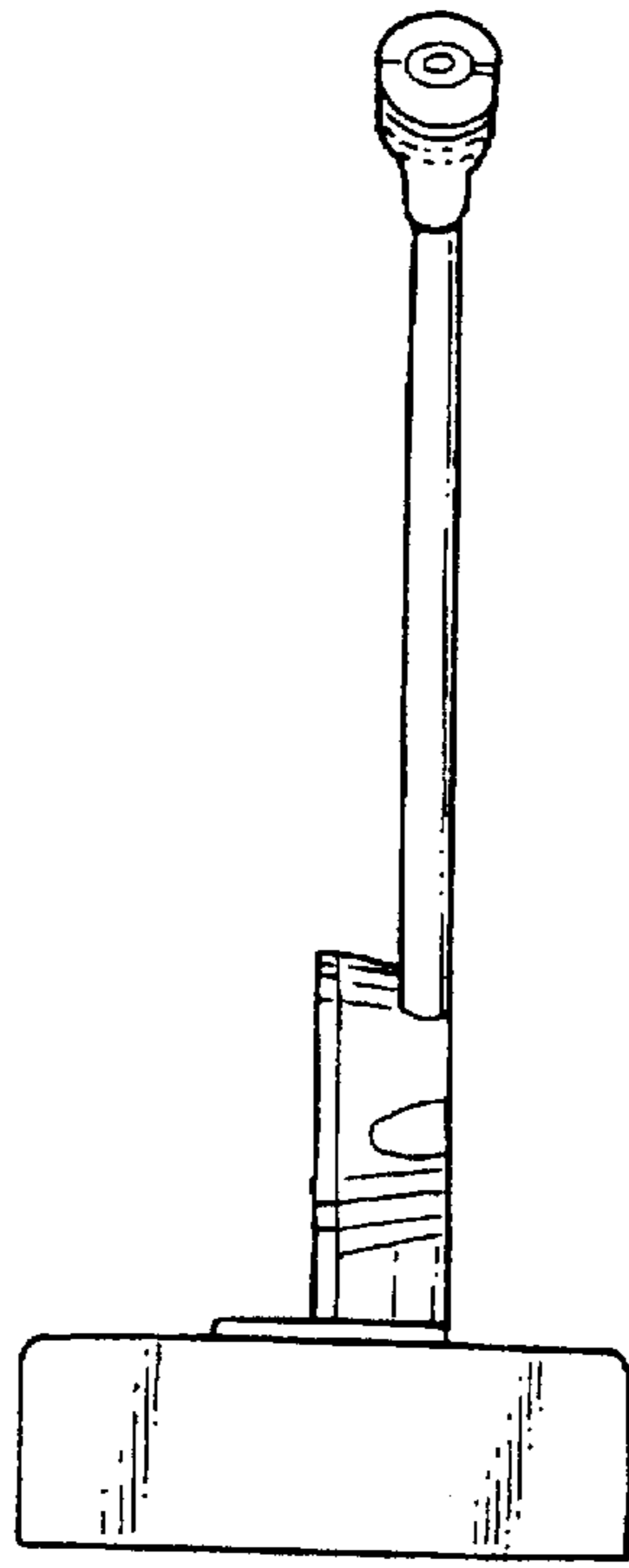


FIG. 2

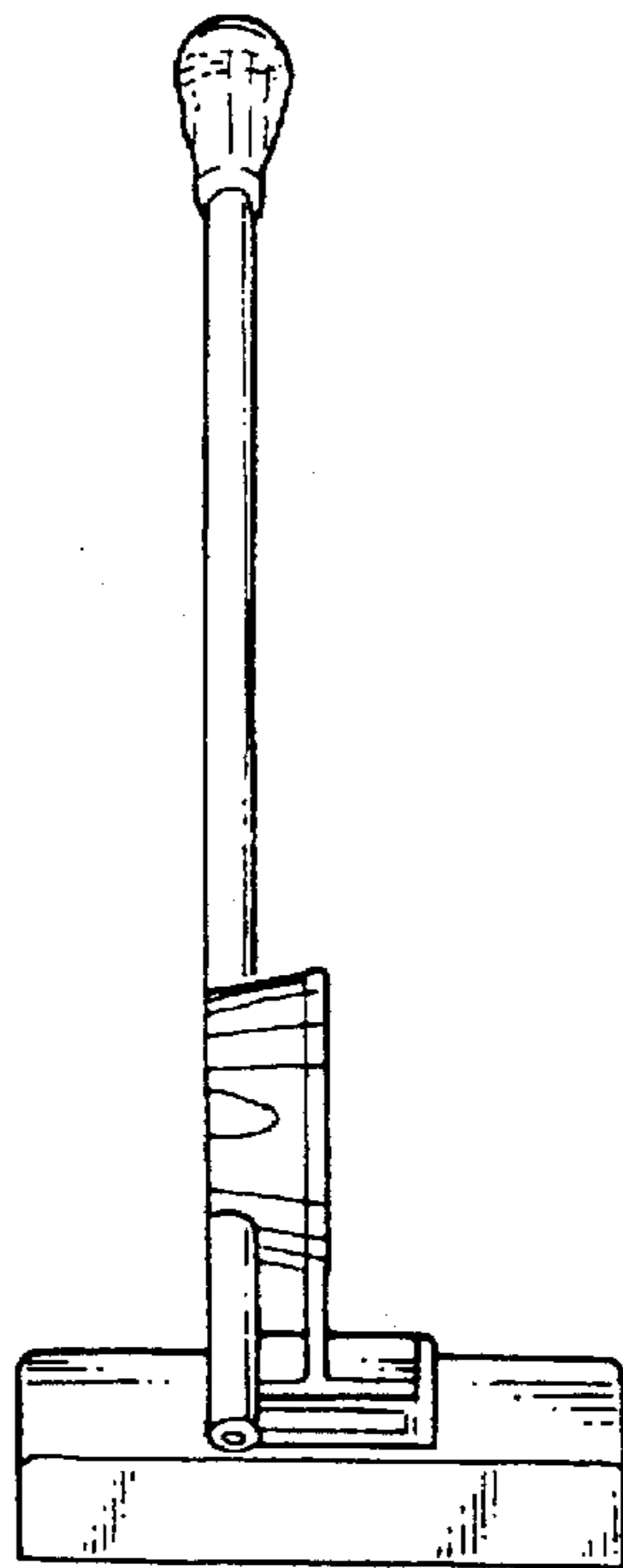


FIG. 3

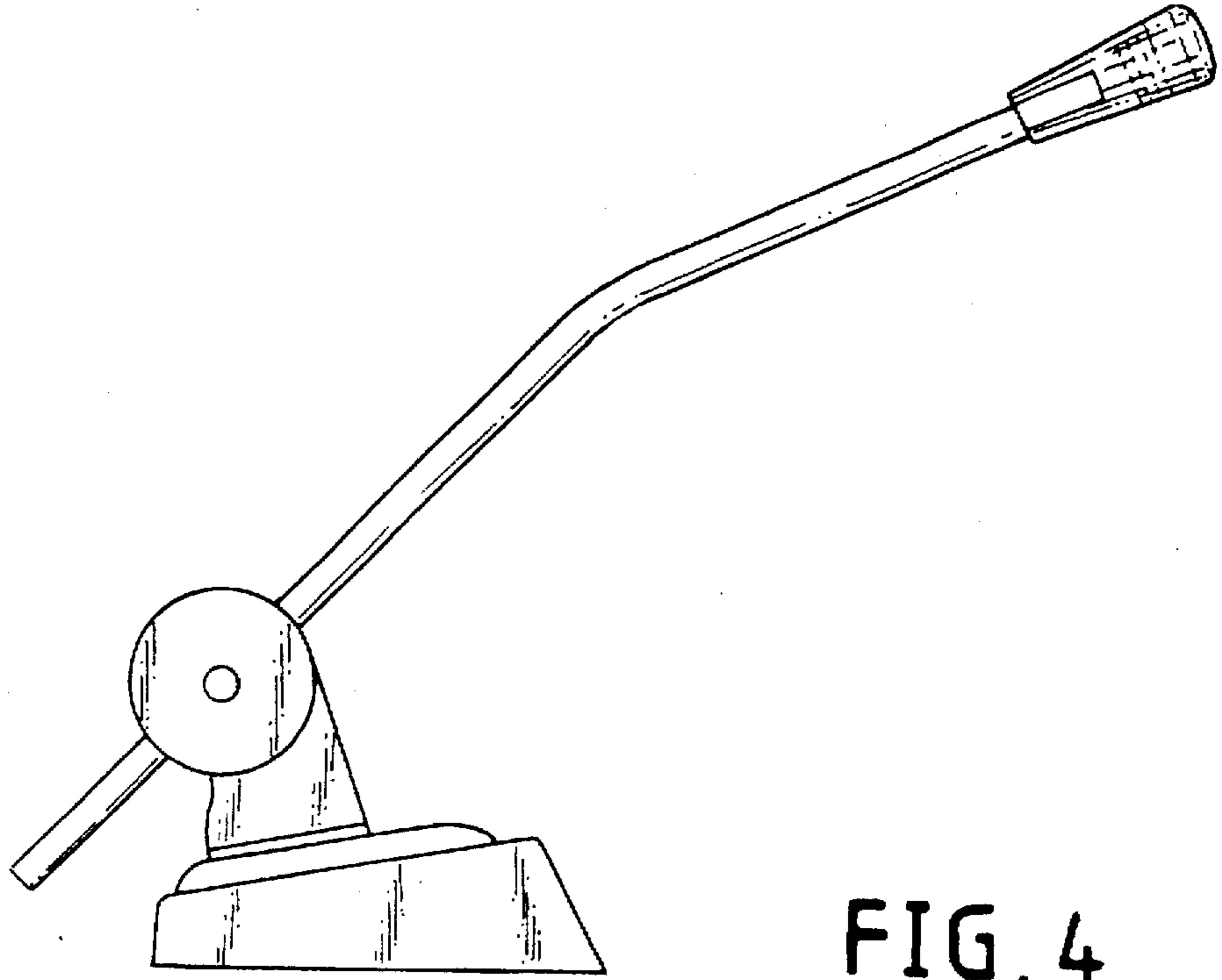


FIG. 4

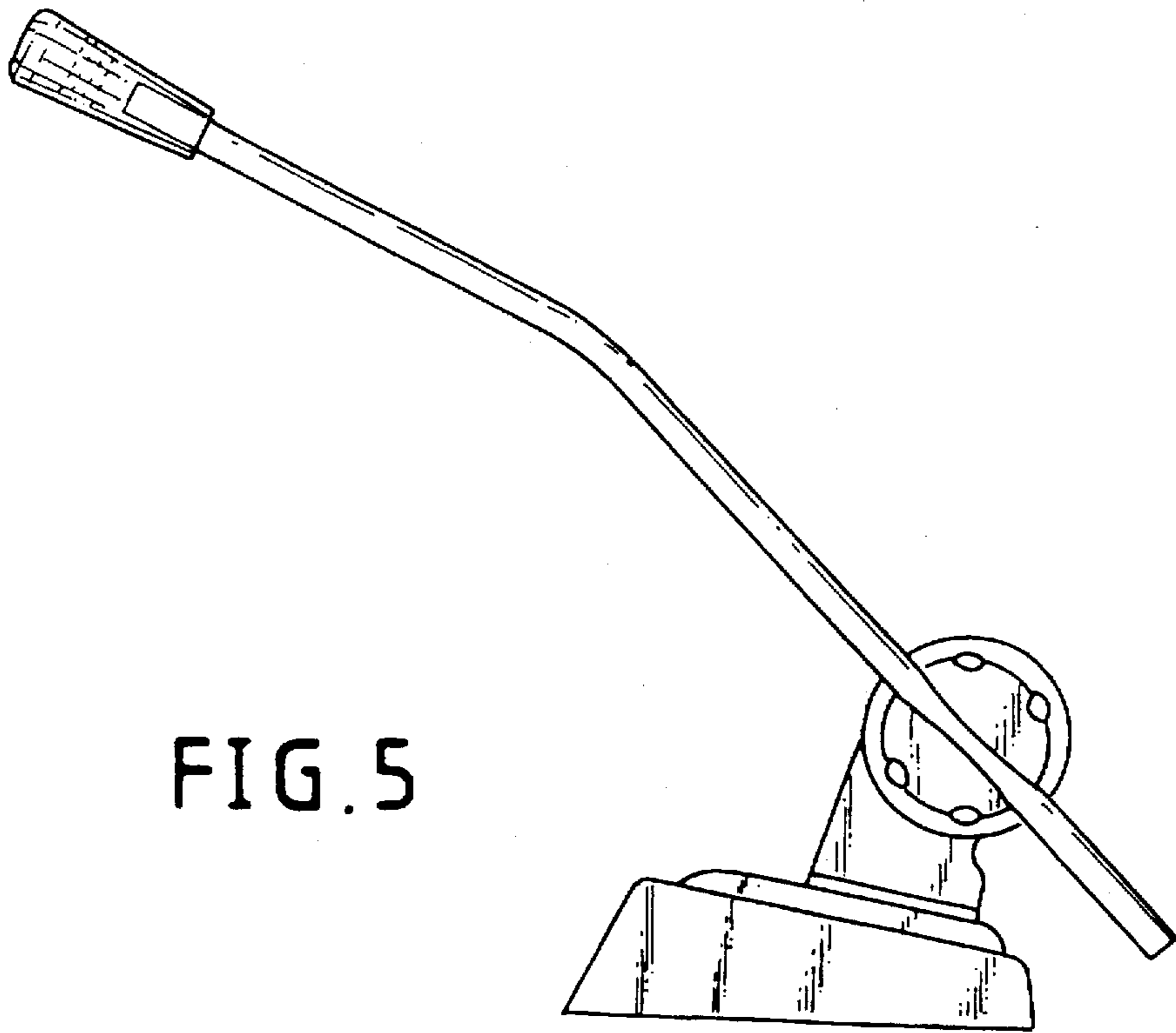


FIG. 5

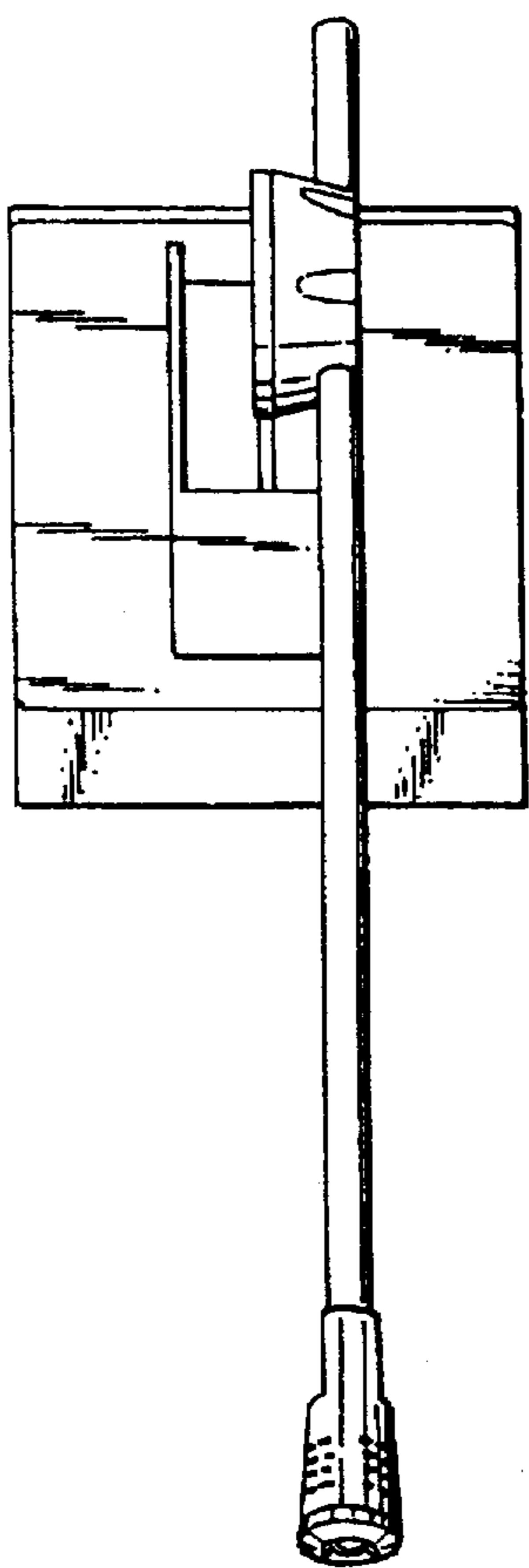


FIG. 6

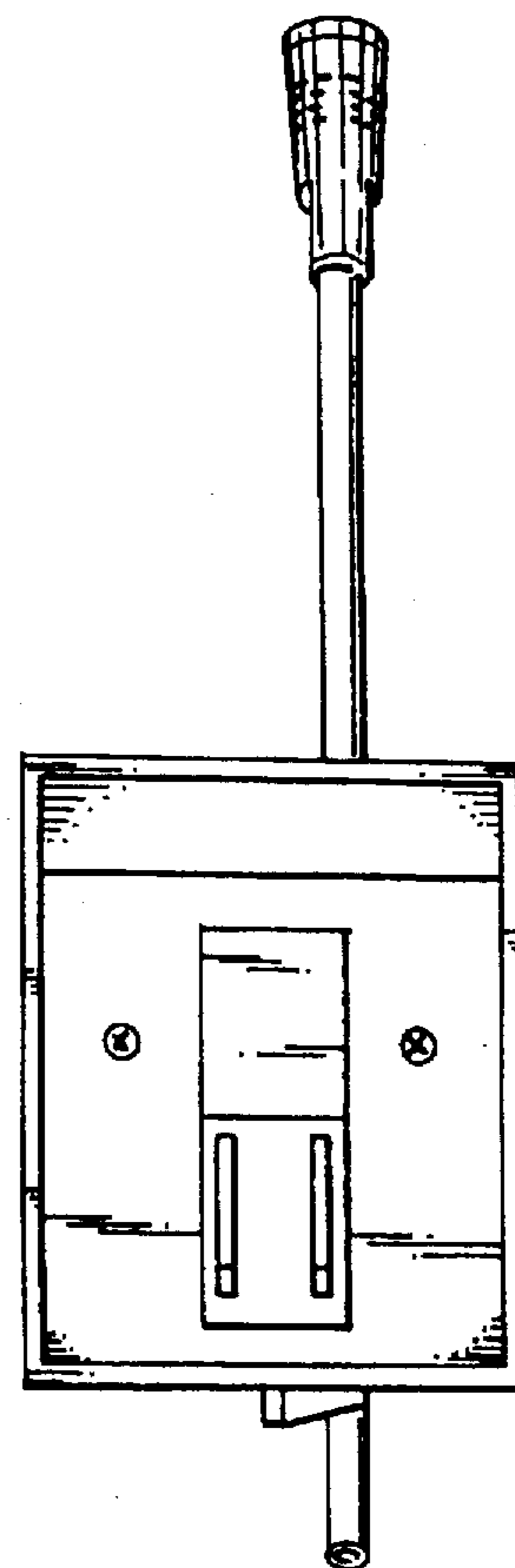


FIG. 7