



US00D393642S

United States Patent [19]

Yuyama

[11] Patent Number: Des. 393,642

[45] Date of Patent: **Apr. 21, 1998

[54] **SPEAKER BOX**

[75] Inventor: **Yasuo Yuyama**, Tokyo, Japan

[73] Assignee: **Sony Corporation**, Tokyo, Japan

[**] Term: **14 Years**

[21] Appl. No.: **64,436**

[22] Filed: **Dec. 31, 1996**

[51] LOC (6) Cl. **14-01**

[52] U.S. Cl. **D14/216; D14/215**

[58] Field of Search D14/204, 207-216,
D14/219; 181/144, 145, 147, 148, 150,
152, 153, 157, 198, 199; 381/24, 88, 90,
153, 159, 186, 188, 203, 205

[56] **References Cited**

U.S. PATENT DOCUMENTS

D. 223,580	5/1972	Richards	D14/215
D. 360,418	7/1995	Spynda	D14/208 X
D. 372,917	8/1996	Kobayashi	D14/214
2,896,737	7/1959	Gellman	181/153
5,218,176	6/1993	Meyer, Jr.	181/199

OTHER PUBLICATIONS

Crutchfield, summer 1994, p. 43, Kenwood Tube-Style Subwoofers, model No. KSC-W800.

Primary Examiner—Ted Shooman

Assistant Examiner—Nanda Bondade

Attorney, Agent, or Firm—Foley & Lardner

[57] **CLAIM**

The ornamental design for a speaker box, as shown and described.

DESCRIPTION

FIG. 1 is a perspective view of a first embodiment of a speaker box showing my new design;

FIG. 2 is a top plan view thereof;

FIG. 3 is a left side elevational view thereof;

FIG. 4 is a front elevational view thereof;

FIG. 5 is a bottom plan view thereof;

FIG. 6 is a right side elevational view thereof;

FIG. 7 is a rear elevational view thereof;

FIG. 8 is a perspective view of a second embodiment of a speaker box showing my new design;

FIG. 9 is a top plan view of the embodiment of FIG. 8;

FIG. 10 is a left side elevational view of the embodiment of FIG. 8;

FIG. 11 is a front elevational view of the embodiment of FIG. 8;

FIG. 12 is a bottom plan view of the embodiment of FIG. 8;

FIG. 13 is a right side elevational view of the embodiment of FIG. 8; and,

FIG. 14 is a rear elevational view of the embodiment of FIG. 8.

1 Claim, 6 Drawing Sheets

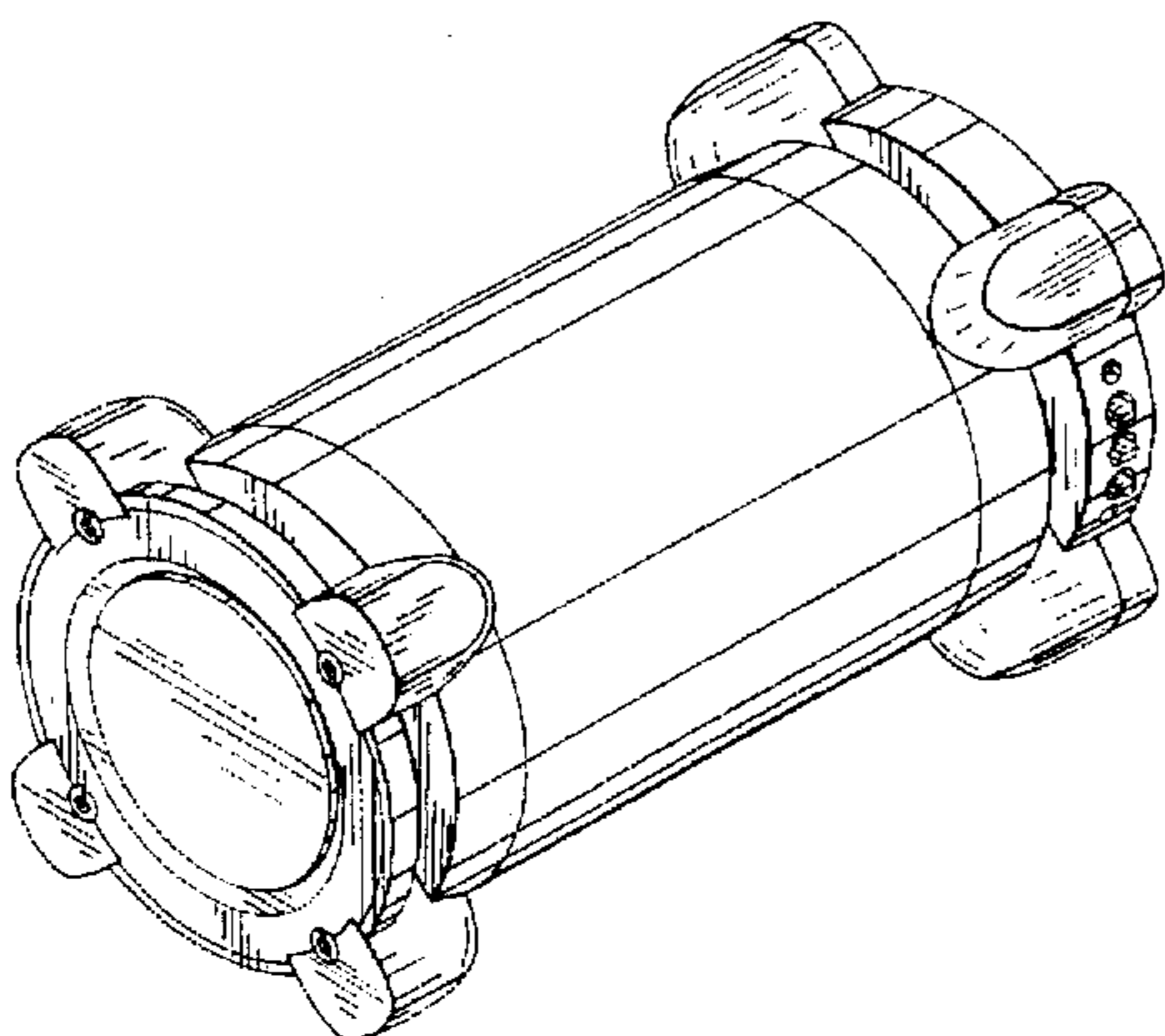
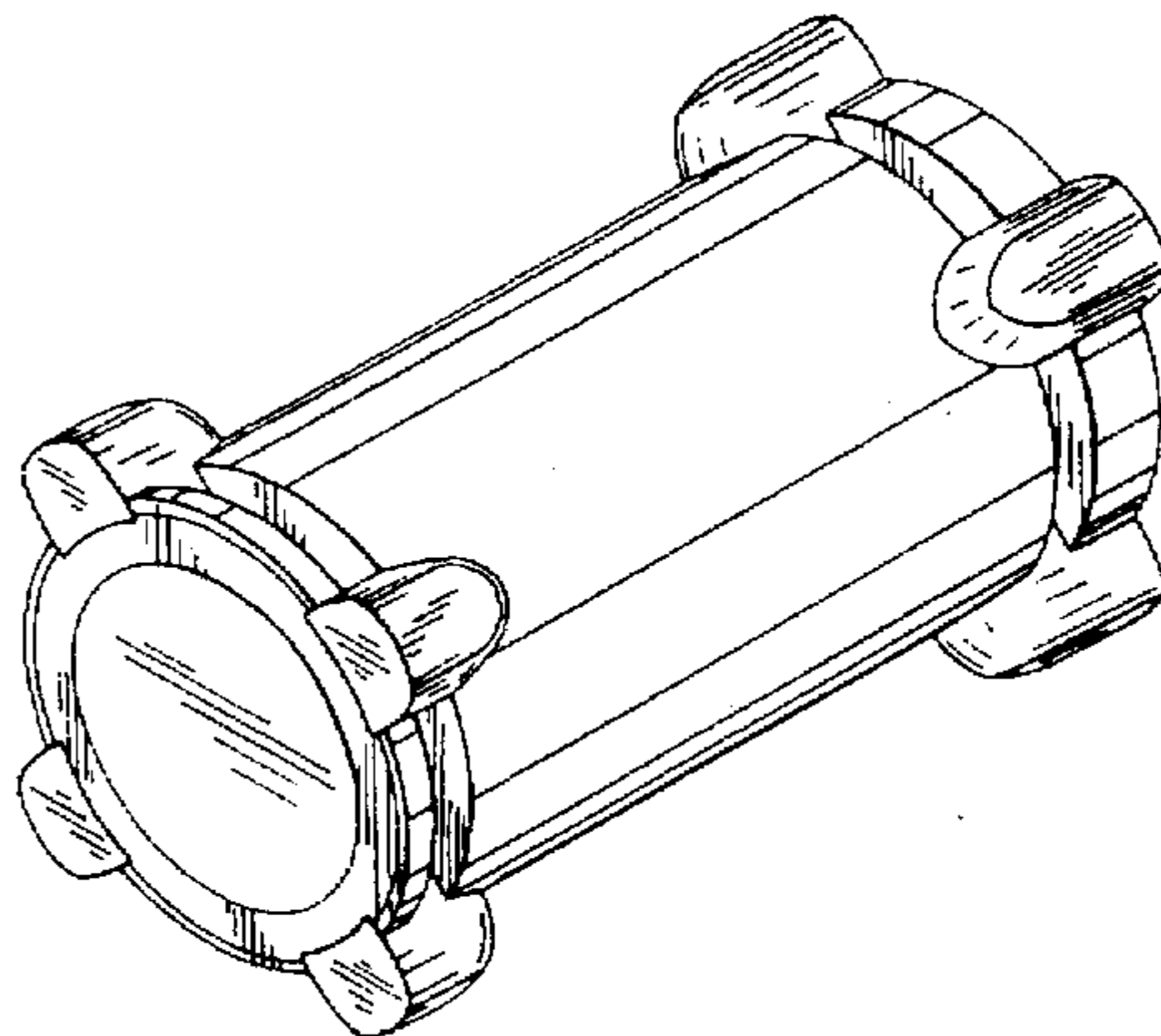


FIG. 1

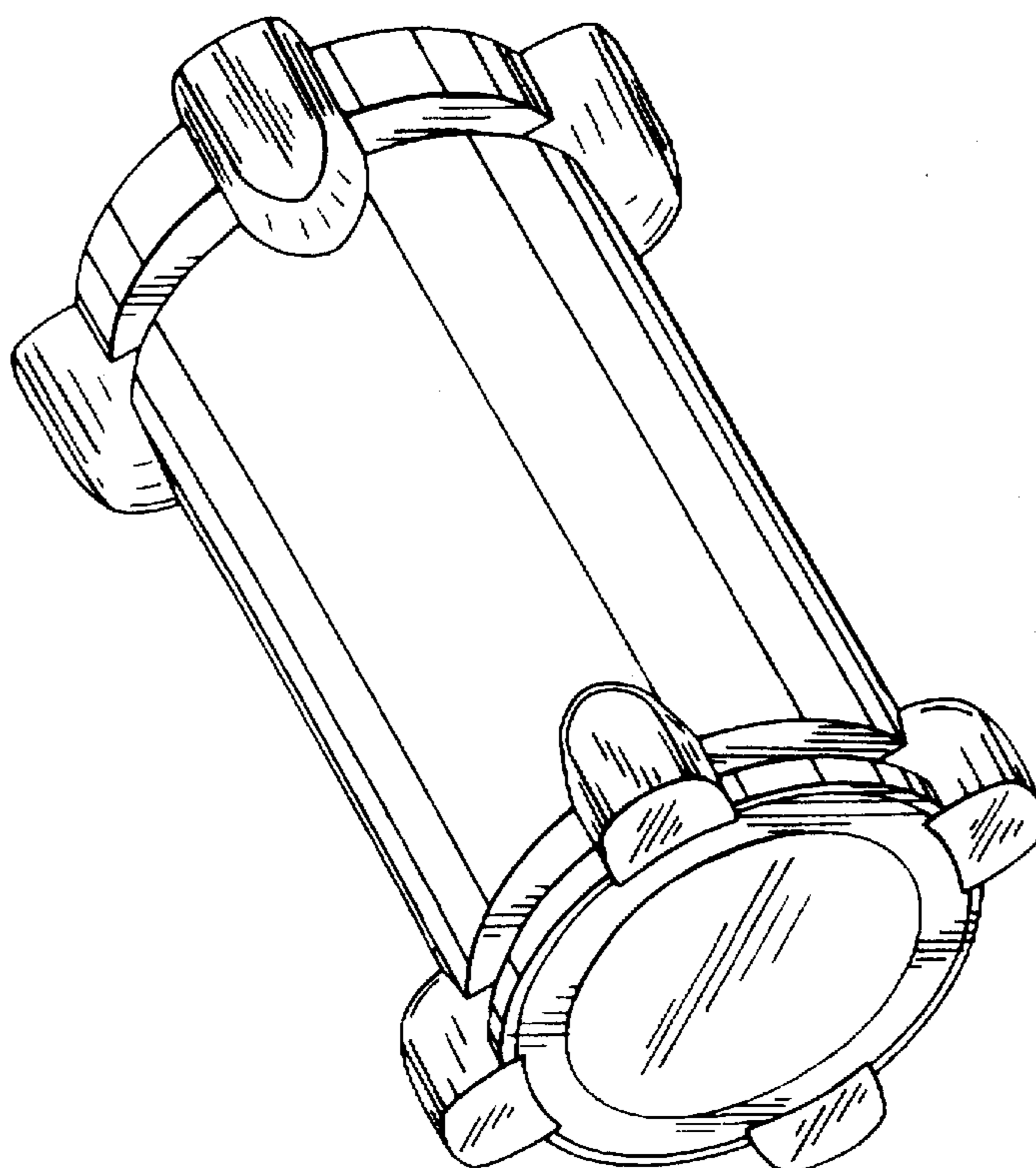


FIG. 2

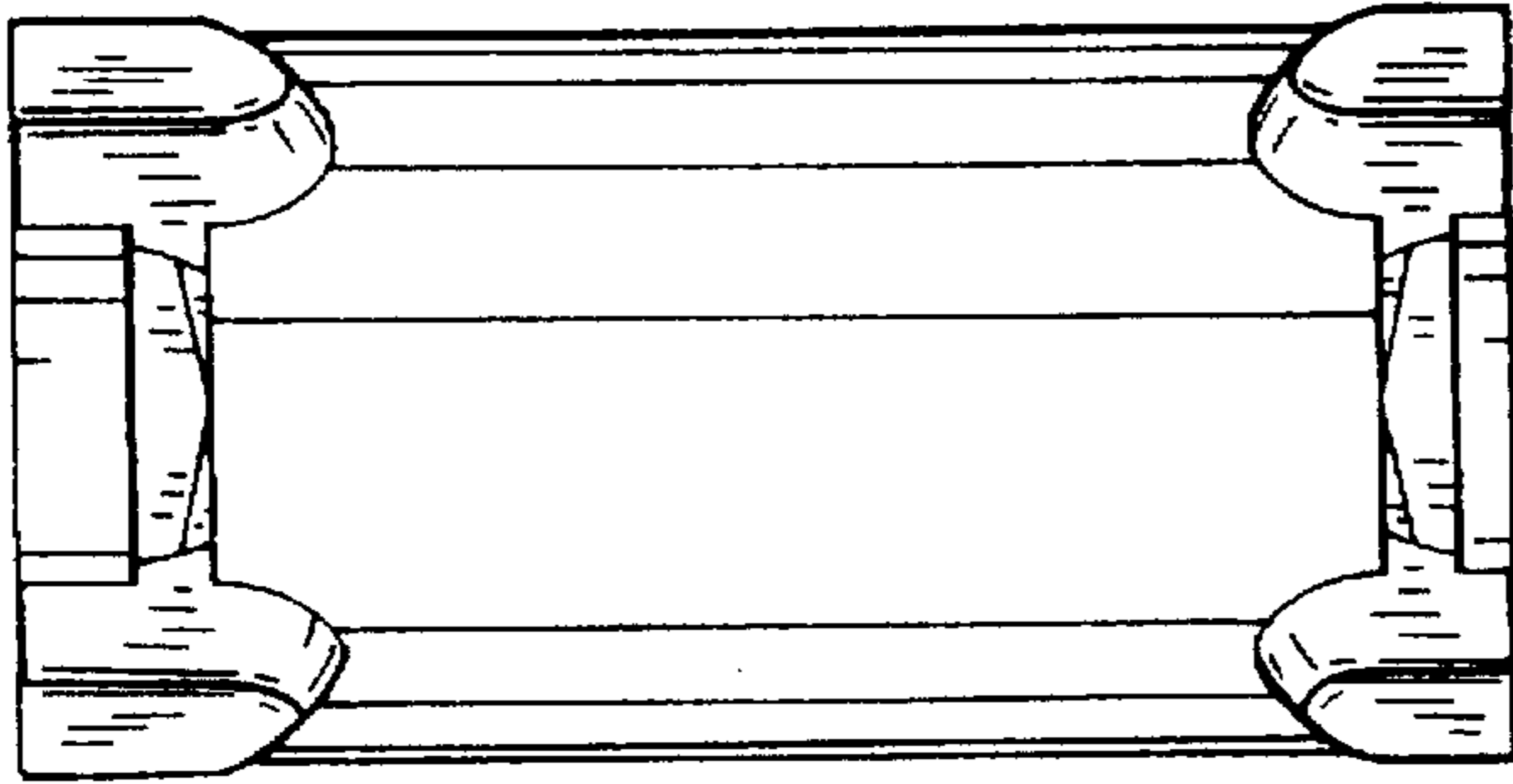


FIG. 3

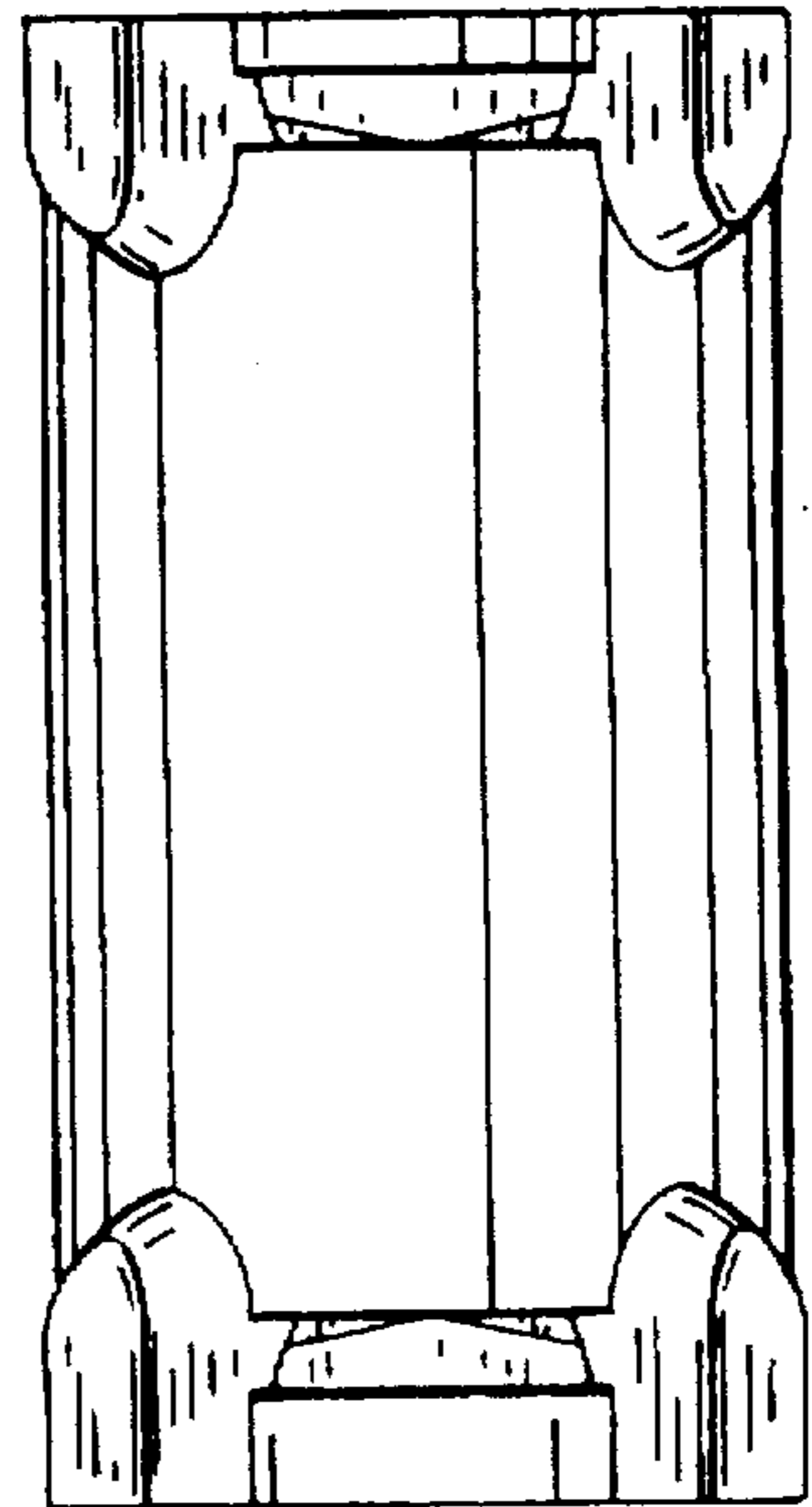


FIG. 4

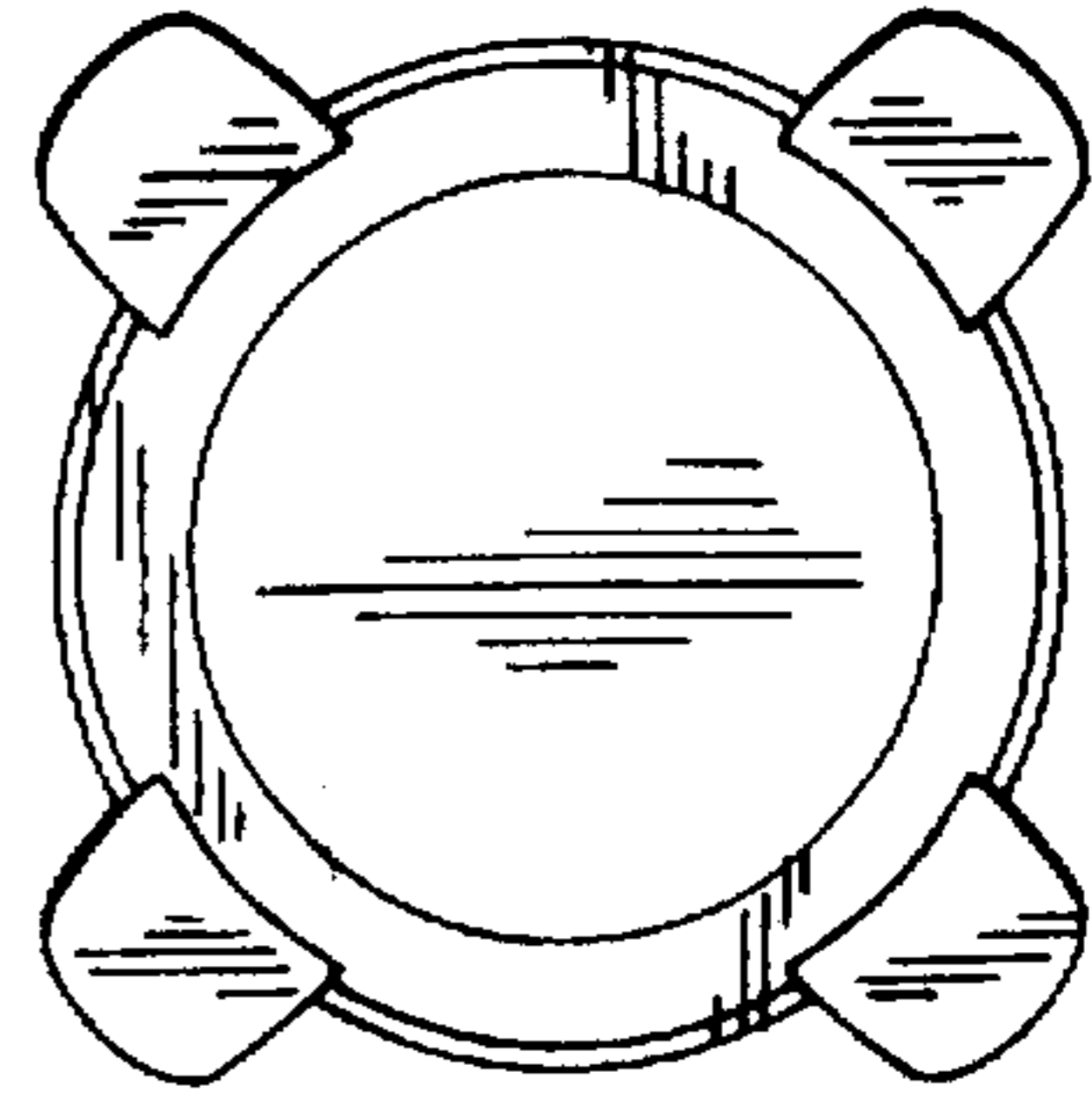


FIG. 5

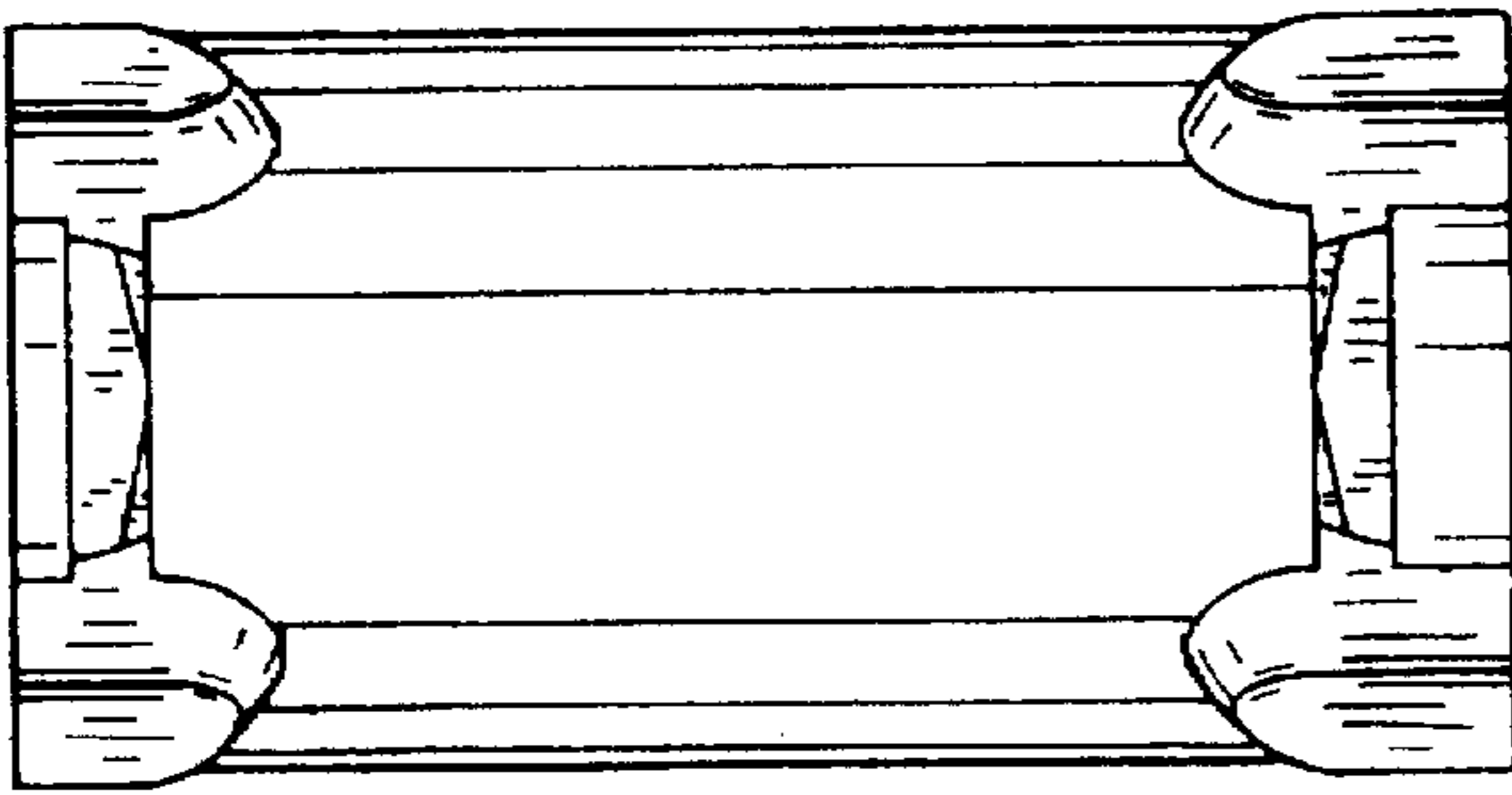


FIG. 6

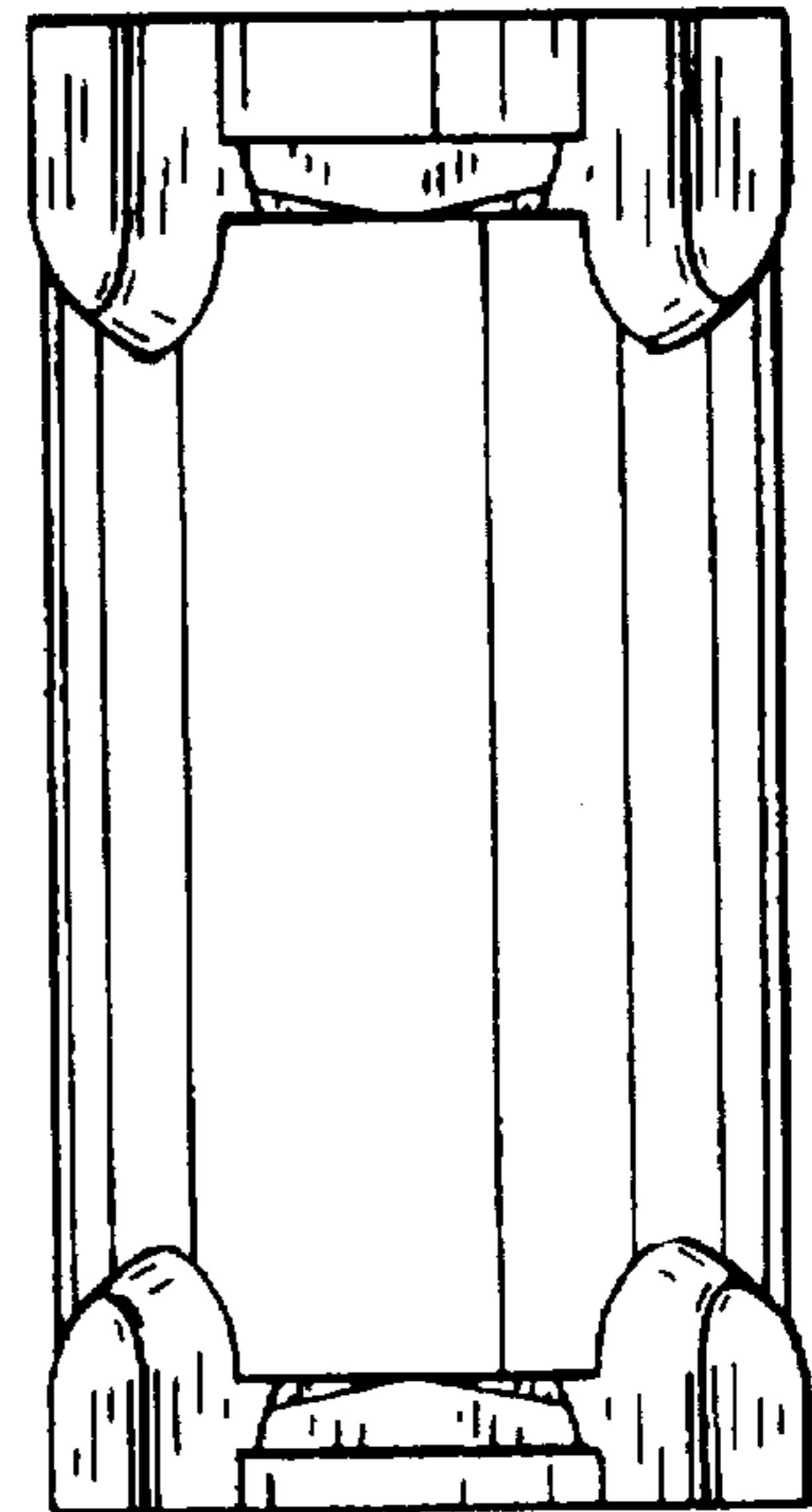


FIG. 7

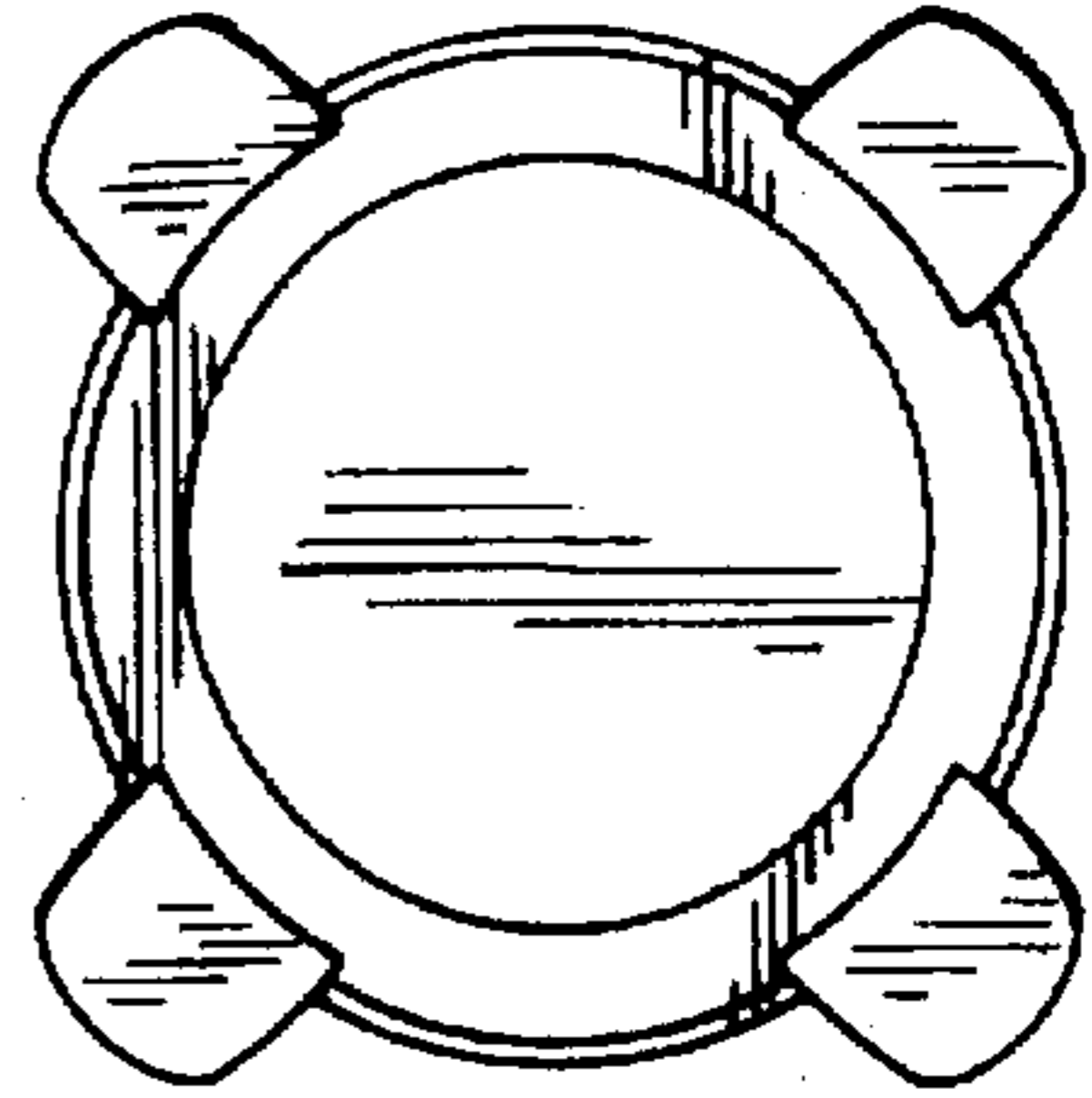
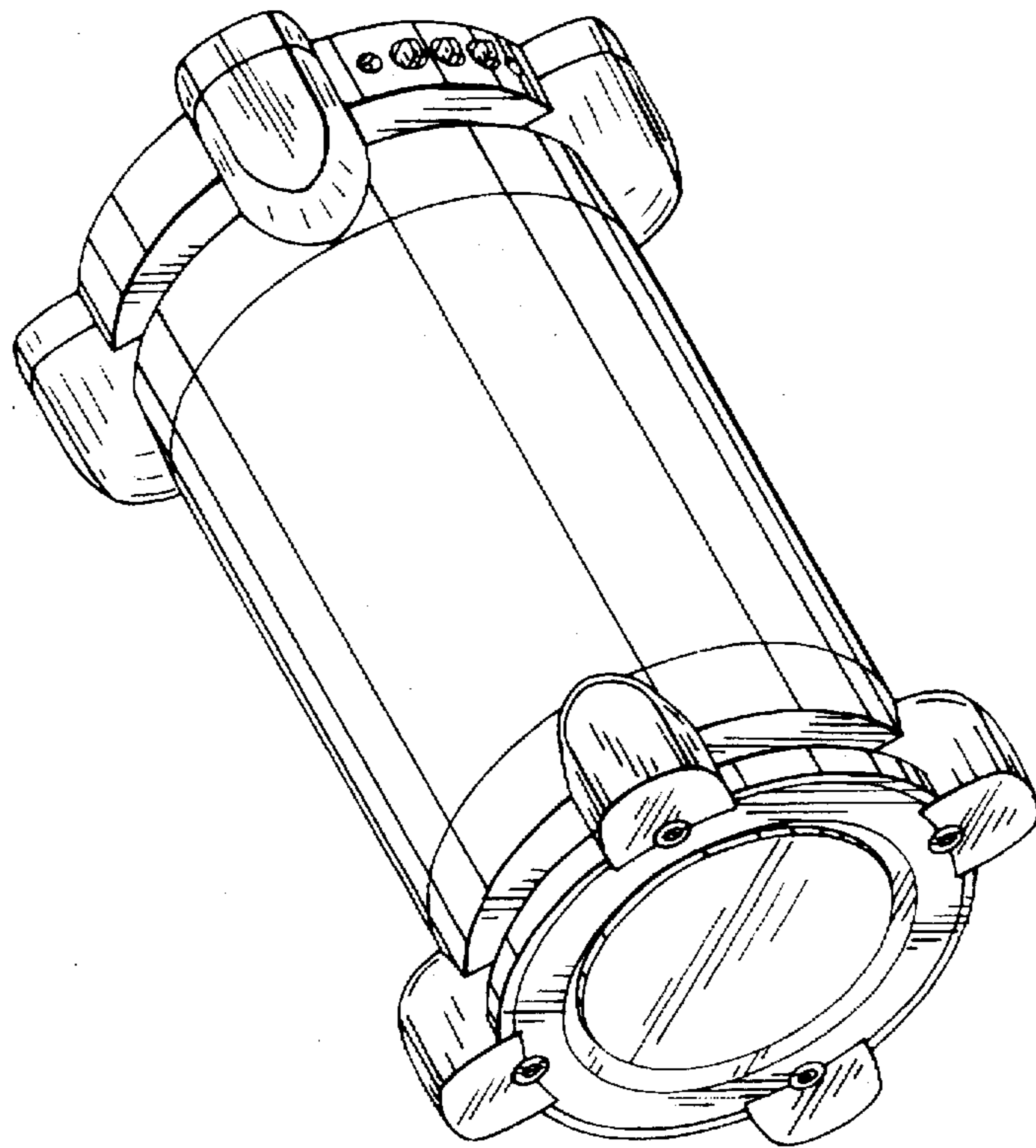


FIG. 8



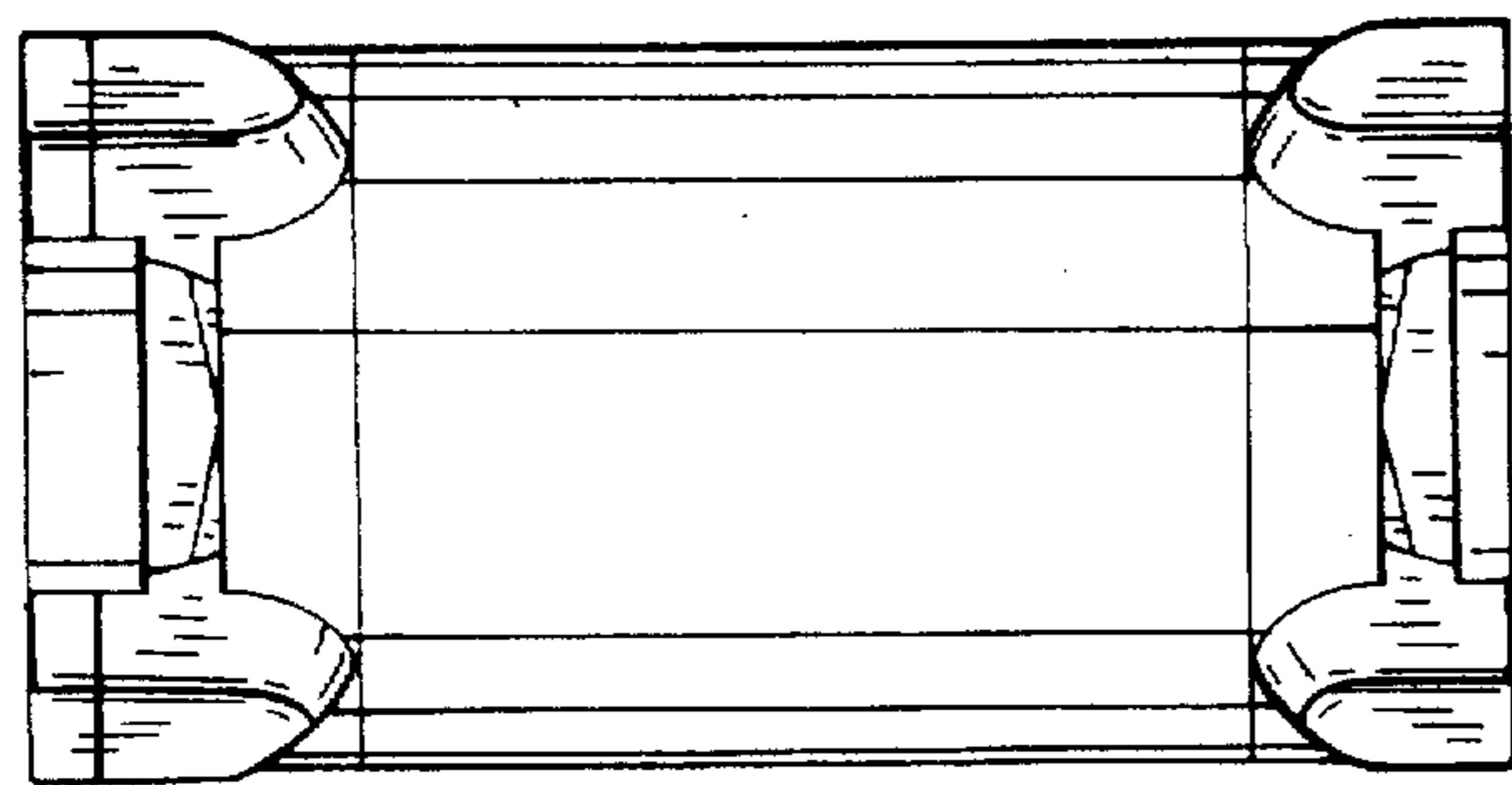


FIG. 9

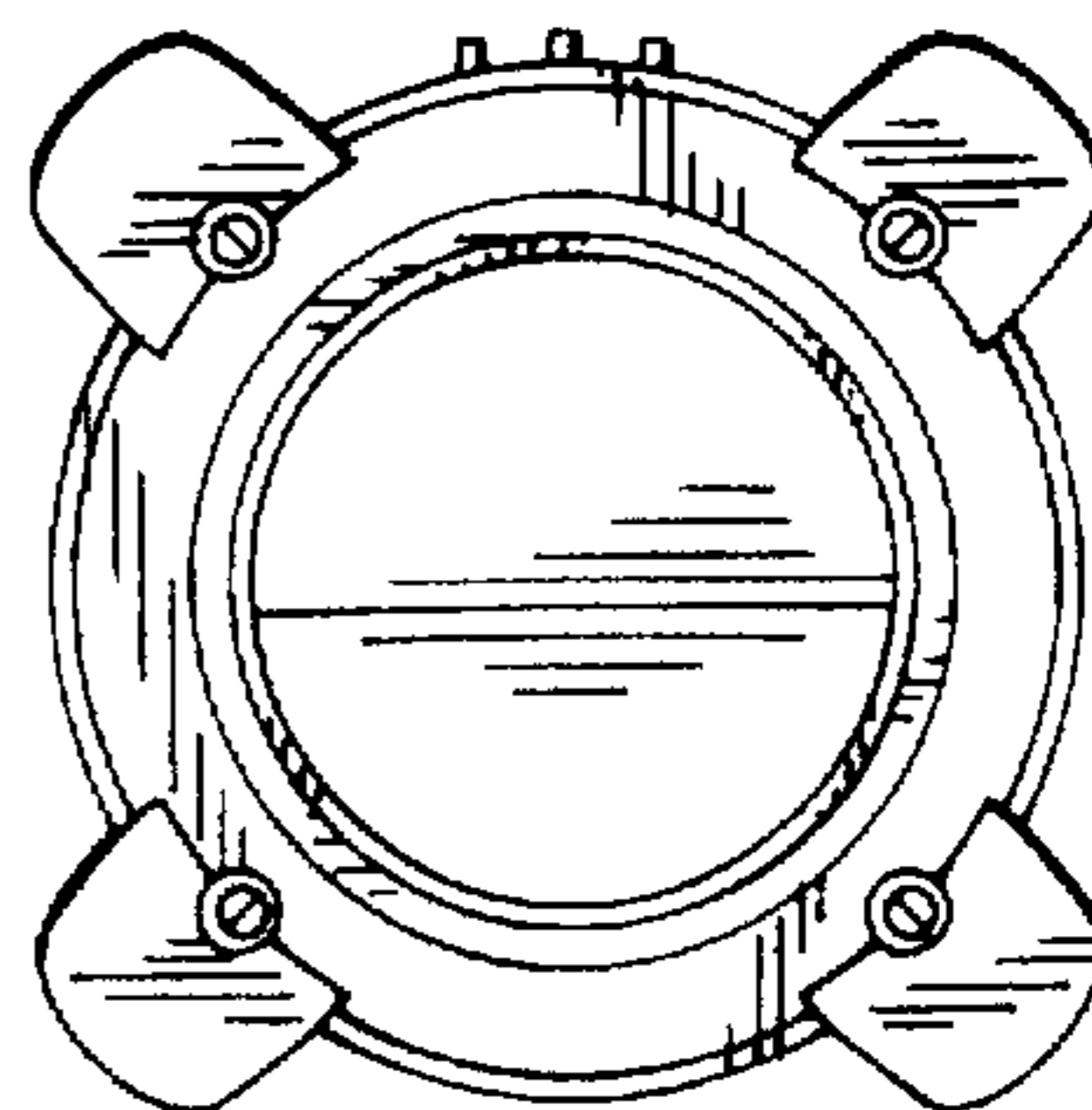


FIG. 11

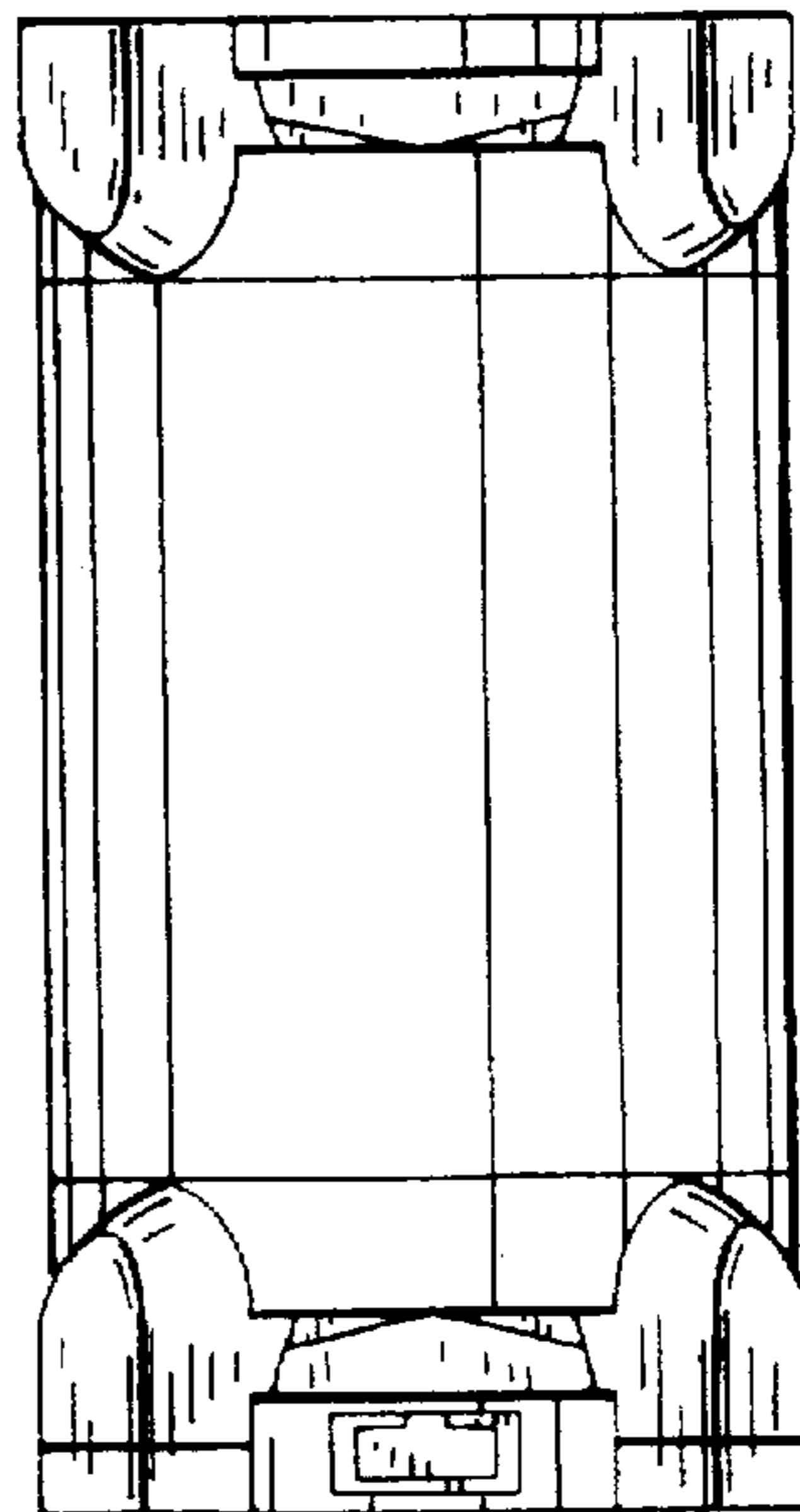


FIG. 10

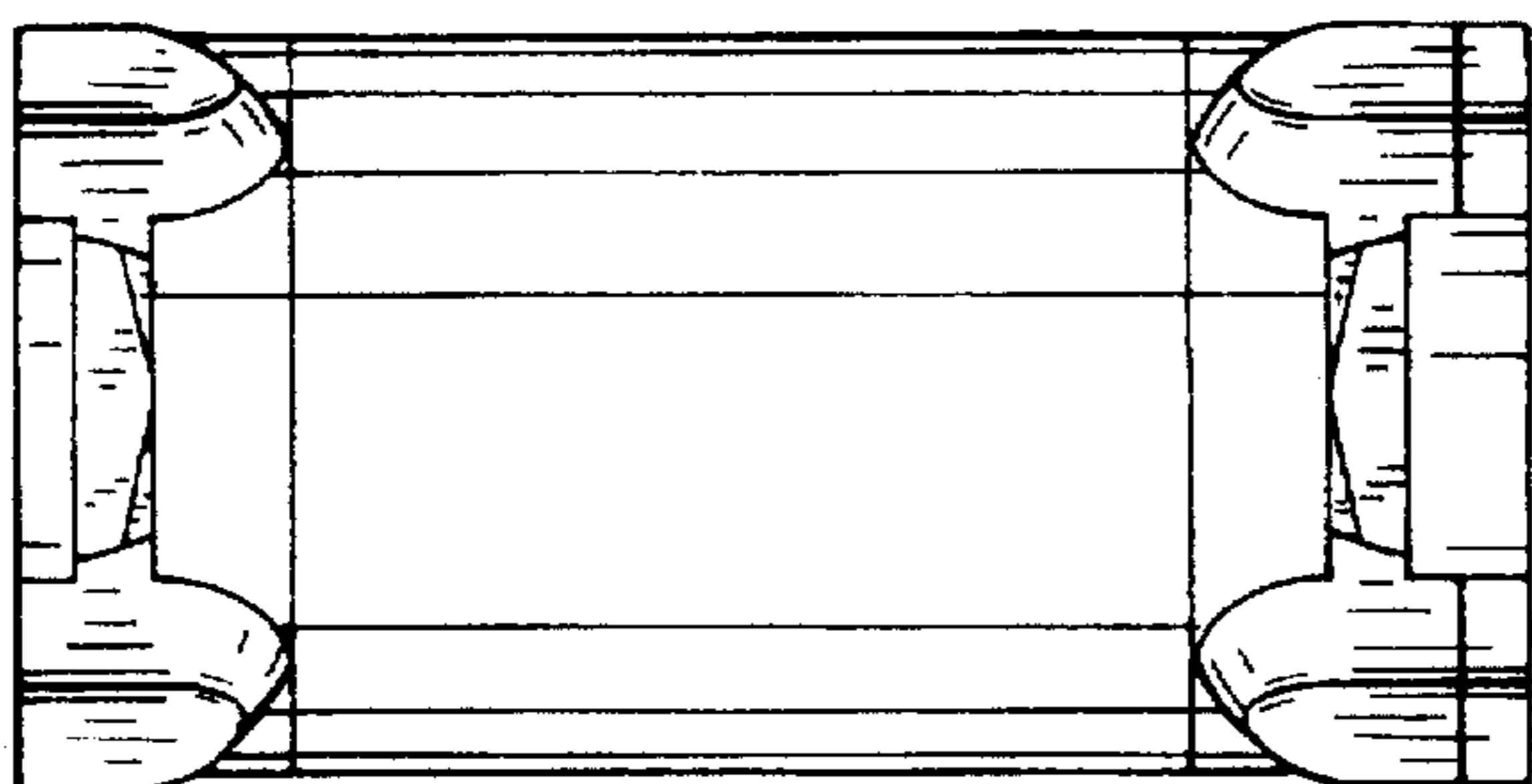


FIG. 12

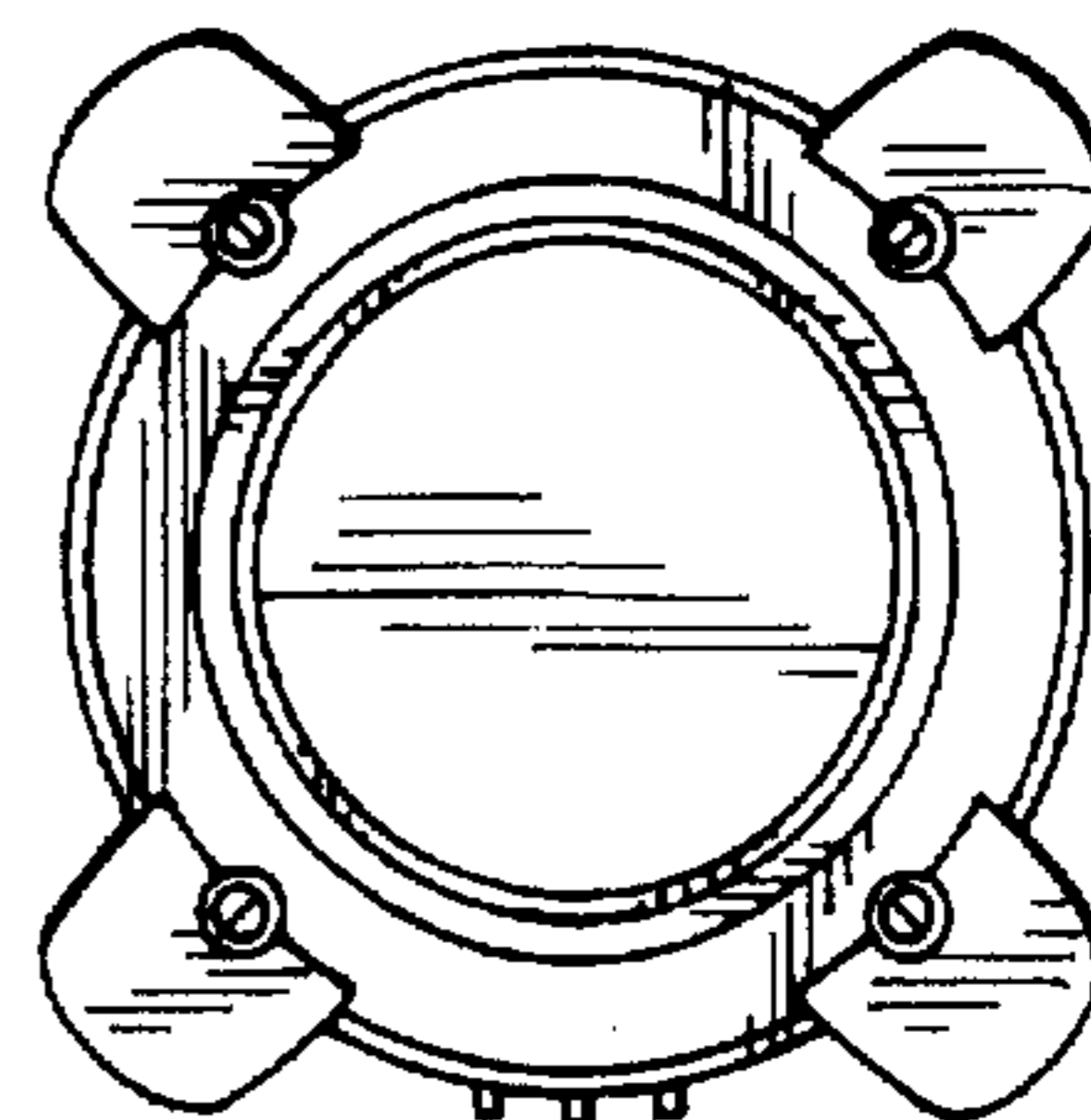


FIG. 14

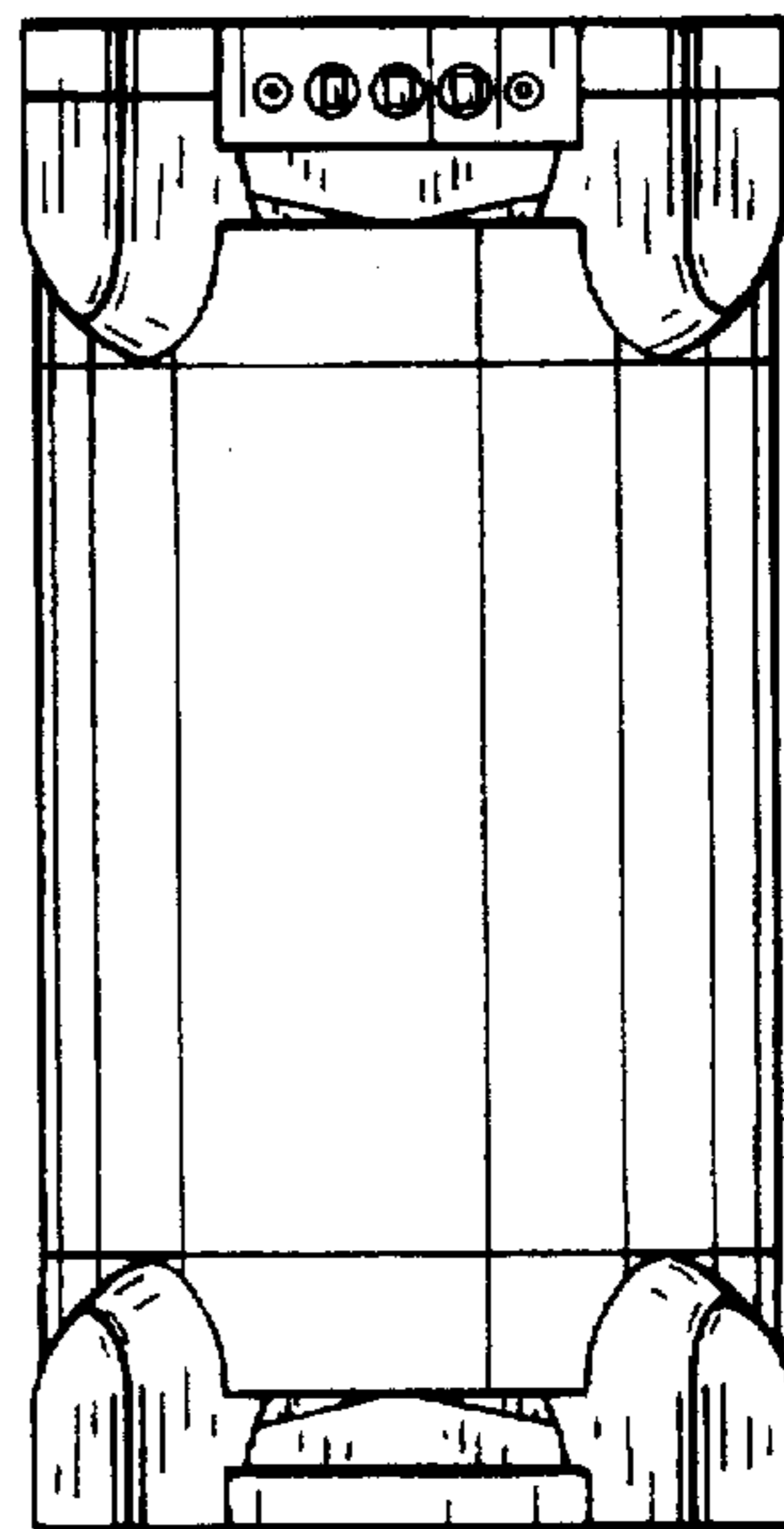


FIG. 13