



US00D393641S

United States Patent [19]

[11] Patent Number: Des. 393,641

Hai-Fu

[45] Date of Patent: **Apr. 21, 1998

[54] SPEAKER

4,815,558 3/1989 Krainhofer 381/205 X
5,153,915 10/1992 Farella 381/205

[76] Inventor: Wu Hai-Fu, No. 31, Whynin Load,
Taipei, Taiwan

OTHER PUBLICATIONS

Sony Style catalog, Spring/Summer 1993, p. 121, XS-6012,
6-1/2" Dual Cone Speaker.

[**] Term: 14 Years

Primary Examiner—Ted Shooman
Assistant Examiner—Nanda Bondade
Attorney, Agent, or Firm—W. Wayne Liawh

[21] Appl. No.: 64,413

[22] Filed: Dec. 31, 1996

[57] CLAIM

[51] LOC (6) Cl. 14-01

[52] U.S. Cl. D14/216; D14/221

[58] Field of Search D14/204, 207-216,
D14/221-222; 181/143-144, 147-148,
150, 152-155, 157, 159, 171-174, 198-199;
381/24, 88-90, 153, 159, 182, 186, 188,
203-205

The ornamental design for a speaker, as shown and
described.

DESCRIPTION

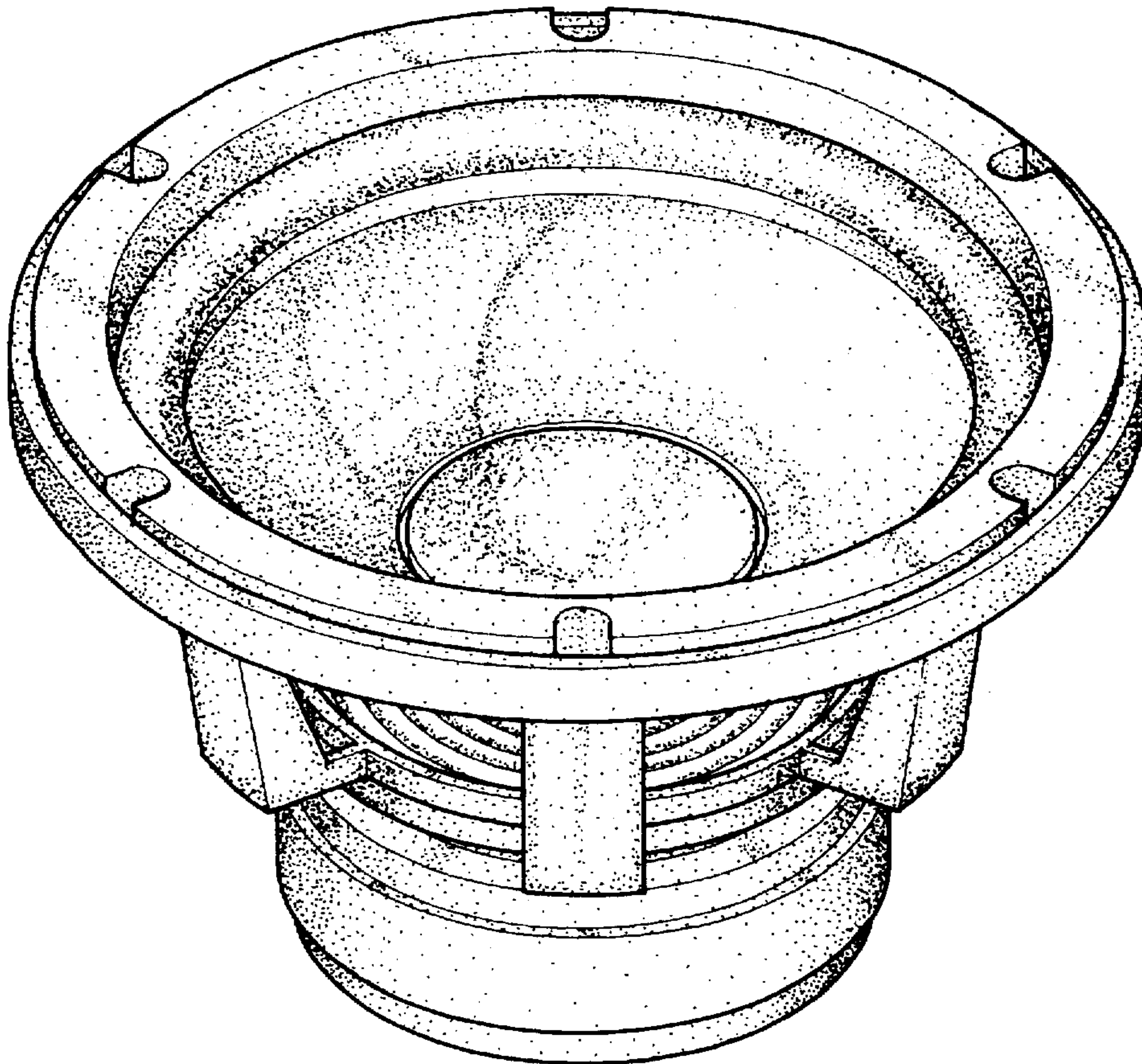
[56] References Cited

U.S. PATENT DOCUMENTS

D. 225,069 11/1972 May D14/216
D. 244,698 6/1977 Babb D14/222
D. 250,586 12/1978 Nussdorfer et al. D14/216
2,924,290 2/1960 Zuerker 381/204 X

FIG. 1 is a perspective view of a speaker showing my new
design;
FIG. 2 is a front elevational view thereof, the rear view being
identical;
FIG. 3 is a right side elevational view thereof, the left side
view being identical;
FIG. 4 is a top plan view thereof; and,
FIG. 5 is a bottom plan view thereof.

1 Claim, 3 Drawing Sheets



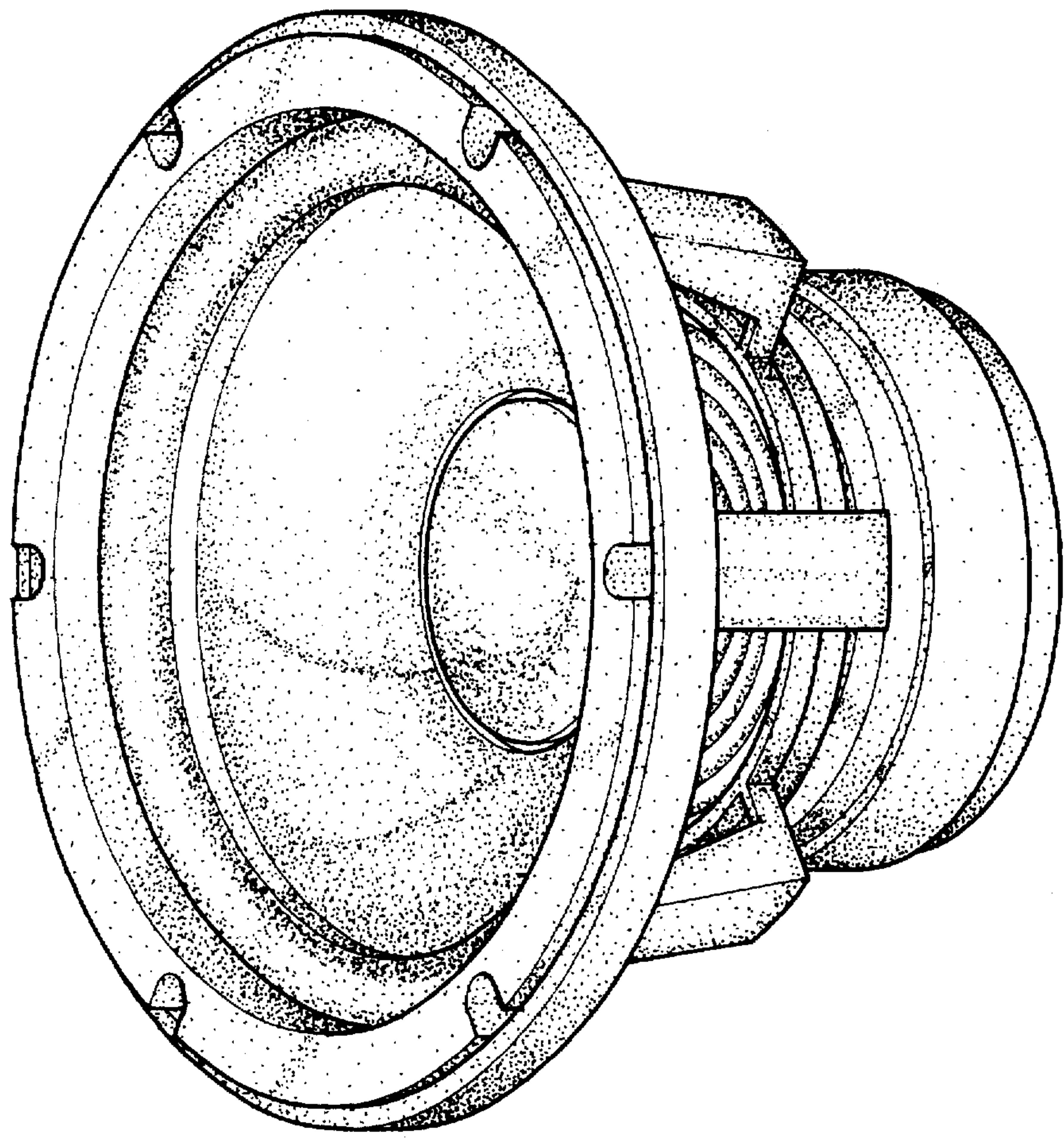


FIG. 1

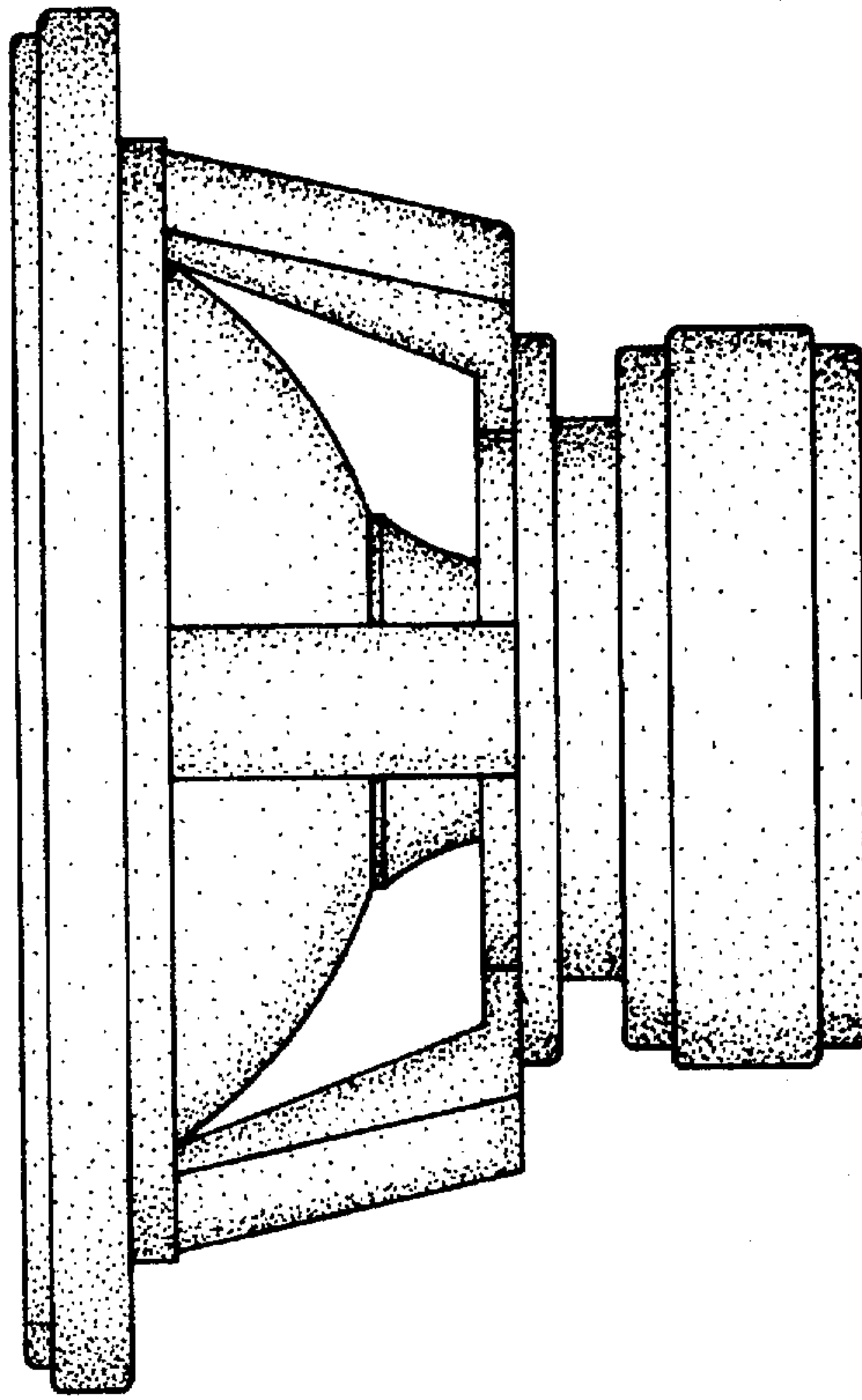


FIG. 2

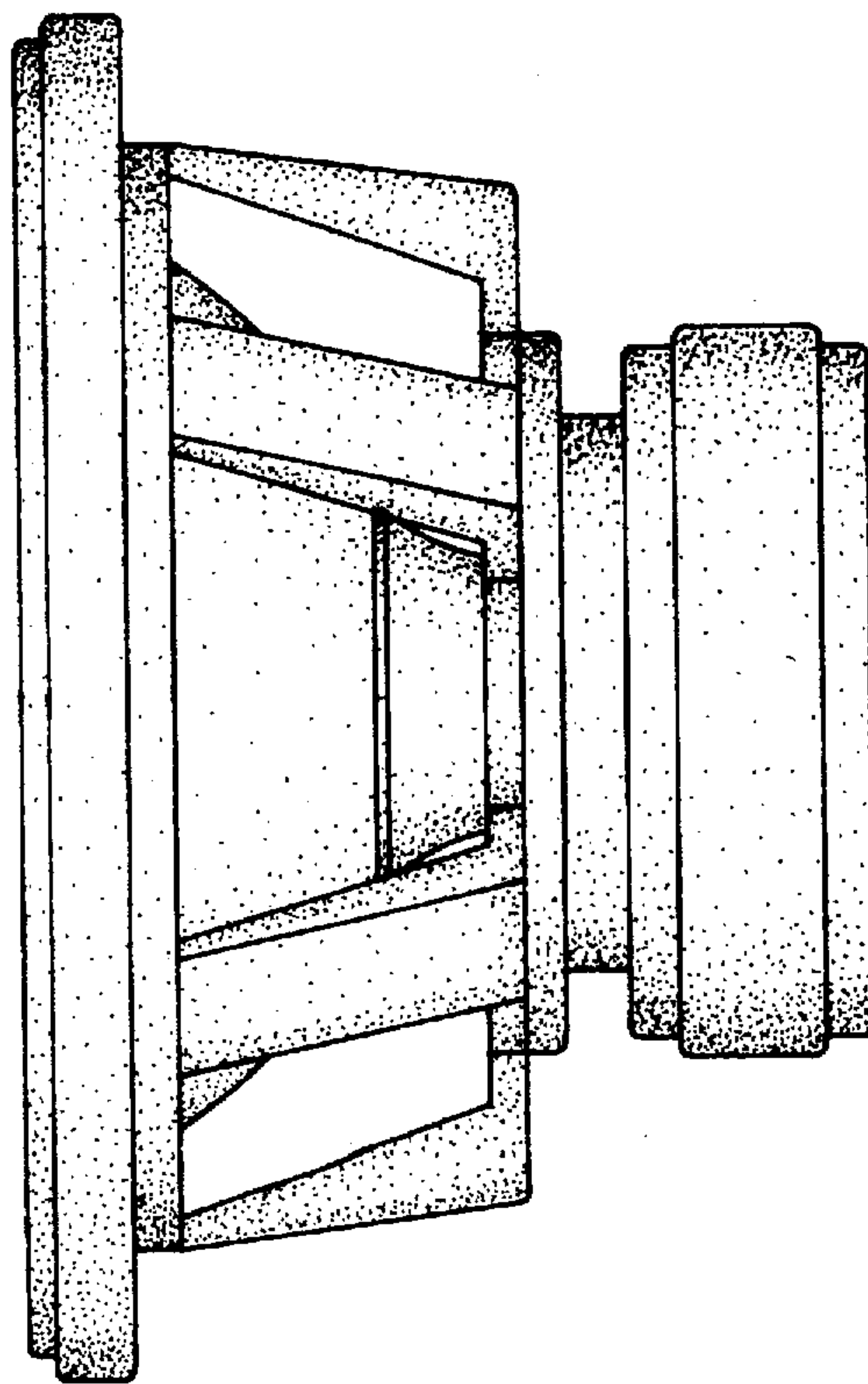


FIG. 3

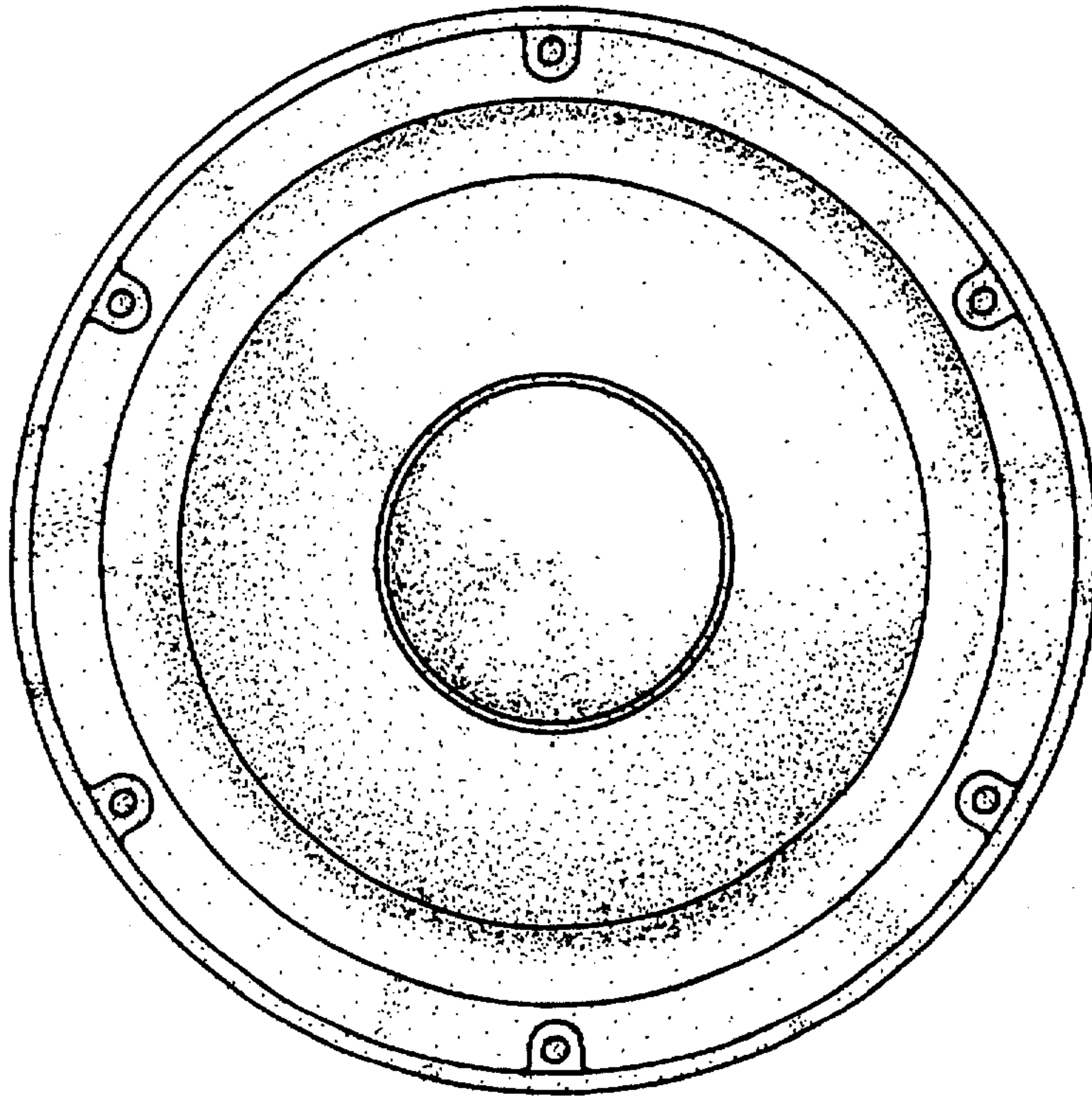


FIG. 4

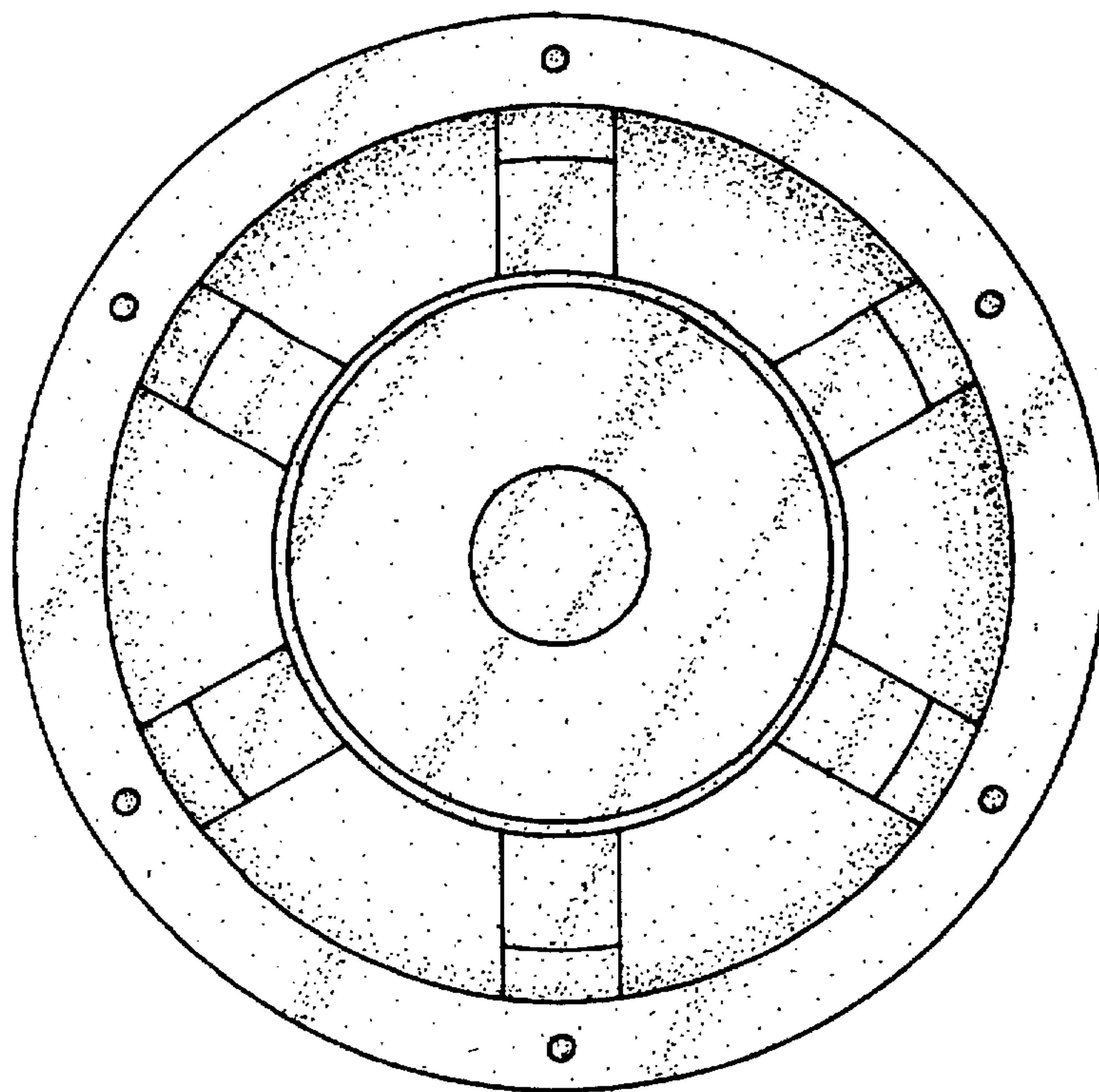


FIG. 5