



US00D393637S

United States Patent [19]
Franek

[11] **Patent Number: Des. 393,637**
[45] **Date of Patent: **Apr. 21, 1998**

[54] **TELEVISION SET TOP DECODER BOX**

[75] **Inventor: Wayne J. Franek, Palatine, Ill.**

[73] **Assignee: Zenith Electronics Corporation,
Glenview, Ill.**

[**] **Term: 14 Years**

[21] **Appl. No.: 67,161**

[22] **Filed: Mar. 5, 1997**

[51] **LOC (6) Cl. 14-03**

[52] **U.S. Cl. D14/125; D14/239**

[58] **Field of Search** D14/257, 258,
D14/217, 299, 188, 125, 239; 340/825.03;
116/DIG. 29, DIG. 30; D13/184; 348/10,
11

[56] **References Cited**

U.S. PATENT DOCUMENTS

- D. 313,230 12/1990 Isaacs D14/125
- D. 347,631 6/1994 Terleski D14/125
- D. 355,197 2/1995 Farinelli et al. D14/257

- D. 368,085 3/1996 Mittal et al. D14/125
- D. 368,905 4/1996 Otani D14/125
- D. 371,789 7/1996 Weissberg et al. D14/188
- D. 374,223 10/1996 Herrmann et al. D14/299
- D. 381,637 7/1997 Haider et al. D13/184
- D. 383,456 9/1997 Pierce et al. D14/239
- 5,602,581 2/1997 Ozaki 348/10

Primary Examiner—B. J. Bullock

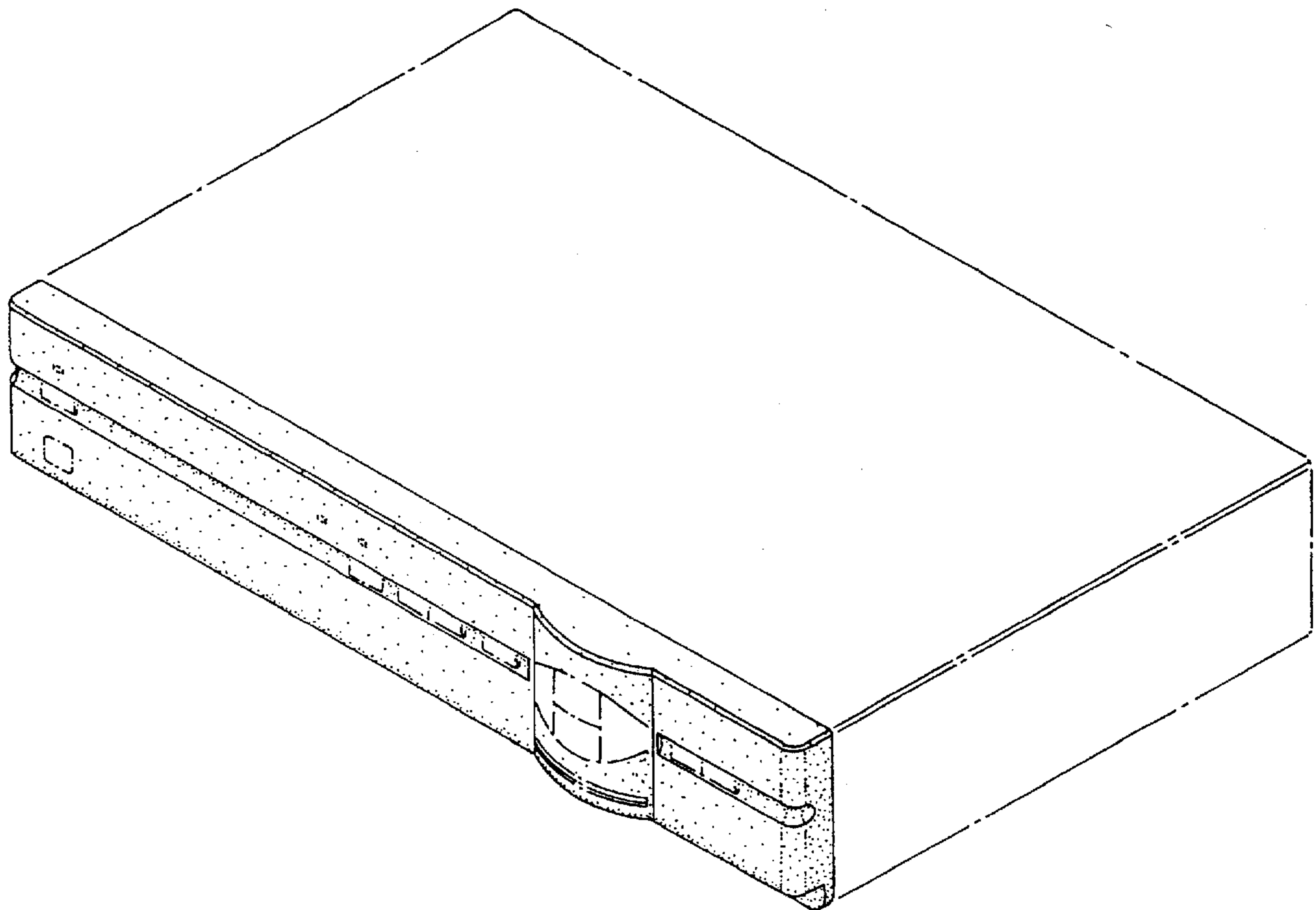
[57] **CLAIM**

The ornamental design for a television set top decoder box, as shown and described.

DESCRIPTION

FIG. 1 is a perspective view of a television set top box decoder showing my new design;
FIG. 2 is a front elevational view thereof;
FIG. 3 is a top plan view thereof; and,
FIG. 4 is a right side elevational view thereof.
Those details shown in phantom—broken lines—are intended to indicate environmental aspects and are not part of the claimed design.

1 Claim, 2 Drawing Sheets



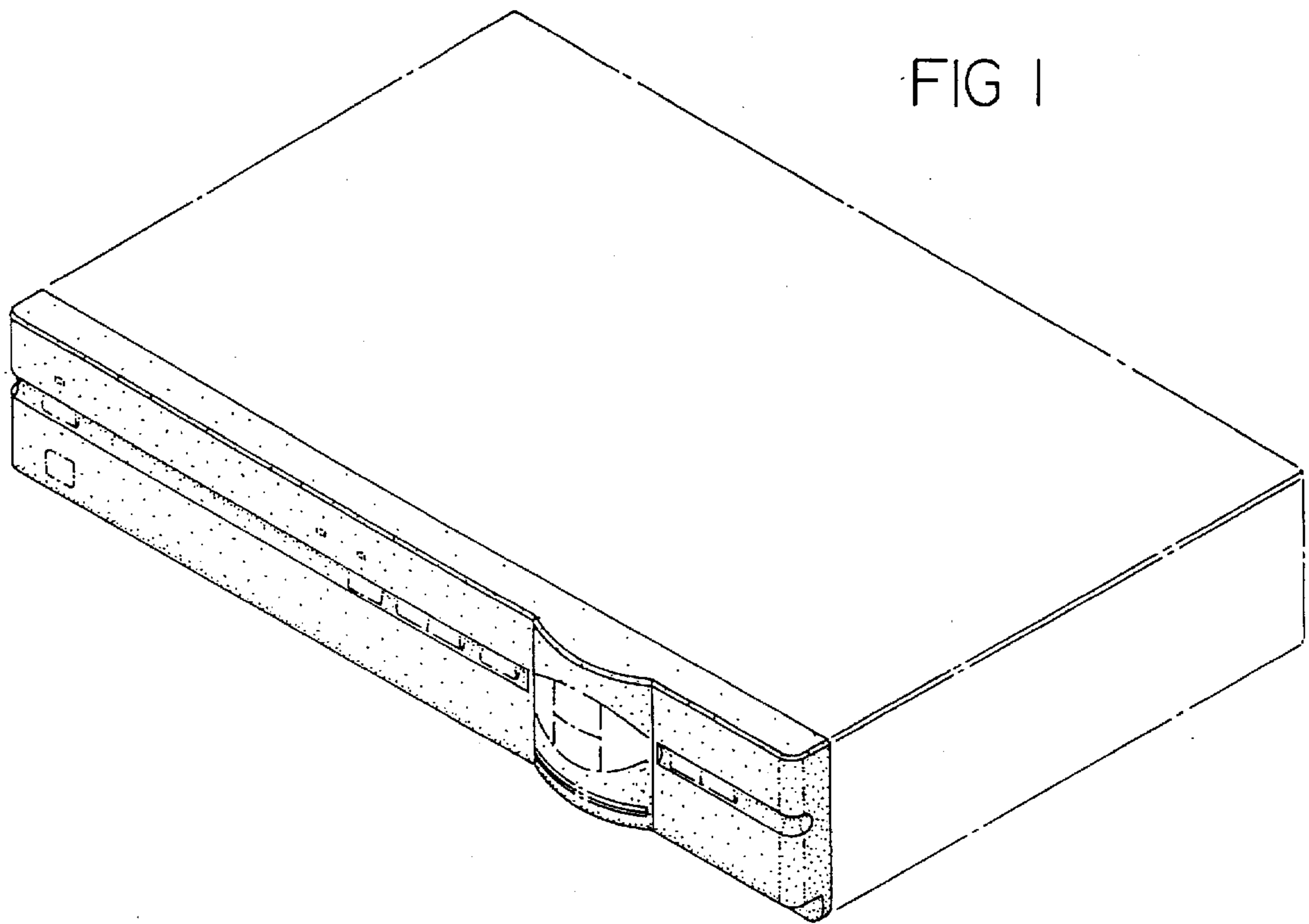


FIG 1

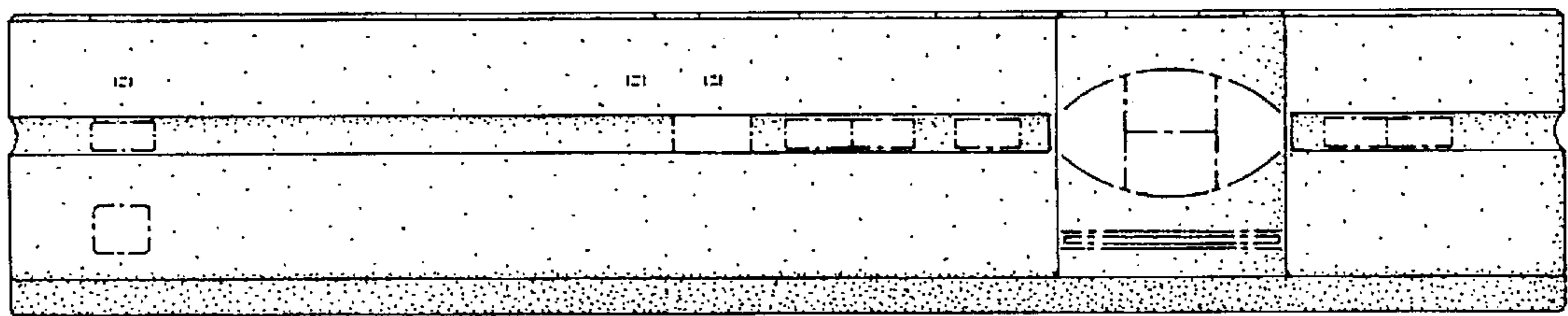


FIG 2

FIG 3

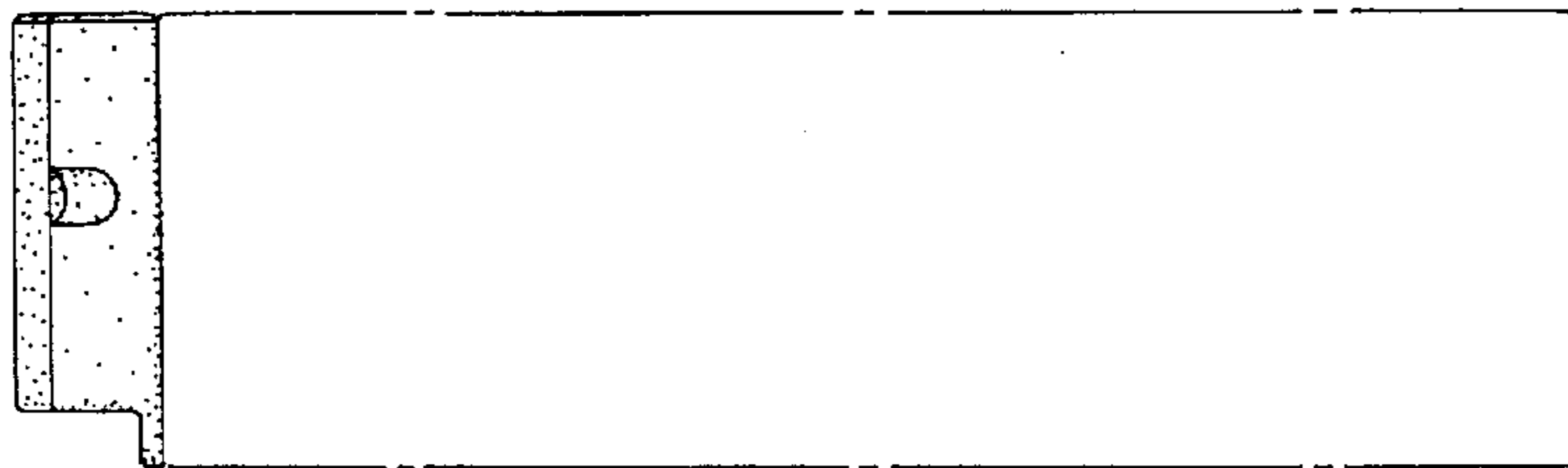
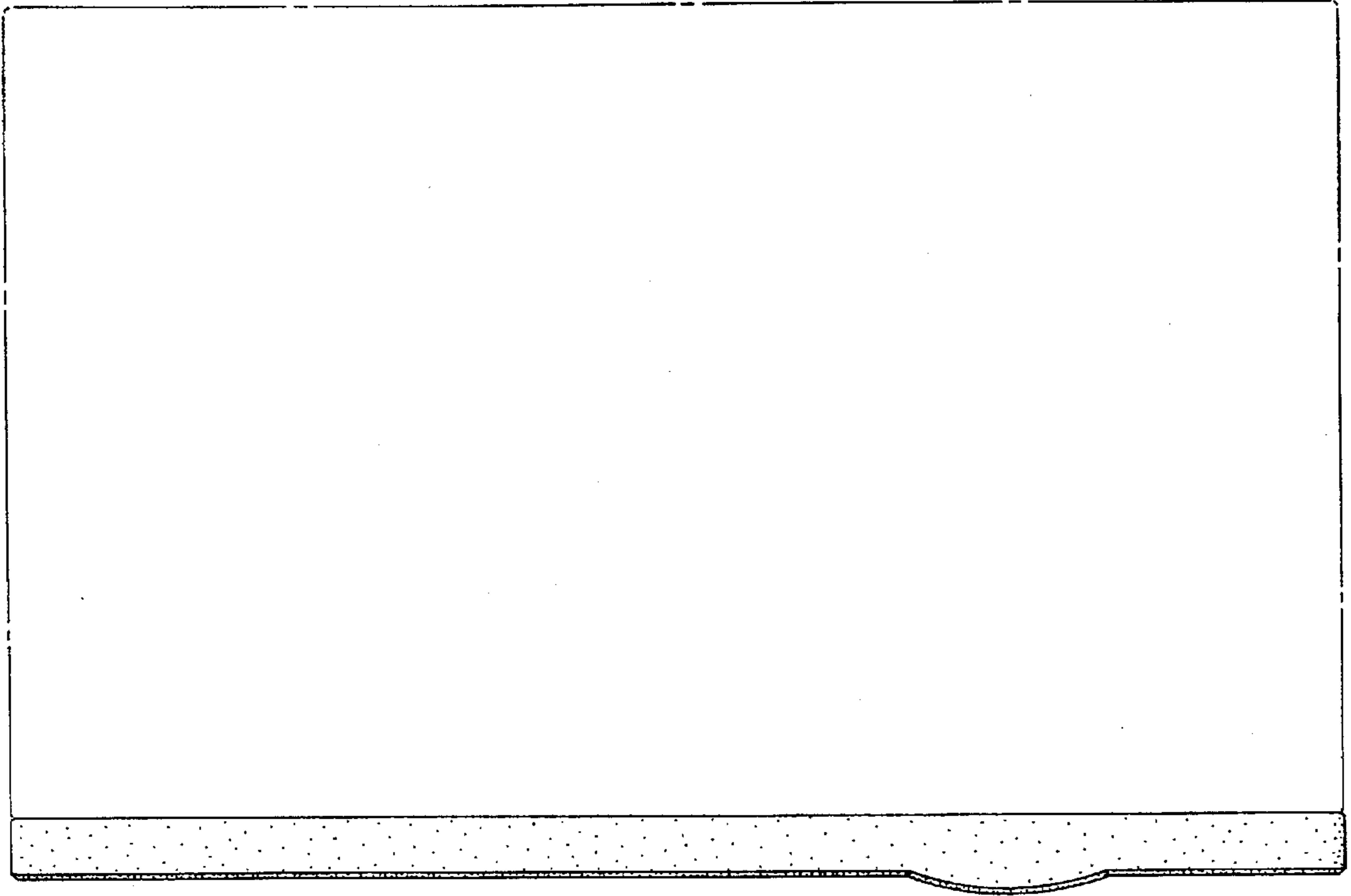


FIG 4