



US00D393636S

United States Patent [19]

Jones et al.

[11] Patent Number: **Des. 393,636**

[45] Date of Patent: ****Apr. 21, 1998**

[54] **BEZEL**

[75] Inventors: **Trent T. Jones**, White Bear Lake; **Scott D. Buell**, Andover; **Jeffrey A. Earles**, Shoreview, all of Minn.

[73] Assignee: **Federal-Hoffman, Inc.**, Anoka, Minn.

[**] Term: **14 Years**

[21] Appl. No.: **35,635**

[22] Filed: **Mar. 3, 1995**

[51] LOC (6) Cl. **13-02**

[52] U.S. Cl. **D14/115; D6/300**

[58] Field of Search **D26/139; D14/115, D14/100, 101, 106, 113, 114, 124-129; 345/87, 104, 133, 156, 168, 173, 901-905; 358/249, 254, 255; D6/300, 310; 40/700, 709, 722, 765, 761, 780, 790, 798**

[56] References Cited

U.S. PATENT DOCUMENTS

D. 306,720	3/1990	Flies	D14/113
D. 319,636	9/1991	Lampe	D14/106 X
D. 358,177	5/1995	Imai et al.	D14/115 X
D. 360,626	7/1995	MacMurtrie	D14/115
D. 367,045	2/1996	Matsuda	D14/106
5,100,098	3/1992	Hawkins	D14/114 X
5,398,905	3/1995	Hinson	D14/114 X

OTHER PUBLICATIONS

Hoffman Engineering Company 1995 Brochure, Operator Interface Enclosure Systems, p. 83.
P. 72 of Hoffman Engineering Company Specifier's Guide, 1995-1996, including a picture of a computer cabinet having a frame for a viewing window.

Primary Examiner—James Gandy

Assistant Examiner—Linda Brooks

Attorney, Agent, or Firm—Merchant, Gould, Smith, Edell, Welter & Schmitd

[57] CLAIM

The ornamental design for a "bezel", as shown and described.

DESCRIPTION

FIG. 1 is a perspective view of a bezel according to the principles of the present invention;

FIG. 2 is a front elevational view thereof;

FIG. 3 is a top plan view thereof, it being understood that the bottom plan view is a mirror image;

FIG. 4 is a right end elevational view thereof, it being understood that the left end elevational view is a mirror image;

FIG. 5 is a section view taken along line 5—5 in FIG. 2;

FIG. 6 is a section view taken along line 6—6 in FIG. 2;

FIG. 7 is a perspective view of a second embodiment of the design of FIG. 1, the only difference being the increase in size and appearance of the sides; and,

FIG. 8 is a perspective view of a third embodiment of the design of FIG. 1, the only difference being the increase in size and the appearance of the sides.

The rear of the bezel forms no part of the claimed design.

1 Claim, 3 Drawing Sheets

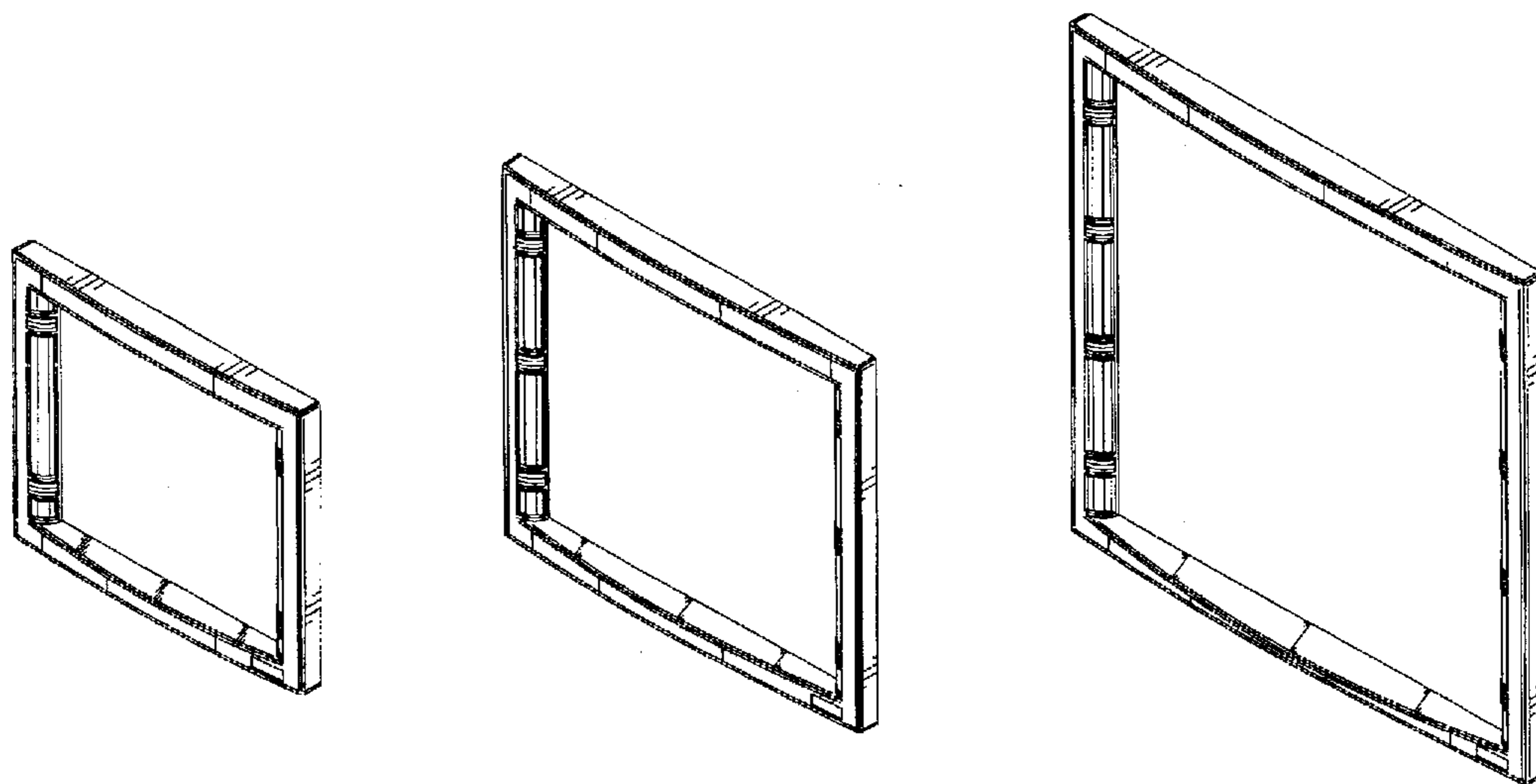


FIG. 8

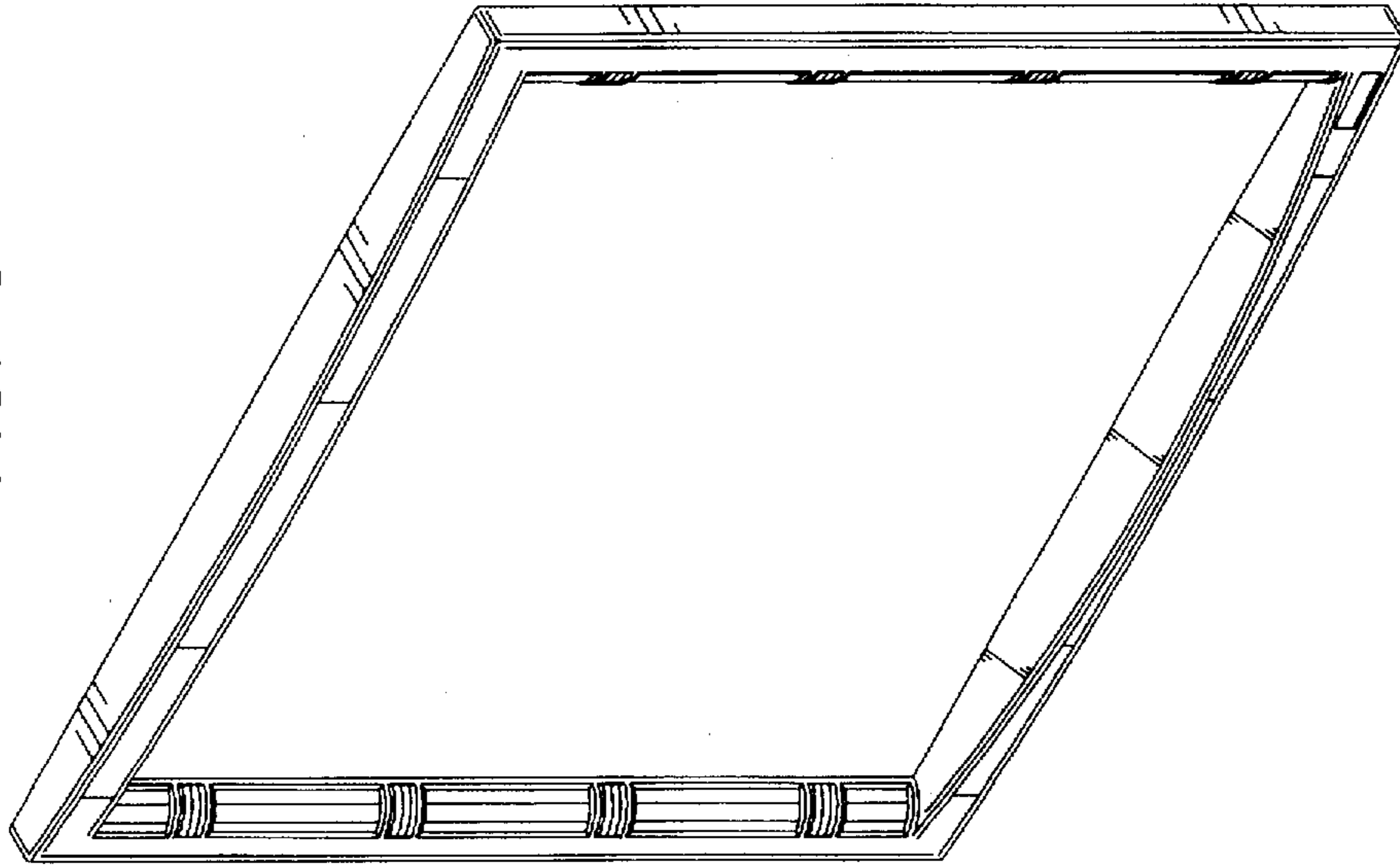


FIG. 7

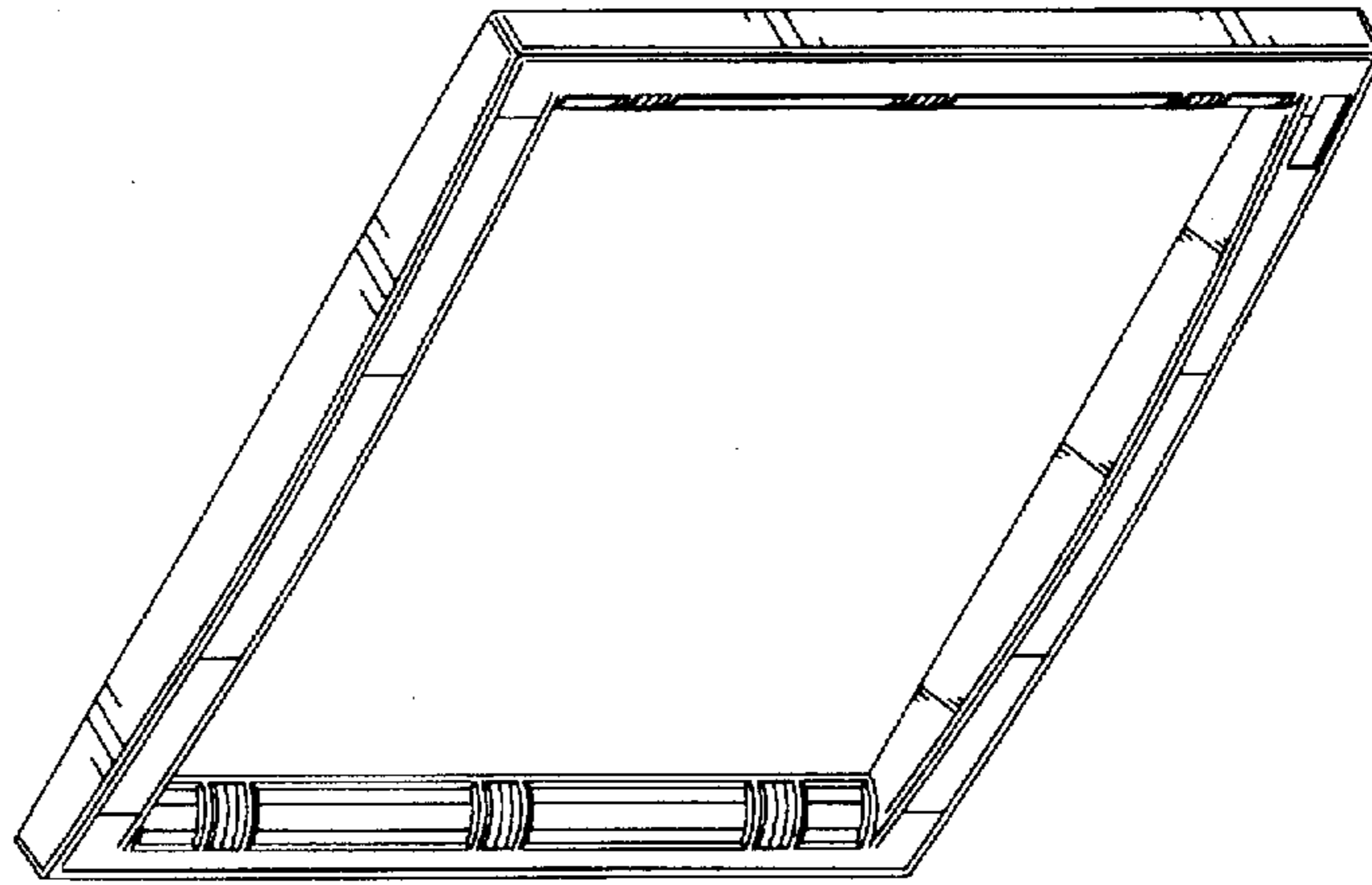


FIG. 1

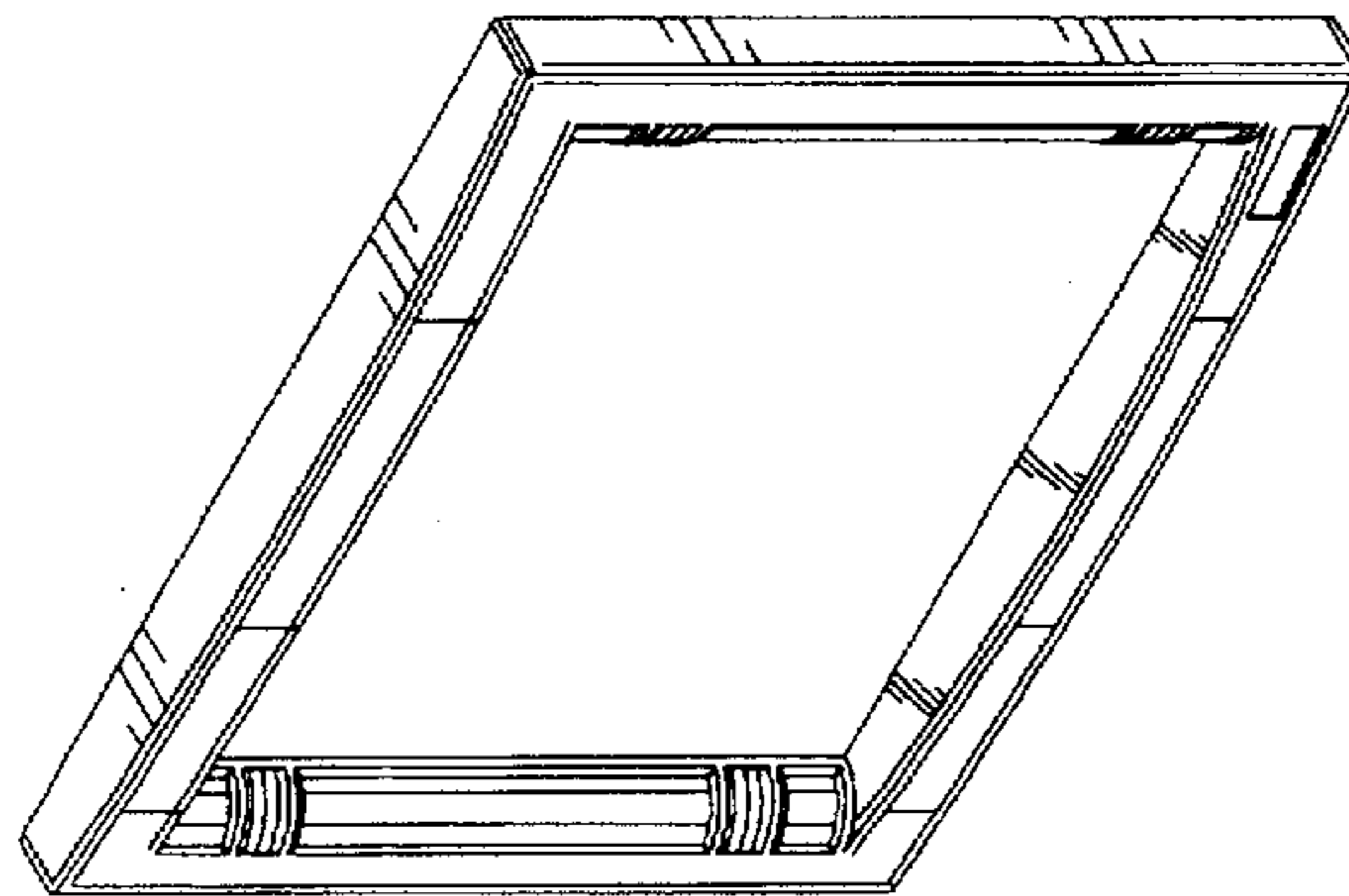


FIG. 2

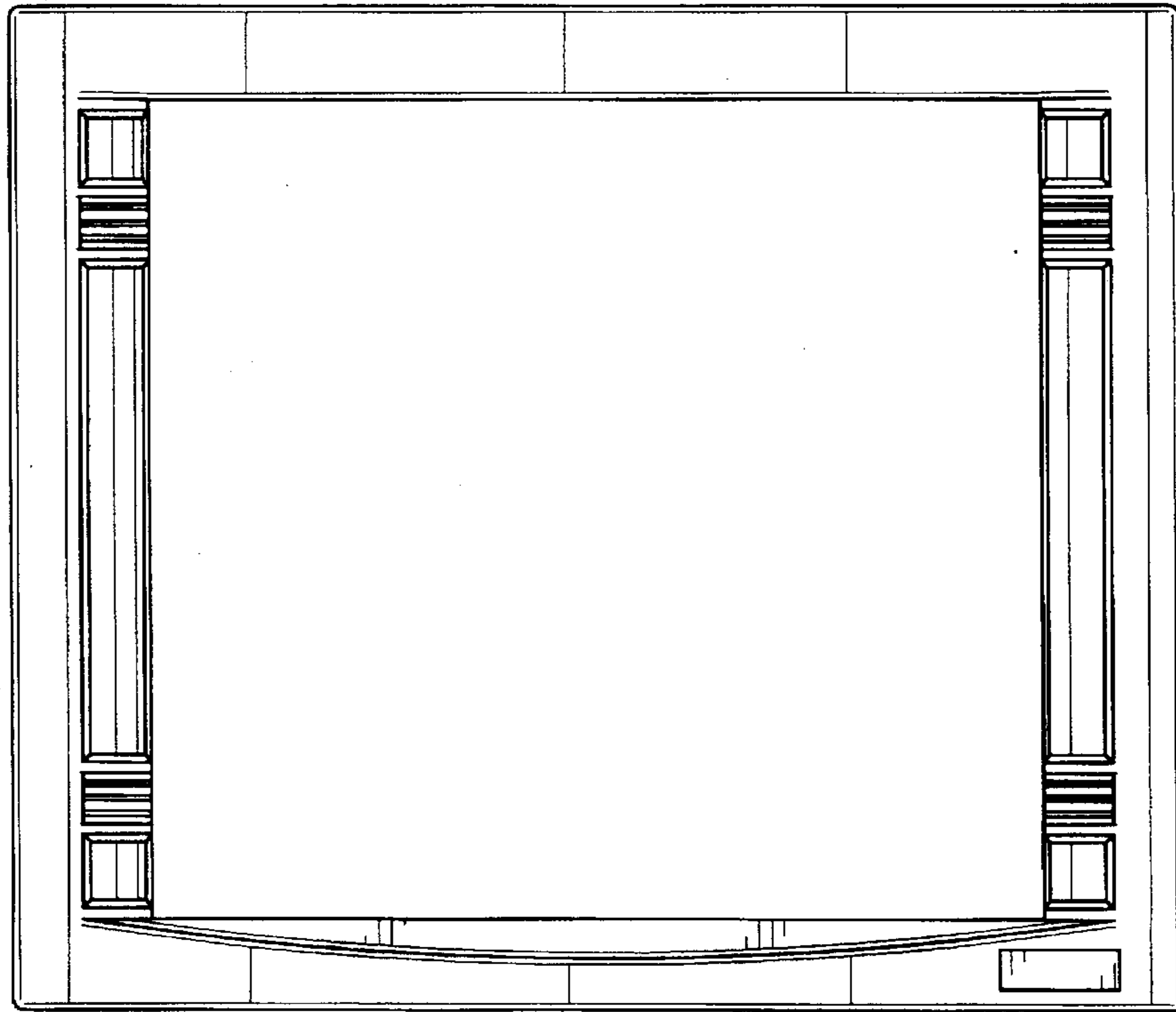


FIG. 3



FIG. 4



FIG. 5

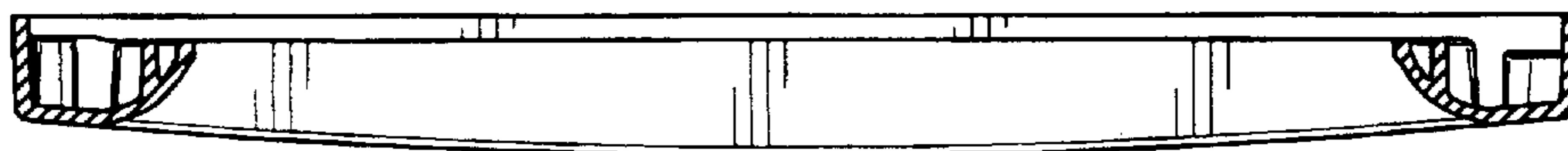


FIG. 6

