



US00D393634S

United States Patent [19]
Stuckey

[11] **Patent Number:** **Des. 393,634**
[45] **Date of Patent:** ****Apr. 21, 1998**

- [54] **ICON FOR A DISPLAY SCREEN**
- [75] **Inventor:** **Kent D. Stuckey**, Columbus, Ohio
- [73] **Assignee:** **CompuServe Incorporated**, Columbus, Ohio
- [**] **Term:** **14 Years**
- [21] **Appl. No.:** **44,141**
- [22] **Filed:** **Sep. 19, 1995**
- [51] **LOC (6) Cl.** **14-02**
- [52] **U.S. Cl.** **D14/114.5**
- [58] **Field of Search** D14/114, 114.1-114.9;
D18/24, 27; D10/11; D19/6; 395/326, 339-40,
347-57

[56] **References Cited**

U.S. PATENT DOCUMENTS

- D. 254,497 3/1980 Dickey D18/33
- D. 295,633 5/1988 Wells-Papanek et al. D18/27
- D. 296,340 6/1988 Wells-Papanek et al. D18/27

OTHER PUBLICATIONS

WordPerfect for Windows 5.1, WordPerfect Corporation, law graphic, from graphic file, 1992.
 The Icon Book, William Horton, John Wiley & Sons, Inc., balance and book icons, p. 377, world icon, p. 395, 1994.
 Corel Gallery Clipart Catalog, Corel Corp., book image, p. 77, world2 image, p.210, 1994.
 Symbol Sourcebook, Henry Drefuss, Van Nostrand Reinhold, libra symbol, p.89, balance symbol, p.98, 1972.
 Daytimer Organizer for Windows User's Guide, Day Timers Inc., global list icon, p.6, 1994.

Microsoft Windows User's Guide, version 3.1, Microsoft, international icon, p.140, 1992.
 Tops for Macintosh, Centram Systems West, all zones icon, p.8, 1987.
 World Atlas User's Guide, Software Toolworks, world atlas entry icon, p.84, 1991.

Primary Examiner—M. H. Tung
Attorney, Agent, or Firm—Standley & Gilcrest

[57] **CLAIM**

The ornamental design for a icon for display screen, as shown and described.

DESCRIPTION

FIG. 1 is a front view of an icon for a display screen, the broken line drawing of a display screen is for illustrative purposes only and forms no part of the claimed design;
 FIG. 2 is a front view of a second embodiment thereof, on an enlarged scale, the icon is shown separately for clarity of illustration;
 FIG. 3 is a front view of a third embodiment thereof, on an enlarged scale, the icon is shown separately for clarity of illustration;
 FIG. 4 is a front view of a fourth embodiment thereof, on an enlarged scale, the icon is shown separately for clarity of illustration;
 FIG. 5 is a front view of a fifth embodiment thereof, on an enlarged scale, the icon is shown separately for clarity of illustration; and,
 FIG. 6 is a front view of the embodiment shown in FIG. 5, the broken line drawing of a display screen is for illustrative purposes only and forms no part of the claimed design.

1 Claim, 4 Drawing Sheets

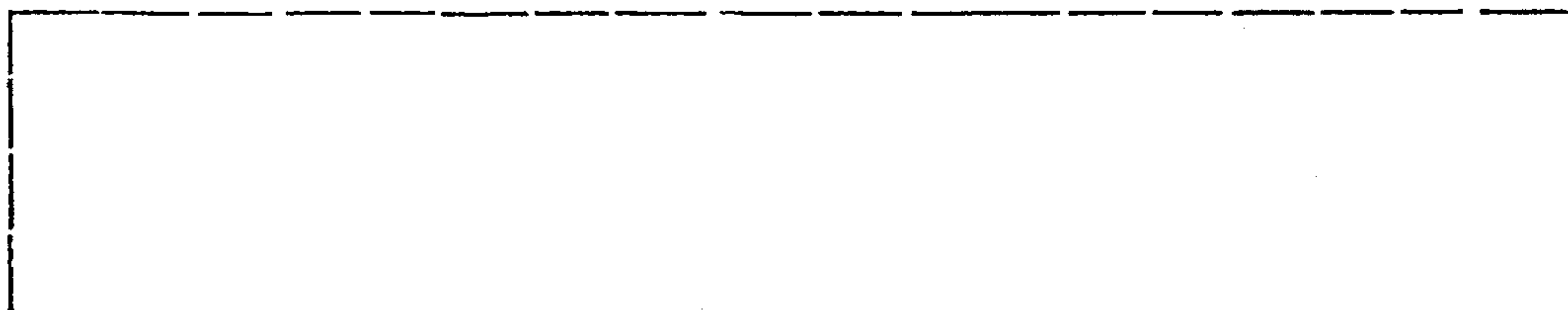
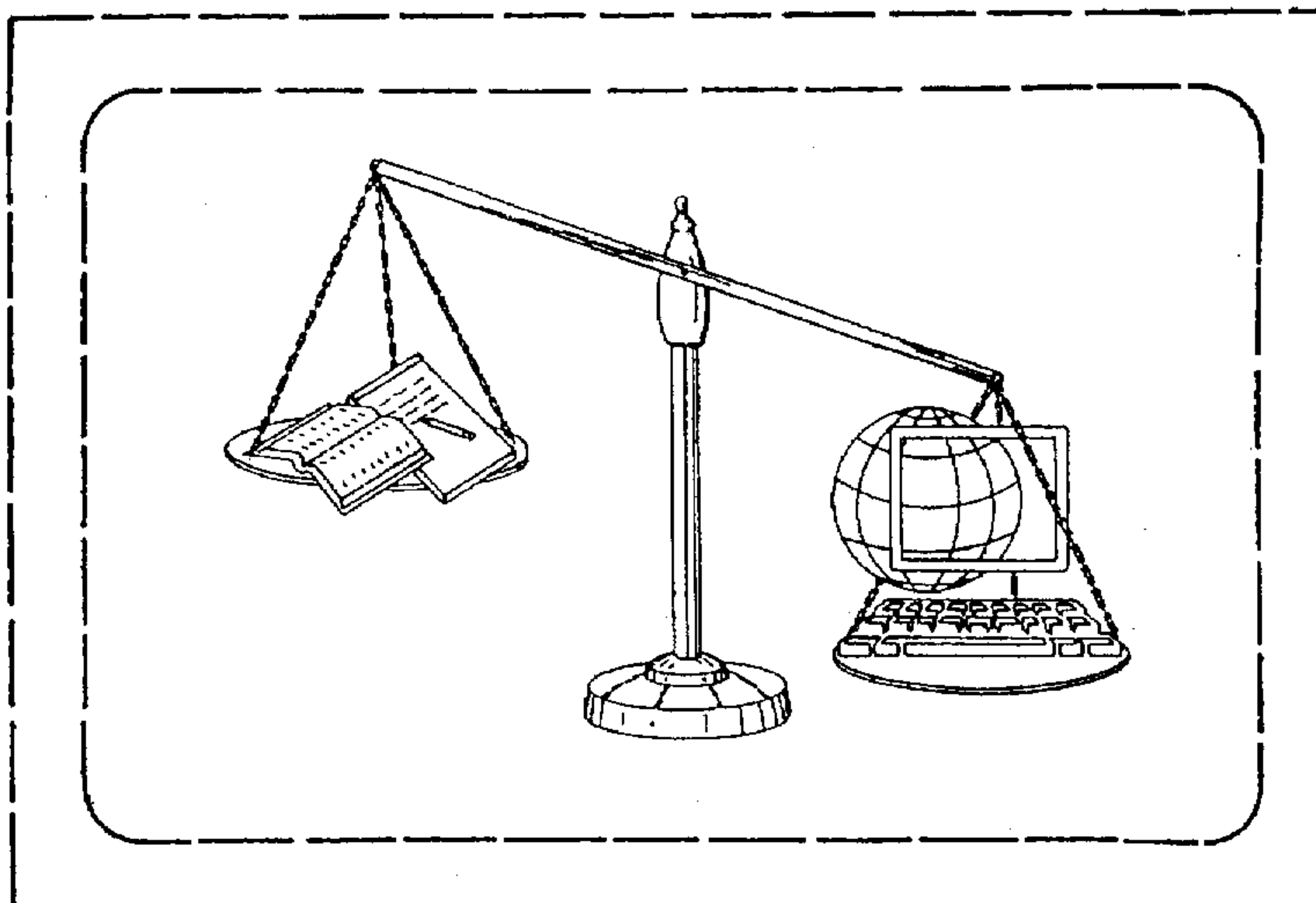
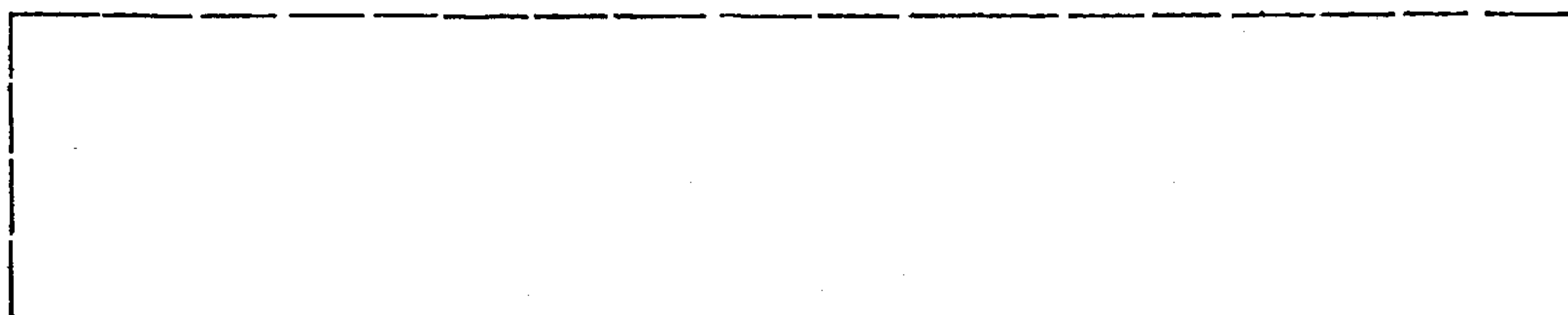
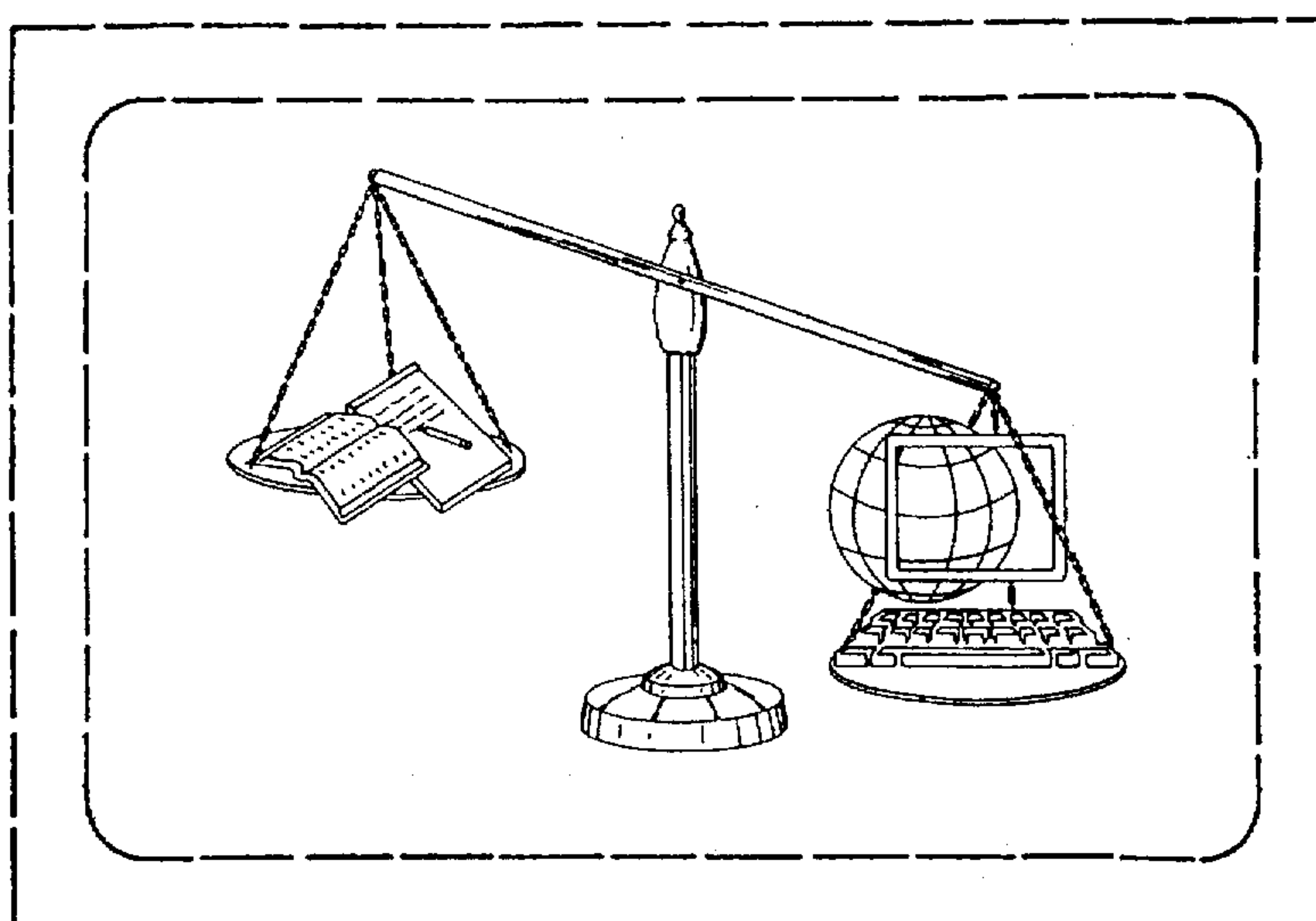


Fig. 1



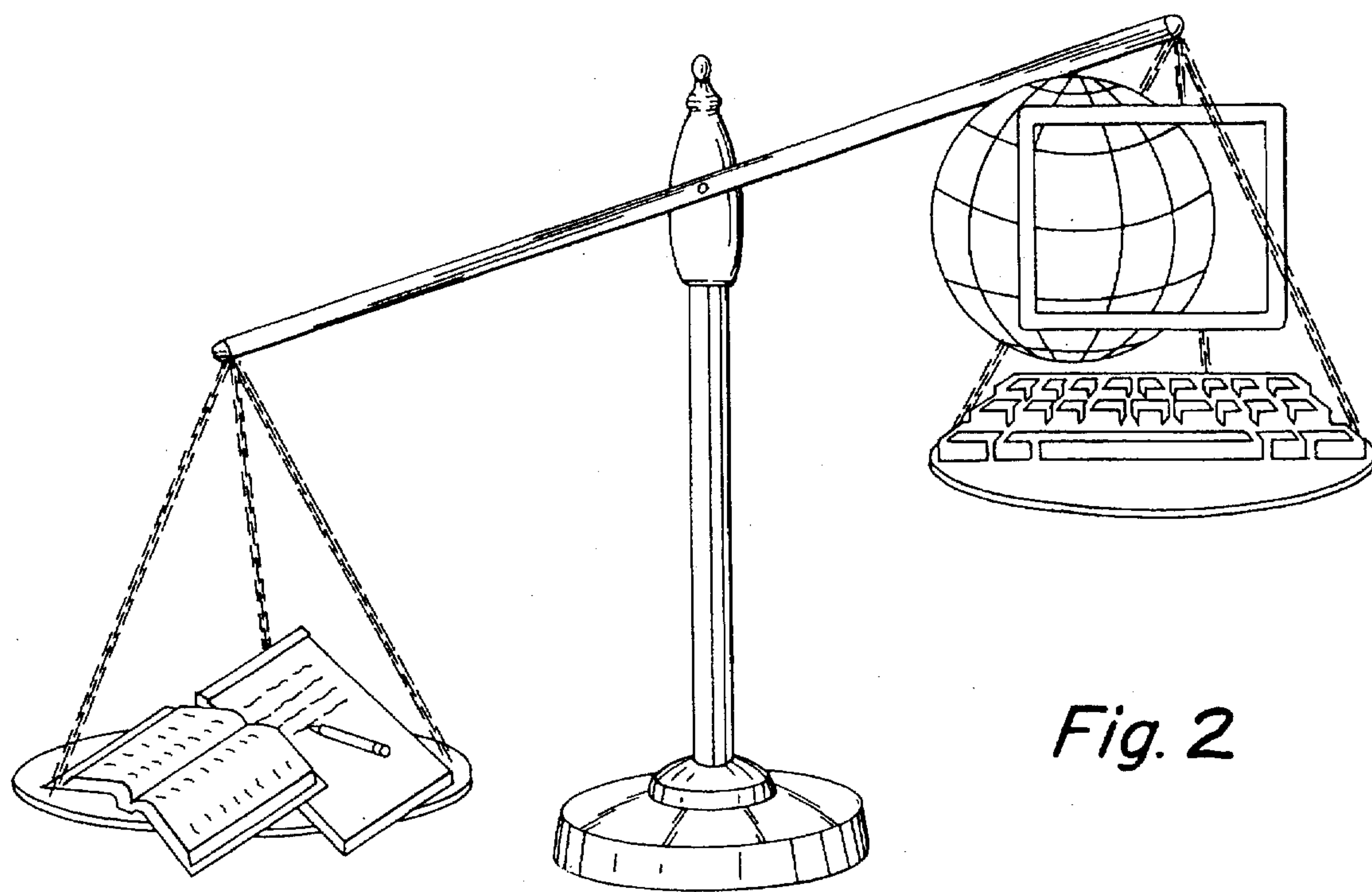


Fig. 2

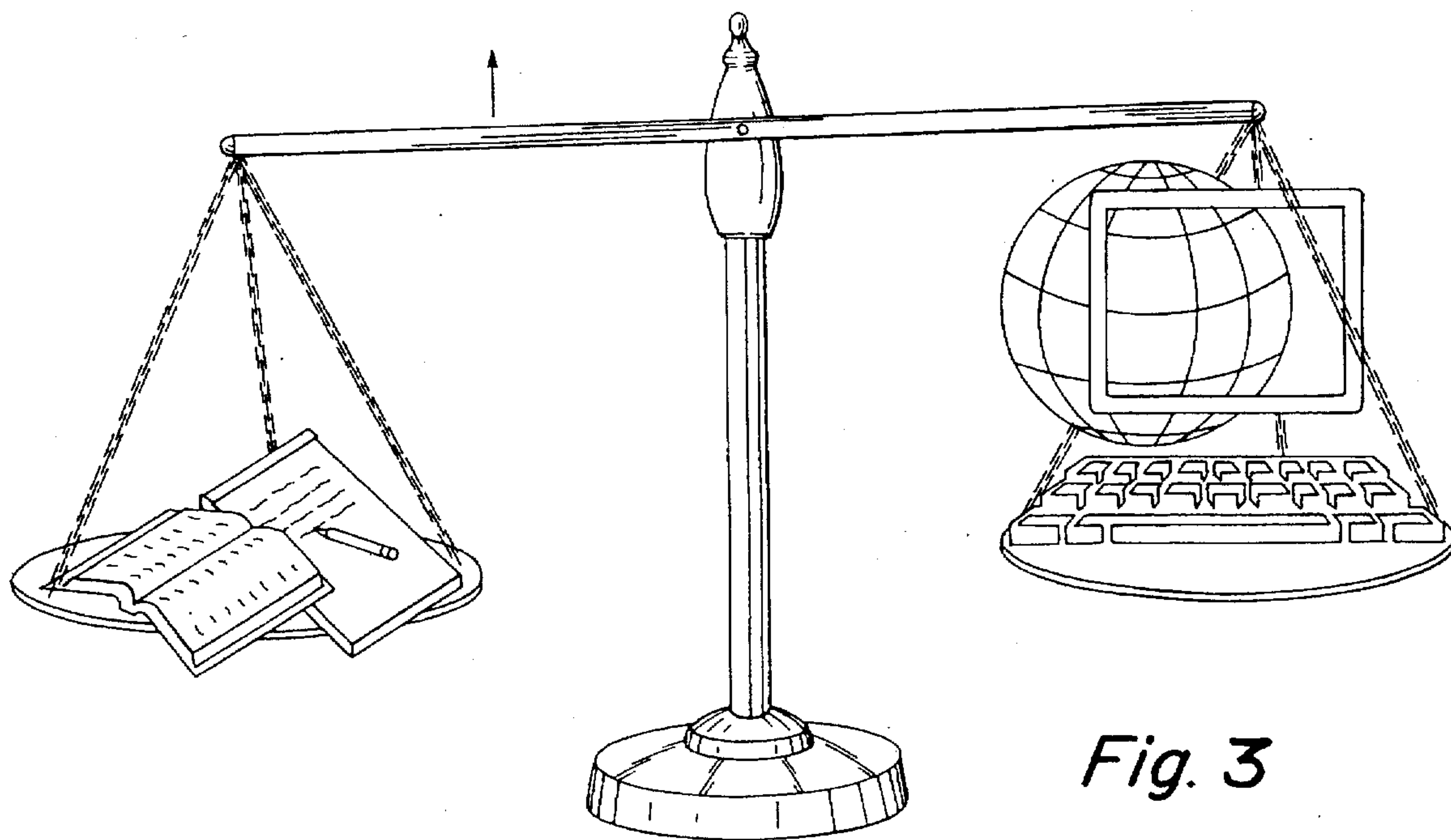


Fig. 3

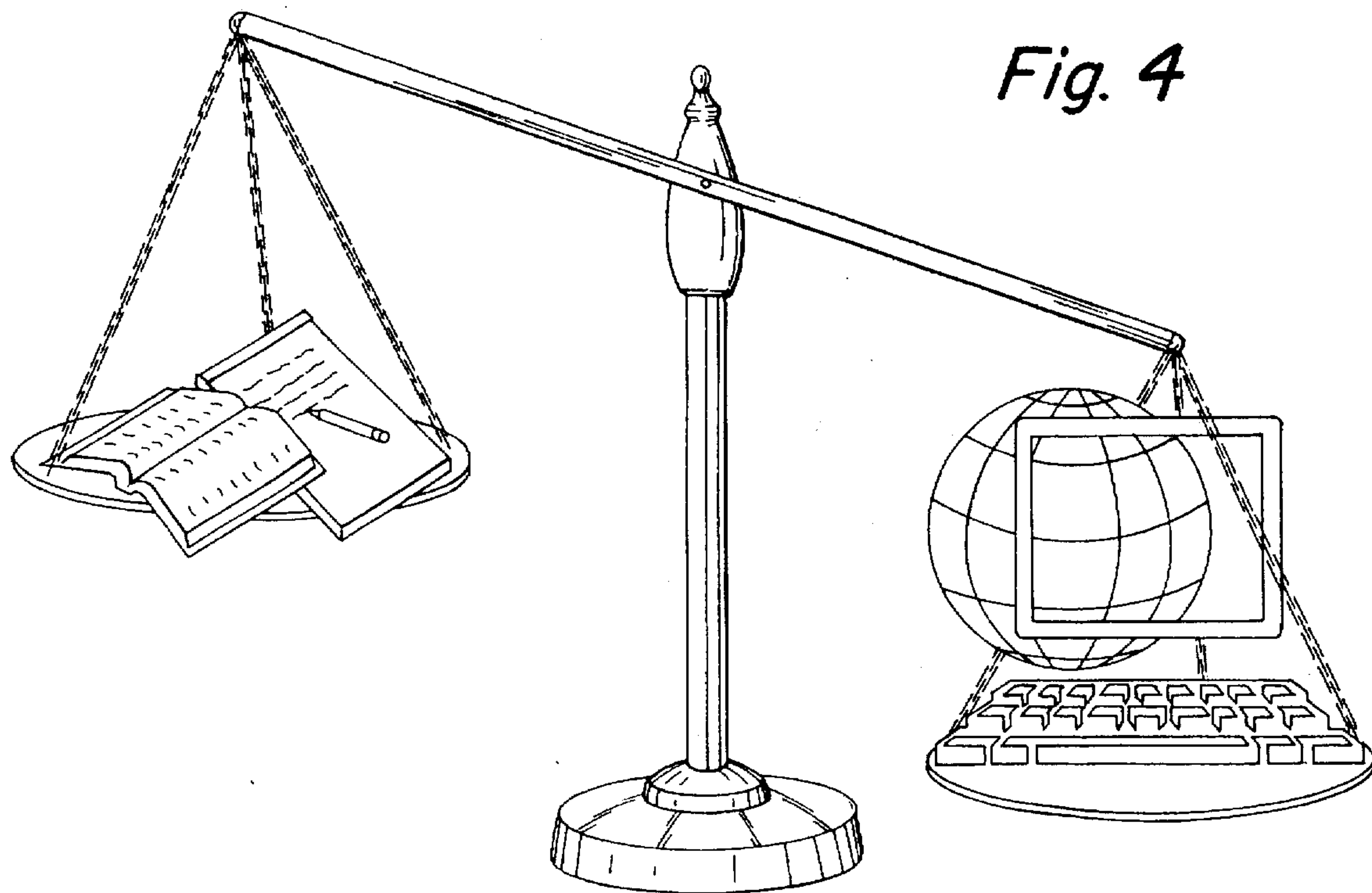


Fig. 4

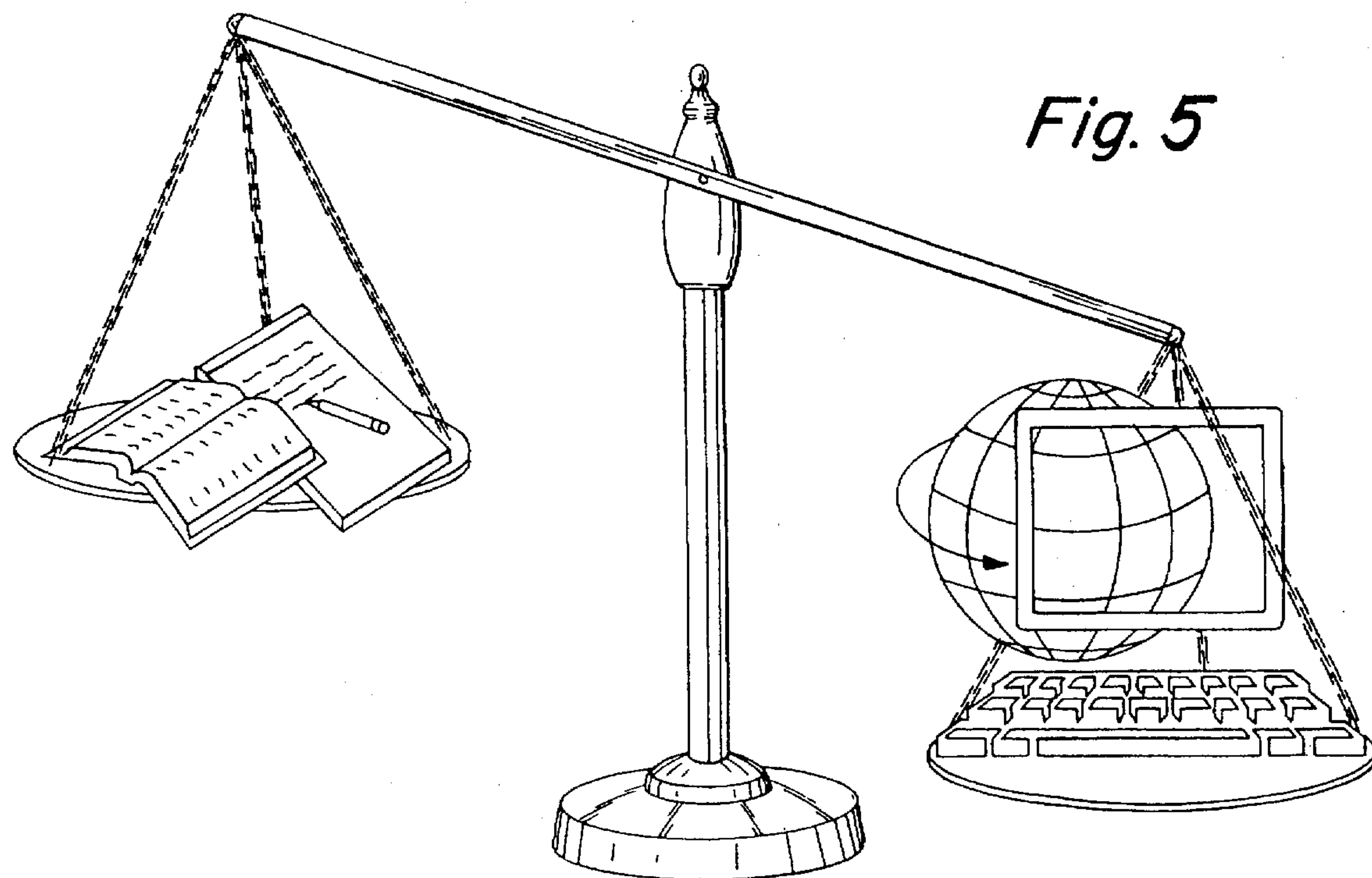


Fig. 5

Fig. 6

