



US00D393632S

United States Patent [19]

Sherry

[11] Patent Number: Des. 393,632

[45] Date of Patent: **Apr. 21, 1998

[54] **COMBINED CHASSIS AND MODULES THEREFOR**

[76] Inventor: **Raymond C. Sherry**, 4221 Saint Leger Dr., Cleburne, Tex. 76031

[**] Term: **14 Years**

[21] Appl. No.: **53,381**

[22] Filed: **Apr. 19, 1996**

[51] **LOC (6) Cl.** **14-02**

[52] **U.S. Cl.** **D14/107**

[58] **Field of Search** D14/100, 102, D14/107-109; D13/162, 184, 199; 312/208.1; 360/97.01, 97.04, 99.01; 361/728-736

[56] **References Cited**

U.S. PATENT DOCUMENTS

- D. 316,546 4/1991 Pedinielli et al. D14/107
- D. 348,257 6/1994 Wingate D14/114

Primary Examiner—Freda Nunn
Attorney, Agent, or Firm—Sidley & Austin

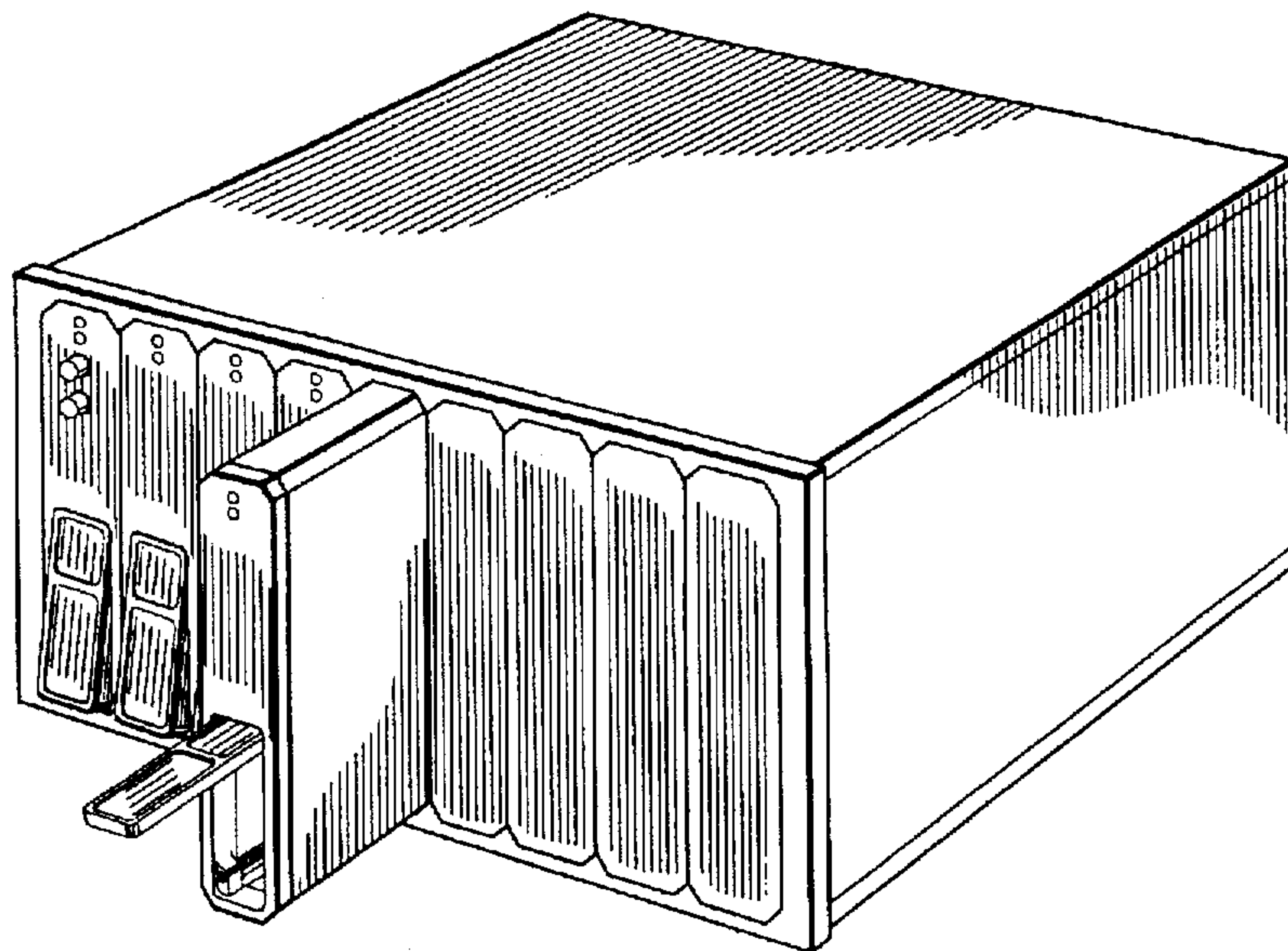
[57] **CLAIM**

The ornamental design for a combined chassis and modules therefor, as shown and described.

DESCRIPTION

FIG. 1 is a perspective view of the combined chassis and modules therefor embodying my design;
 FIG. 2 is a front view thereof;
 FIG. 3 is a right side view thereof;
 FIG. 4 is a top view thereof;
 FIG. 5 is a bottom view thereof;
 FIG. 6 is a left side view thereof;
 FIG. 7 is a back view thereof; and,
 FIG. 8 is a perspective view with one module partially removed from the chassis.

1 Claim, 3 Drawing Sheets



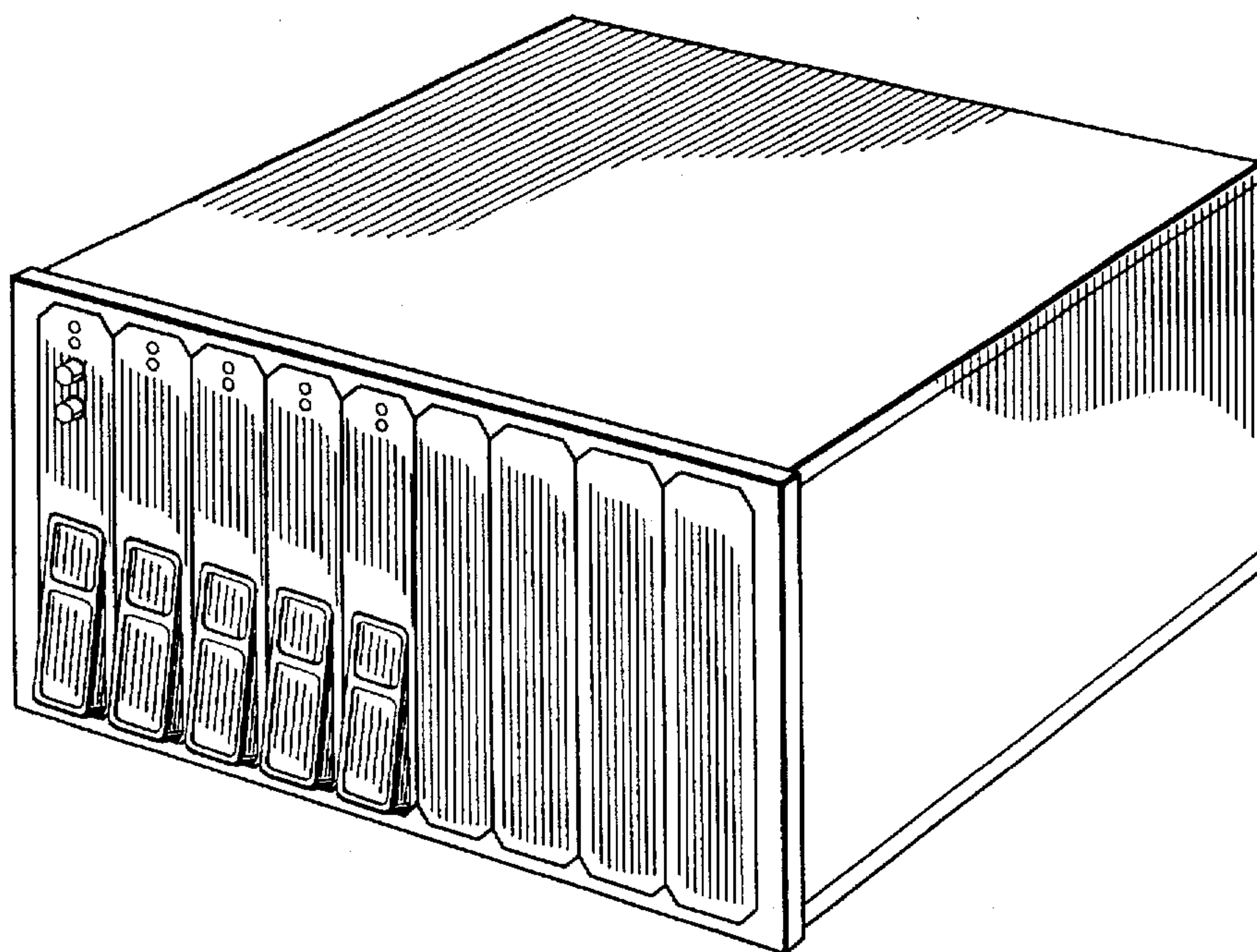


FIG. 1

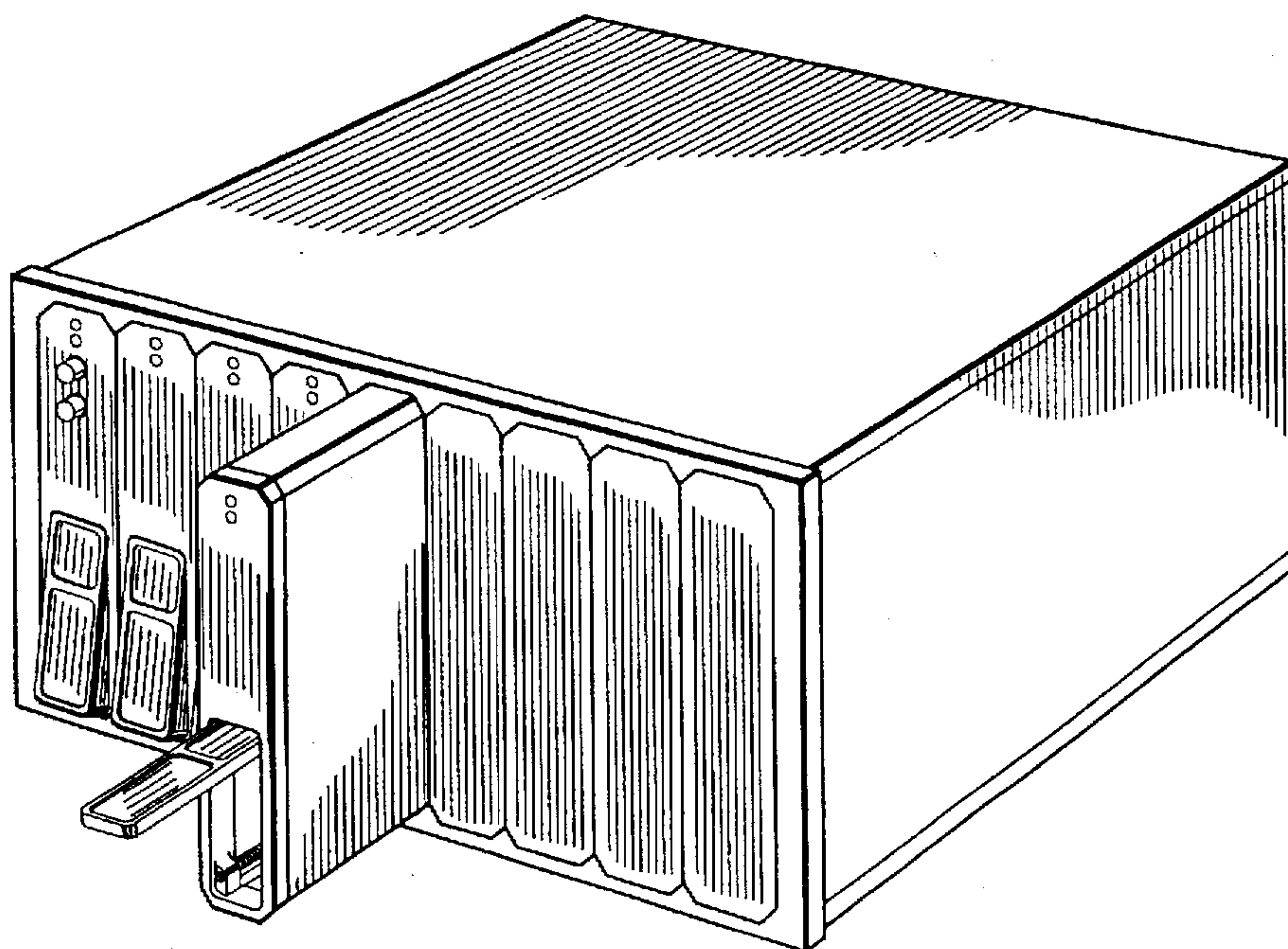


FIG. 8

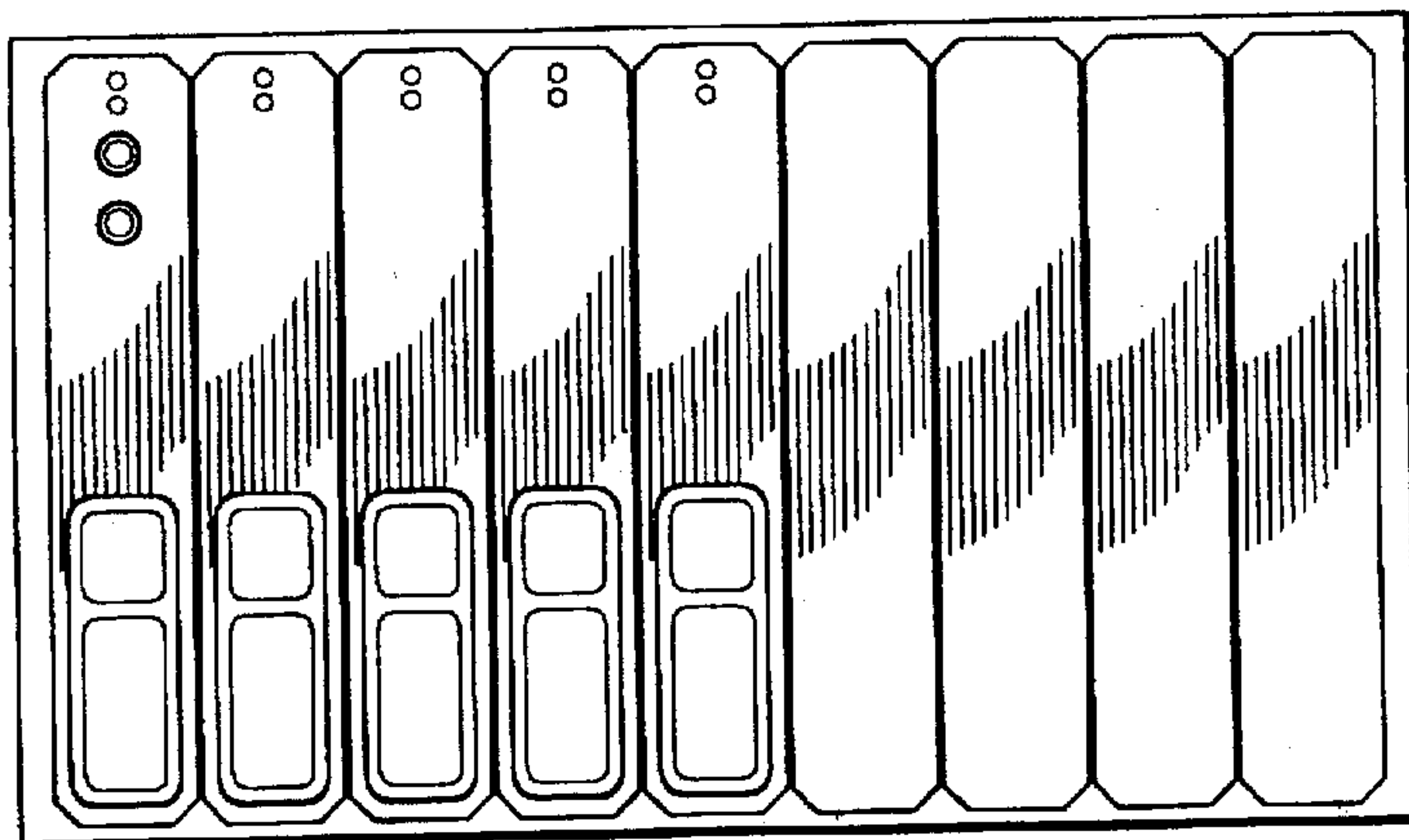


FIG. 2

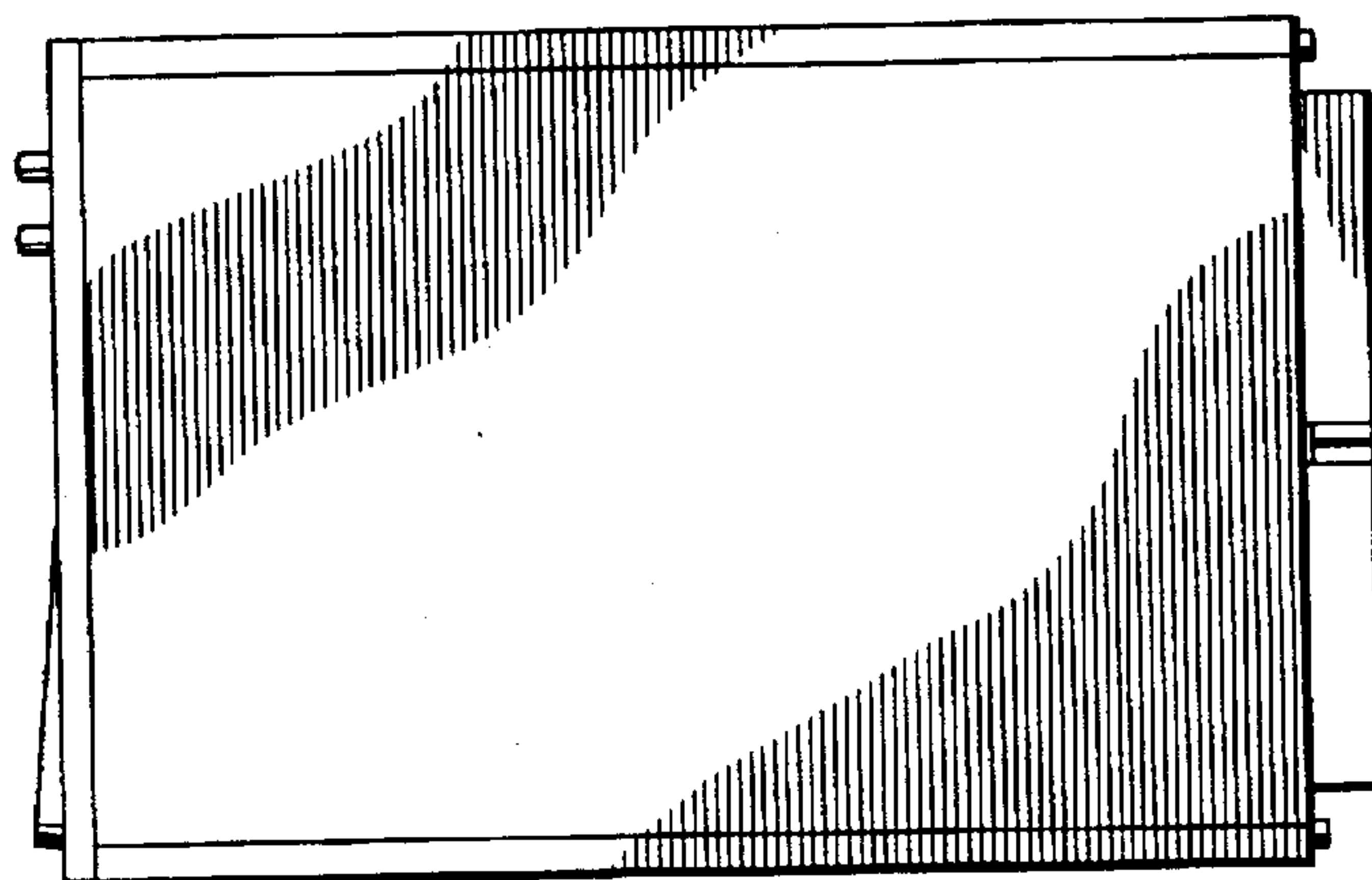


FIG. 3

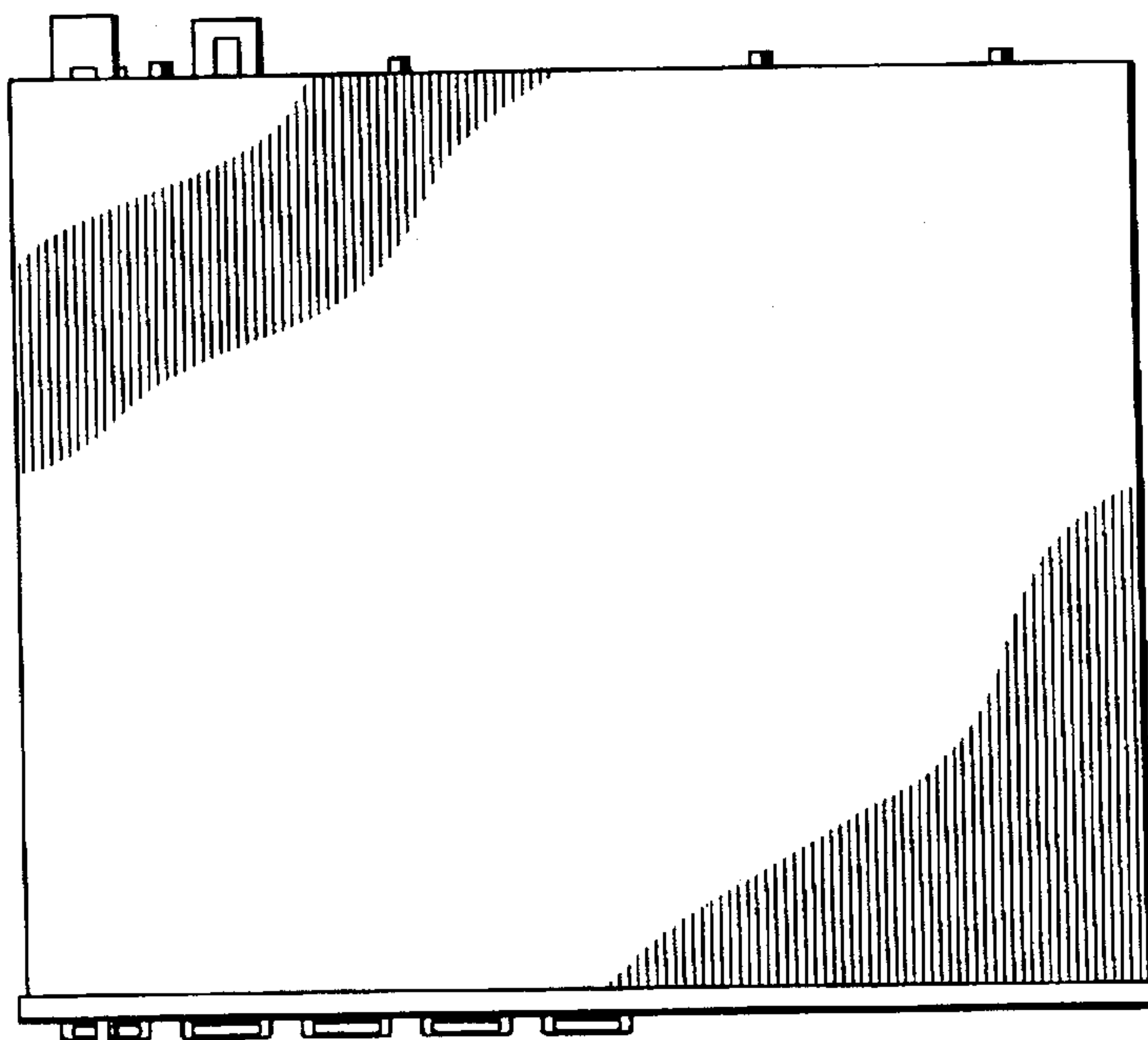


FIG. 4

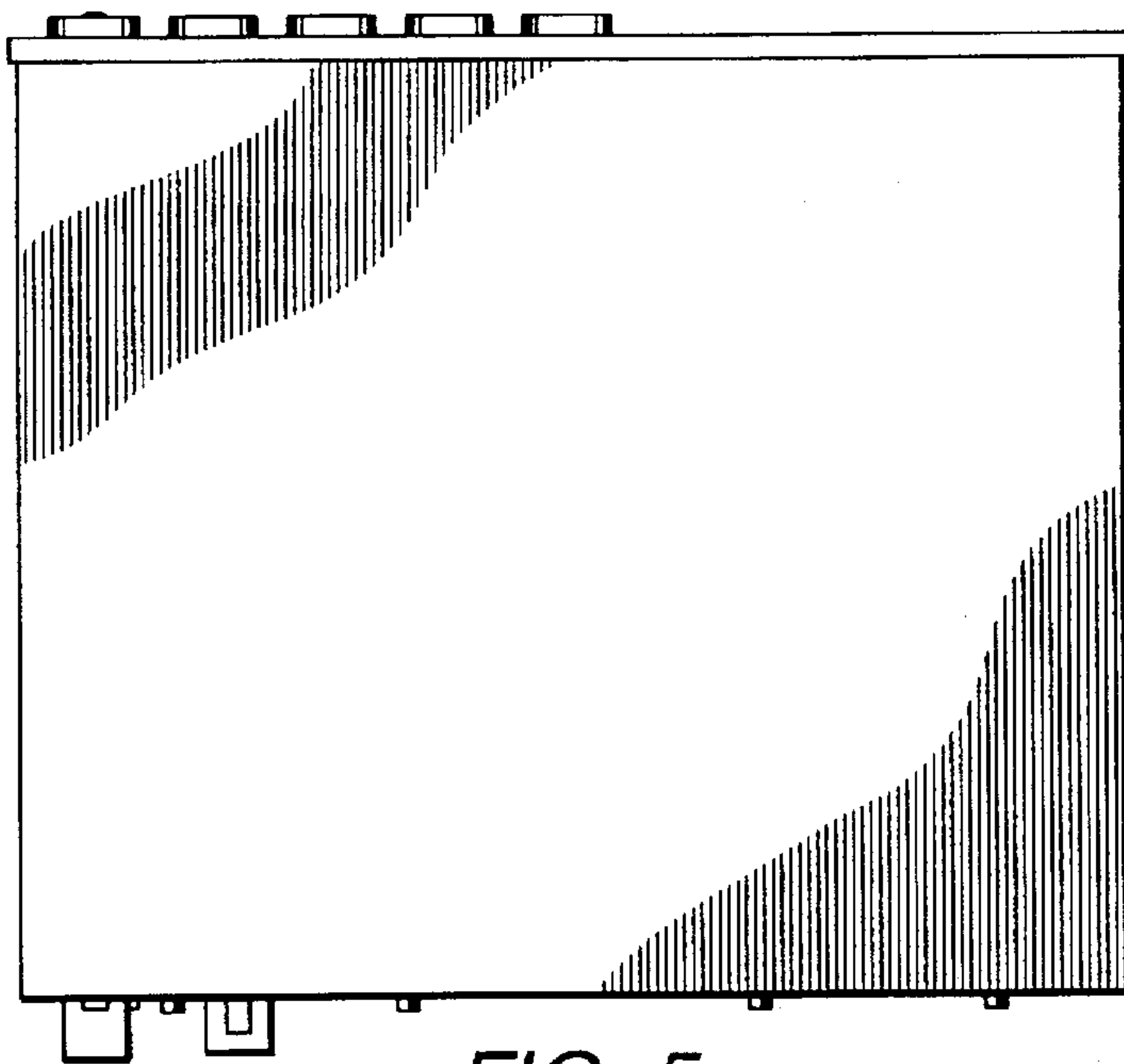


FIG. 5

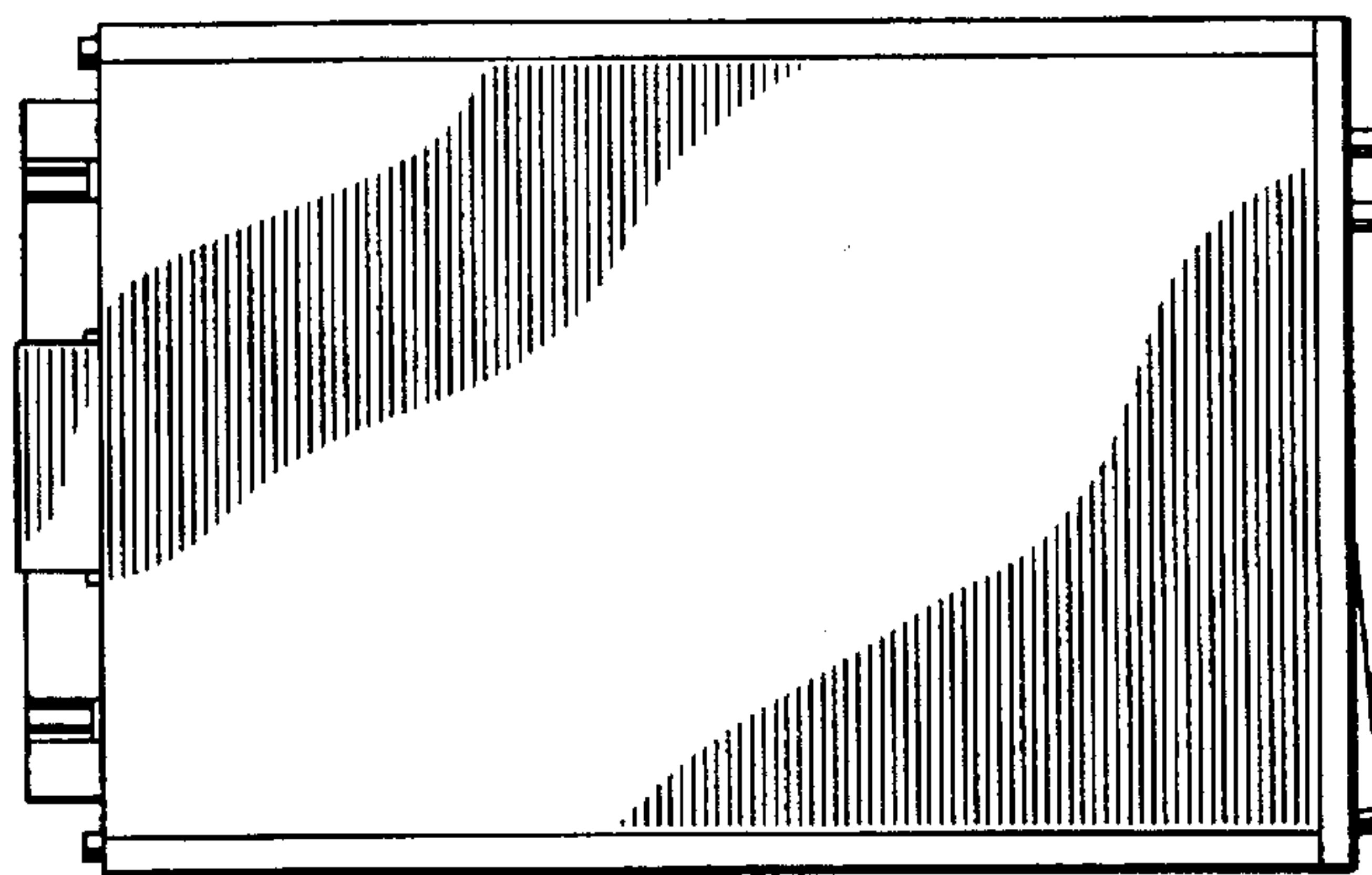


FIG. 6

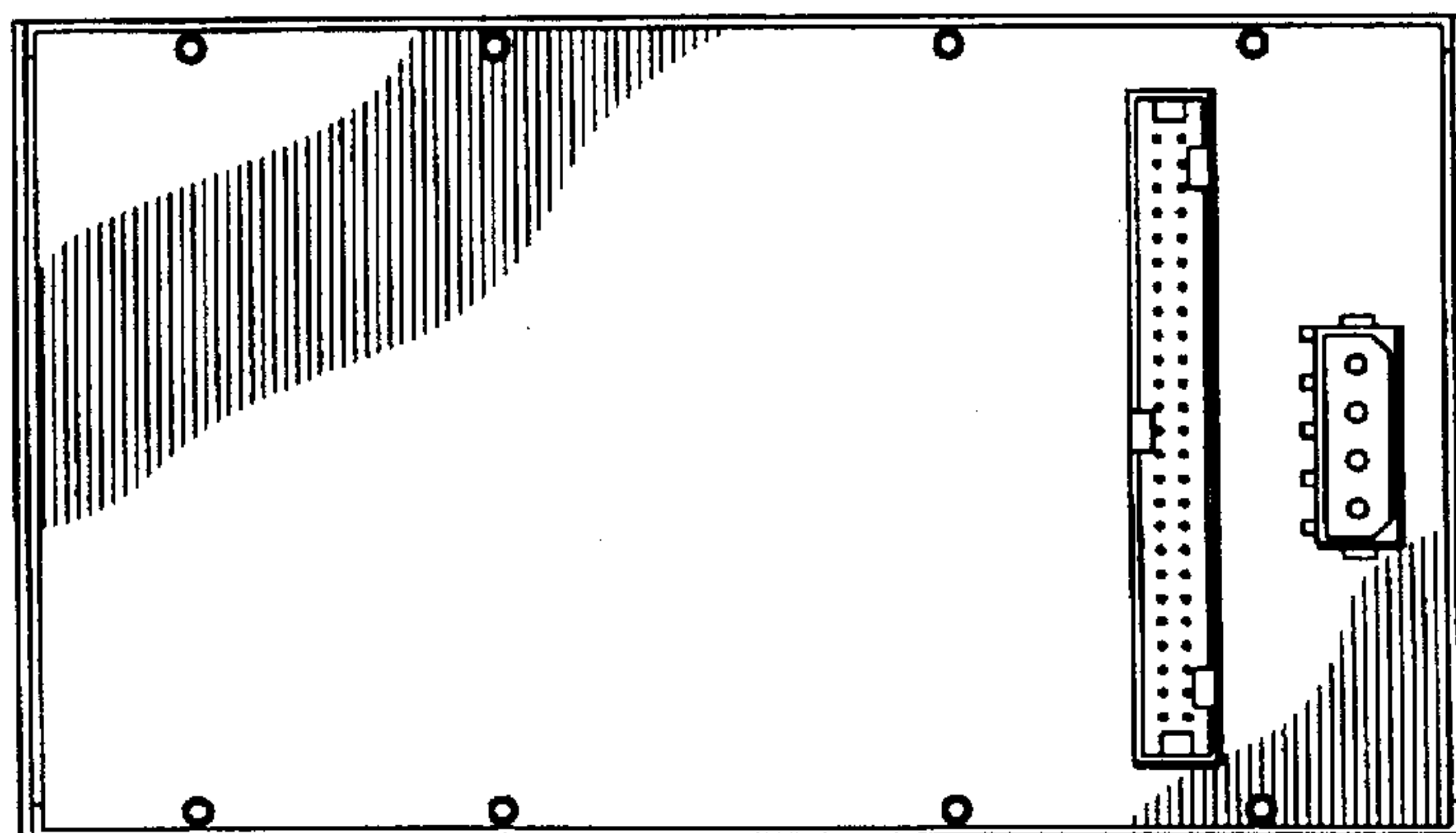


FIG. 7