



US00D393627S

# United States Patent [19]

[11] Patent Number: Des. 393,627

Veal

[45] Date of Patent: \*\*Apr. 21, 1998

[54] HOUSING AND LIFT ARM FOR  
AUTOMATIC FLUSH CONTROL DEVICE

[76] Inventor: Bennie N. Veal, 6621 Park Valley Dr.,  
Clarkston, Mich. 48348

[\*\*] Term: 14 Years

[21] Appl. No.: 49,527

[22] Filed: Jan. 26, 1996

[51] LOC (6) Cl. .... 13-03

[52] U.S. Cl. .... D13/162; D23/309

[58] Field of Search ..... D13/158-178,  
D13/199; D23/303, 309, 313; 4/213, 296.1,  
313, 317, 321, 323, DIG. 3

[56] References Cited

U.S. PATENT DOCUMENTS

|            |         |                   |         |
|------------|---------|-------------------|---------|
| D. 352,100 | 11/1994 | Veal .            |         |
| D. 370,057 | 5/1996  | Muderlak .....    | D23/309 |
| 5,307,524  | 5/1994  | Veal .....        | 4/246.1 |
| 5,313,673  | 5/1994  | Saadi et al. .... | 4/313   |
| 5,603,127  | 2/1997  | Veal .....        | 4/246.1 |

Primary Examiner—James Gandy  
Assistant Examiner—Cathron B. Matta  
Attorney, Agent, or Firm—Harness, Dickey & Pierce, P.L.C.

[57] CLAIM

The ornamental design for a housing and lift arm for an automatic flush control device, as shown and described.

DESCRIPTION

FIG. 1 is a perspective view of a housing and lift arm for an automatic flush control device showing my new design, where the phantom lines defining the toilet, plug and outlet are for illustrative purposes only and form no part of the claimed design;

FIG. 2 is a detailed perspective view of the housing and lift arm of FIG. 1 shown at an enlarged scale;

FIG. 3 is a front view of the control housing and lift arm of FIG. 1 shown at an enlarged scale;

FIG. 4 is a back view of the housing and lift arm of FIG. 1 shown at an enlarged scale;

FIG. 5 is a left side view of the housing and lift arm of FIG. 1 shown at an enlarged scale;

FIG. 6 is a right side view of the housing and lift arm of FIG. 1 shown at an enlarged scale;

FIG. 7 is a top view of the housing and lift arm of FIG. 1 shown at an enlarged scale; and,

FIG. 8 is a bottom plan view of the housing and lift arm of FIG. 1 shown at an enlarged scale.

1 Claim, 3 Drawing Sheets

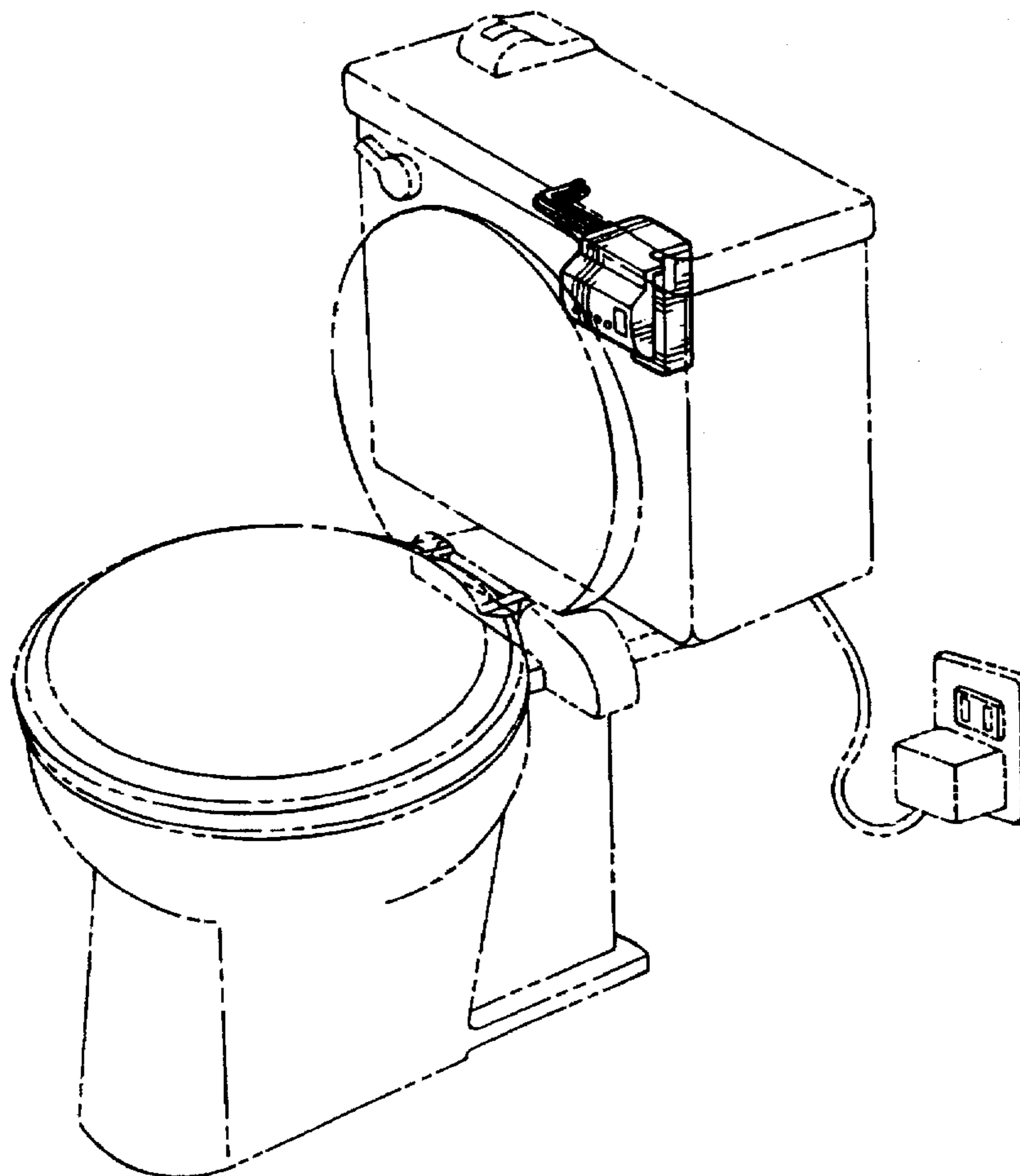


Fig - 1

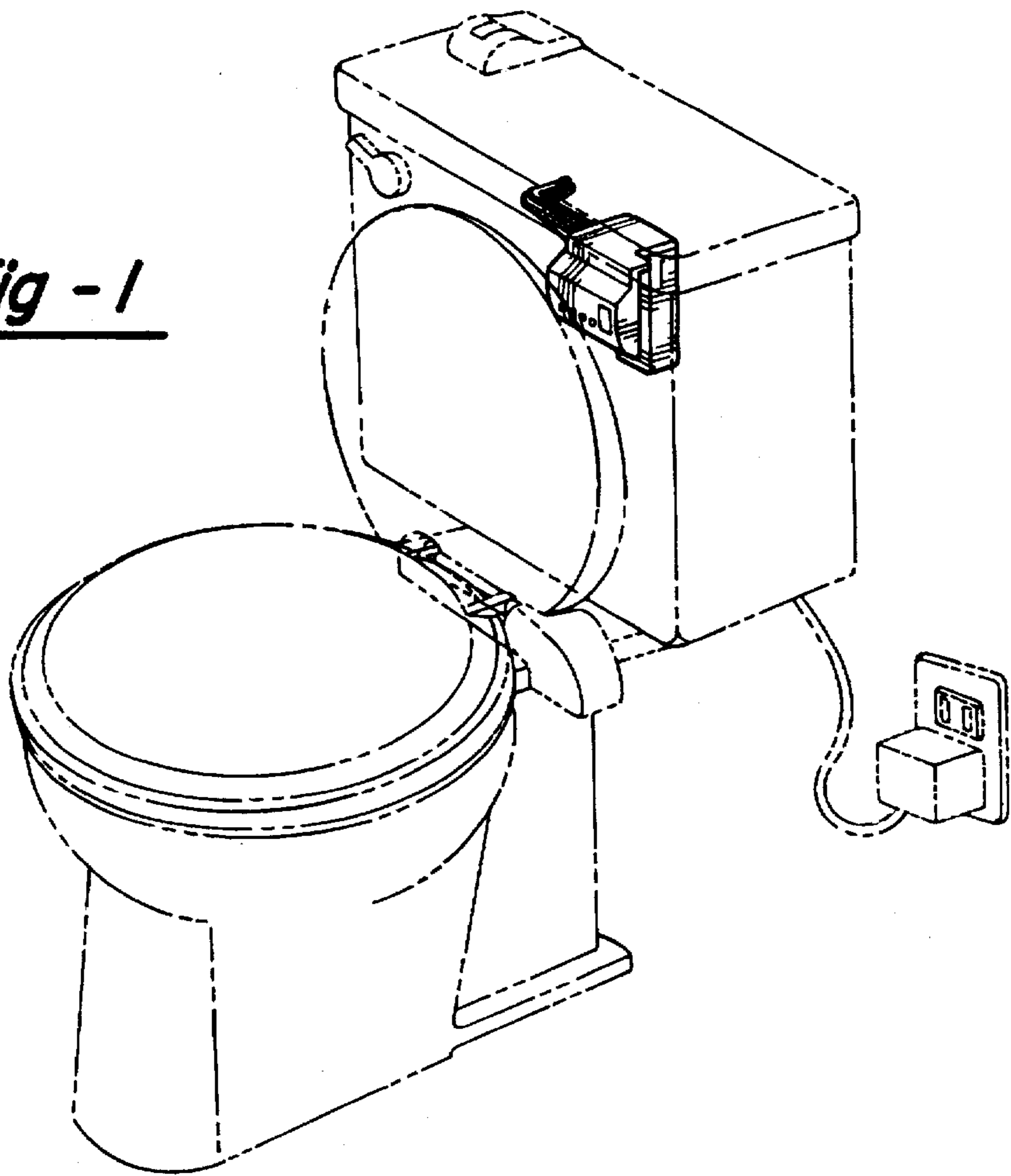
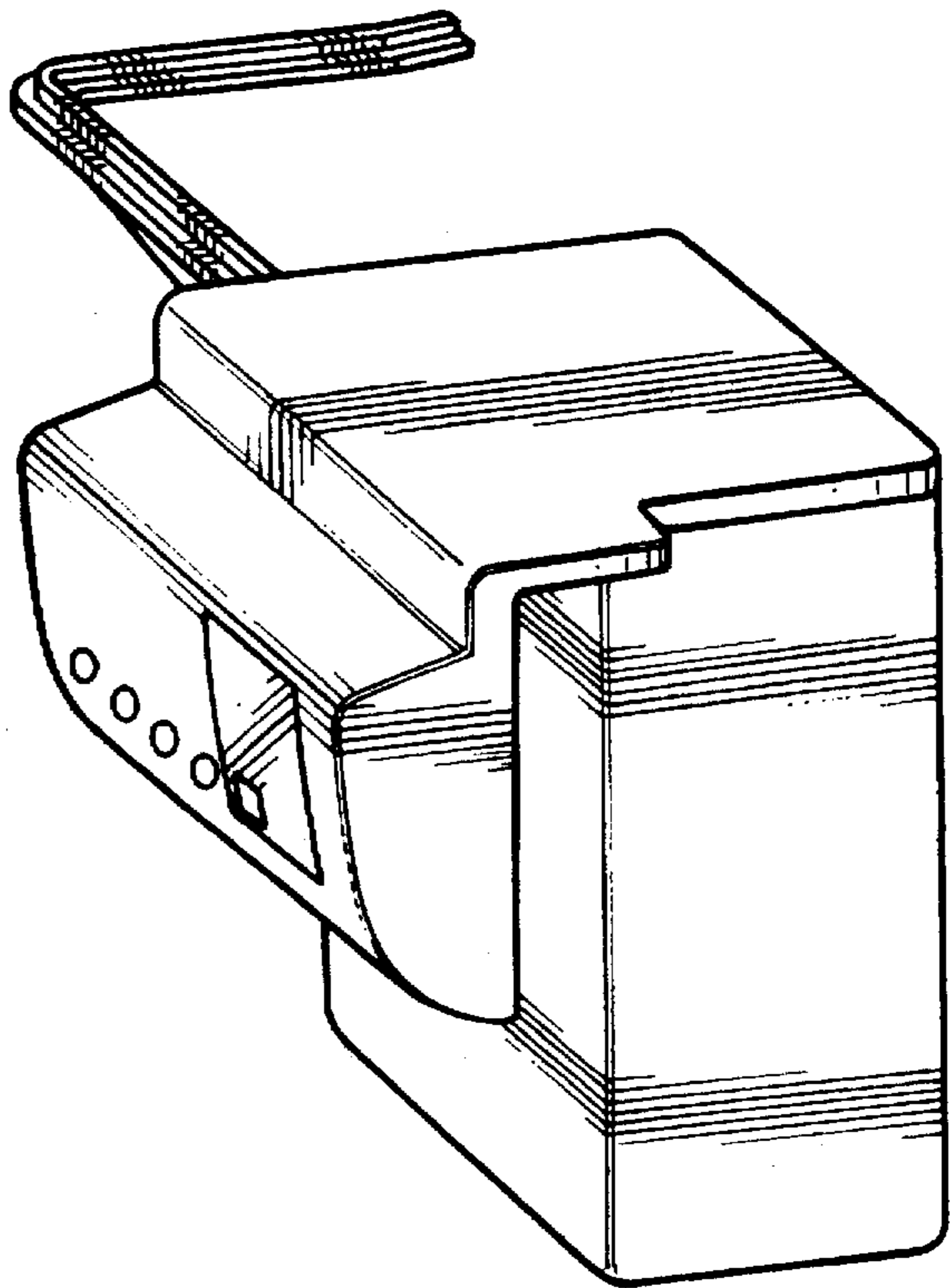


Fig - 2



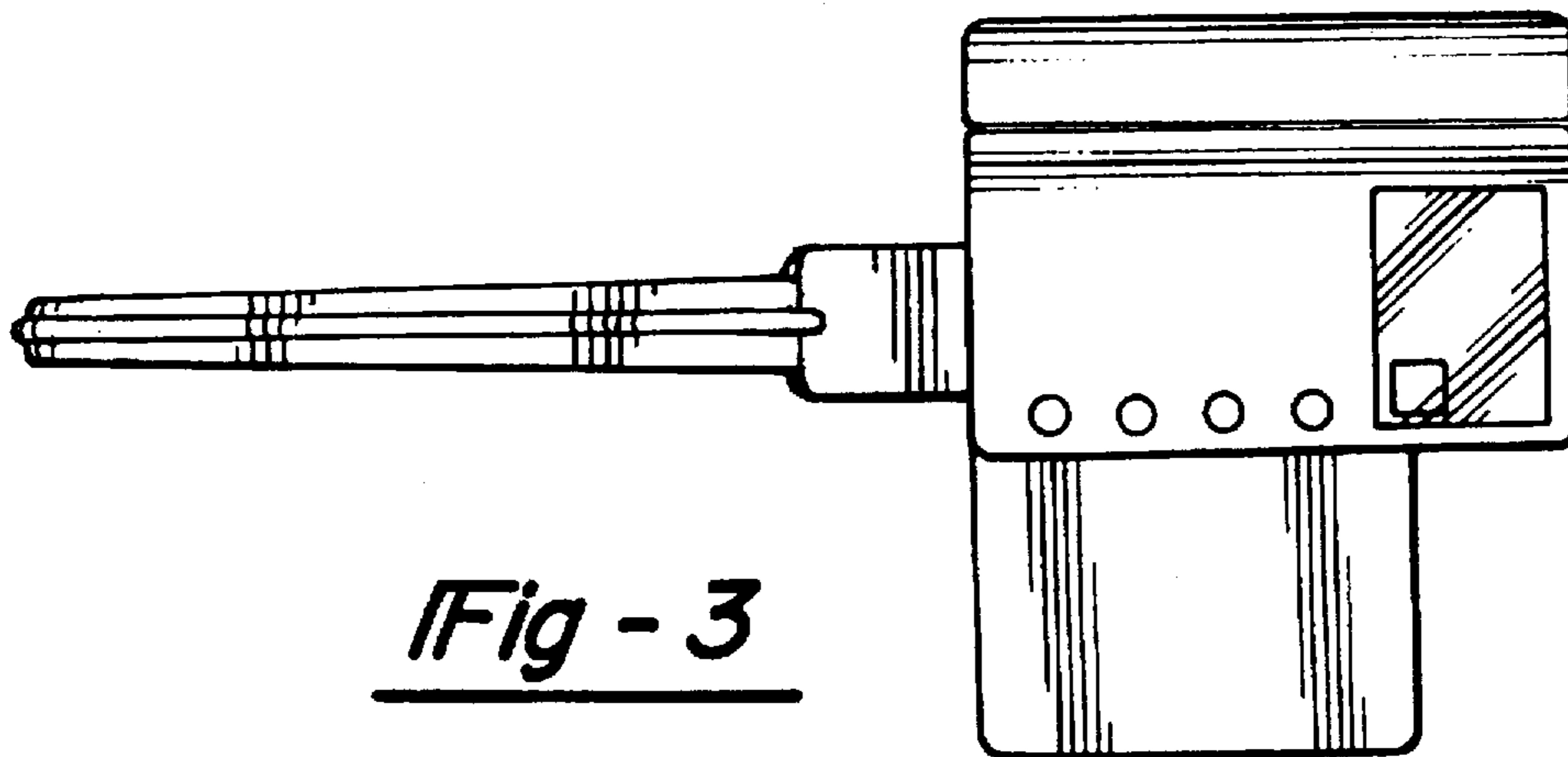


Fig - 3

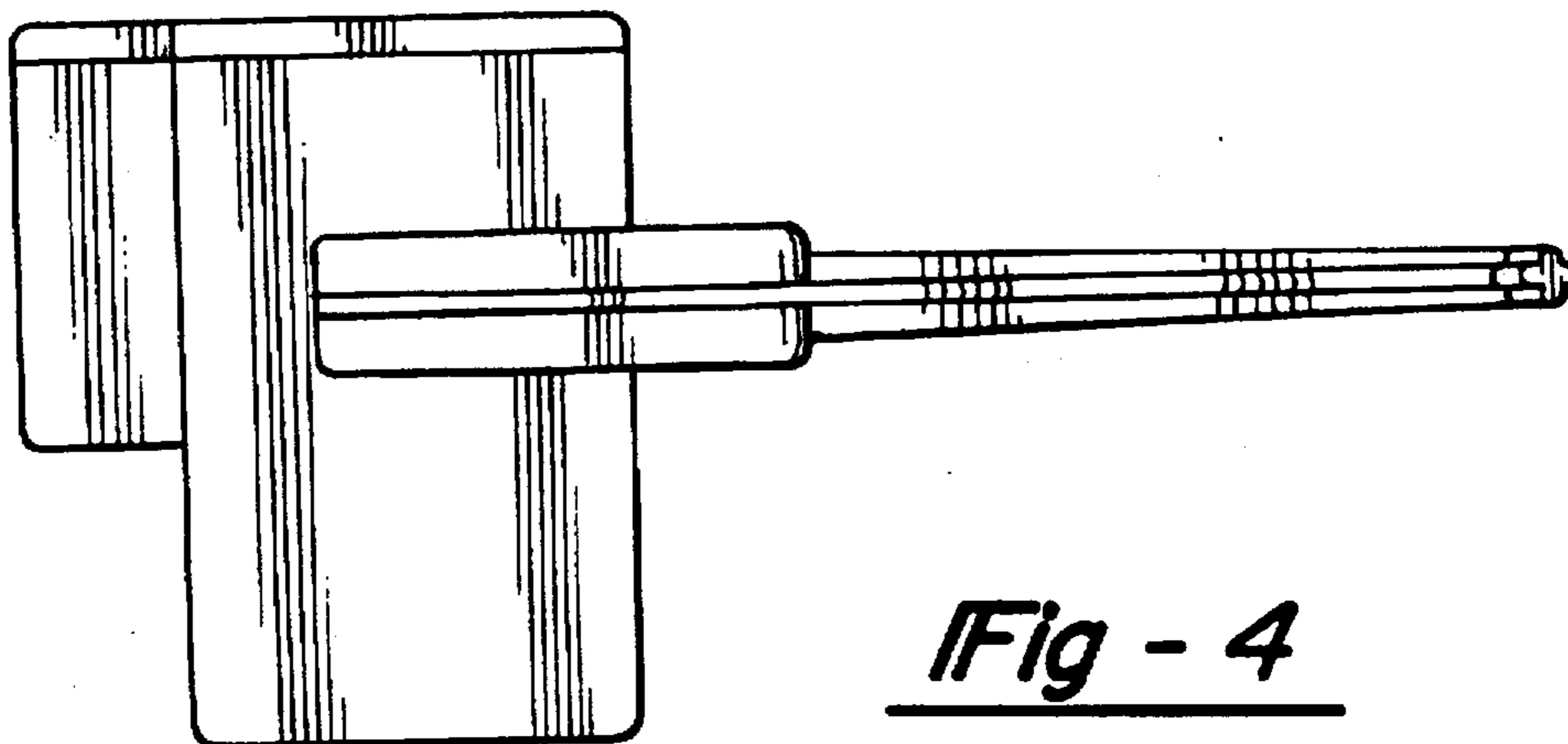


Fig - 4

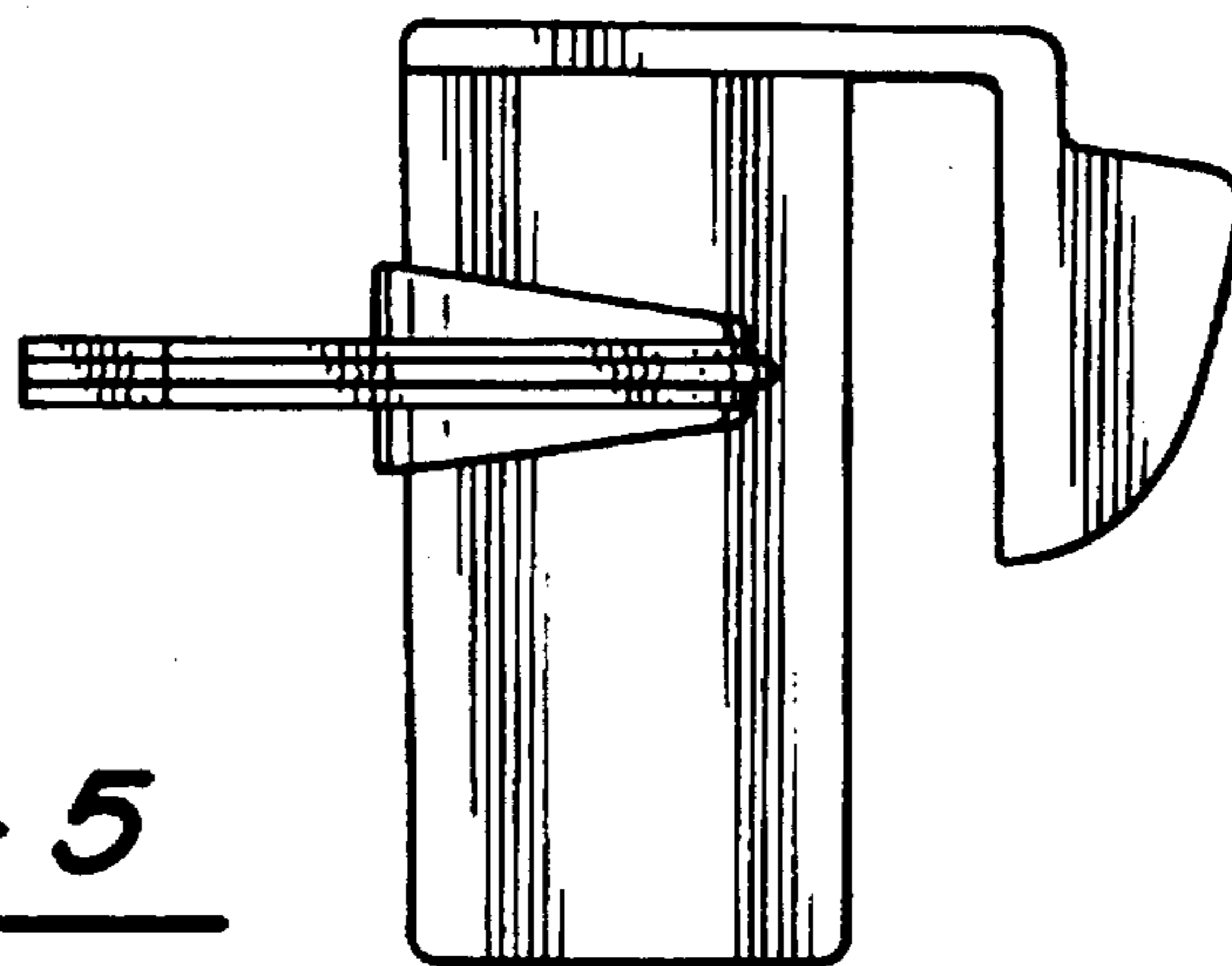


Fig - 5

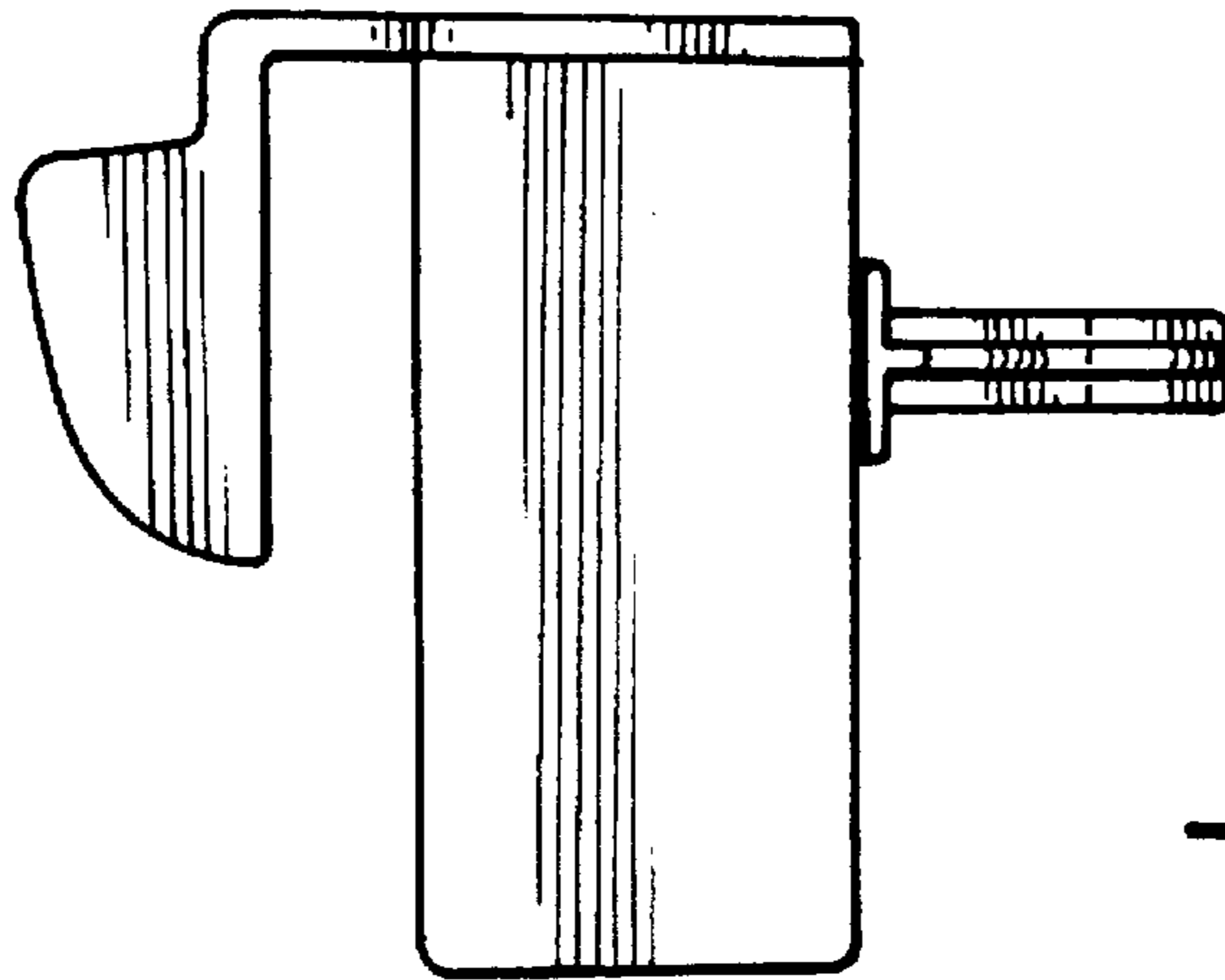


Fig - 6

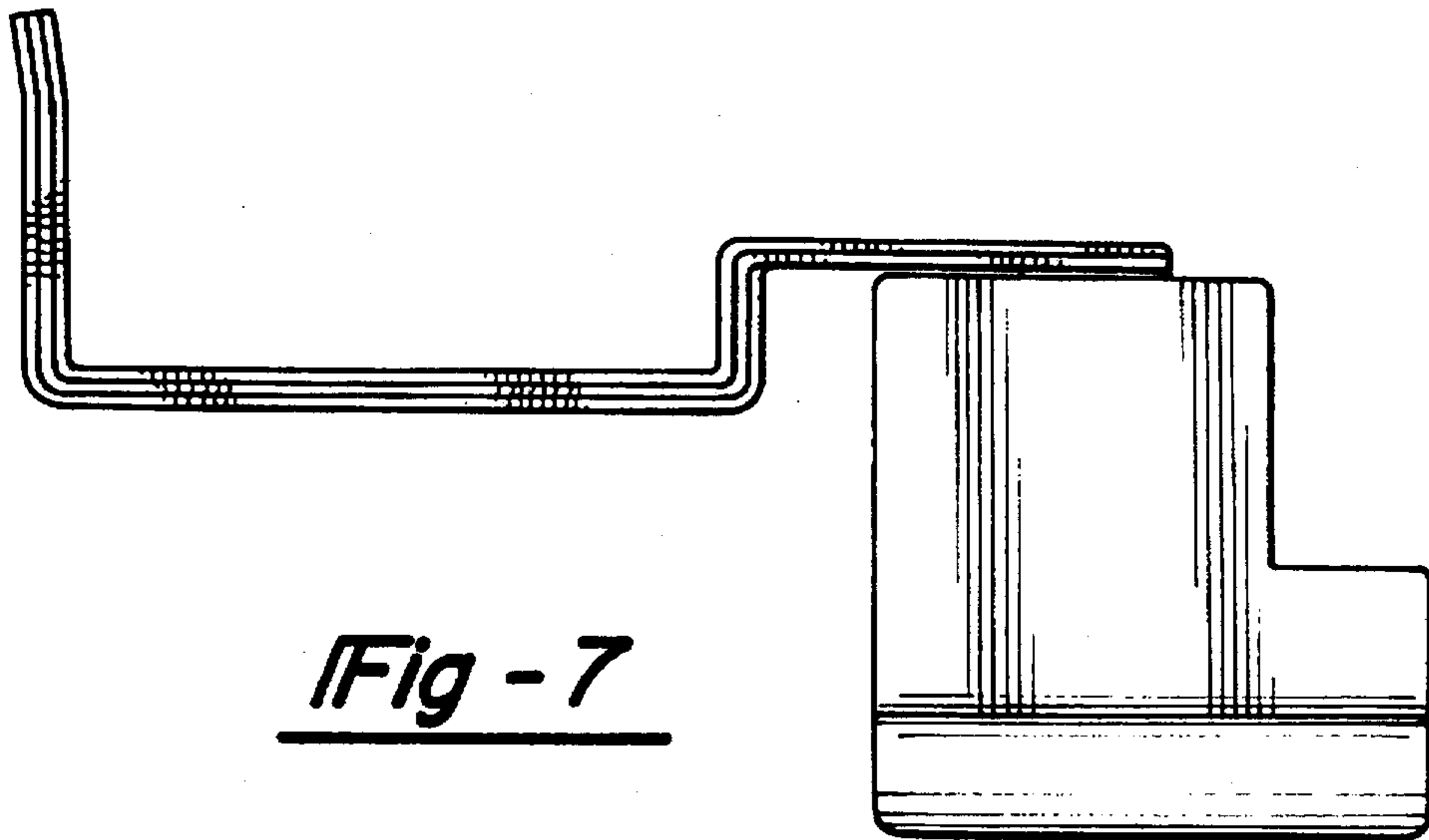


Fig - 7

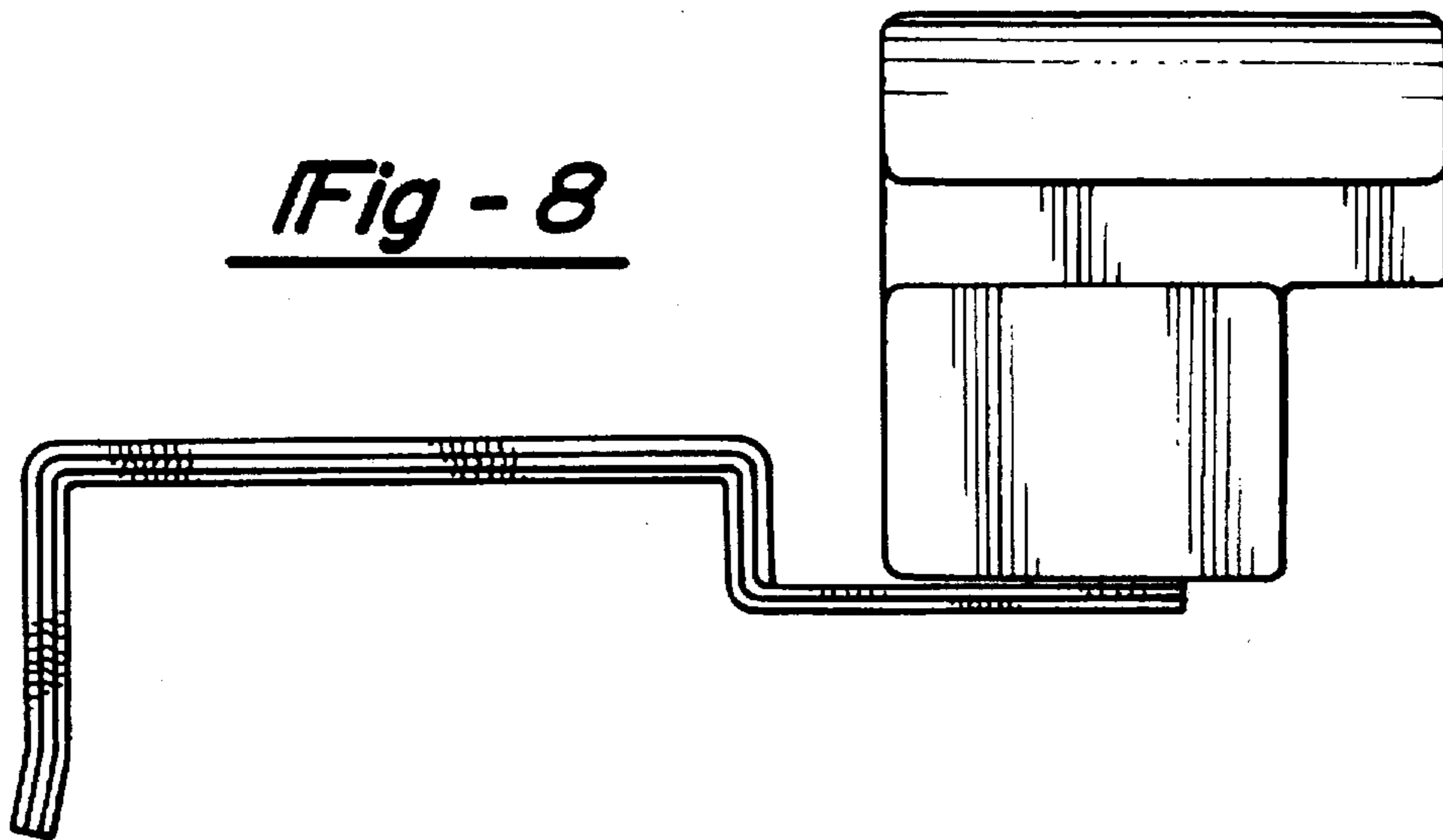


Fig - 8