



US00D393626S

United States Patent [19] Siat

[11] Patent Number: Des. 393,626
[45] Date of Patent: **Apr. 21, 1998

[54] HANDLE AND FUSE SWITCH
[75] Inventor: Benoit Siat, Benfeld, France

4,409,572 10/1983 Mostosi 335/8
4,713,498 12/1987 Ludwig et al. 200/5 R
5,243,157 9/1993 Hoffman 200/43.11

[73] Assignee: Socomec (Societe Anonyme), Benfeld, France

OTHER PUBLICATIONS

NED, Advertisement for Cutler-Hammer Products, Handle Operator, p. 72, Jan. 1990.

[**] Term: 14 Years

Primary Examiner—James Gandy
Assistant Examiner—Cathron B. Matta
Attorney, Agent, or Firm—Alfred M. Walker

[21] Appl. No.: 49,491

[22] Filed: Jan. 26, 1996

[57] CLAIM

[30] Foreign Application Priority Data

Jul. 28, 1995 [FR] France 954245

The ornamental design for a handle and fuse switch, as shown and described.

[51] LOC (6) Cl. 13-03

DESCRIPTION

[52] U.S. Cl. D13/158; D13/160

[58] Field of Search D13/158-178,
D13/184, 199; D9/300, 307, 308; 200/5 R,
43.11, 43.14, 43.19, 50.18, 293, 329, 330,
332, 334, 336; 335/8-10, 17, 202

FIG. 1 is a perspective view of a handle and fuse switch, showing my new design;

FIG. 2 is a top plan view thereof, shown at a reduced scale;

FIG. 3 is a left side elevational view thereof, shown at a reduced scale;

FIG. 4 is a front view thereof, shown at a reduced scale;

FIG. 5 is a right side elevational view thereof, shown at a reduced scale;

FIG. 6 is a rear view thereof, shown at a reduced scale; and

FIG. 7 is a bottom view thereof, shown at a reduced scale.

[56] References Cited

U.S. PATENT DOCUMENTS

D. 320,385 10/1991 Owens et al. D13/160
D. 320,434 10/1991 Rawald D8/308 X
D. 354,738 1/1995 Zimmermann et al. D13/158 X
3,081,390 3/1963 Lasar 200/43.11 X
3,171,908 3/1965 Malota 200/43.11 X

1 Claim, 3 Drawing Sheets

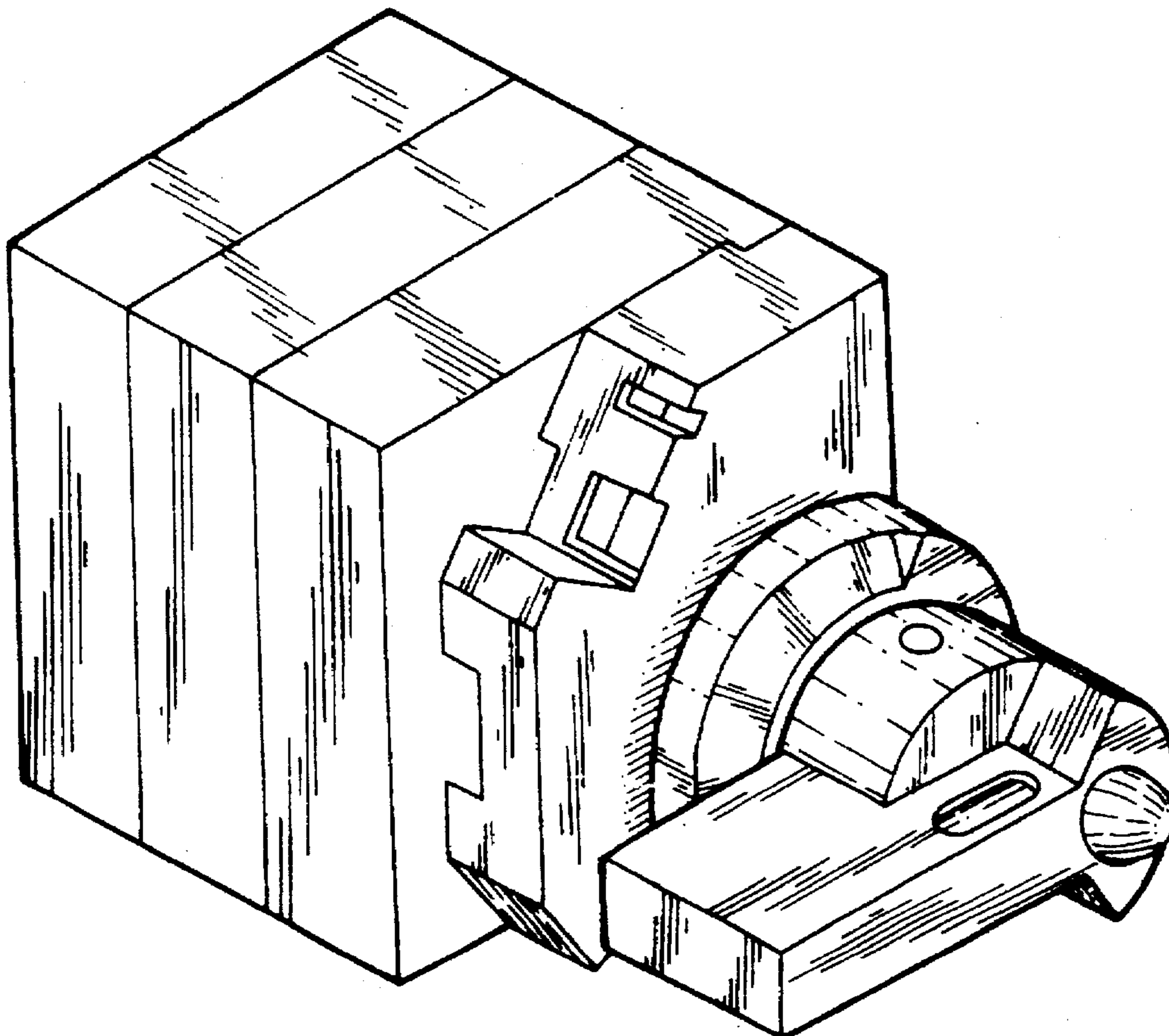


FIG. 1

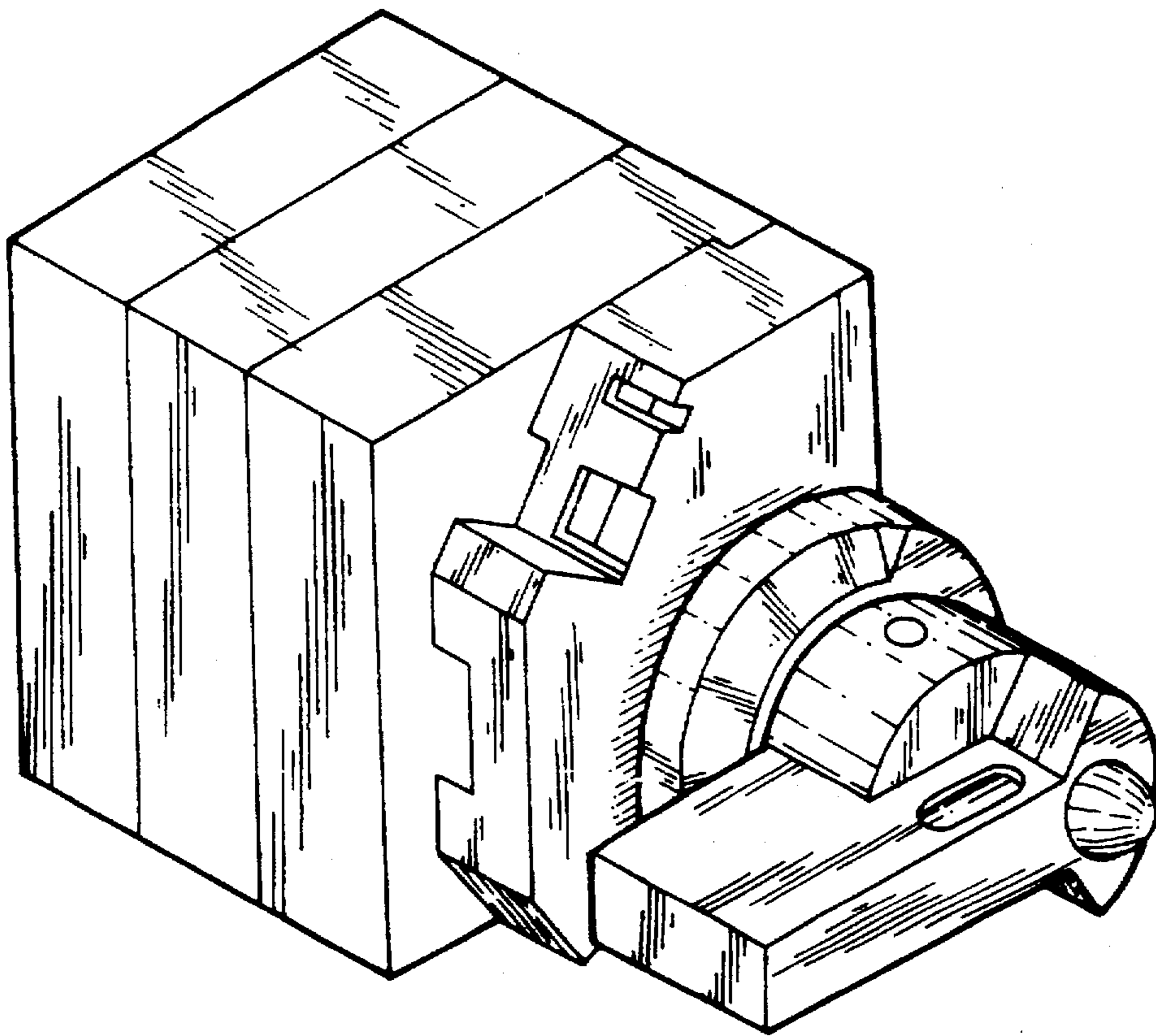


FIG. 2

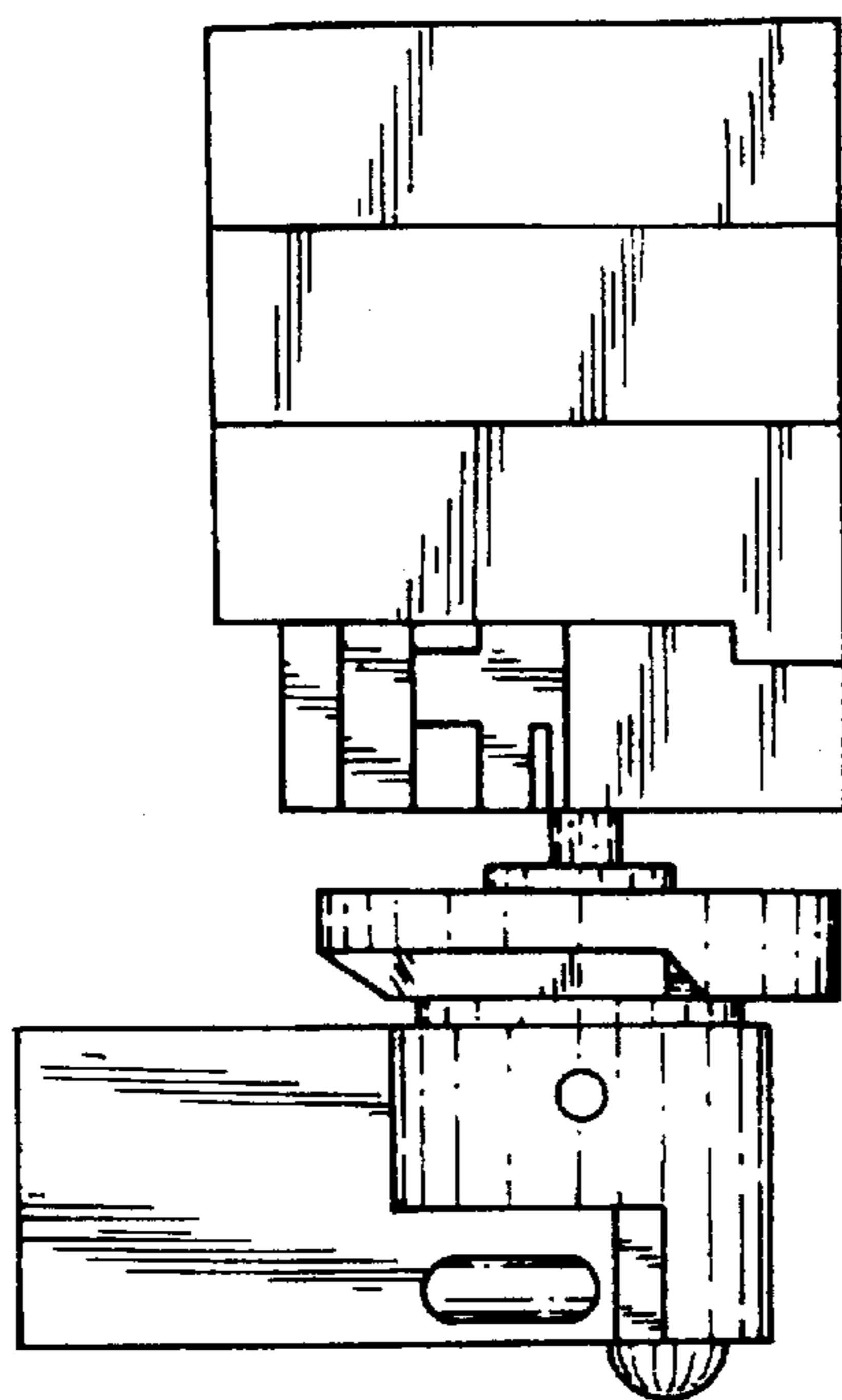


FIG. 3

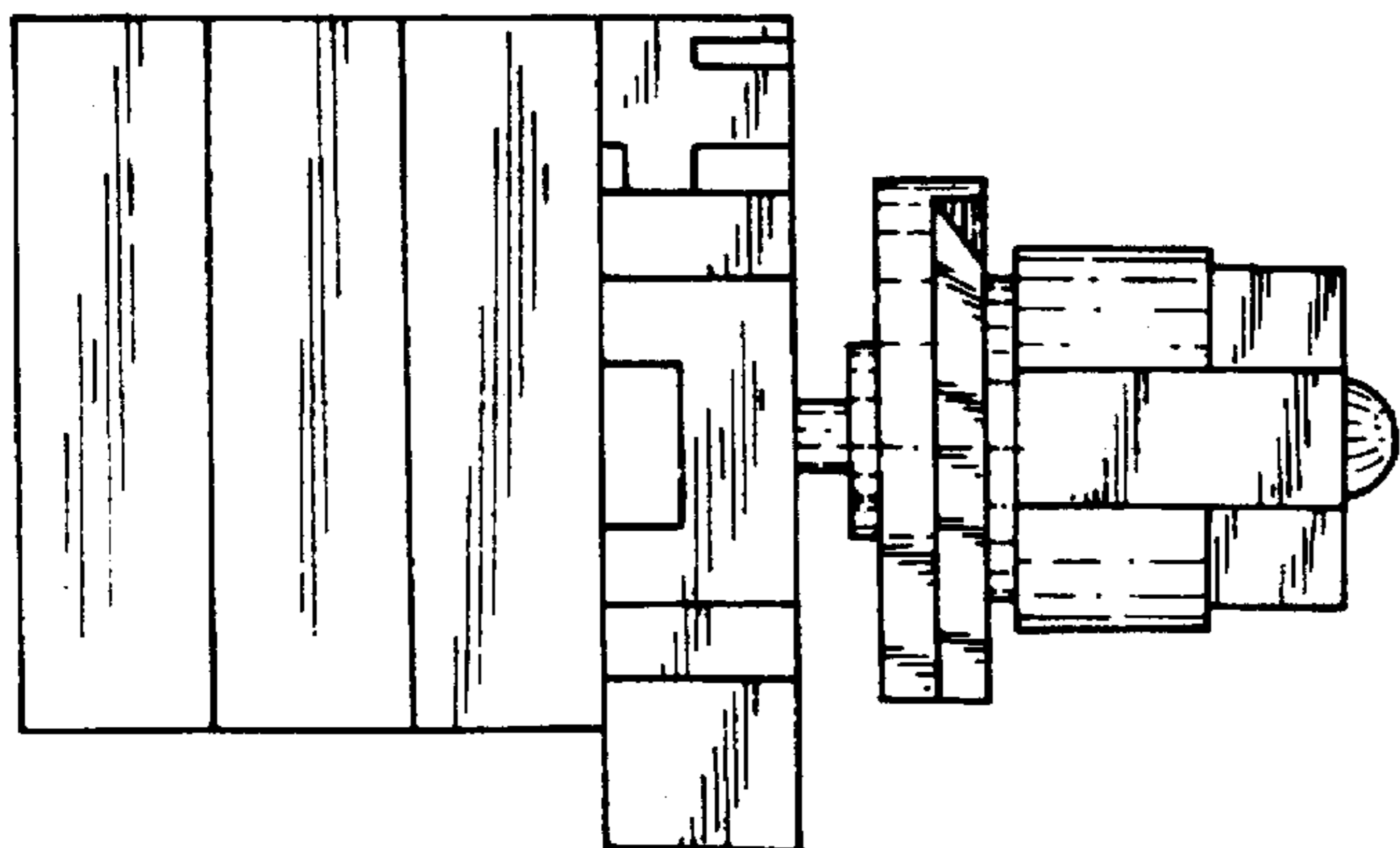


FIG. 4

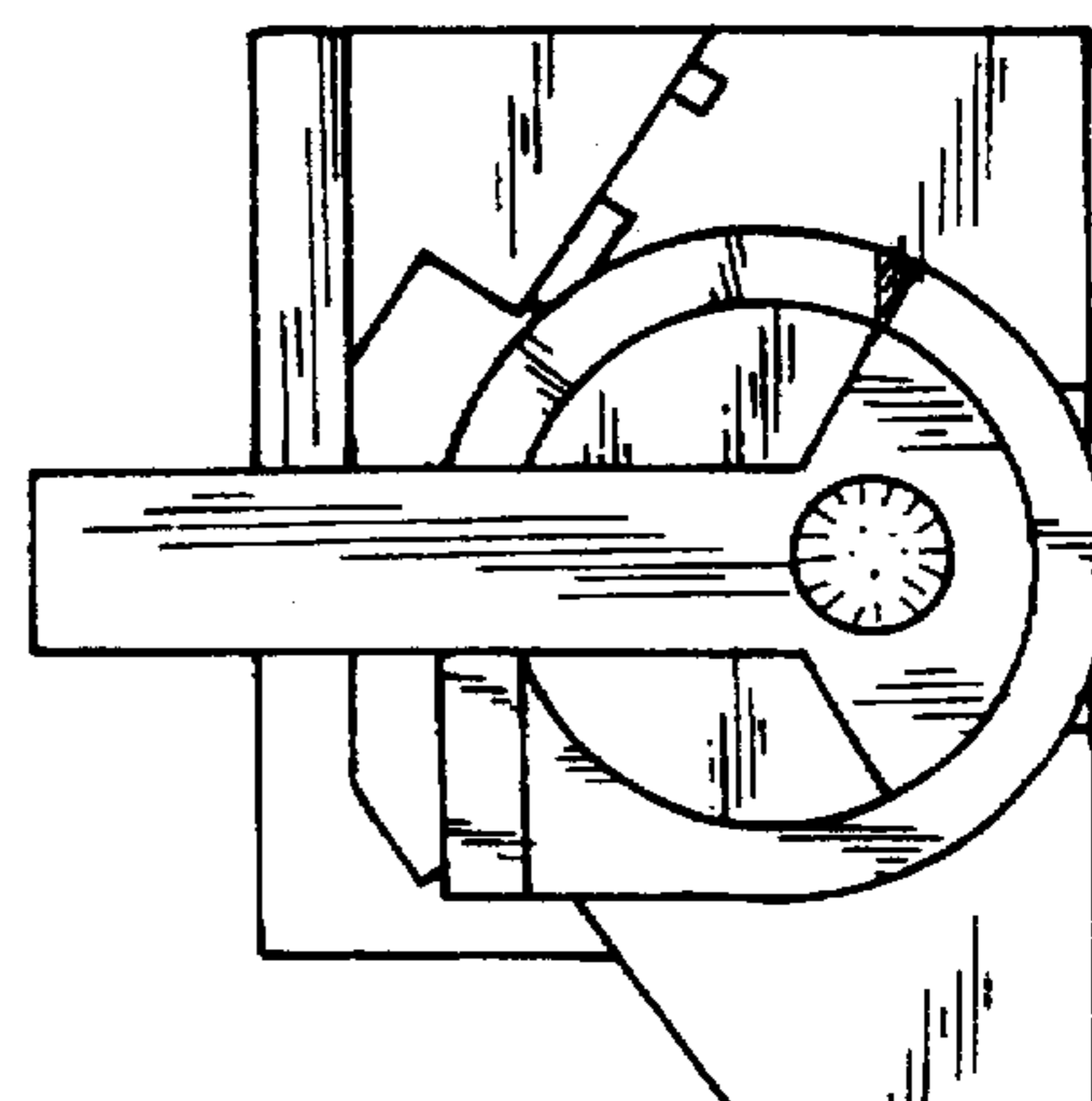


FIG. 5

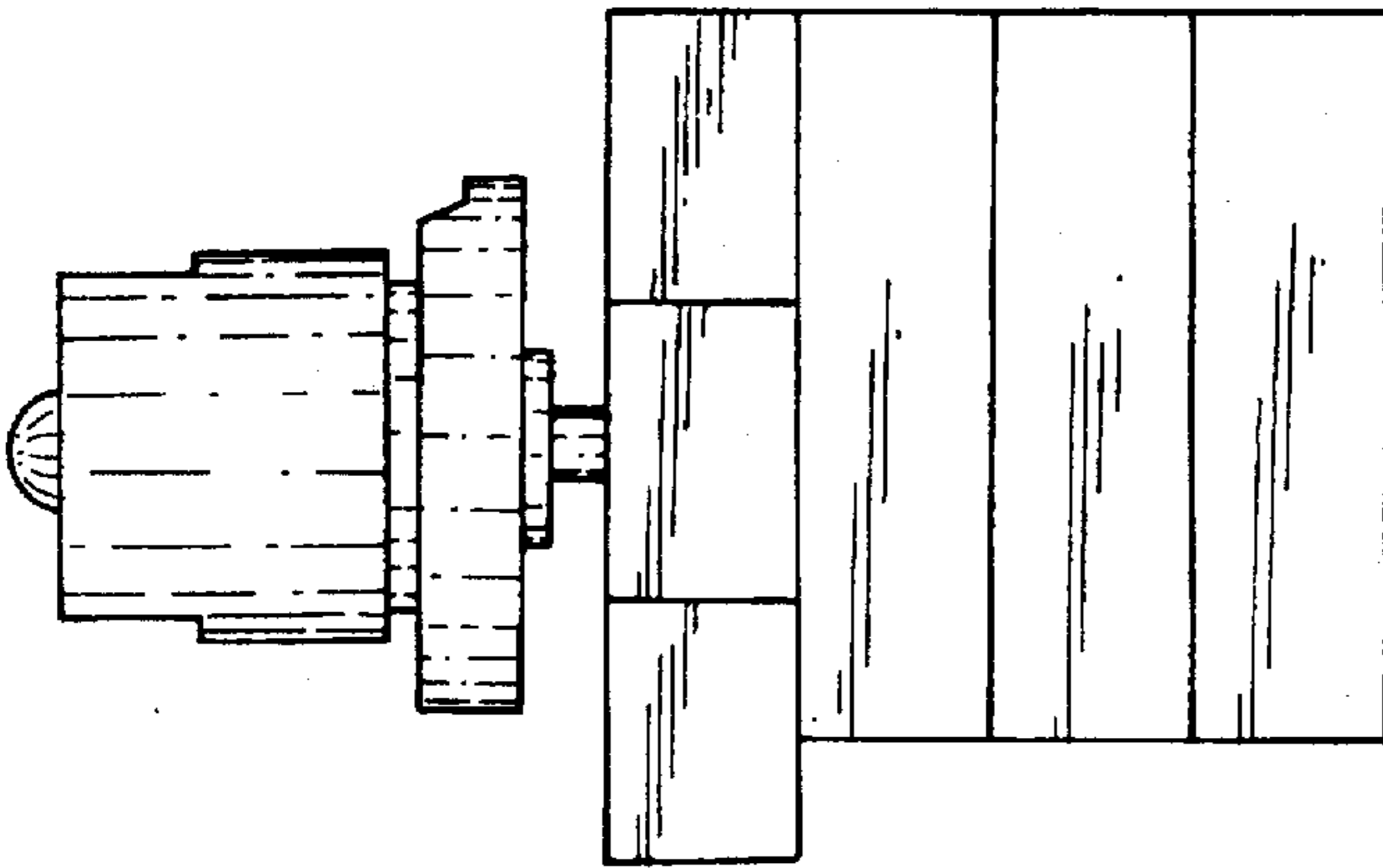


FIG. 6

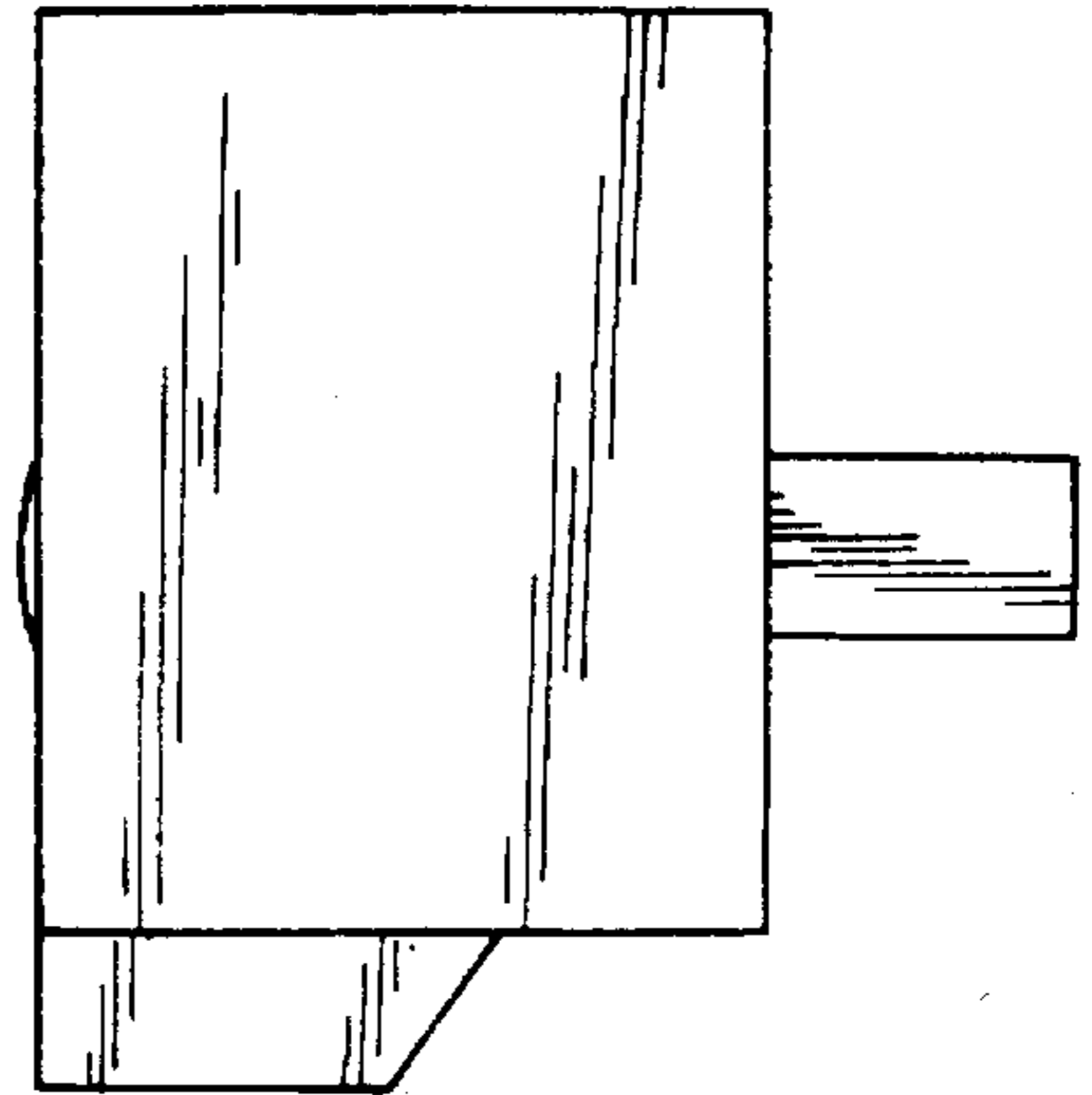


FIG. 7

