



US00D393620S

United States Patent [19]

[11] Patent Number: Des. 393,620

Remillard

[45] Date of Patent: **Apr. 21, 1998

[54] BICYCLE PORTER

Attorney, Agent, or Firm—Townsend and Townsend and Crew

[76] Inventor: Greg Remillard, 27777 Quinton Ave.,
Abbotsford B.C., Canada, V4X 1J7

[57] CLAIM

[**] Term: 14 Years

The ornamental design for a bicycle porter, as shown and described.

[21] Appl. No.: 54,890

DESCRIPTION

[22] Filed: May 24, 1996

FIG. 1 is a perspective view of a bicycle porter showing my new design;

[51] LOC (6) Cl. 12-16

FIG. 2 is a top plan view thereof;

[52] U.S. Cl. D12/402

FIG. 3 is a right side elevational view thereof;

[58] Field of Search D12/402; D3/254;

FIG. 4 is a bottom plan view thereof;

150/167; 206/335; 296/136, 78.1

FIG. 5 is a left side elevational view thereof;

FIG. 6 is a front elevational view thereof;

[56] References Cited

FIG. 7 is a rear elevational view thereof;

U.S. PATENT DOCUMENTS

FIG. 8 is a perspective view of a second embodiment of a bicycle porter; and,

D. 244,130 4/1977 Blackwell D12/402

FIG. 9 is a perspective view of a third embodiment of a bicycle porter.

D. 361,977 9/1995 Kahler D12/402

The bottom, rear and left side views of the second and third embodiment of the bicycle porter are substantially similar in appearance to the first embodiment of the bicycle porter.

D. 367,358 2/1996 Vincent D3/254

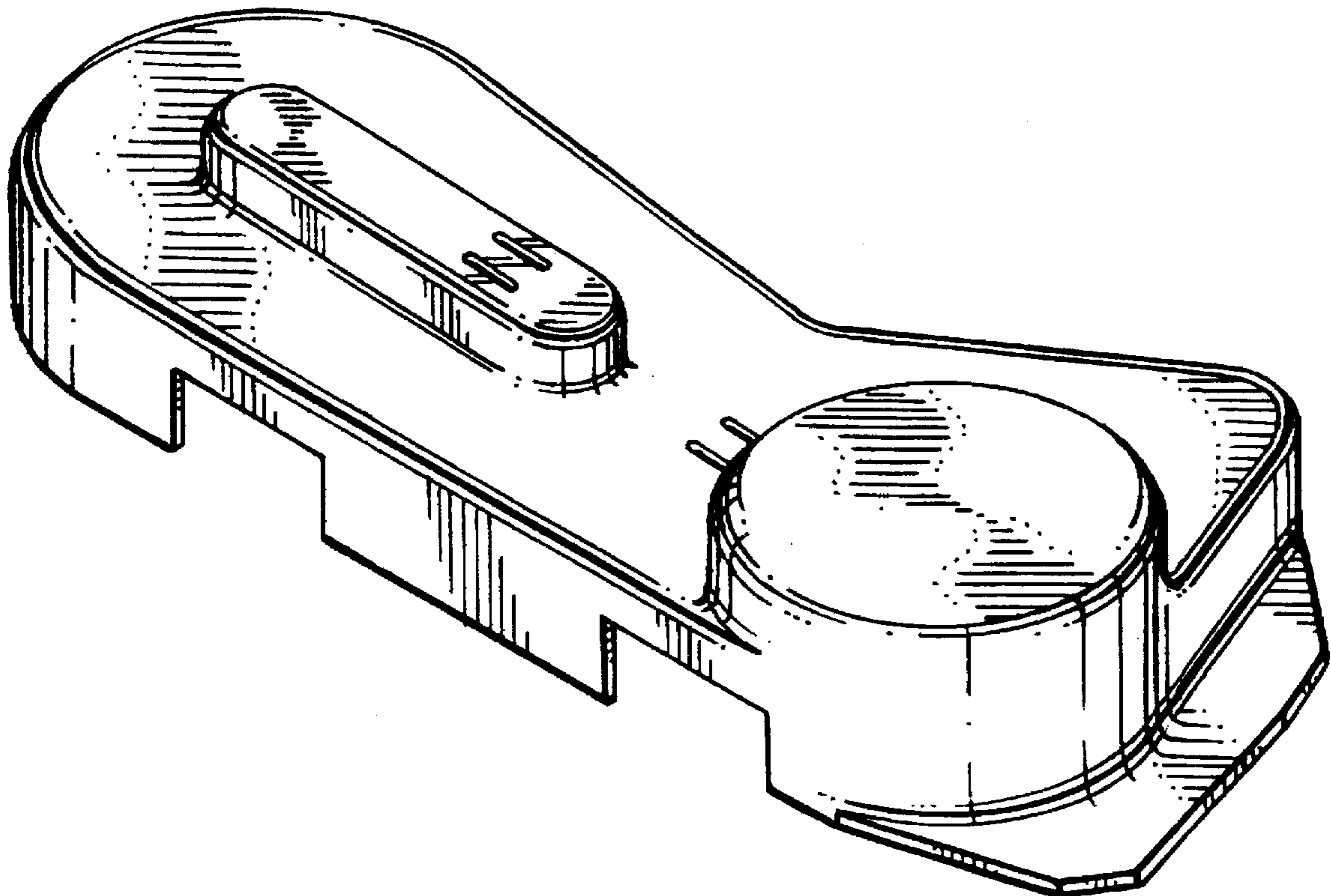
D. 370,457 6/1996 Dietz et al. D12/402

4,792,039 12/1988 Dayton 206/335 X

4,991,715 2/1991 Williams 206/335

Primary Examiner—Melody N. Brown

1 Claim, 3 Drawing Sheets



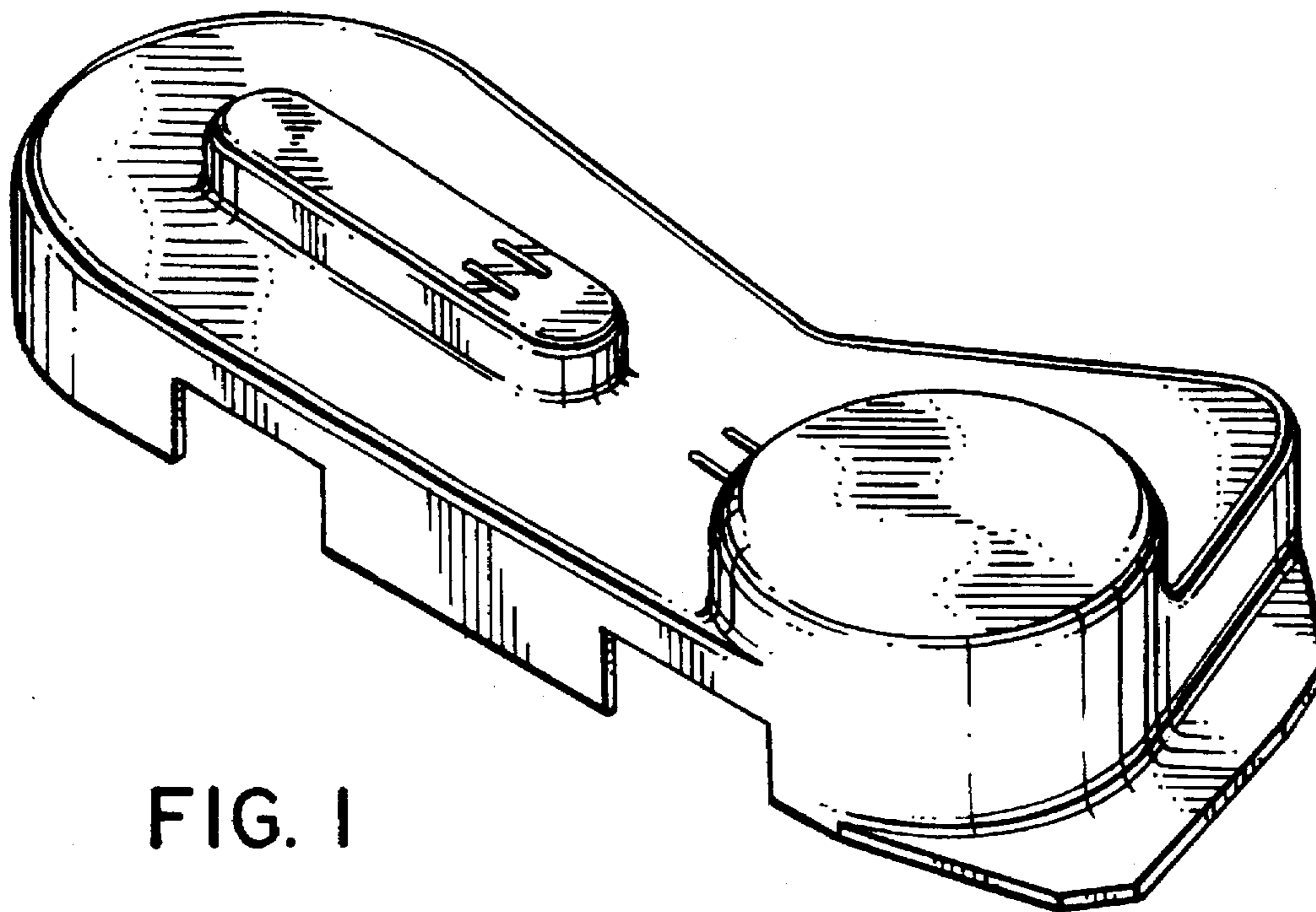


FIG. 1

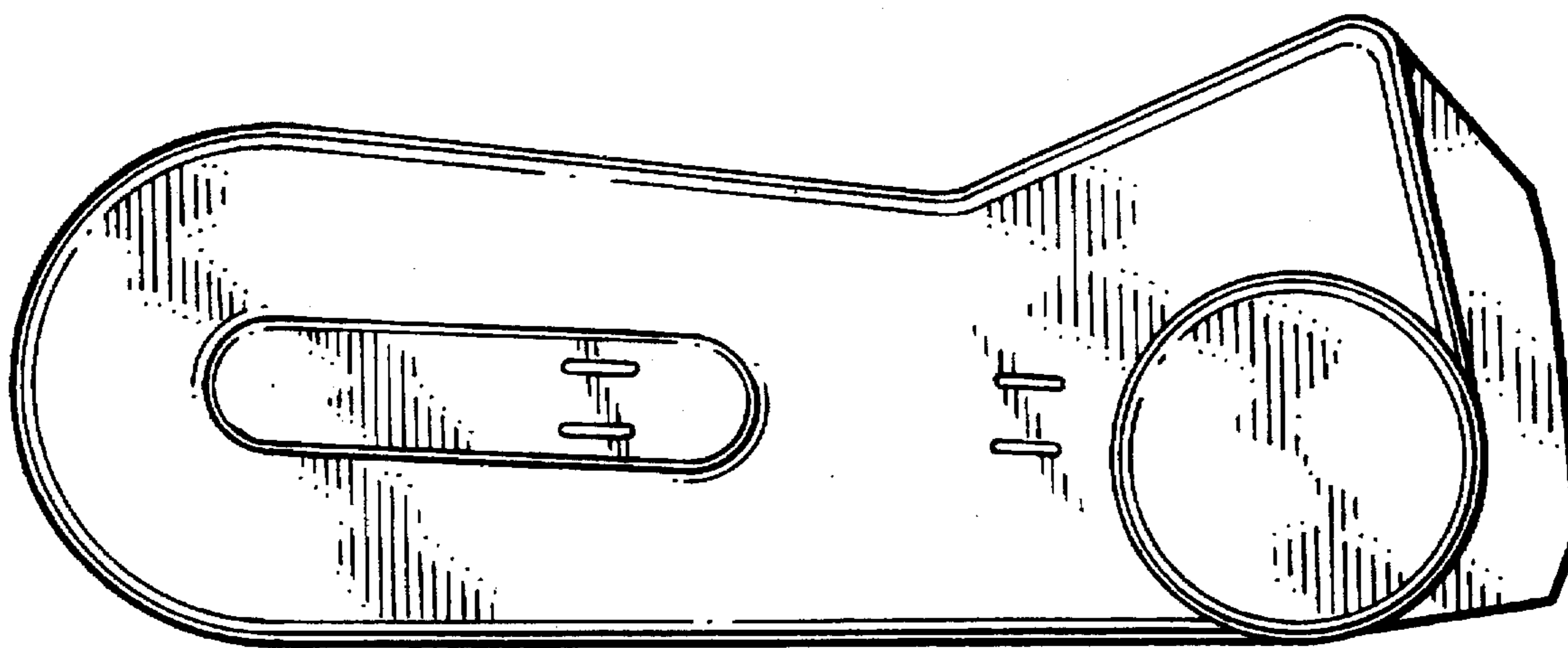


FIG. 2

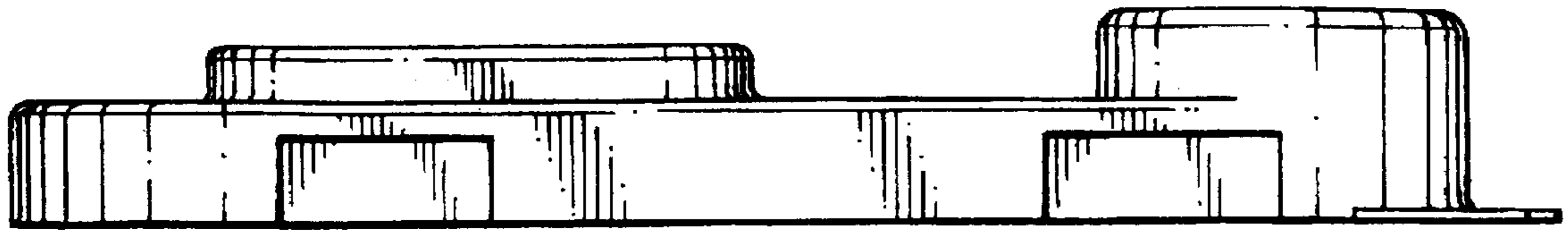


FIG. 3

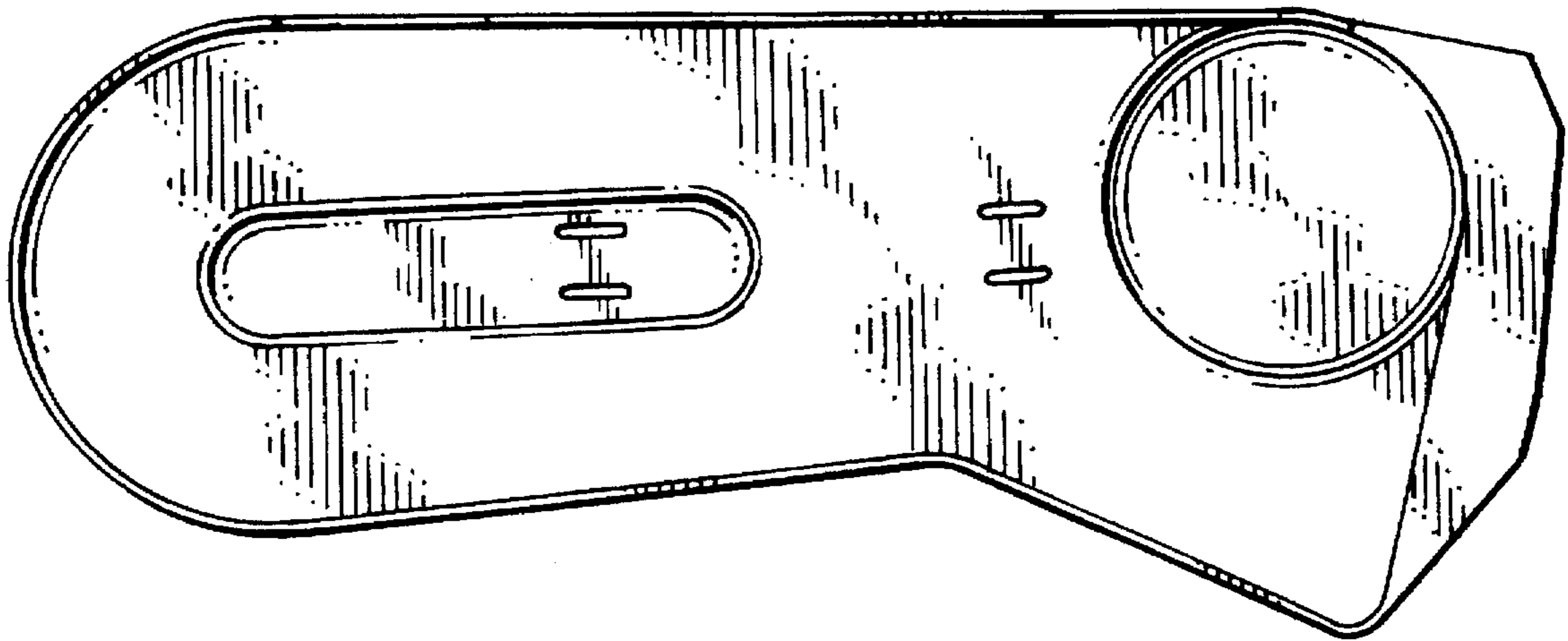


FIG. 4

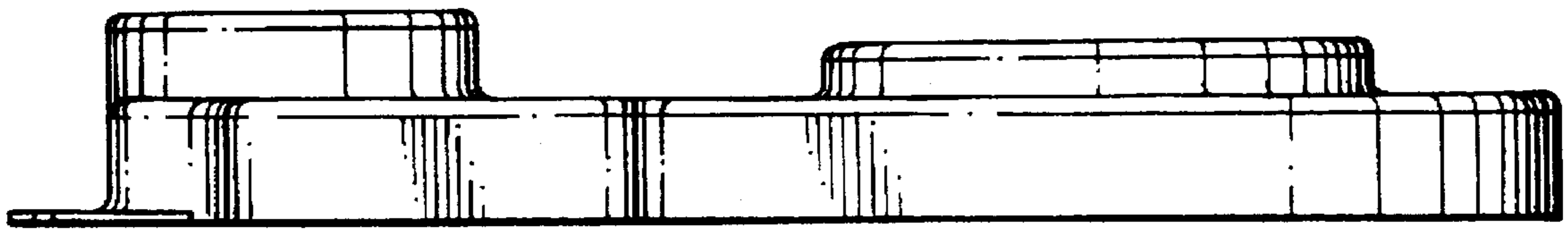


FIG. 5

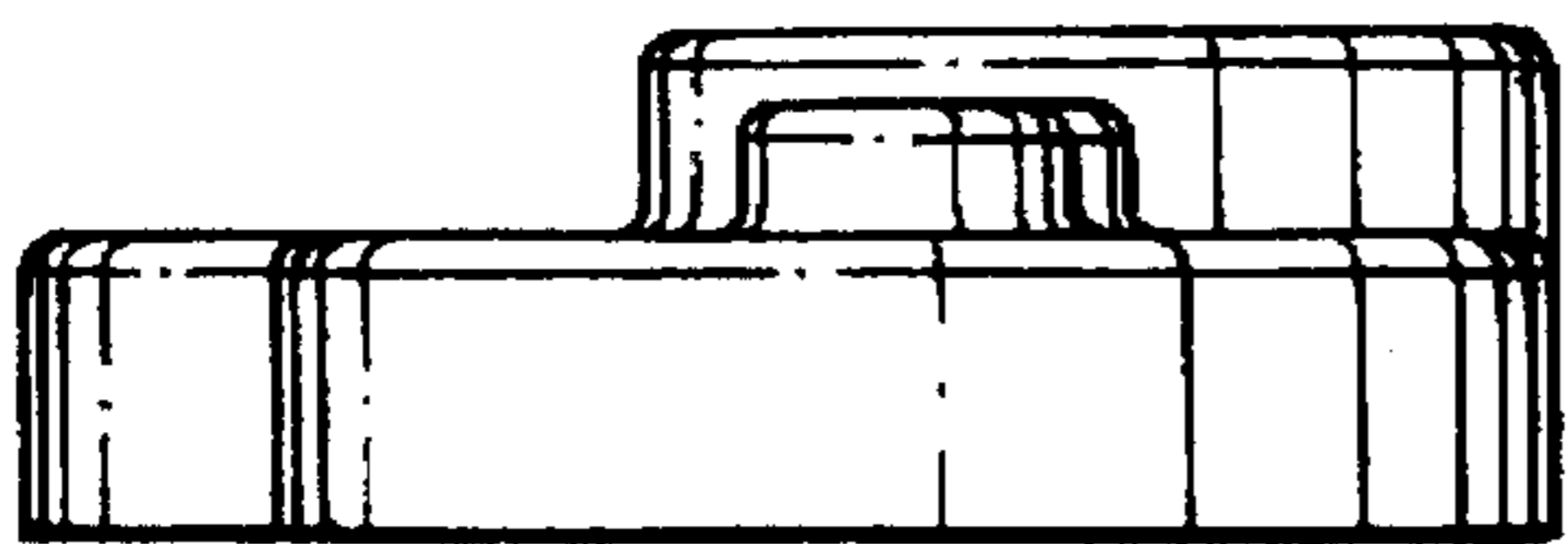


FIG. 6

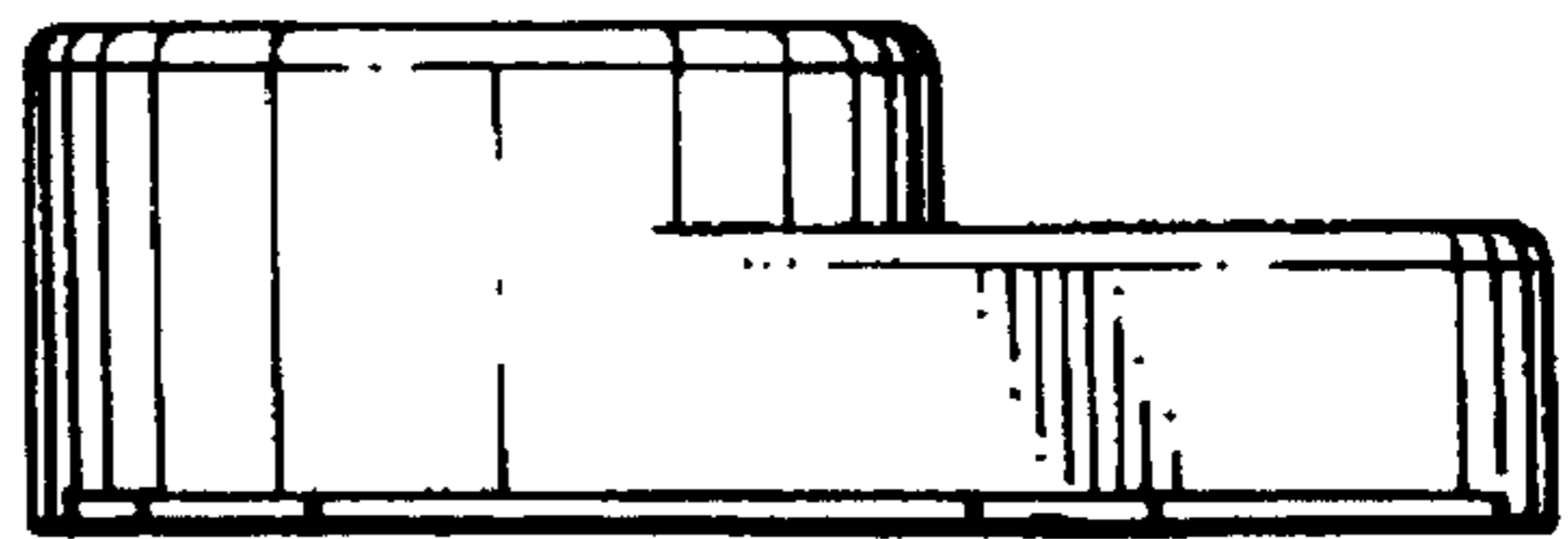


FIG. 7

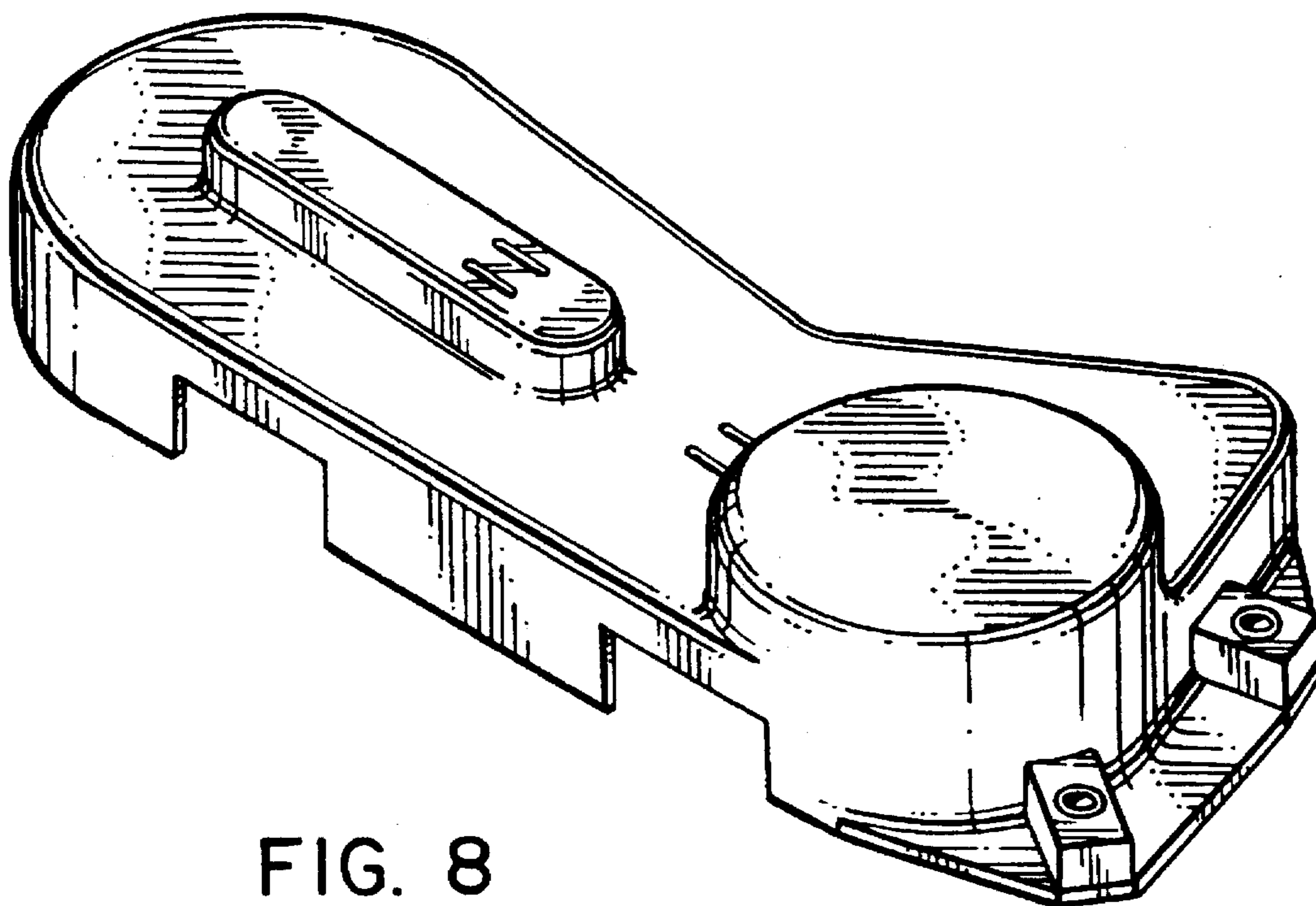


FIG. 8

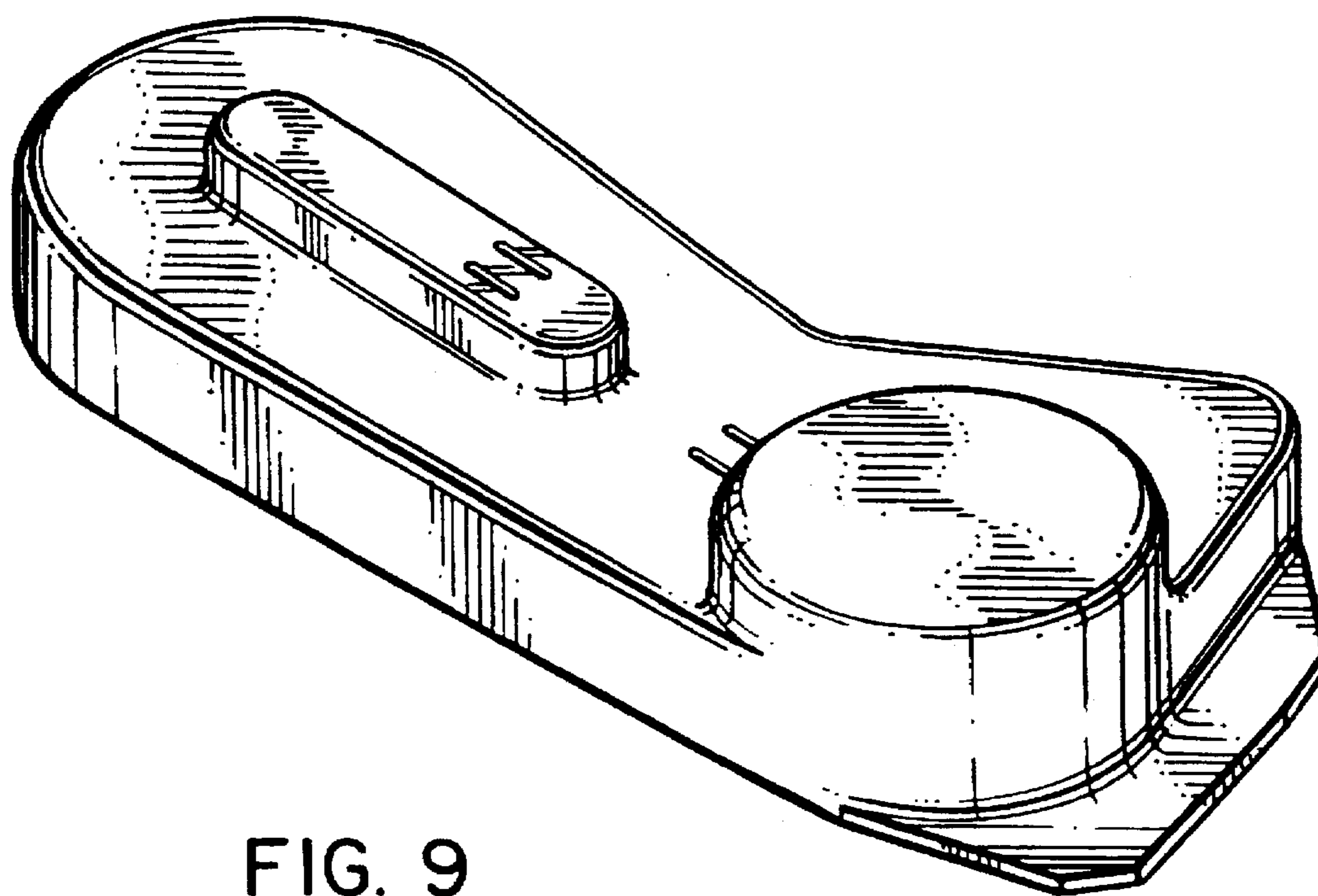


FIG. 9