



US00D393605S

United States Patent [19]
Dallaire

[11] **Patent Number: Des. 393,605**

[45] **Date of Patent: **Apr. 21, 1998**

[54] **PLANTER**

[75] **Inventor: Michel Dallaire, Montréal, Canada**

[73] **Assignees: Plastique DCN Inc., Warwick; Biotop Technologies Inc.; Michel Dallaire Design Industriel Inc., both of Montreal, all of Canada**

[**] **Term: 14 Years**

[21] **Appl. No.: 67,823**

[22] **Filed: Mar. 14, 1997**

[30] **Foreign Application Priority Data**

Dec. 12, 1996 [CA] Canada 1996-2881

[51] **LOC (6) Cl. 11-02**

[52] **U.S. Cl. D11/156**

[58] **Field of Search D11/143, 144, D11/145, 155, 156; 47/65.5, 65.7, 65.9, 66.1, 68, 79, 41.01; 206/423; 248/27.8**

[56] **References Cited**

U.S. PATENT DOCUMENTS

- D. 259,867 7/1981 Kenyon et al. D11/155
- D. 259,868 7/1981 Julinot D11/143 X
- D. 300,732 4/1989 Carlson D11/152
- D. 359,013 6/1995 Carlson D11/156

*Primary Examiner—Caron D. Veynar
Attorney, Agent, or Firm—Robic*

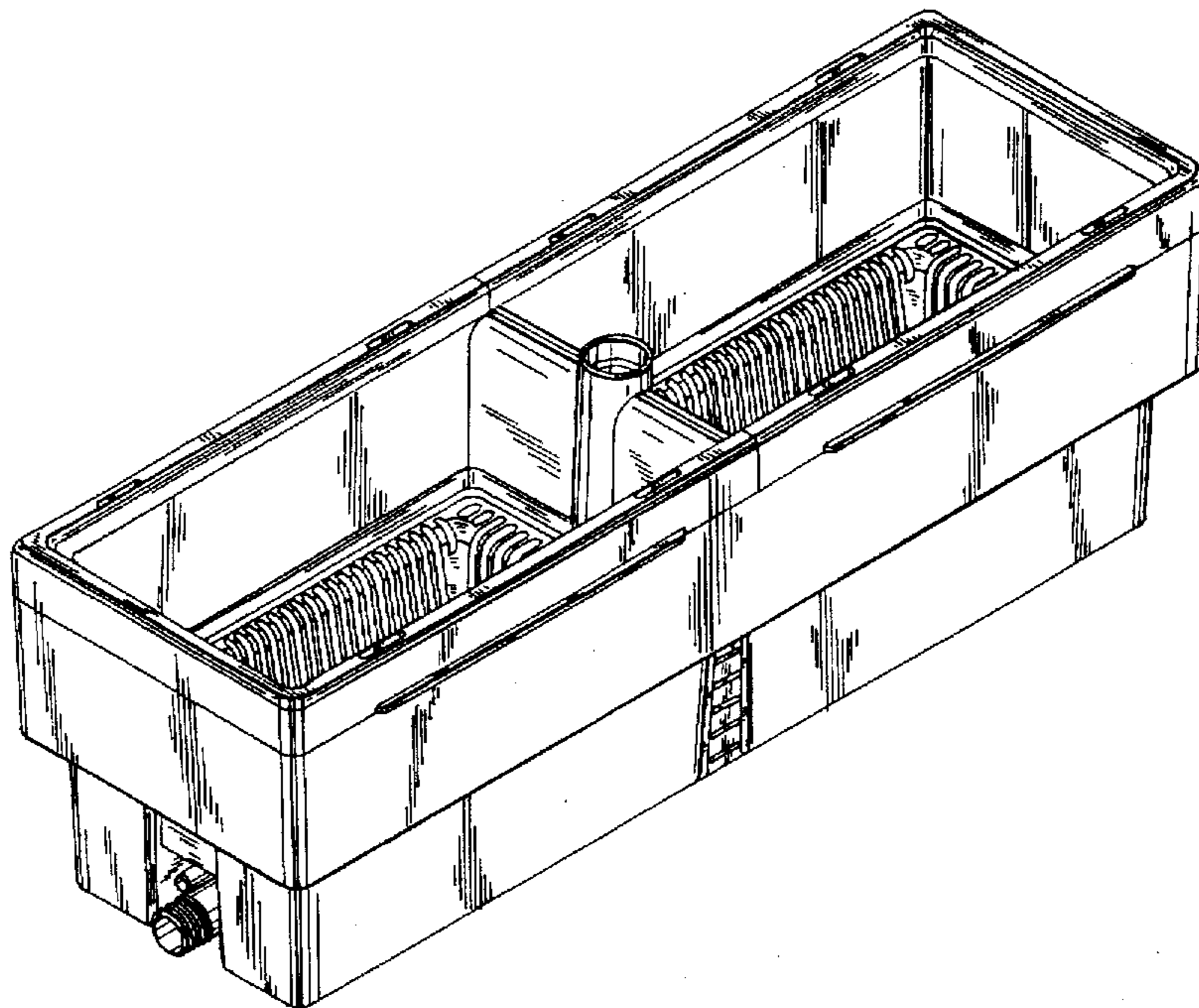
[57] **CLAIM**

The ornamental design for a planter, as shown and described.

DESCRIPTION

FIG. 1 is a perspective view of a planter showing my new design;
 FIG. 2 is an exploded side view thereof;
 FIG. 3 is a perspective view of an insert shown separately or ease of illustration;
 FIG. 4 is a side elevation view of an insert shown separately for ease of illustration;
 FIG. 5 is an opposite side view of an insert shown separately for ease of illustration;
 FIG. 6 is an end elevation view of an insert shown separately for ease of illustration;
 FIG. 7 is an opposite end elevation view of an insert shown separately for ease of illustration;
 FIG. 8 is a top plan view of an insert shown separately for ease of illustration;
 FIG. 9 is a bottom plan view of an insert shown separately for ease of illustration;
 FIG. 10 is a side elevation view of the planter shown without the inserts for ease of illustration;
 FIG. 11 is an end elevation view of the planter shown without the inserts for ease of illustration;
 FIG. 12 is an opposite end elevation view of the planter shown without the inserts for ease of illustration;
 FIG. 13 is a top plan view of the planer shown without the inserts for ease of illustration; and,
 FIG. 14 is a bottom plan view of the planter shown without the inserts for ease of illustration.

1 Claim, 10 Drawing Sheets



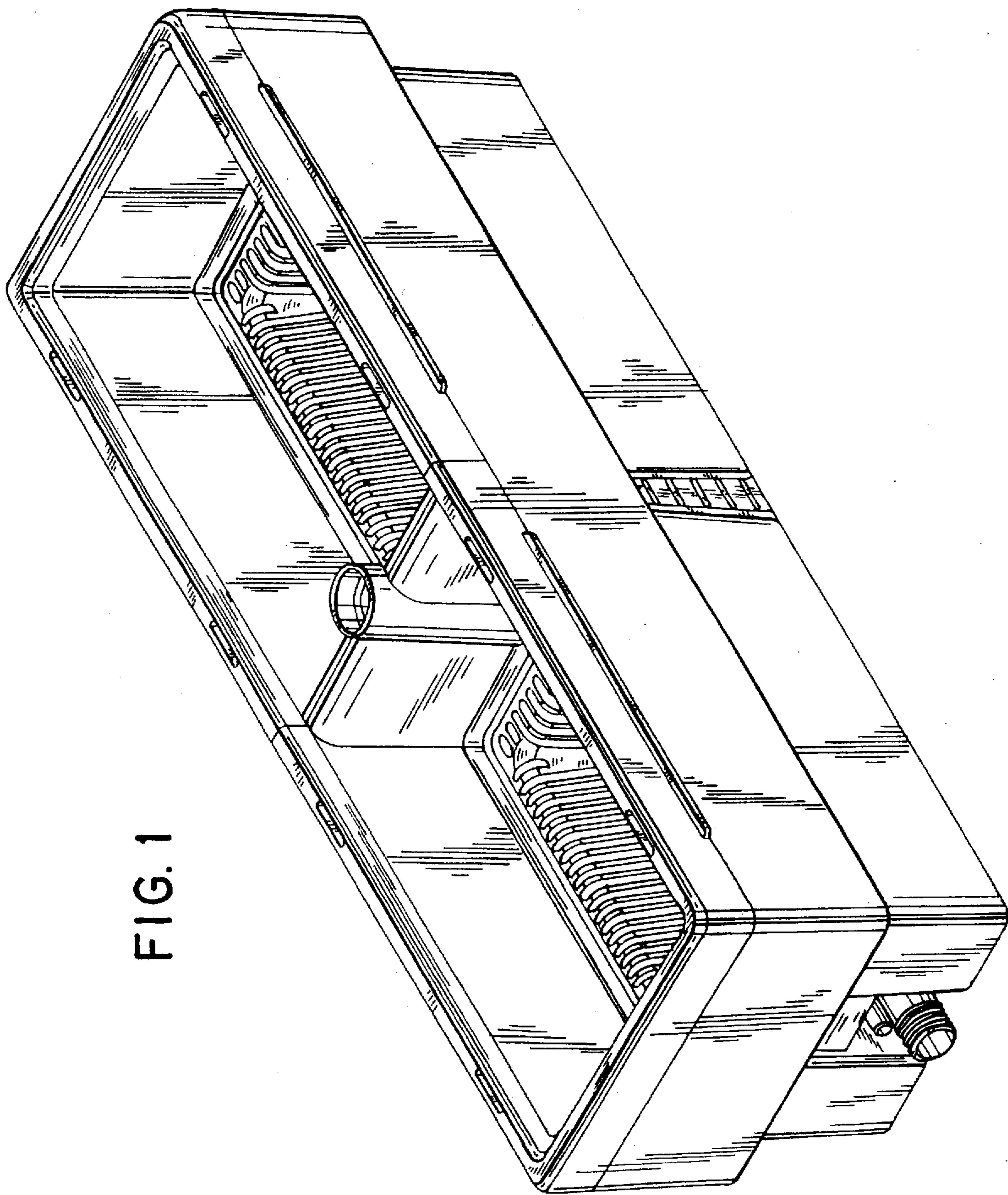
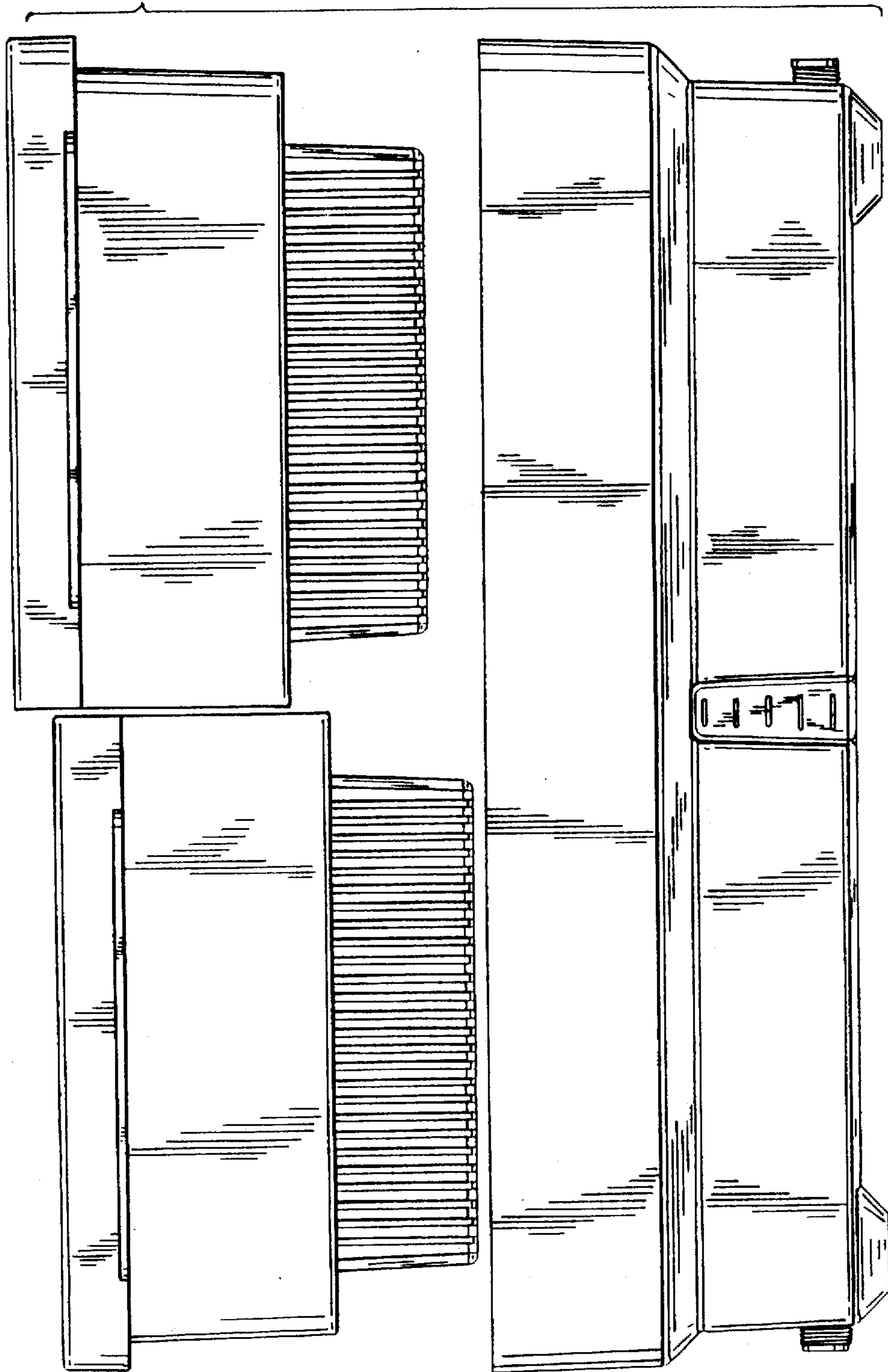


FIG. 1

FIG. 2



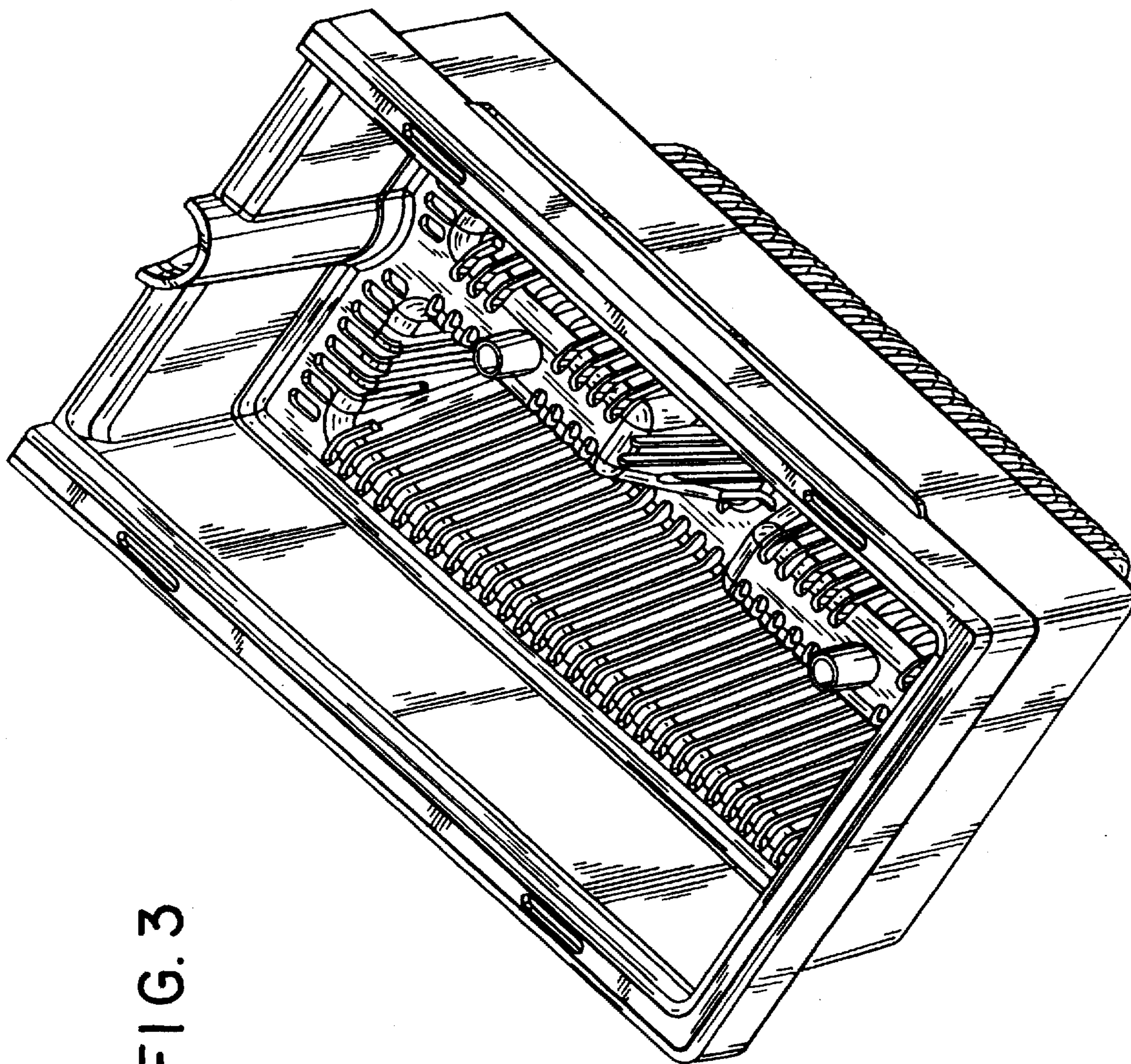


FIG. 3

FIG. 4

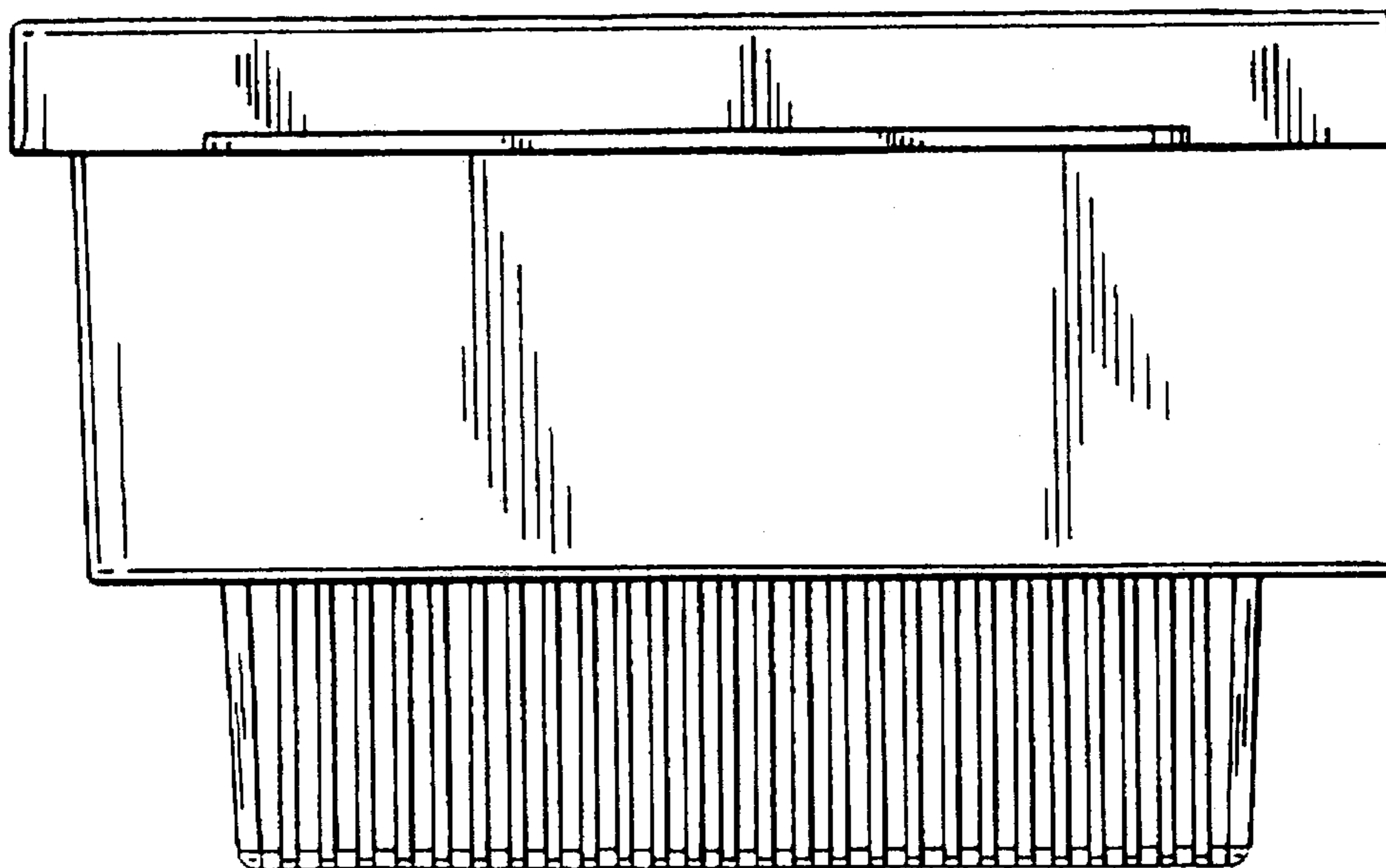


FIG. 5

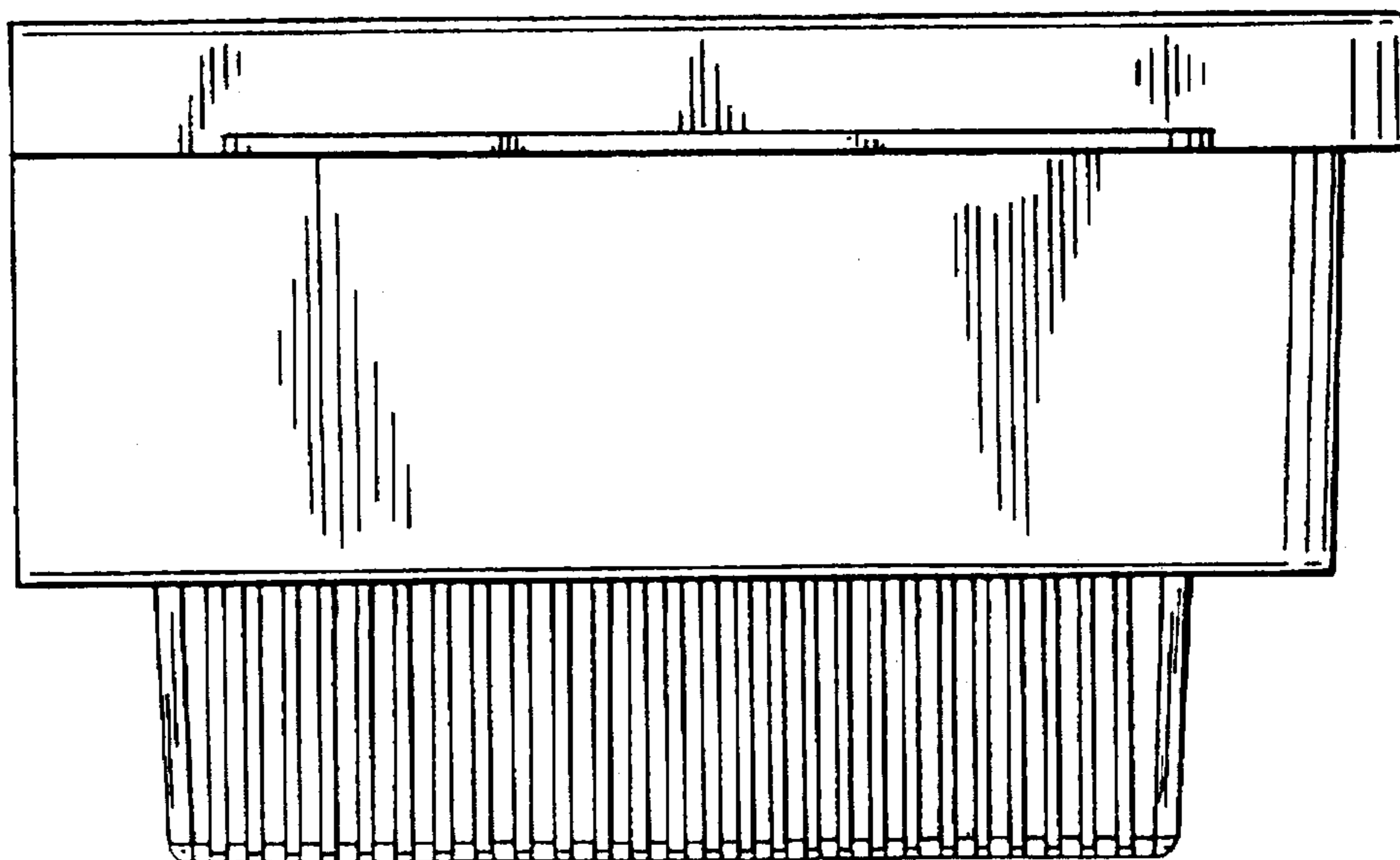


FIG. 6

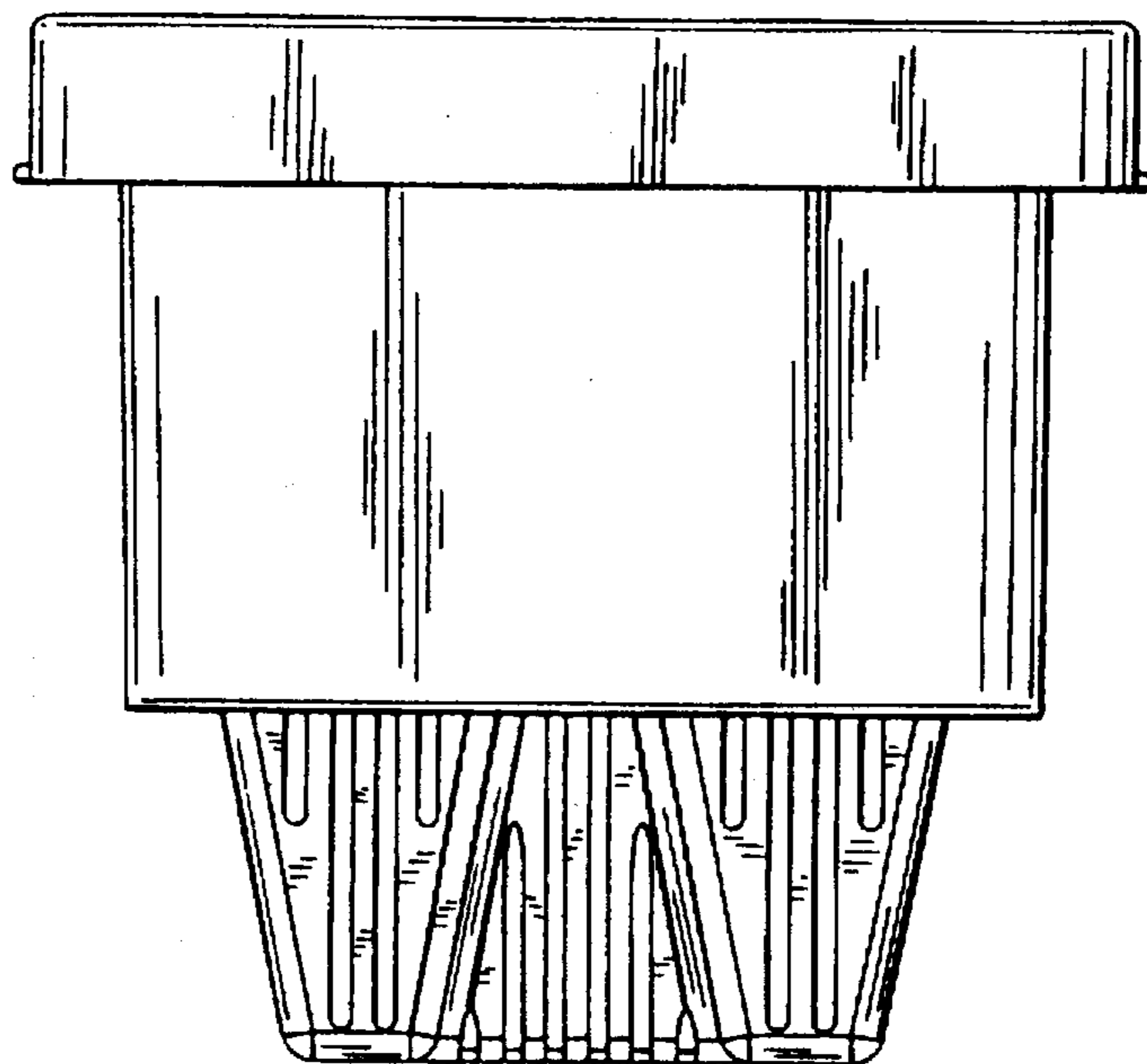


FIG. 7

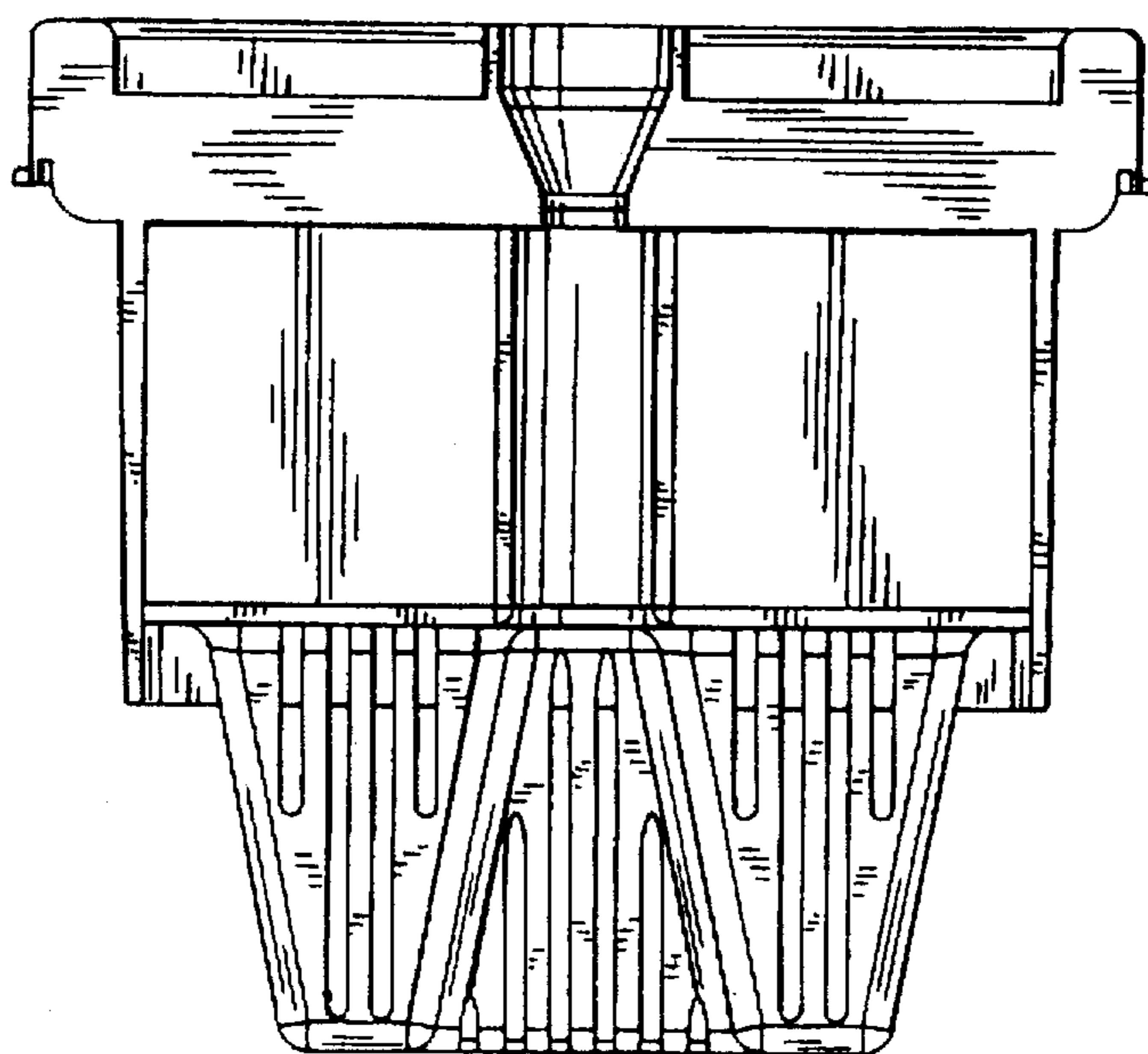


FIG. 8

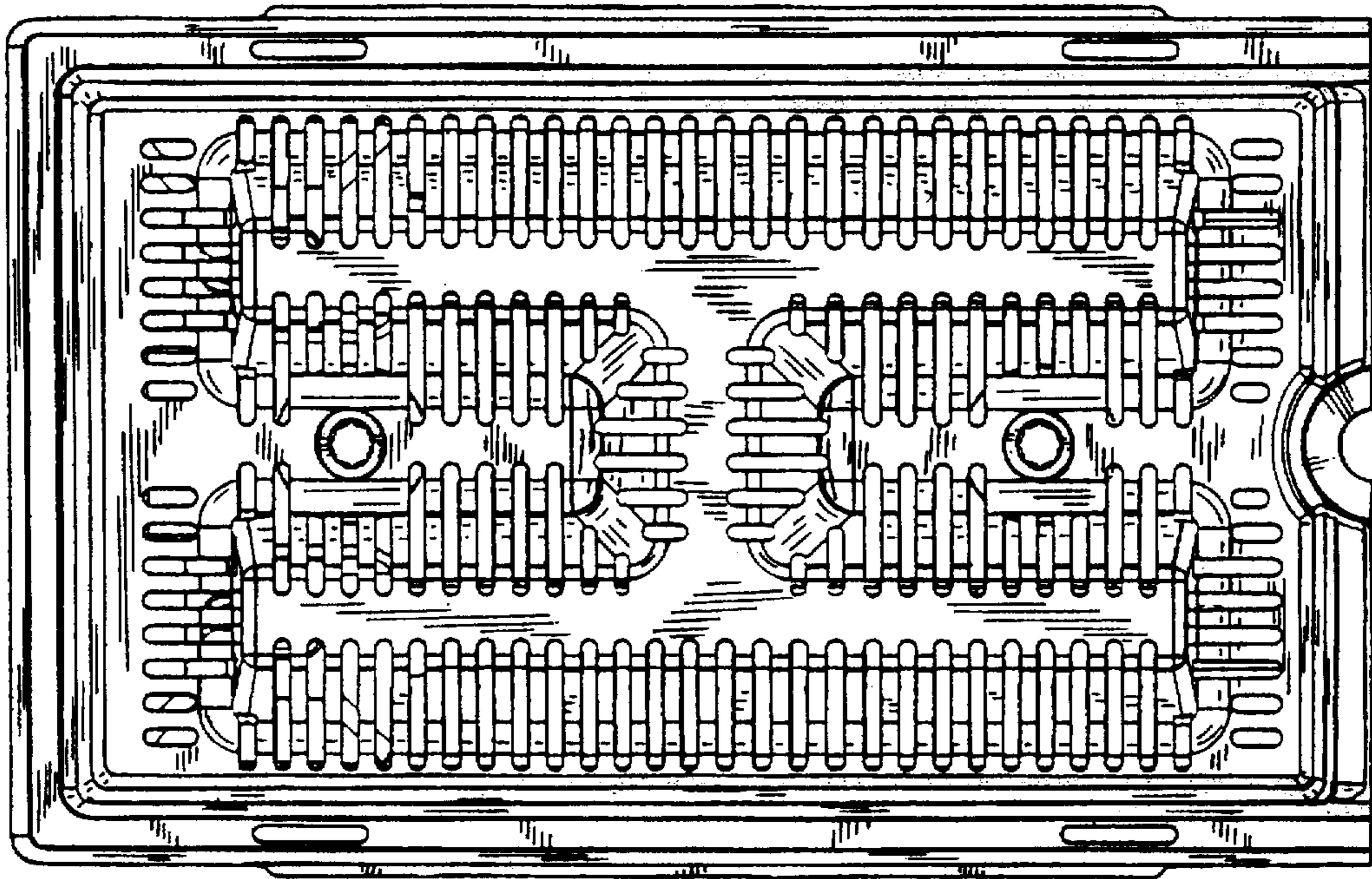


FIG. 9

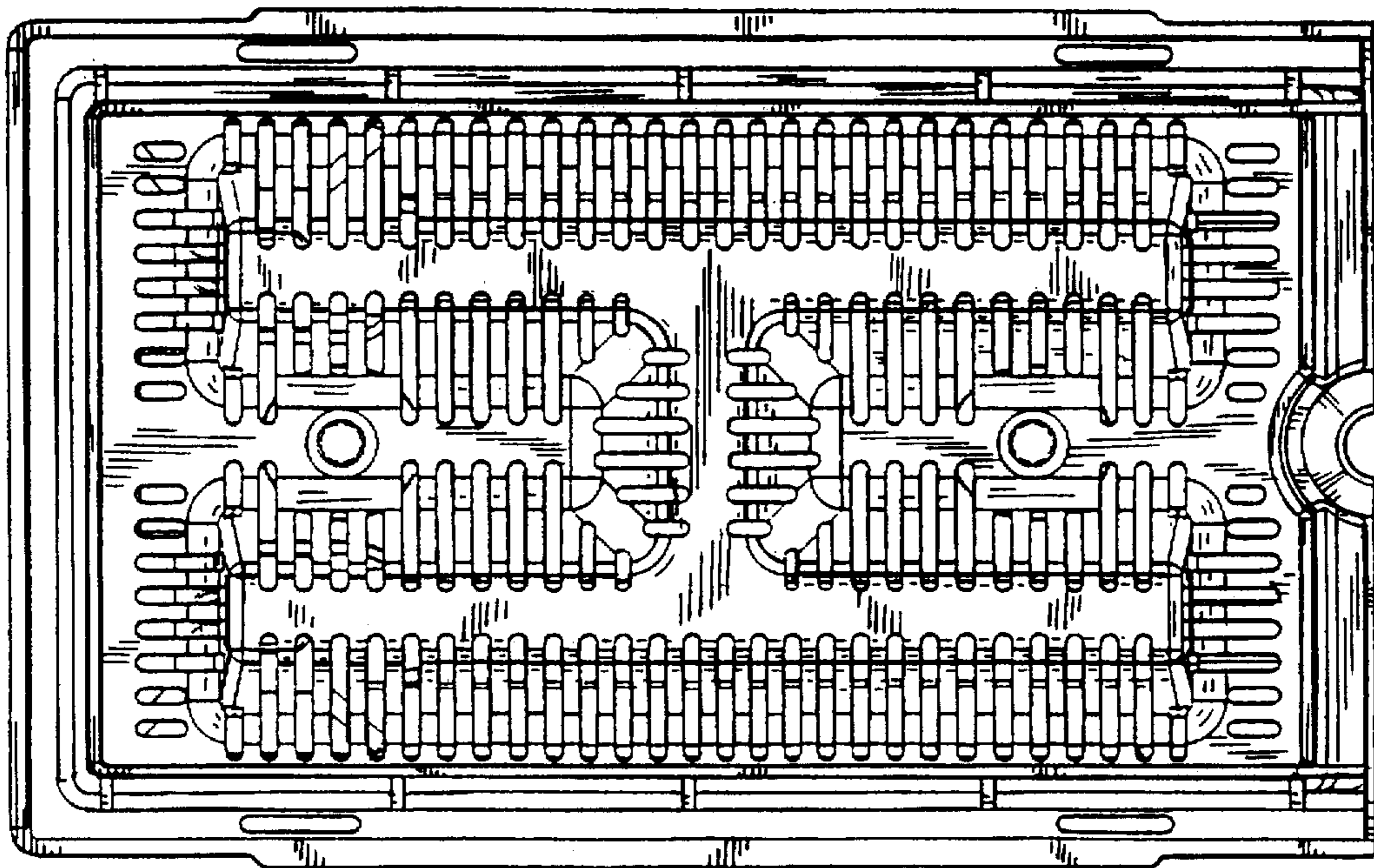


FIG. 10

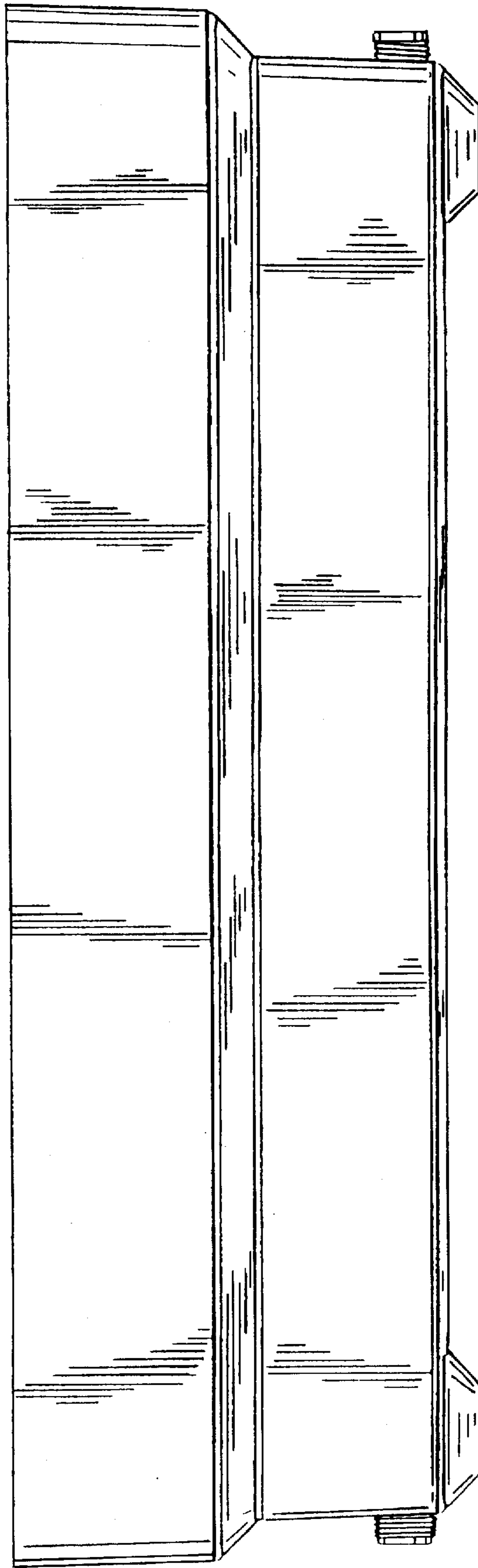


FIG. 11

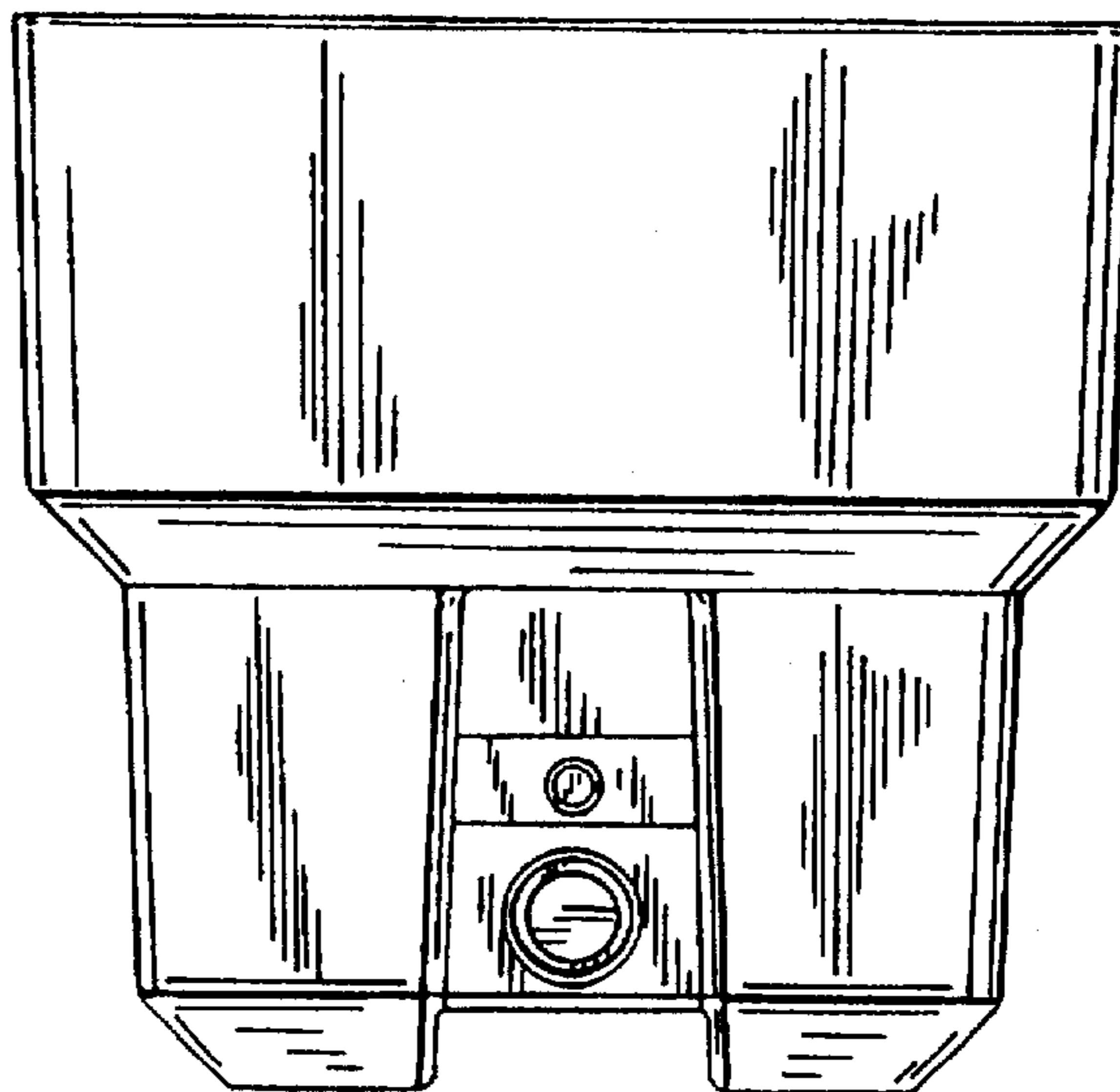


FIG. 12

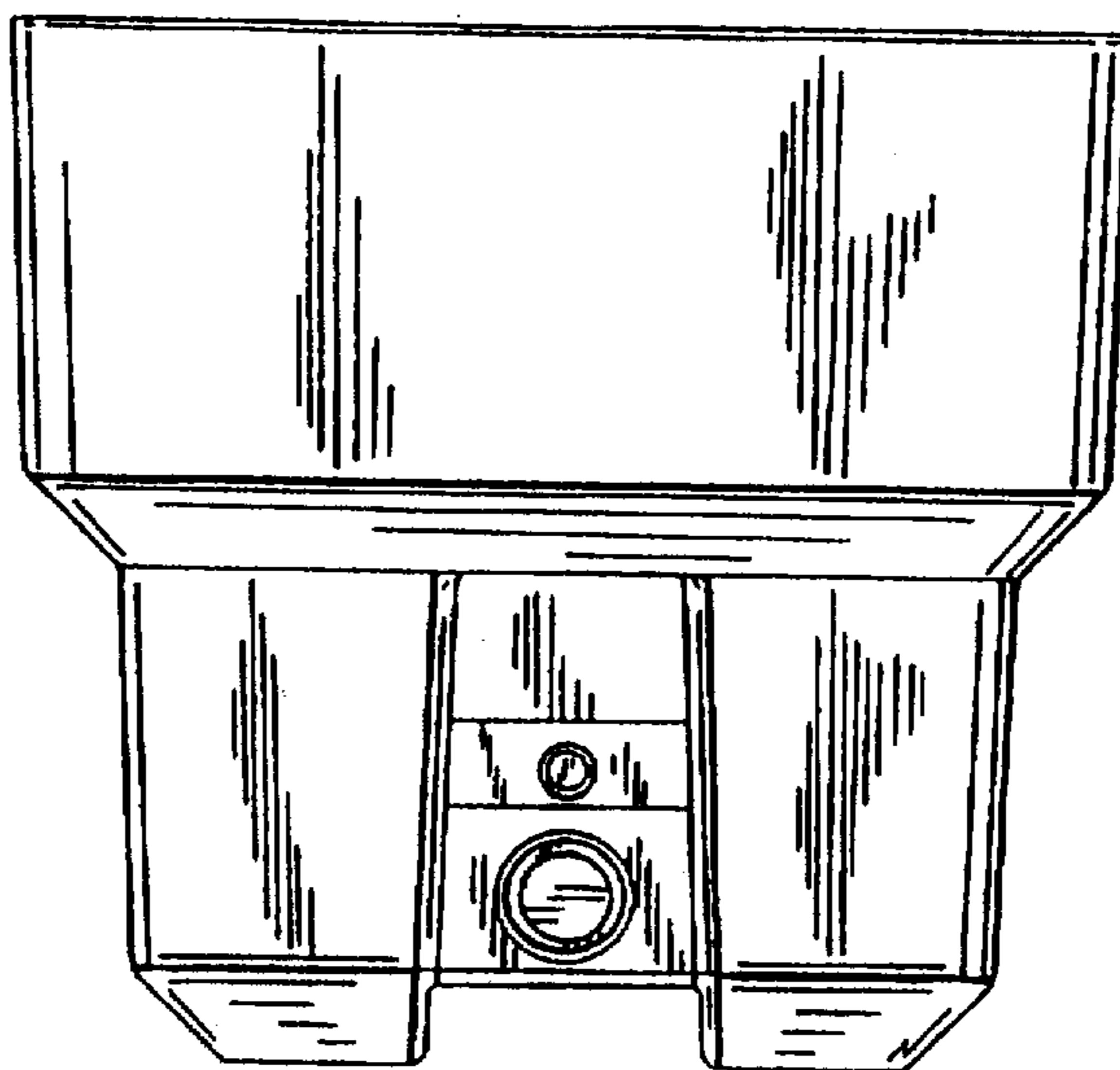


FIG. 13

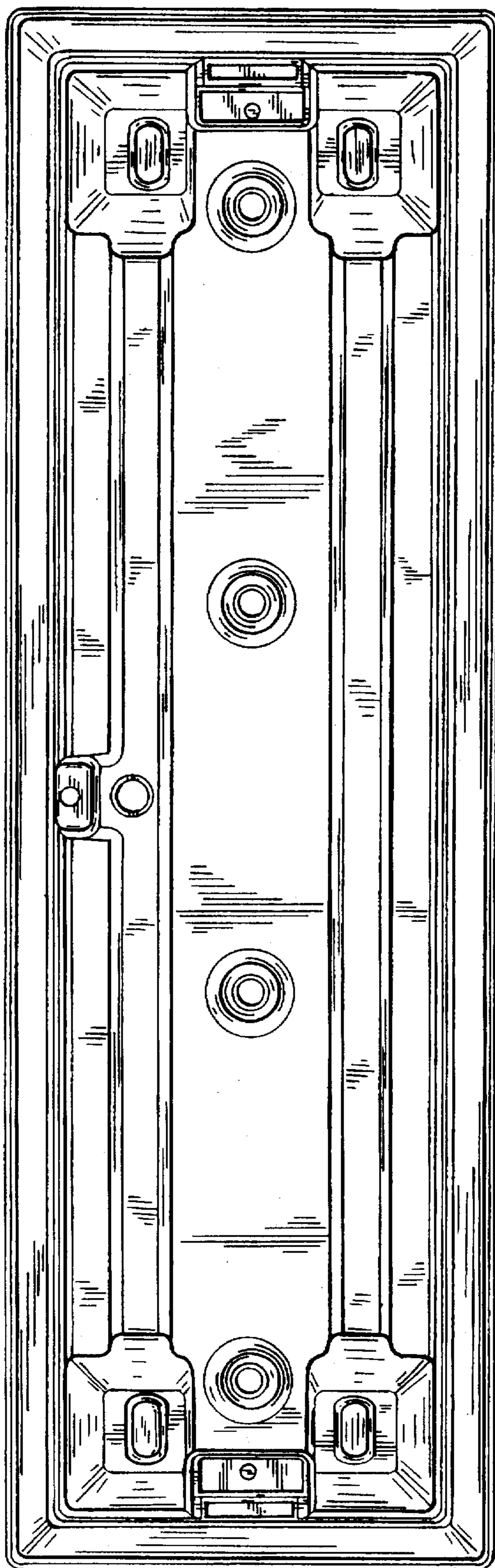


FIG. 14

