



US00D393601S

**United States Patent** [19]  
**Skiffington**

[11] **Patent Number: Des. 393,601**  
[45] **Date of Patent: \*\*Apr. 21, 1998**

- [54] **PHOTOMETER FOR USE WITH A TEST SAMPLE HOLDER**
- [75] Inventor: **Richard Skiffington**, North Reading, Mass.
- [73] Assignee: **Charm Sciences, Inc.**, Malden, Mass.
- [\*\*] Term: **14 Years**
- [21] Appl. No.: **65,079**
- [22] Filed: **Jan. 21, 1997**
- [51] **LOC (6) Cl.** ..... **10-04**
- [52] **U.S. Cl.** ..... **D10/78**
- [58] **Field of Search** ..... **D10/78; 250/330, 250/342, 358.1; 356/246, 320, 39; 436/165**

*Primary Examiner—Antoine Duval Davis*  
*Attorney, Agent, or Firm—Richard P. Crowley*

[57] **CLAIM**

The ornamental design for a photometer for use with a test sample holder, as shown and described.

**DESCRIPTION**

FIG. 1 is a perspective view from above of my new design for a photometer for use with a test sample holder. A dust cap, test sample holder and push buttons are shown in broken line for illustration purposes only, and is not part of the claimed design;

FIG. 2 is a front elevational view thereof;

FIG. 3 is a side elevational view thereof, the opposite side being a mirror image;

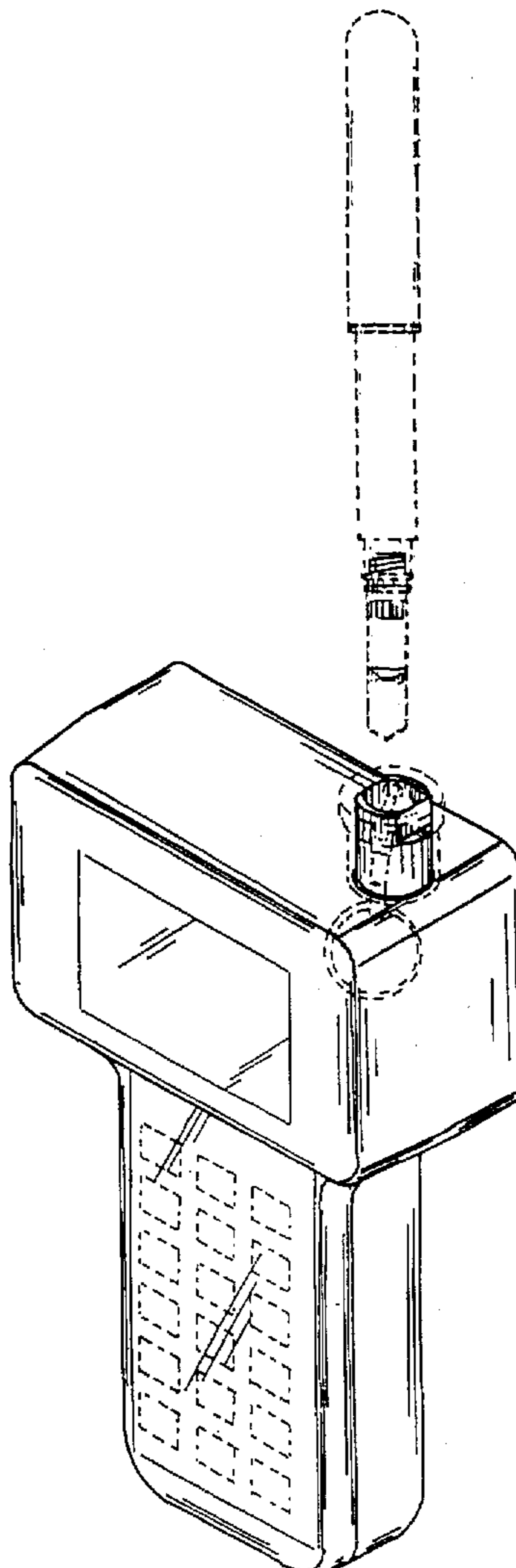
FIG. 4 is a top plan view thereof;

FIG. 5 is a rear elevational view thereof; and,

FIG. 6 is a bottom plan view thereof, with a phone jack inlet shown in broken line for illustration purposes only.

- [56] **References Cited**
- U.S. PATENT DOCUMENTS**
- D. 313,563 1/1991 Mieczkowski et al. .... D10/78
- D. 315,691 3/1991 Morgan ..... D10/78
- D. 339,994 10/1993 Rohmann ..... D10/78

**1 Claim, 3 Drawing Sheets**



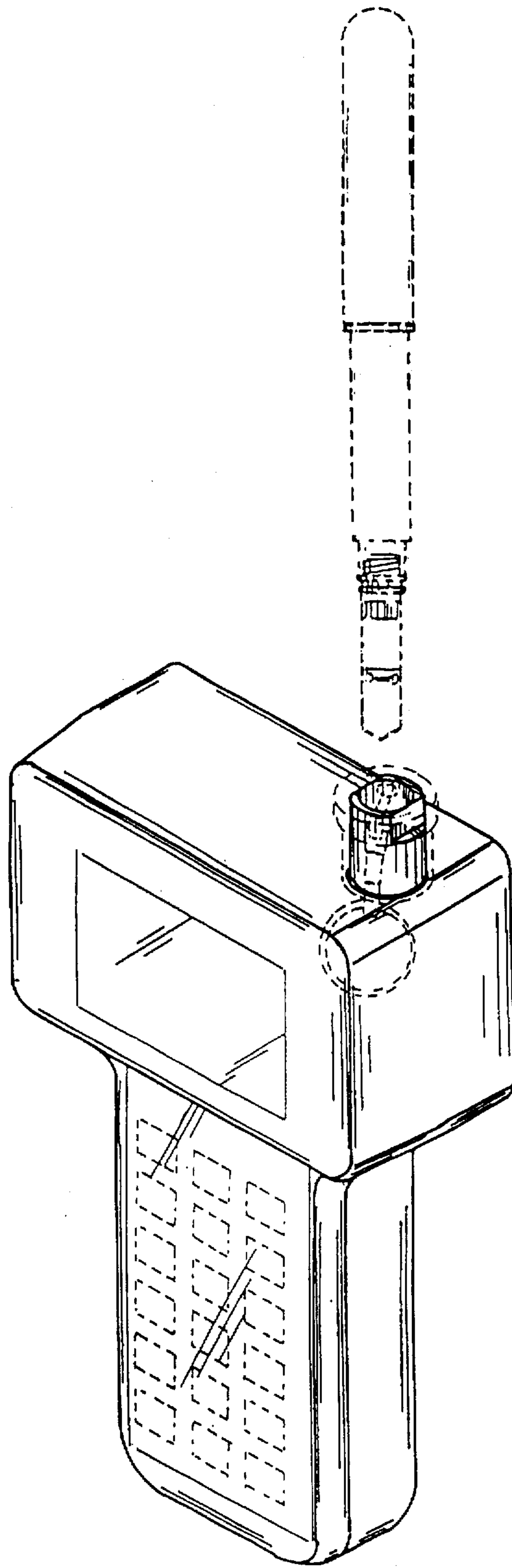


FIG. 1

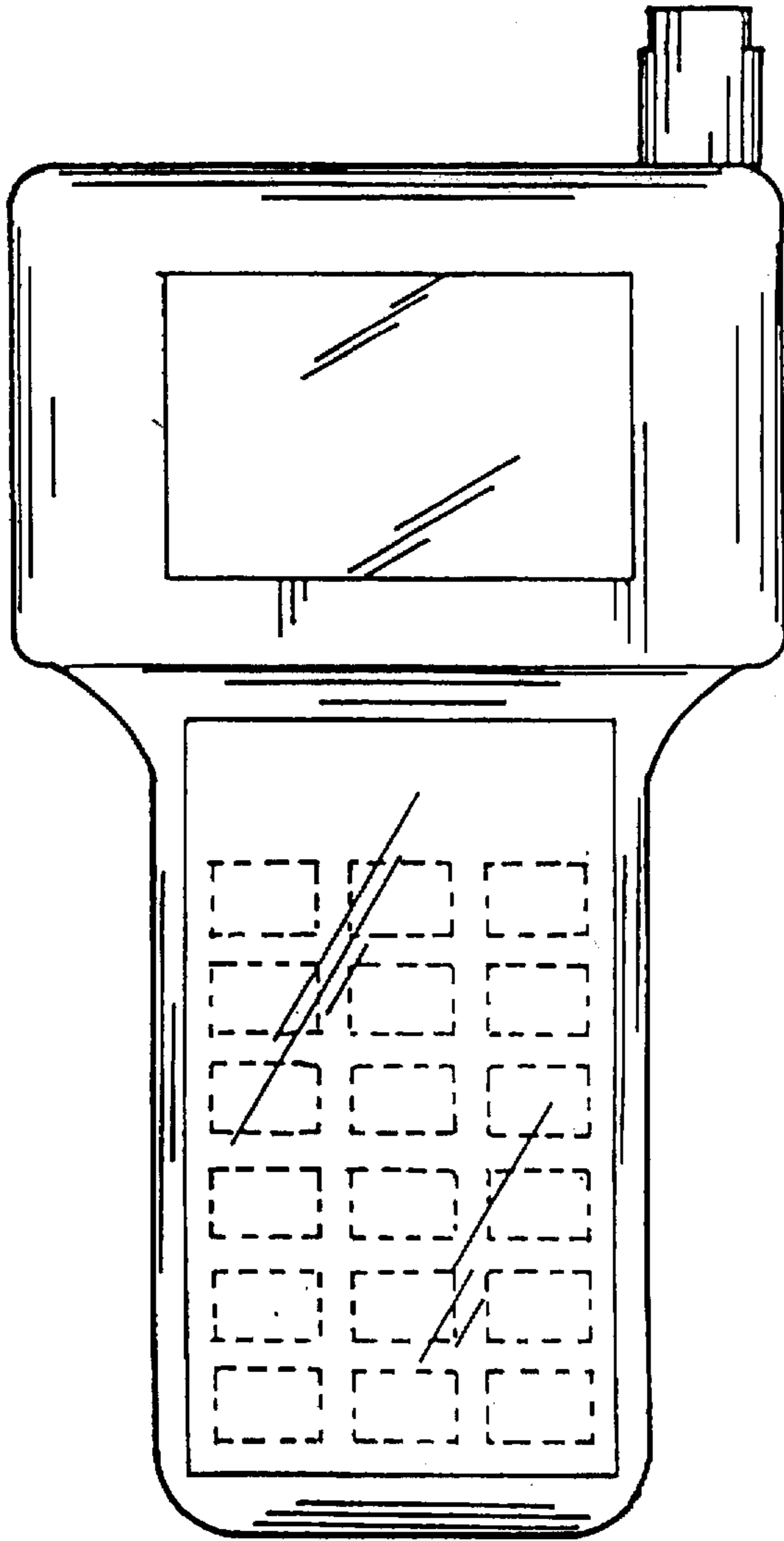


FIG. 2

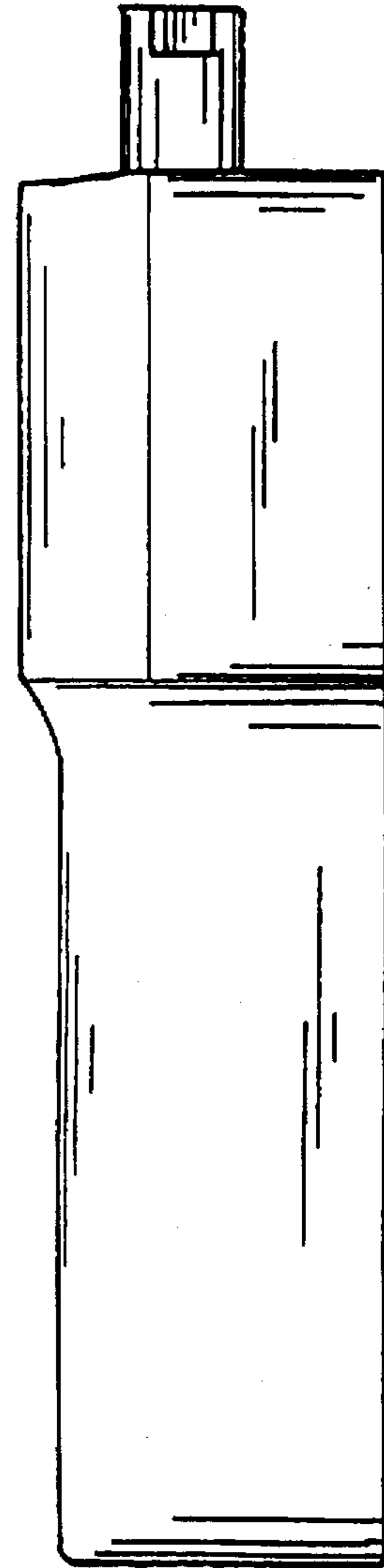


FIG. 3

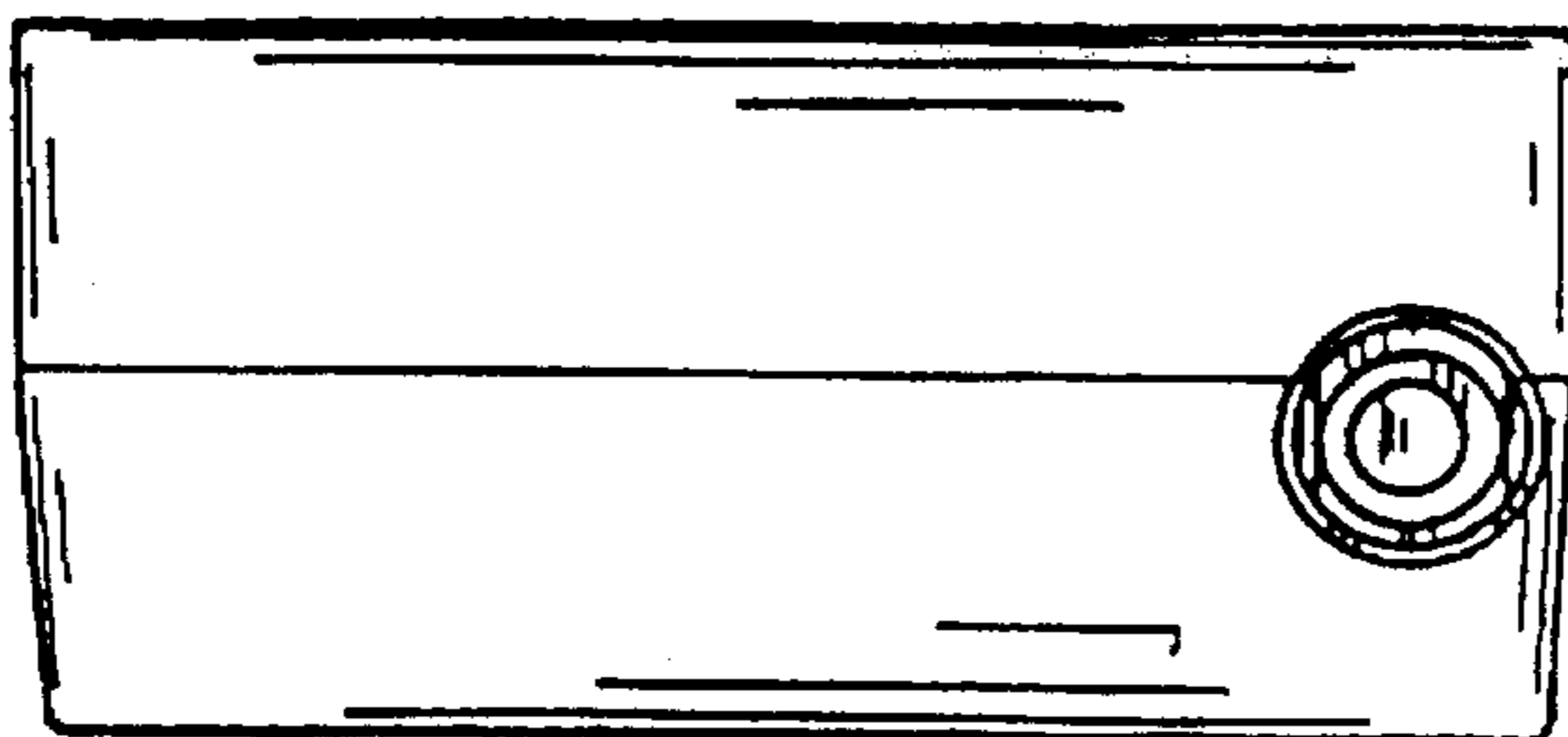


FIG. 4

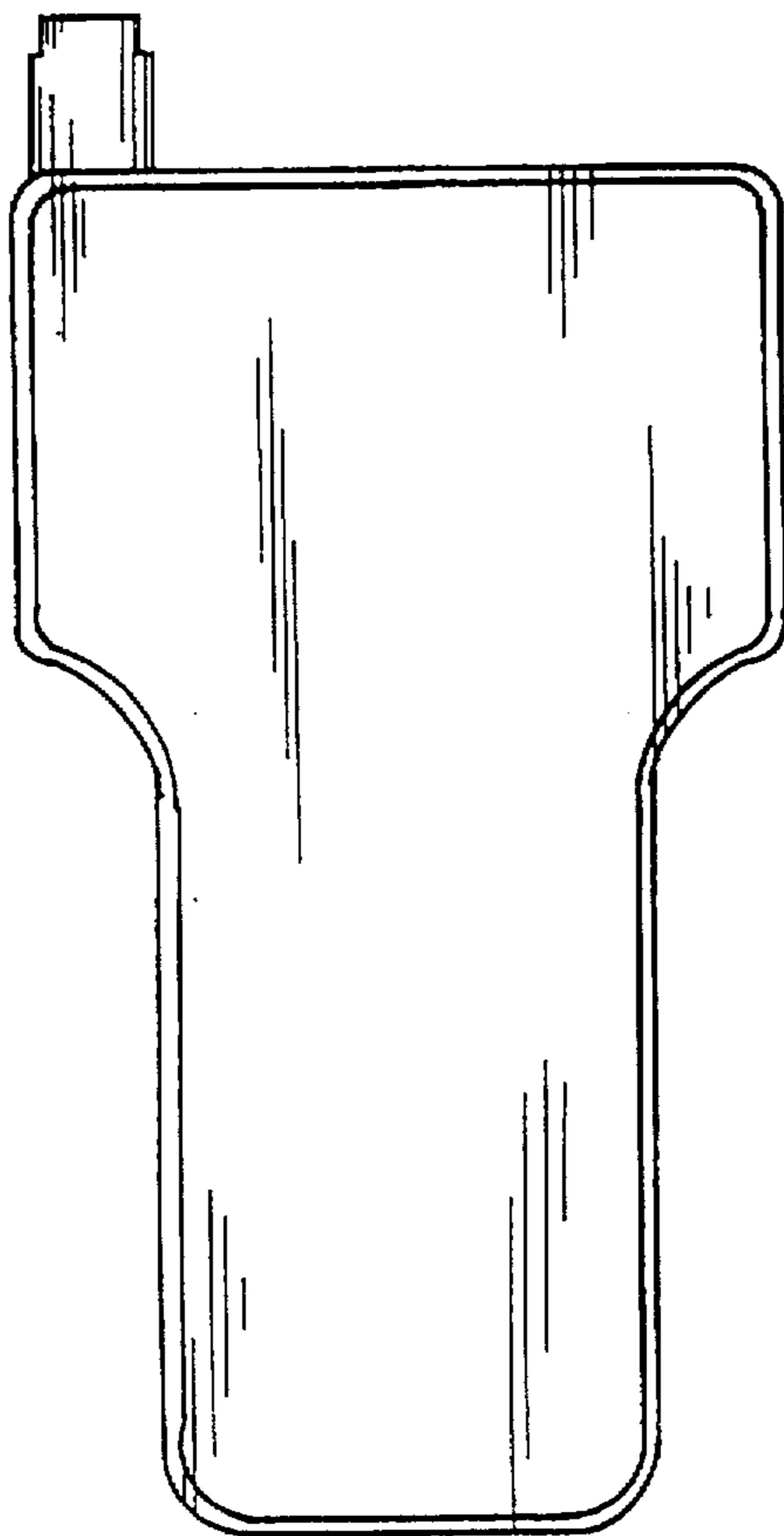


FIG. 5

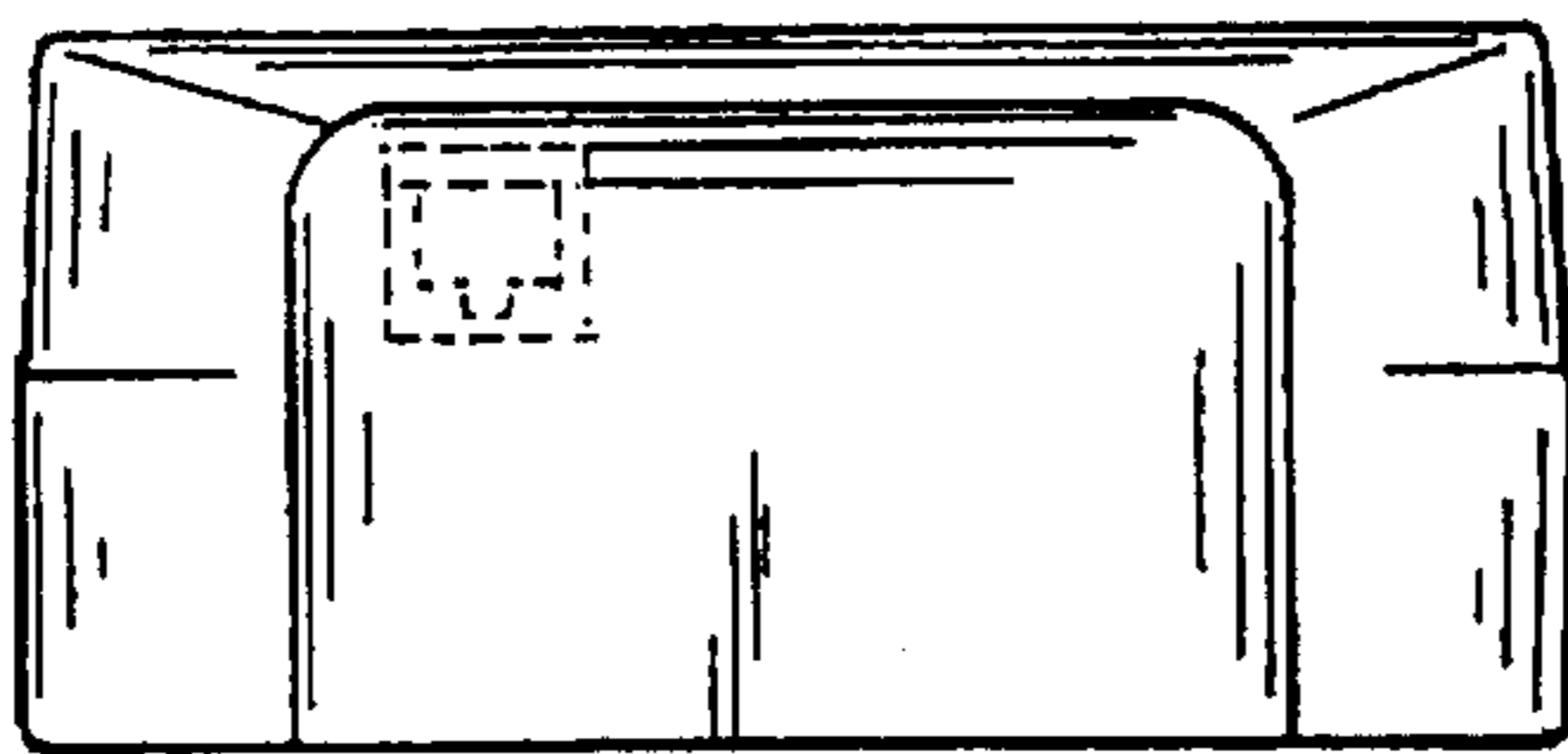


FIG. 6