



US00D393597S

United States Patent [19] Pail

[11] Patent Number: Des. 393,597
[45] Date of Patent: **Apr. 21, 1998

[54] PULSE DETECTOR STOPWATCH

Attorney, Agent, or Firm—Felfe & Lynch

[76] Inventor: Opher Pail, 625 Main St., New York, N.Y. 10044

[57] CLAIM

[**] Term: 14 Years

The ornamental design for a pulse detector stopwatch, as shown and described.

[21] Appl. No.: 70,225

DESCRIPTION

[22] Filed: May 2, 1997

[51] LOC (6) Cl. 10-03

FIG. 1 is a perspective view of the pulse detector stopwatch of the invention with the door thereof open;

[52] U.S. Cl. D10/30; D10/40; D10/31

FIG. 2 is a front view of the pulse detector stopwatch of the invention with the door thereof open;

[58] Field of Search D10/1-40, 122-132; 368/97-100, 107-121, 276-277, 285, 316, 317; D24/186-187

FIG. 3 is a view taken from the right side of FIG. 2;

[56] References Cited

FIG. 4 is a rear view of the pulse detector stopwatch;

U.S. PATENT DOCUMENTS

FIG. 5 is a view taken from the left side of FIG. 2;

D. 312,215	11/1990	Houlihan	D10/30
D. 344,523	2/1994	Kanno	D14/218
D. 355,916	2/1995	Wathen	D10/75 X
D. 368,230	3/1996	Cohen	D10/40
D. 373,029	8/1996	Young	D14/218
D. 380,207	6/1997	Wang	D14/218 X
D. 380,449	7/1997	Palaton	D13/168
D. 381,661	7/1997	Althans	D14/218
4,262,842	4/1981	Grover	368/10 X

FIG. 6 is a top view of the pulse detector stopwatch as seen in FIG. 2;

OTHER PUBLICATIONS

FIG. 7 is a bottom view of the pulse detector stopwatch as seen in FIG. 2;

Beeker's Catalog, Holiday 1989—p. 3—Calculator at bottom-right, 1989.

FIG. 8 is a perspective view of the pulse detector stopwatch with the door thereof closed; and,

FIG. 9 is a front view of the pulse detector stopwatch with the door thereof closed.

Primary Examiner—Nelson C. Holtje

1 Claim, 4 Drawing Sheets

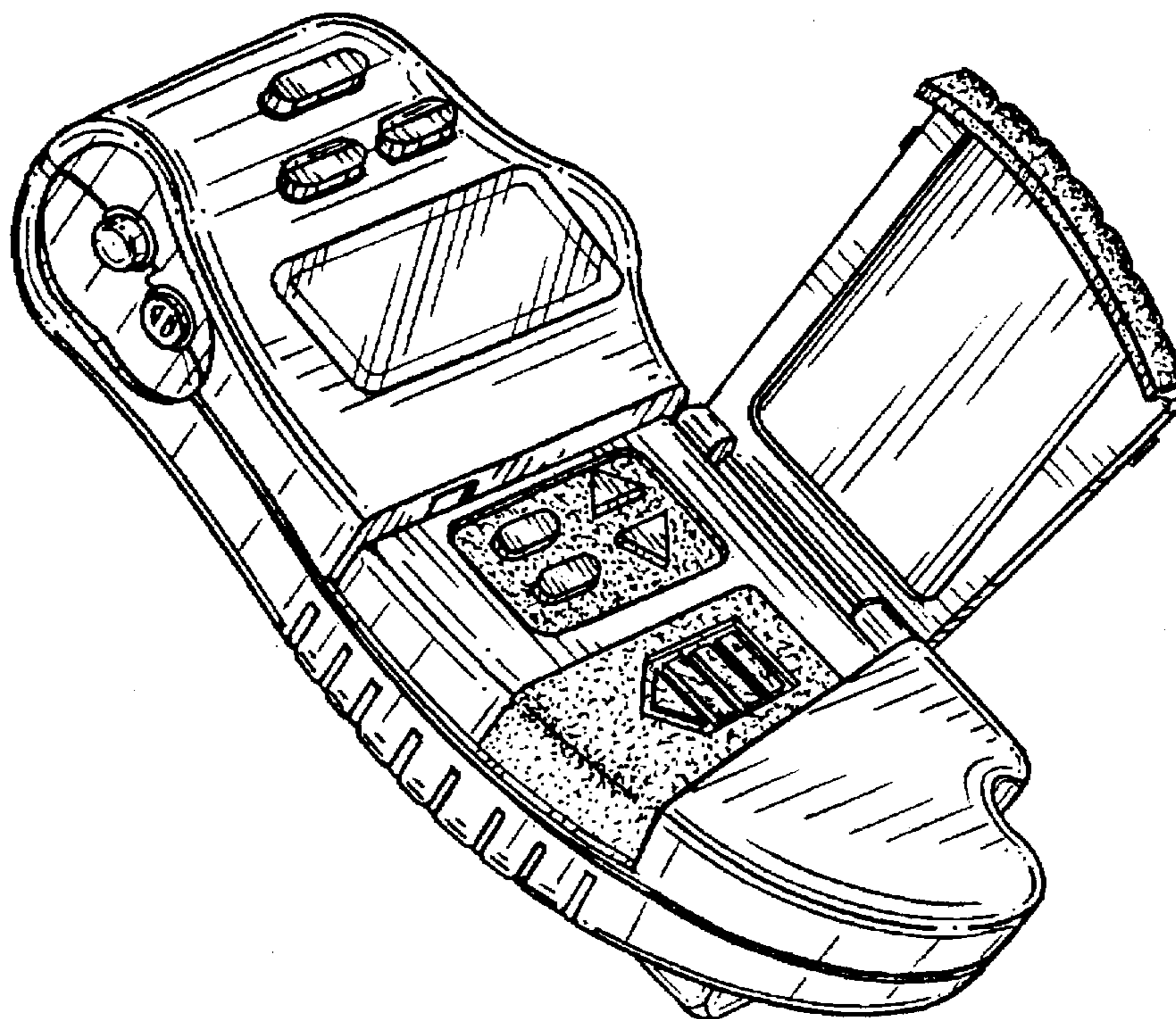


FIG. 1

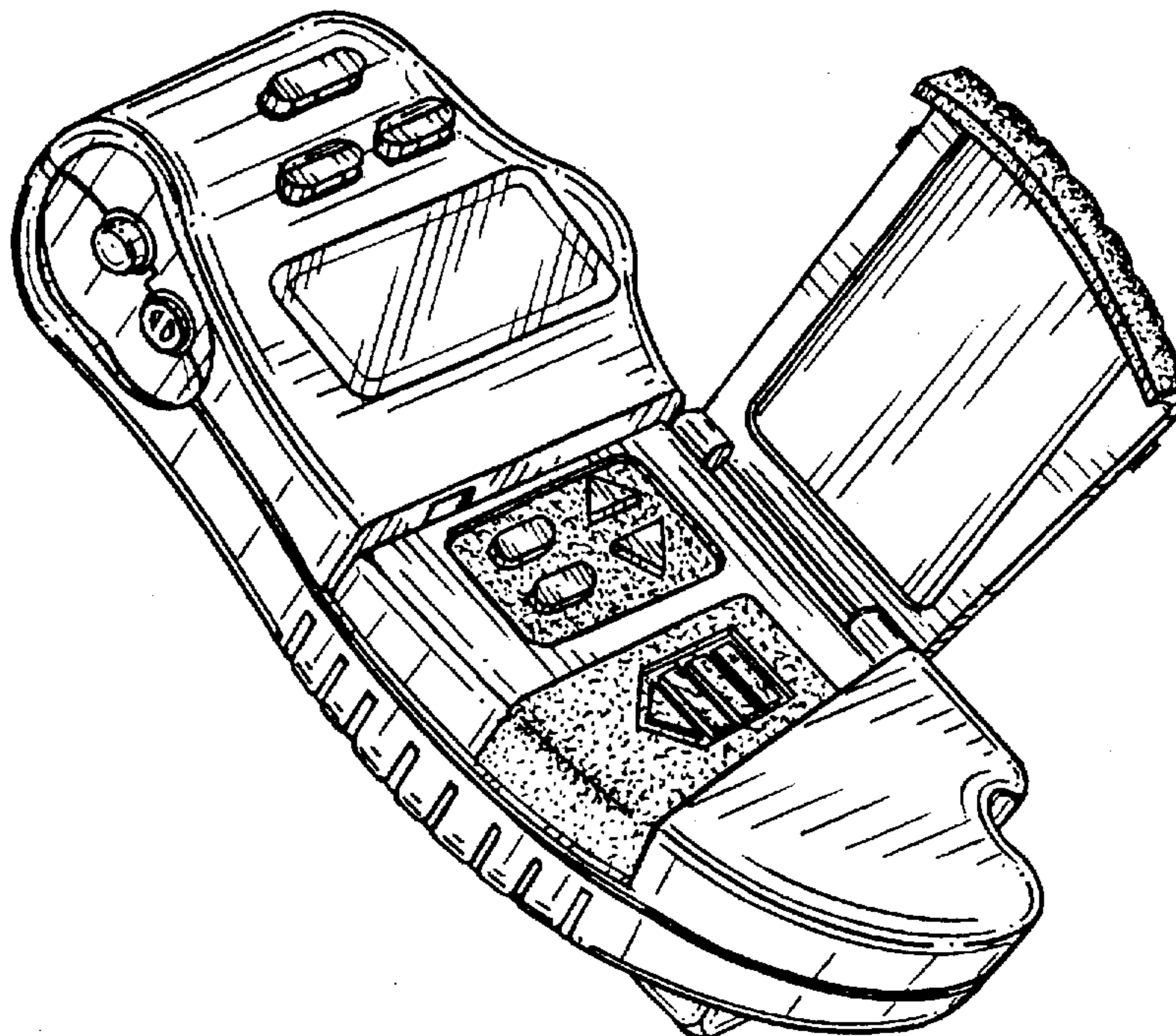


FIG. 2

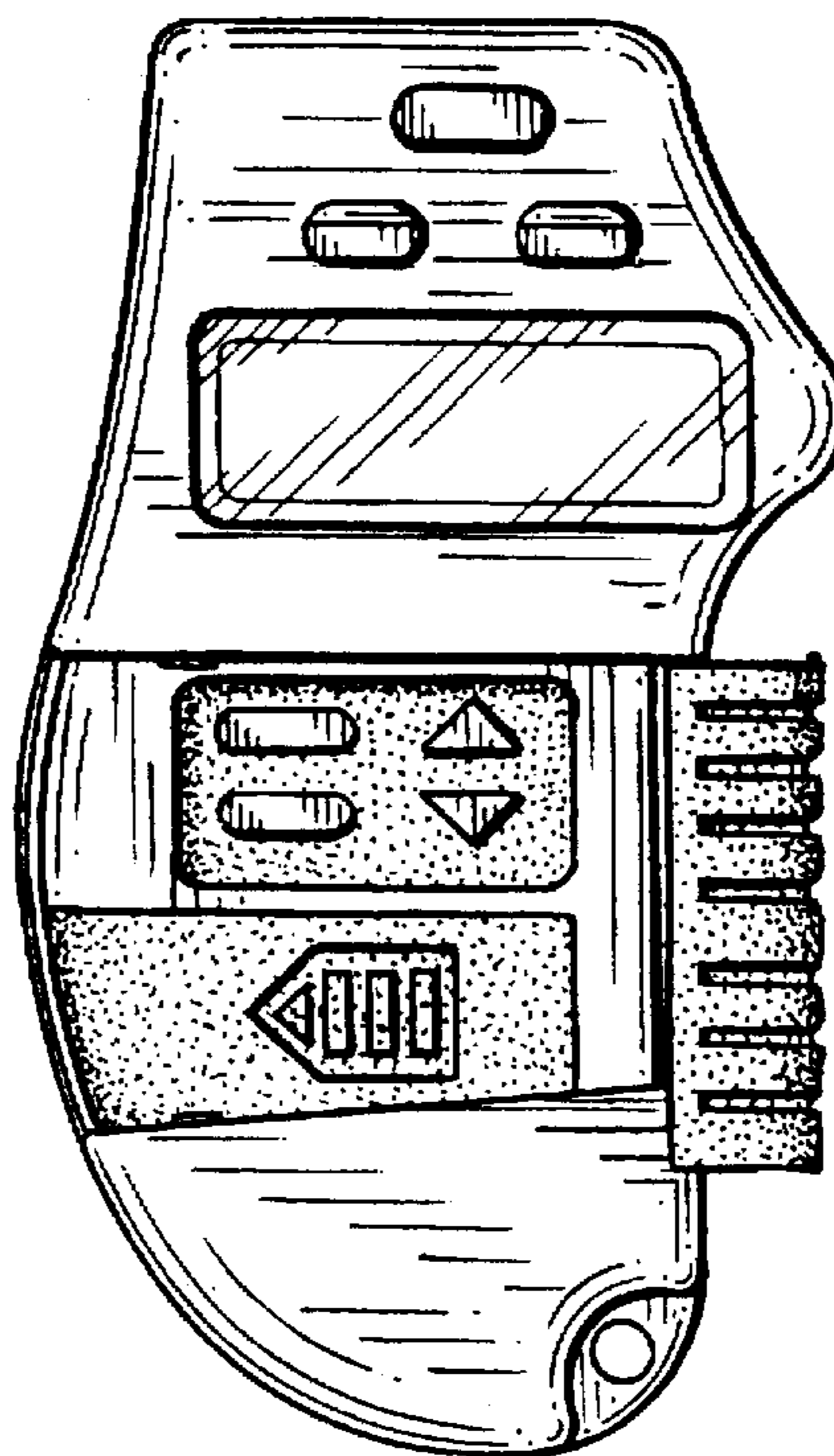


FIG. 5

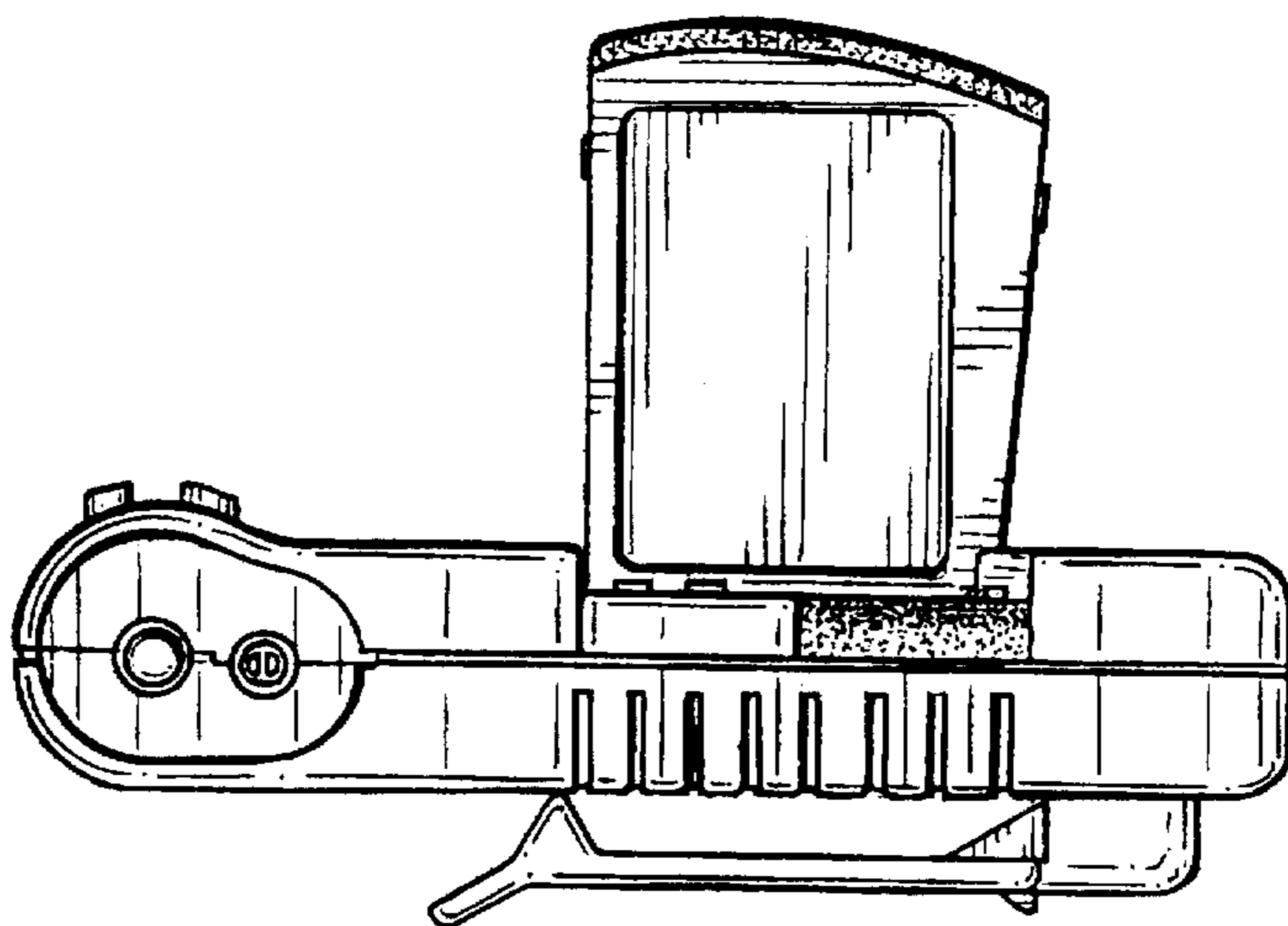


FIG. 4

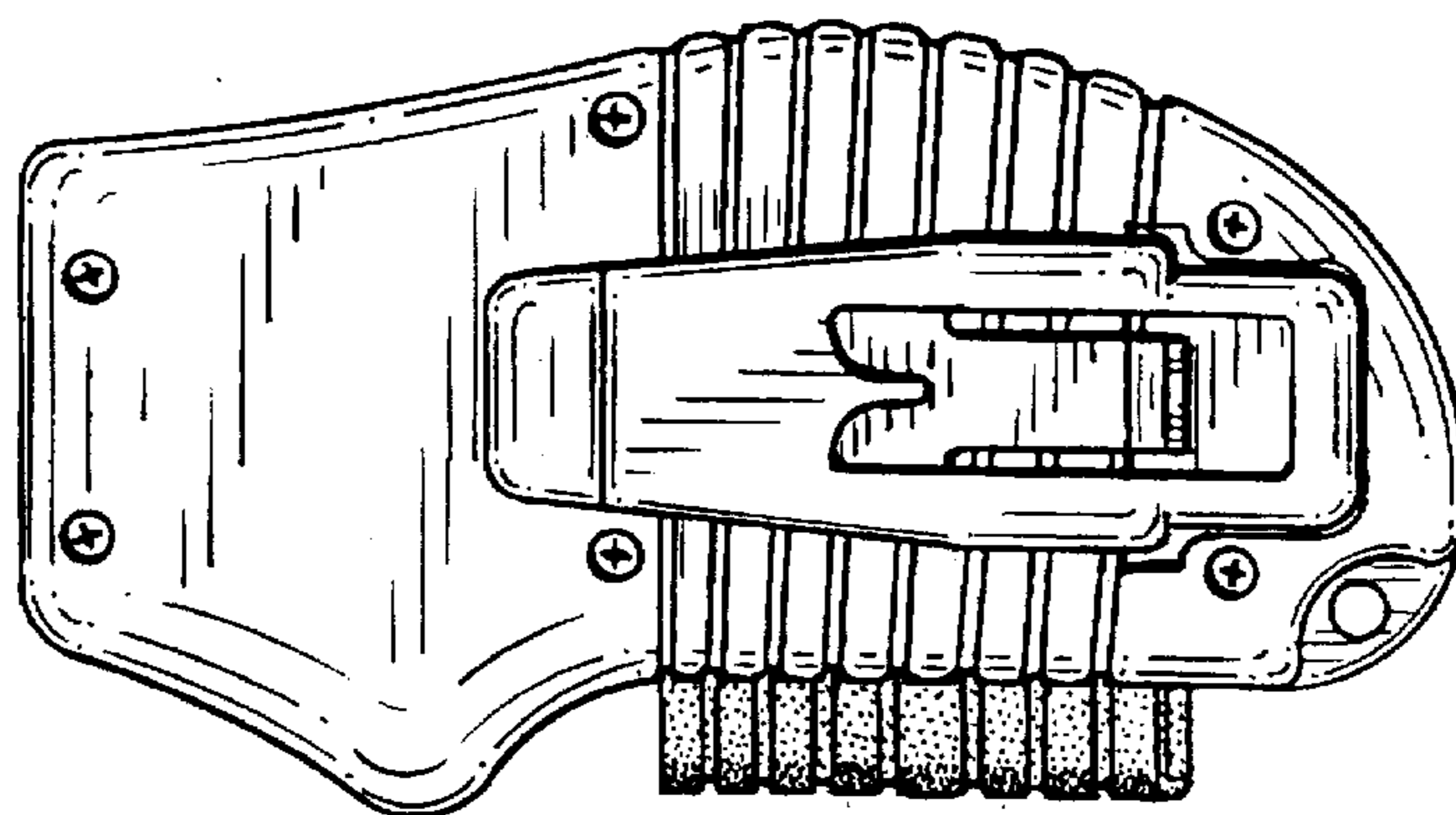


FIG. 3

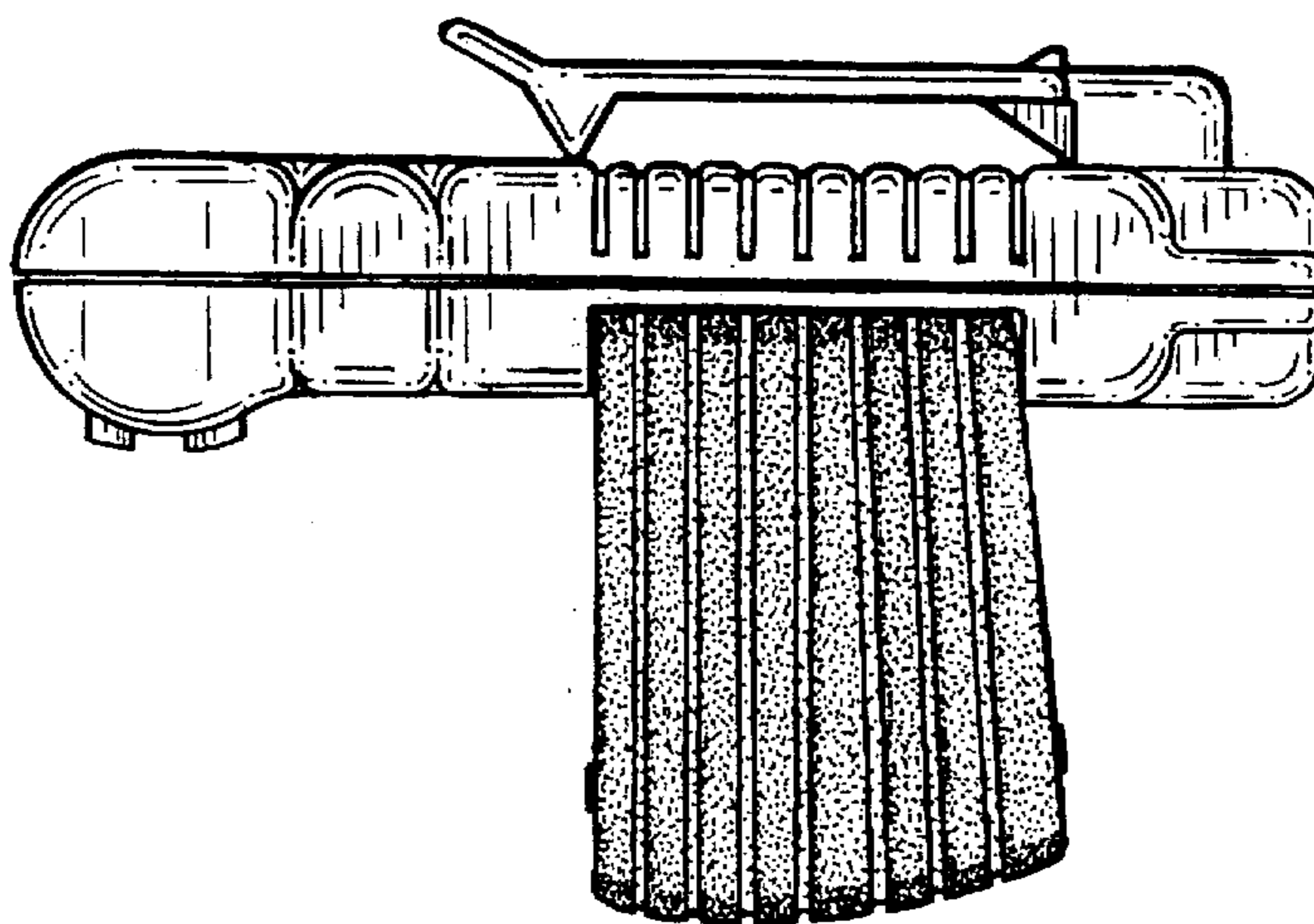


FIG. 6

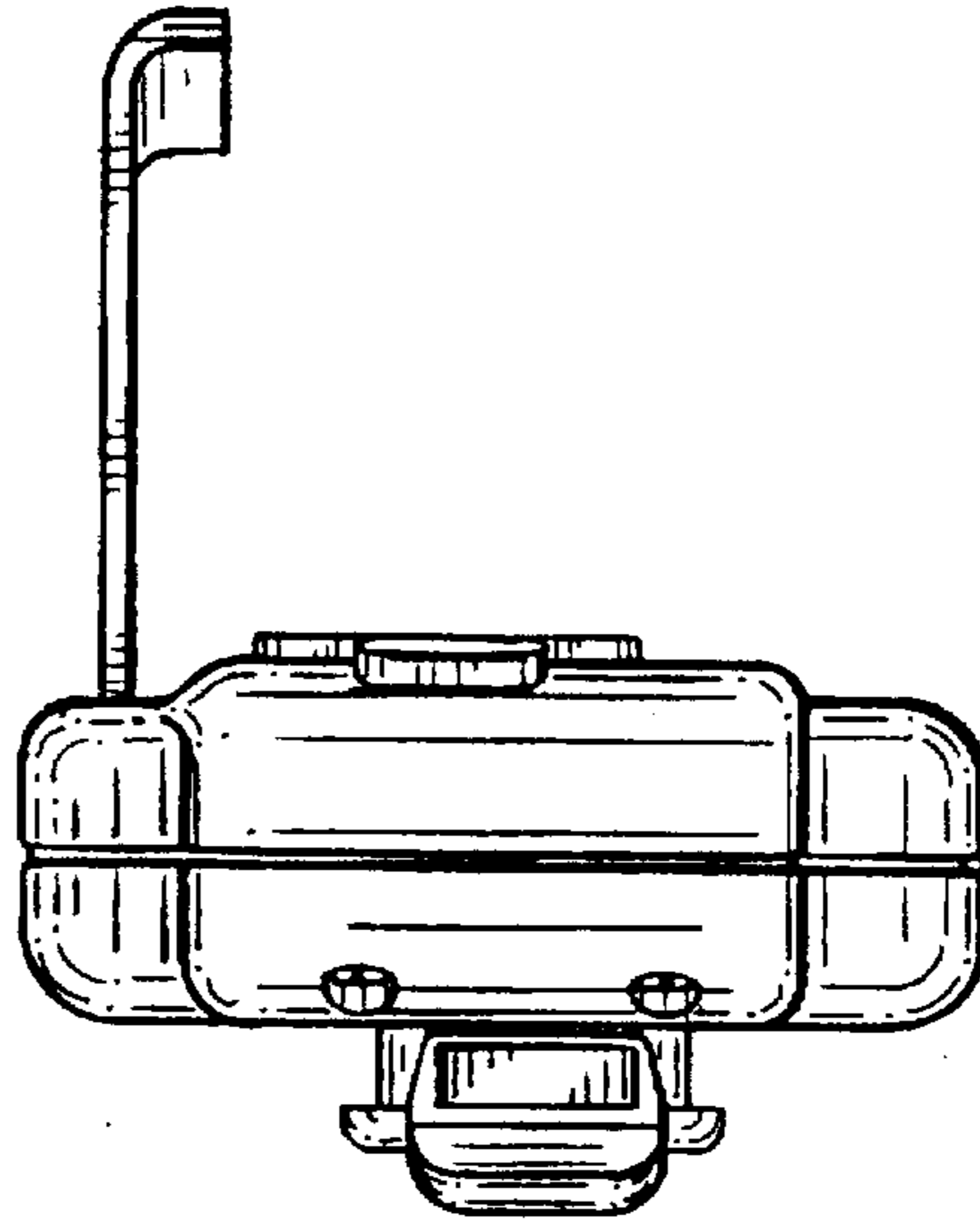


FIG. 7

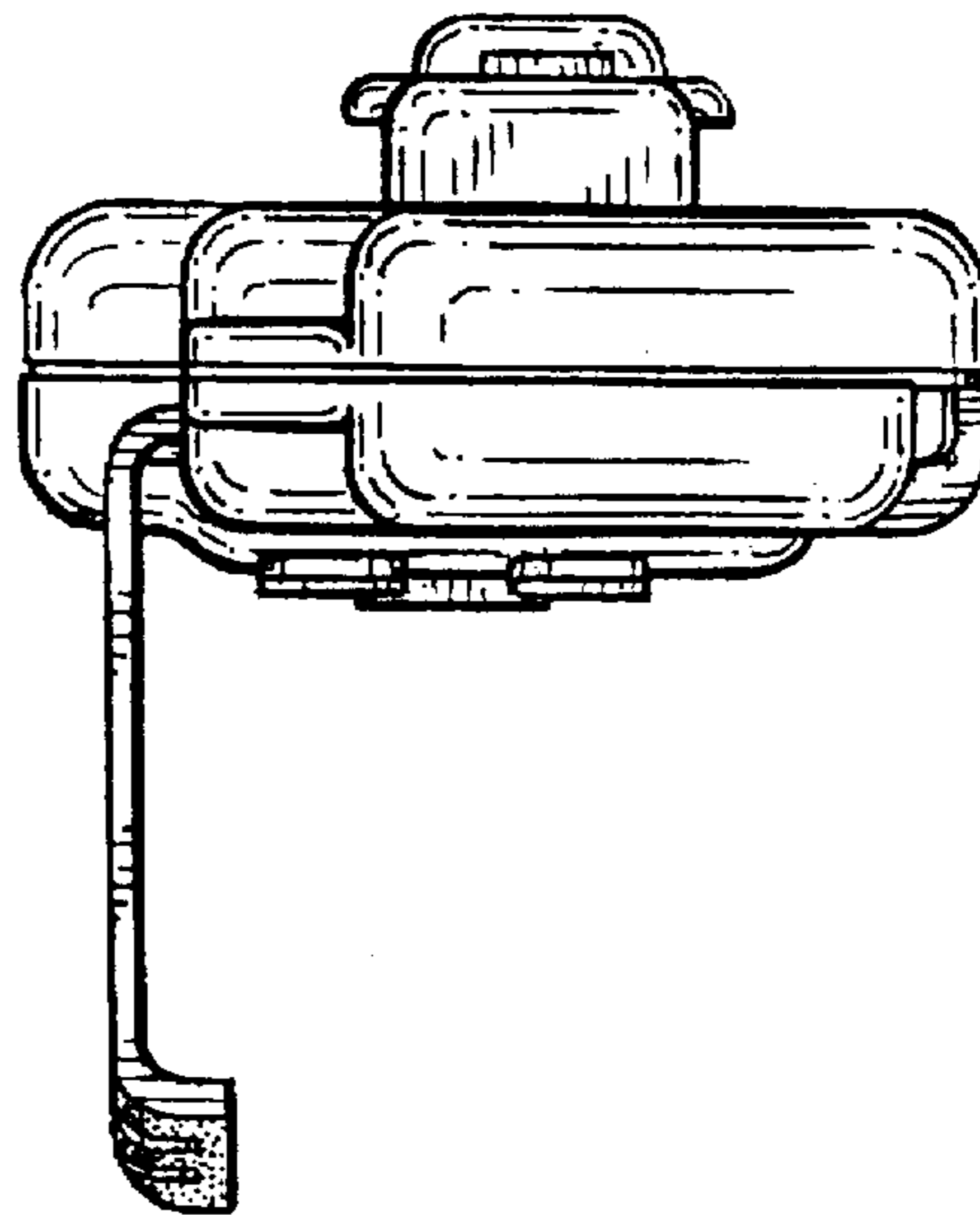


FIG. 8

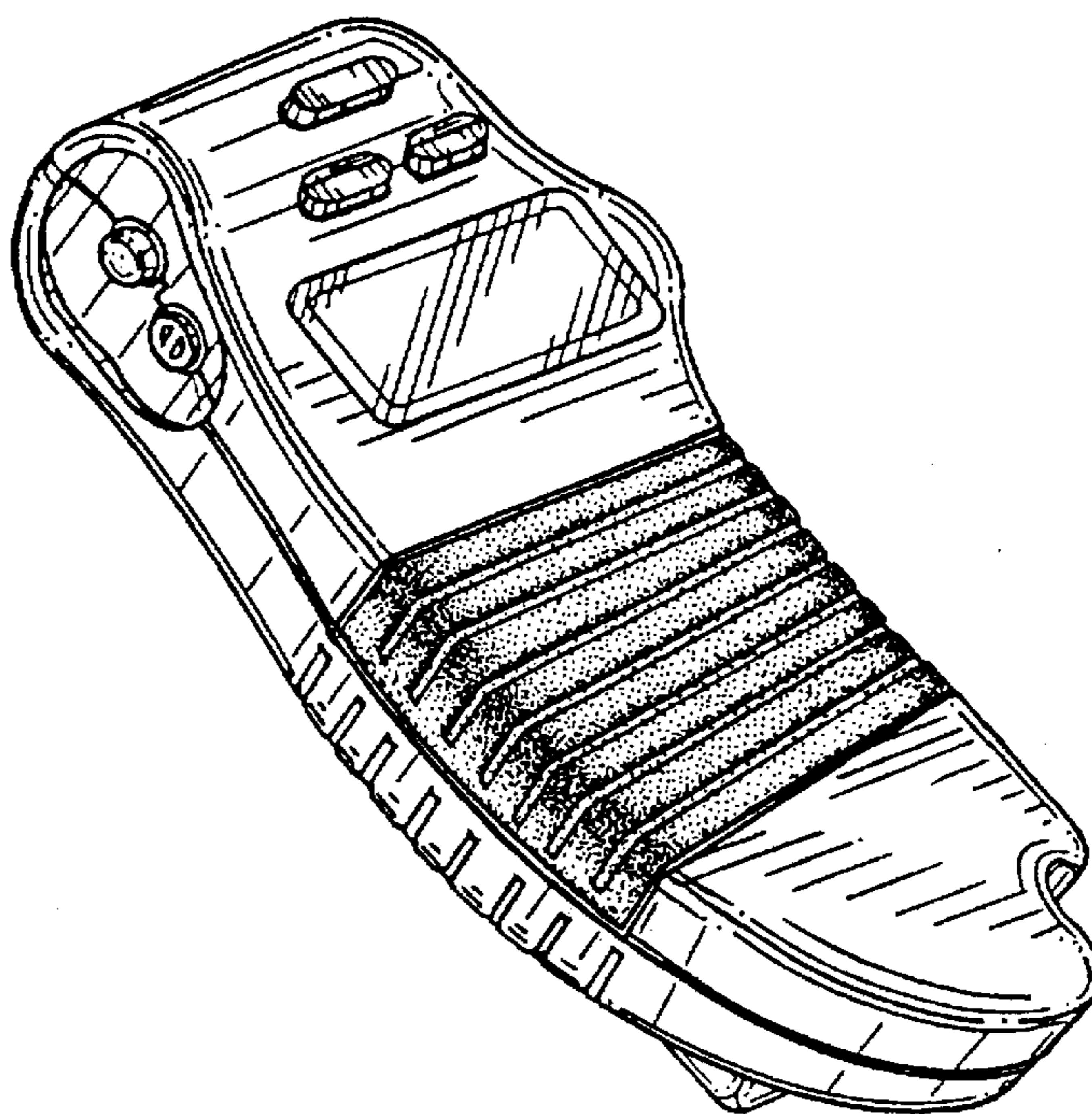


FIG. 9

