



US00D393592S

United States Patent [19]

[11] Patent Number: Des. 393,592

Robinson et al.

[45] Date of Patent: **Apr. 21, 1998

[54] CLOSURE FOR A BOX FOR STRAWS

3,645,384	2/1972	Wind	220/339 X
3,710,975	1/1973	Jansen	220/339
3,784,055	1/1974	Anderson	206/494 X
4,273,249	6/1981	Florian	220/4.23 X

[75] Inventors: **Ron Robinson**, Bridgeton; **Terrance J. McMichael**, Kirkwood, both of Mo.; **Brian Flynn**, Glendale Hts., Ill.; **John Hoffman**, Chicago, Ill.; **Richard B. Partlow**, Naperville, Ill.; **David Rosten**, Cambridge, Minn.

Primary Examiner—James Gandy
Assistant Examiner—Cathron B. Matta
Attorney, Agent, or Firm—Nicholas I. Slepchuk, Jr.

[73] Assignee: **bioMérieux Vitek, Inc.**, Hazelwood, Mo.

[57] CLAIM

The ornamental design for a closure for a box for straws, as shown and described.

[**] Term: 14 Years

DESCRIPTION

[21] Appl. No.: 61,824

FIG. 1 is a perspective view of closure for a box for straws showing our new design;

[22] Filed: Oct. 31, 1996

FIG. 2 is a top plan view thereof;

[51] LOC (6) Cl. 09-07

FIG. 3 is a front elevational view thereof;

[52] U.S. Cl. D9/435

FIG. 4 is a bottom plan view thereof;

[58] Field of Search D9/435, 446, 454, D9/499, 420, 423; D3/323, 326; 206/443, 494, 775, 779, 780, 783; 229/103.2, 125.35; 220/337, 339, 4.22, 4.23

FIG. 5 is a rear elevational view;

FIG. 6 is a side elevational view thereof, the opposite side being a mirror image thereof;

FIG. 7 is a cross-sectional view thereof taken along line VII—VII of FIG. 2; and,

FIG. 8 is a cross-sectional view thereof taken along line VIII—VIII of FIG. 2 thereof.

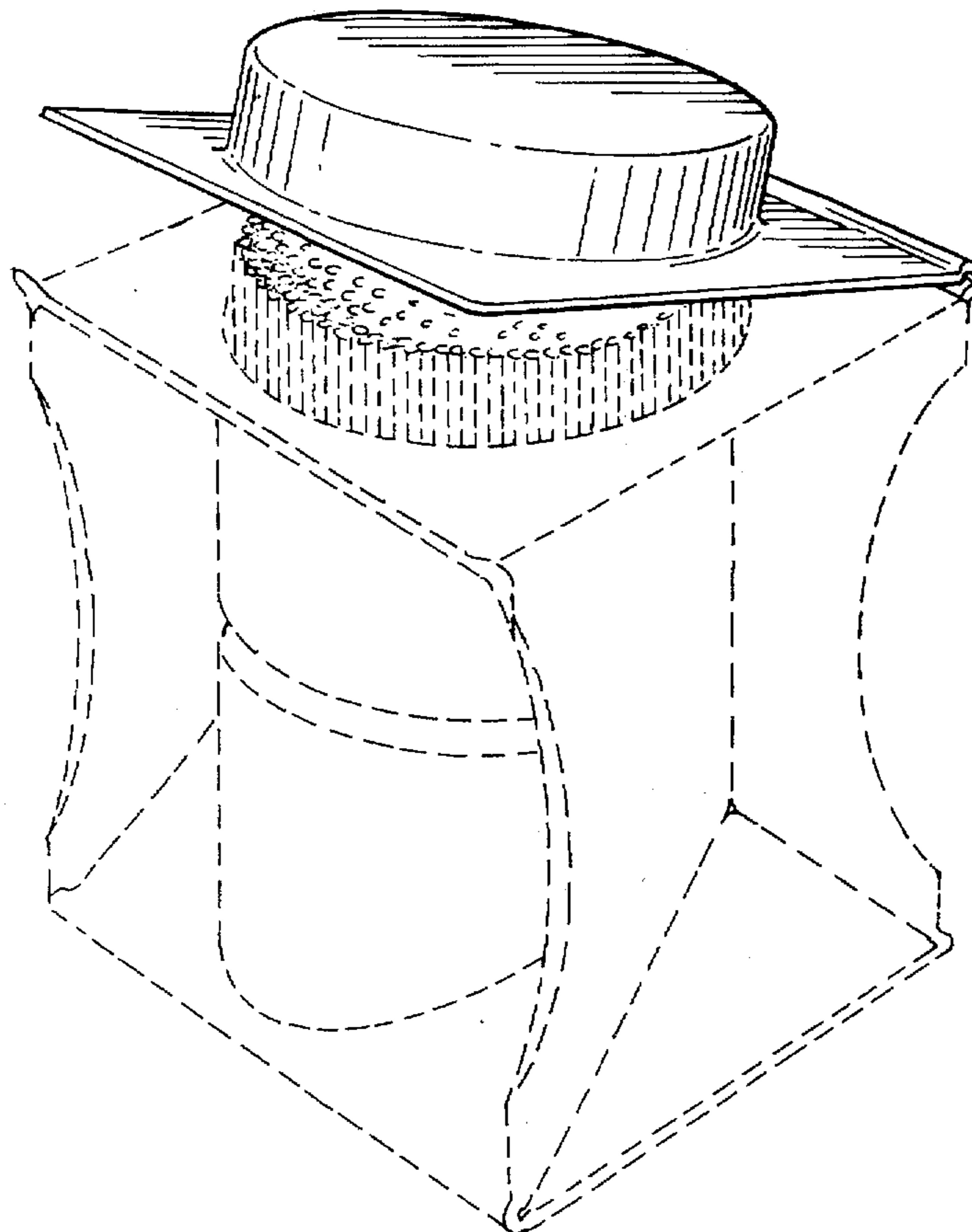
The broken line showing of box for straws is for illustrative purposes only and forms no part of the claimed design.

[56] References Cited

U.S. PATENT DOCUMENTS

3,148,103	9/1964	Gallagher	220/339 X
3,511,433	5/1970	Andrews et al.	220/339 X
3,556,337	1/1971	Harmon	220/339 X
3,567,013	3/1971	Tannenbaum	220/339 X

1 Claim, 2 Drawing Sheets



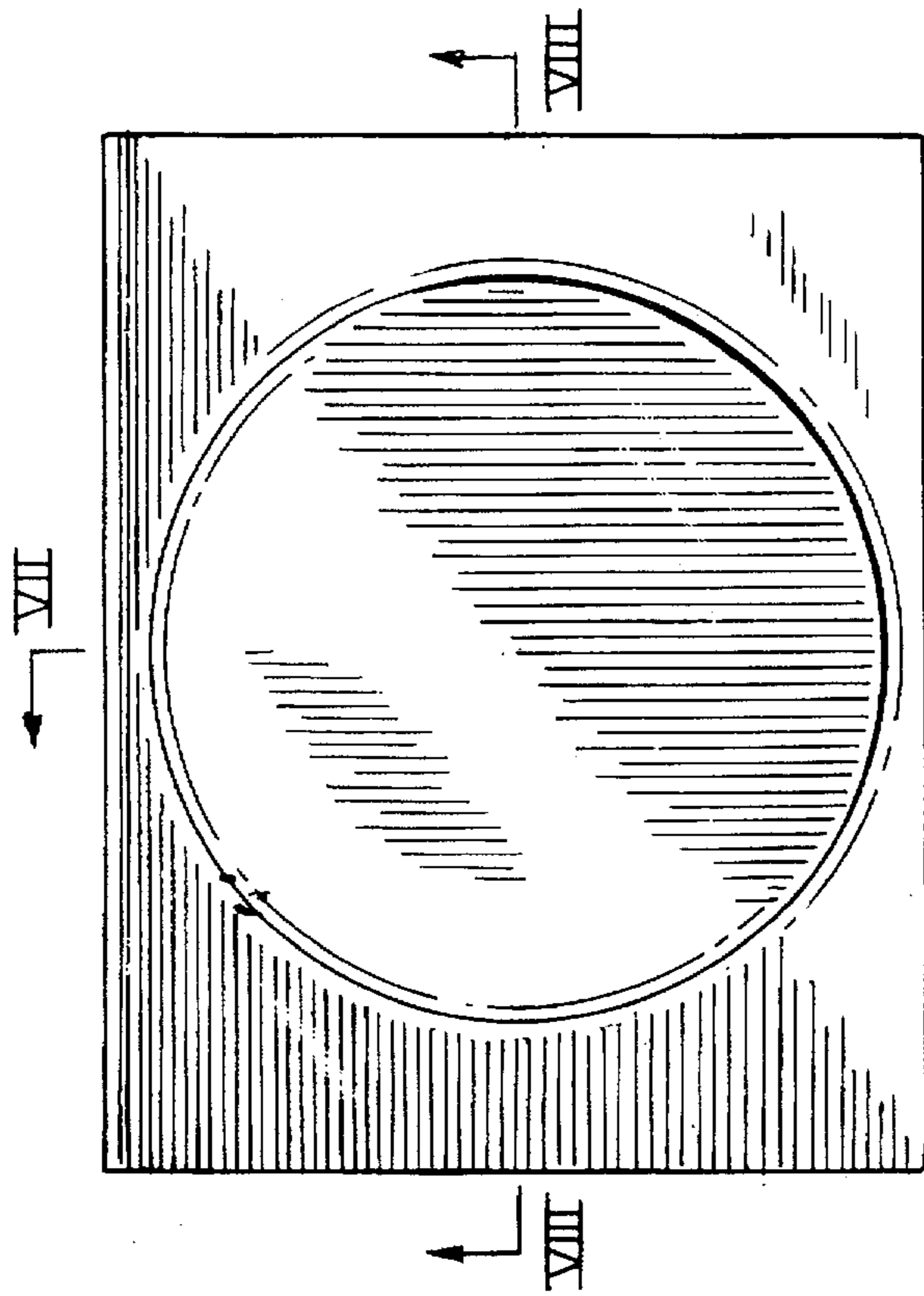


FIG. 2

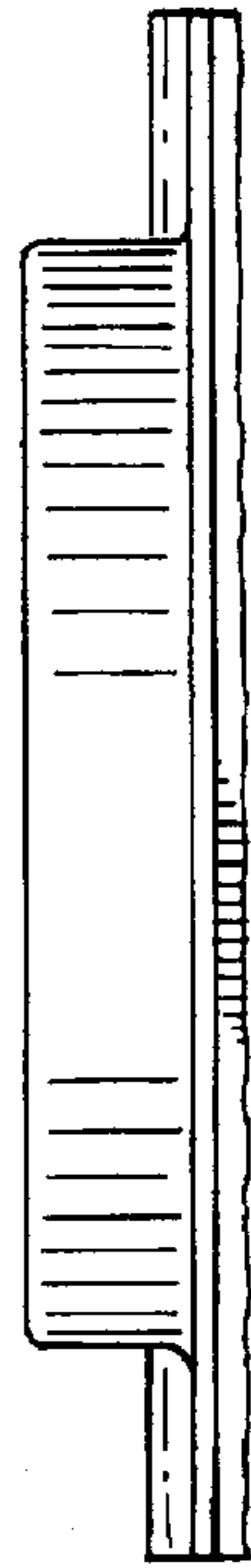


FIG. 3

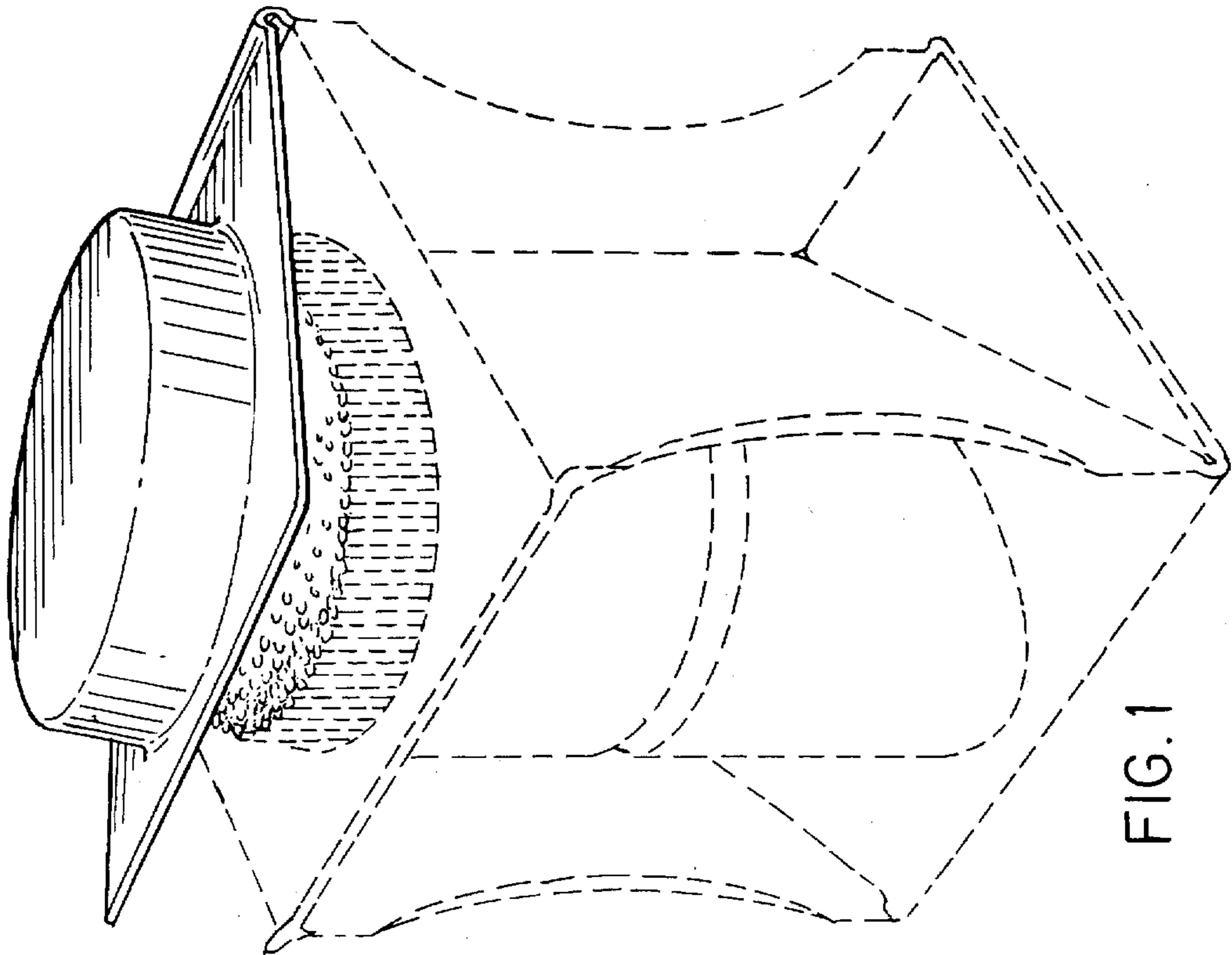


FIG. 1

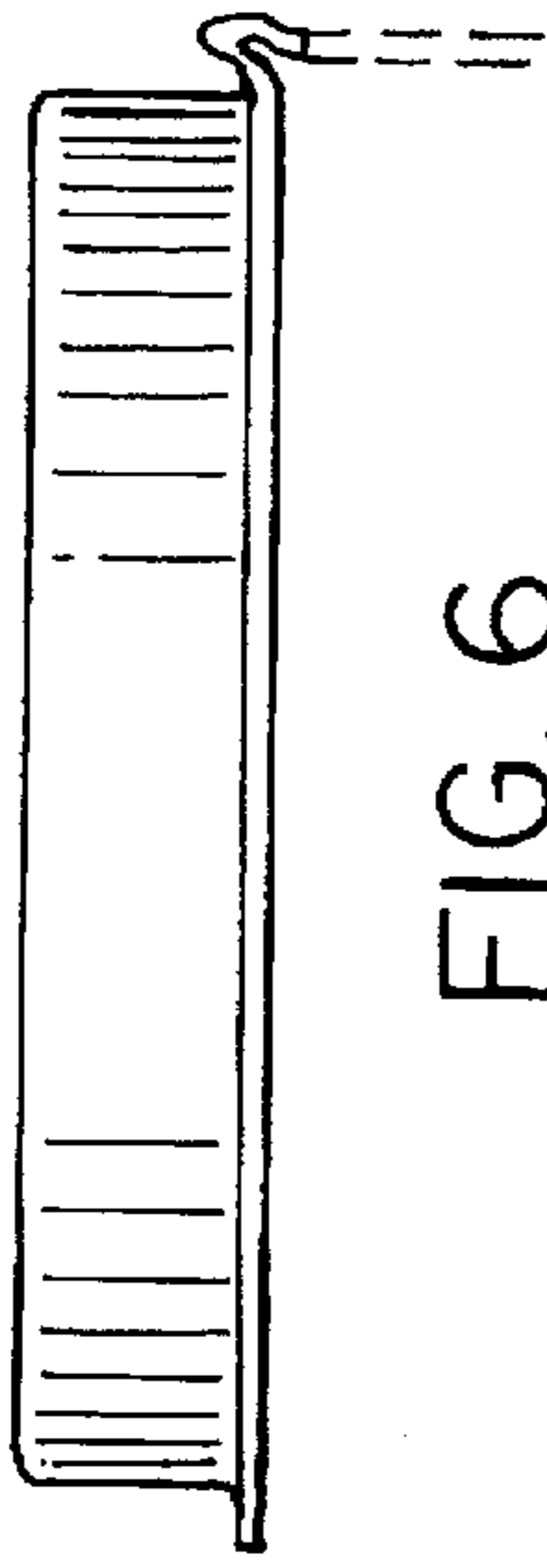


FIG. 6

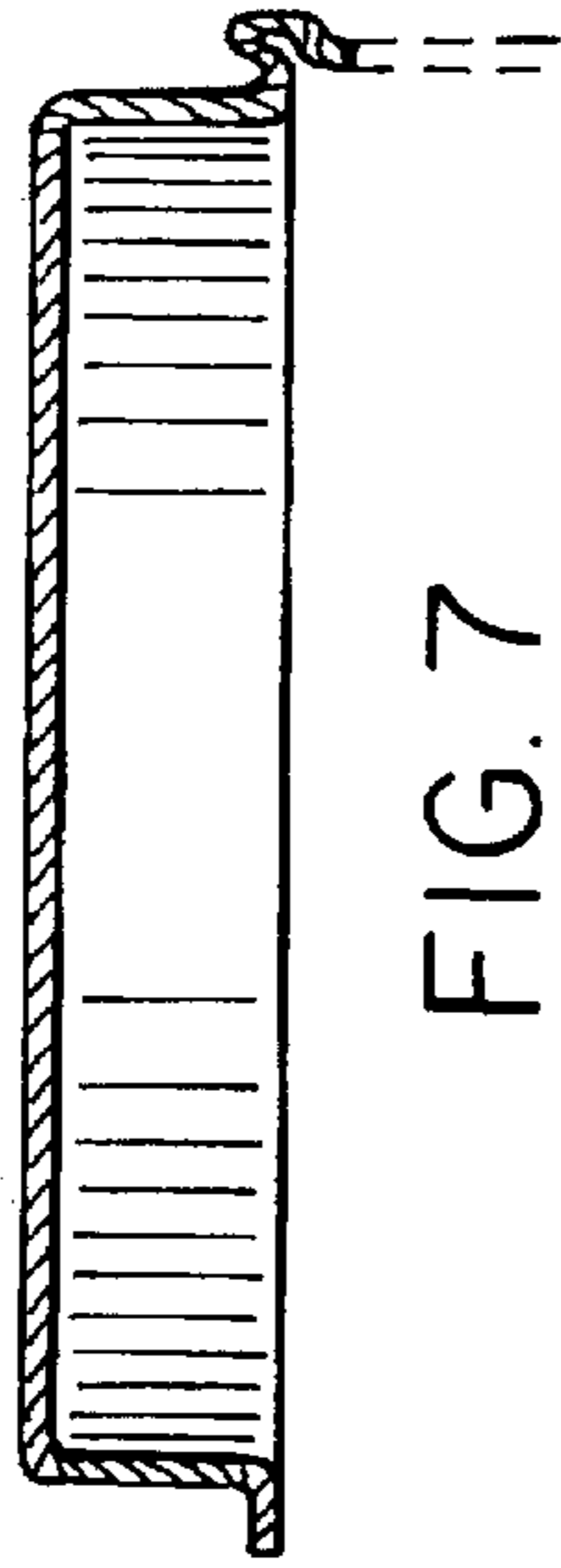


FIG. 7

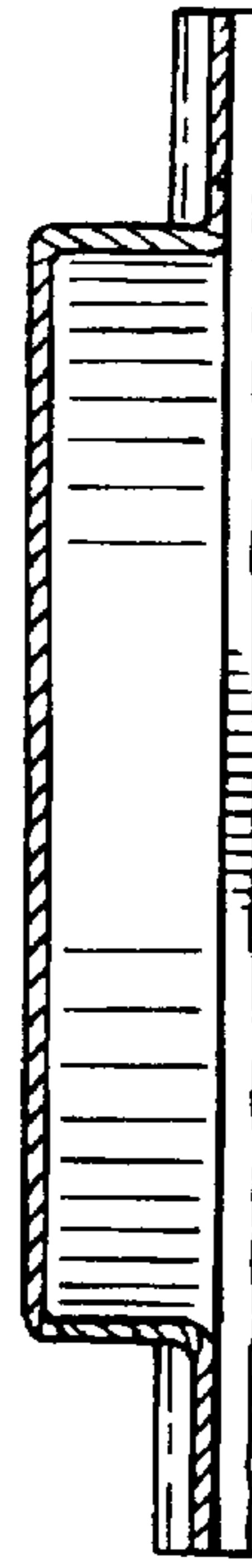


FIG. 8

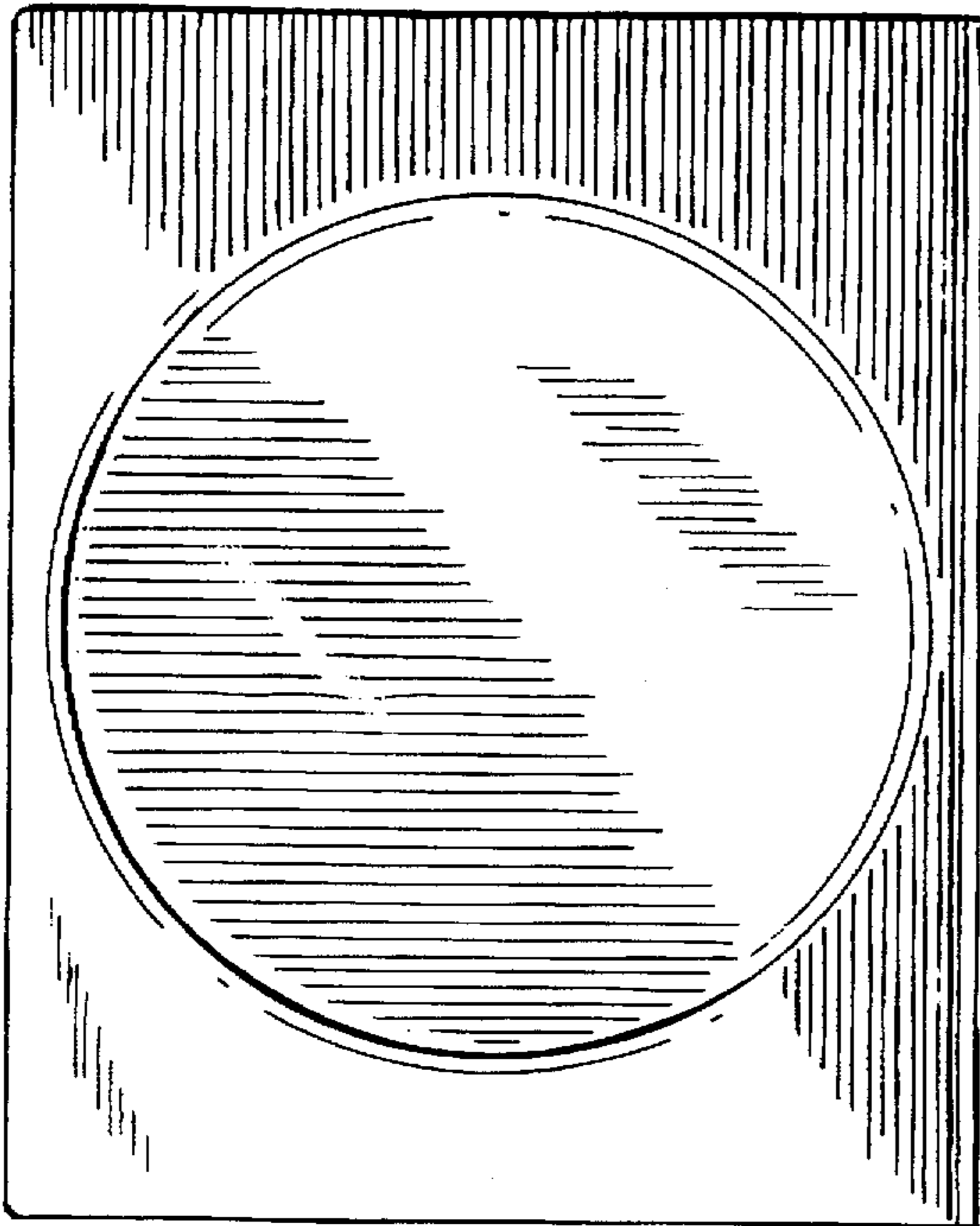


FIG. 4

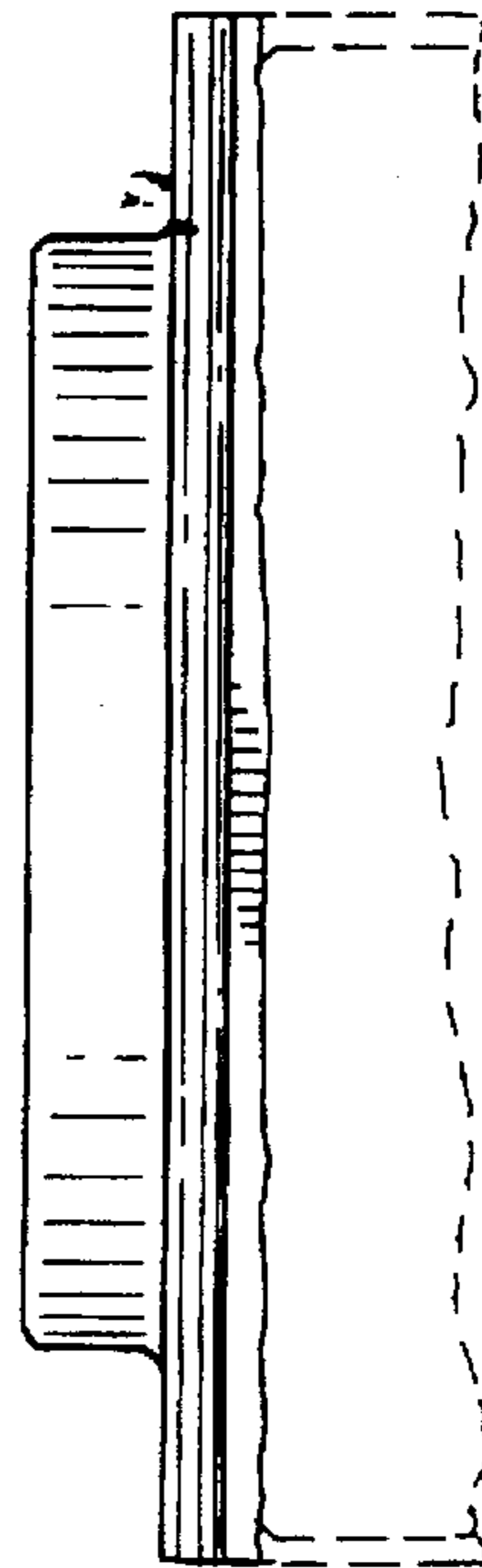


FIG. 5