



US00D393590S

United States Patent [19]

[11] Patent Number: **Des. 393,590**

Roney

[45] Date of Patent: ****Apr. 21, 1998**

[54] **MICROWAVE POPCORN BAG WITH OPENING HANDLE**

4,277,506 7/1981 Austin 229/125.34 X
4,848,575 7/1989 Nakamura et al. 383/66 X

[76] Inventor: **Derrick T. Roney**, 10921 Inwood Ave.
Apt #401, Silver Spring, Md. 20902

Primary Examiner—James Gandy
Assistant Examiner—Cathron B. Matta

[**] Term: **14 Years**

[57] **CLAIM**

[21] Appl. No.: **70,485**

The ornamental design for a microwave popcorn bag with opening handle, as shown.

[22] Filed: **May 8, 1997**

DESCRIPTION

[51] **LOC (6) Cl.** **09-05**

FIG. 1 is a front plan view of the microwave popcorn bag with opening handle of the present invention;

[52] **U.S. Cl.** **D9/305; D9/416; D9/431**

FIG. 2 is a back plan view of the microwave popcorn bag with opening handle of FIG. 1;

[58] **Field of Search** D9/305, 414, 416,
D9/426, 431; 229/123.1, 125.34, 902, 903;
383/66, 210, 211

FIG. 3 is a left side plan view of the microwave popcorn bag with opening handle of FIG. 1;

[56] **References Cited**

FIG. 4 is a right side plan view of the microwave popcorn bag with opening handle of FIG. 1;

U.S. PATENT DOCUMENTS

FIG. 5 is a top plan view of the microwave popcorn bag with opening handle of FIG. 1; and,

- D. 284,943 8/1986 Webinger D9/416
- D. 286,745 11/1986 Forbes, Jr. D9/416
- D. 363,455 10/1995 Shryock D9/431 X
- 3,139,646 7/1964 Vernon 229/123.1 X
- 3,717,533 2/1973 Mayworm et al. 383/210 X

FIG. 6 is a bottom plan view of the microwave popcorn bag with opening handle of FIG. 1.

1 Claim, 3 Drawing Sheets

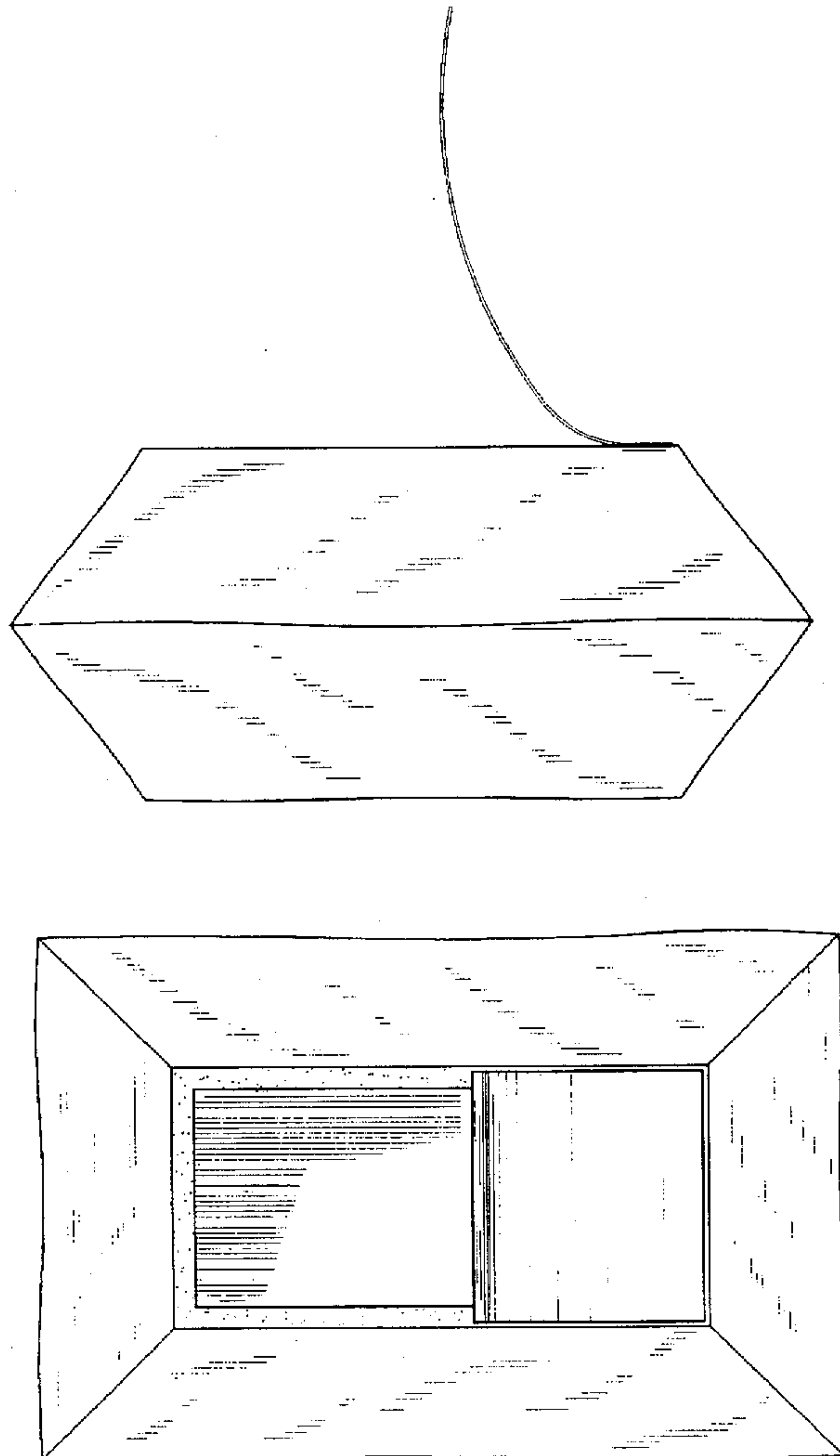


FIG. 1

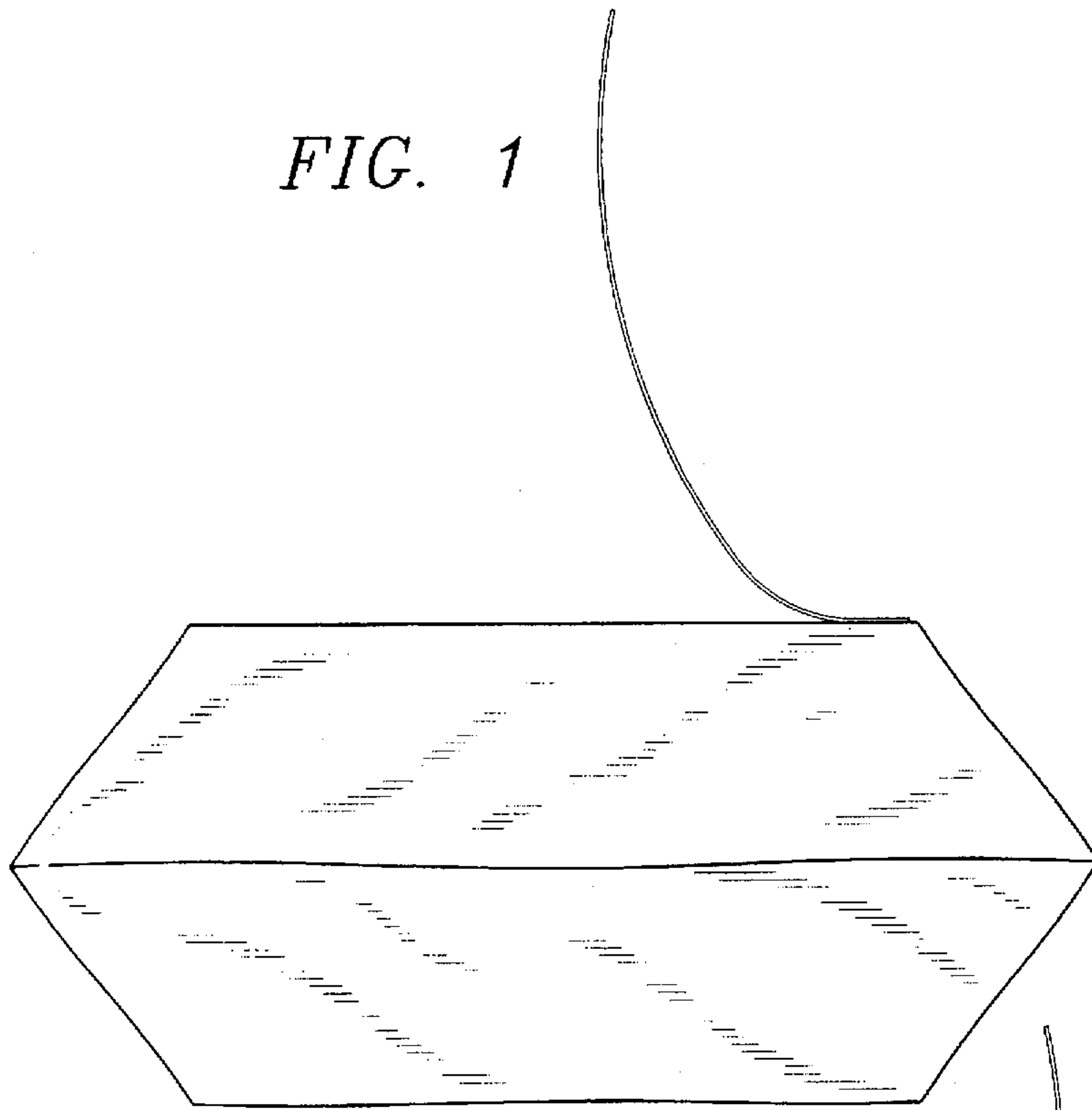


FIG. 2

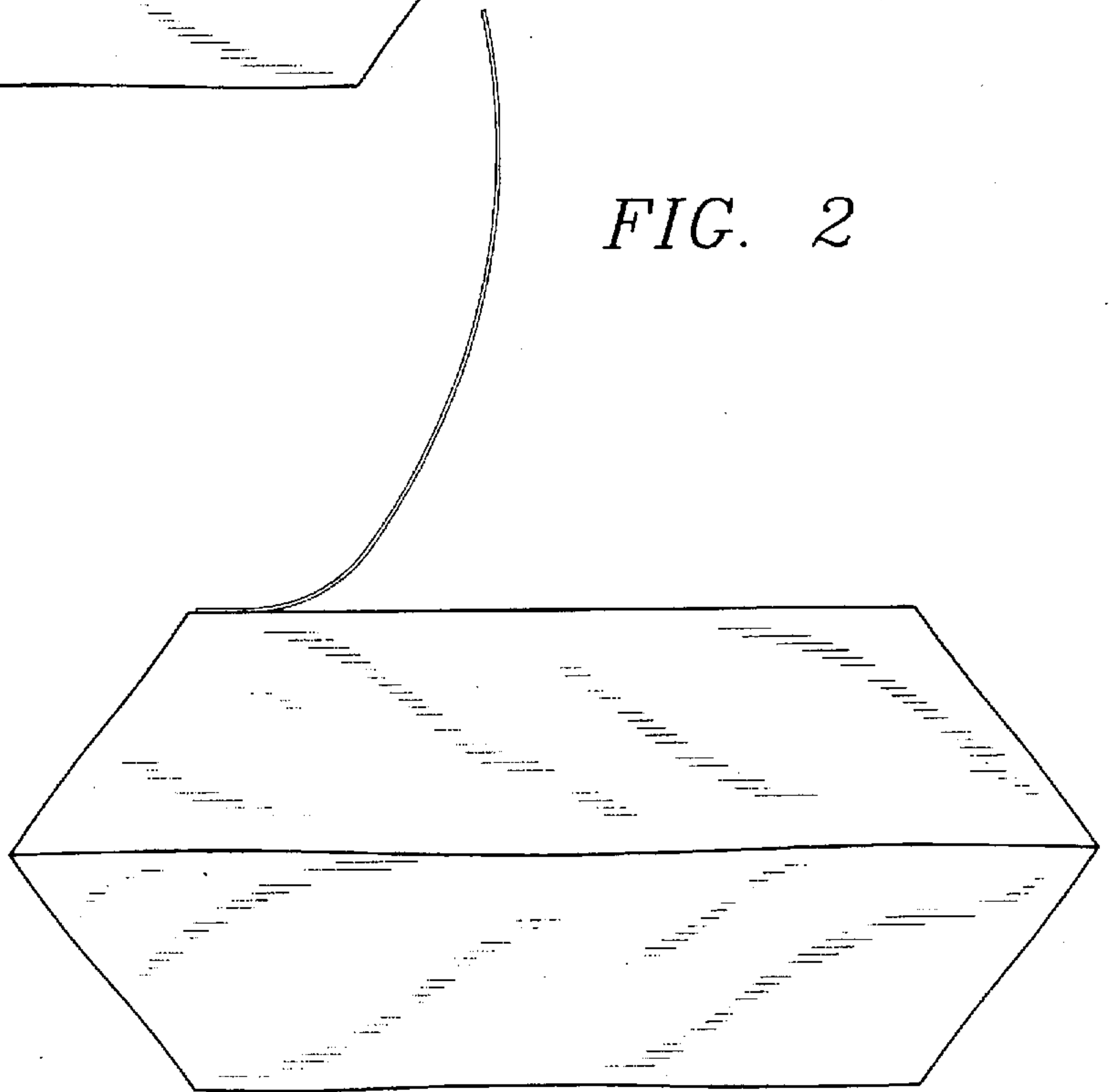


FIG. 3

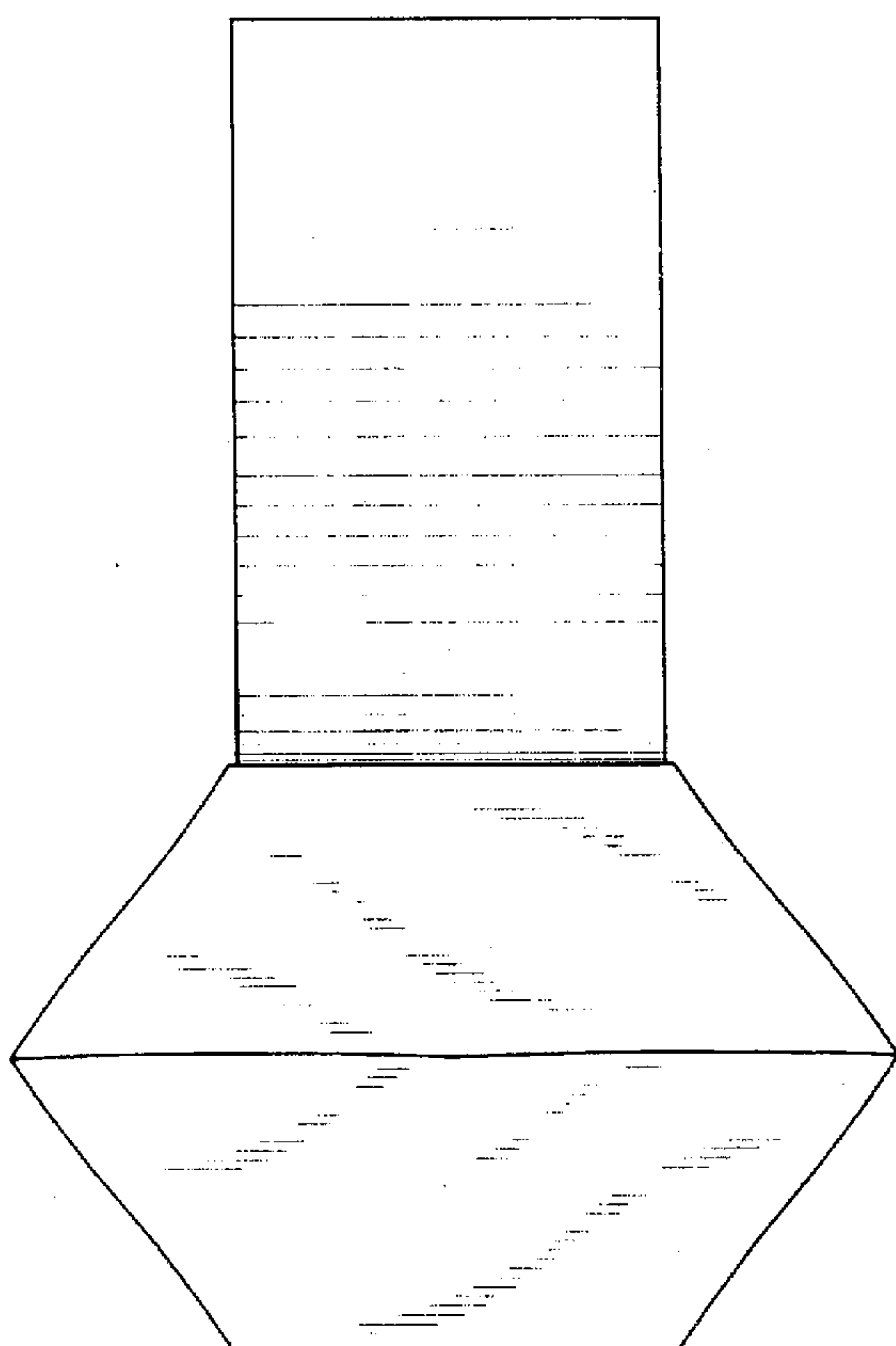


FIG. 4

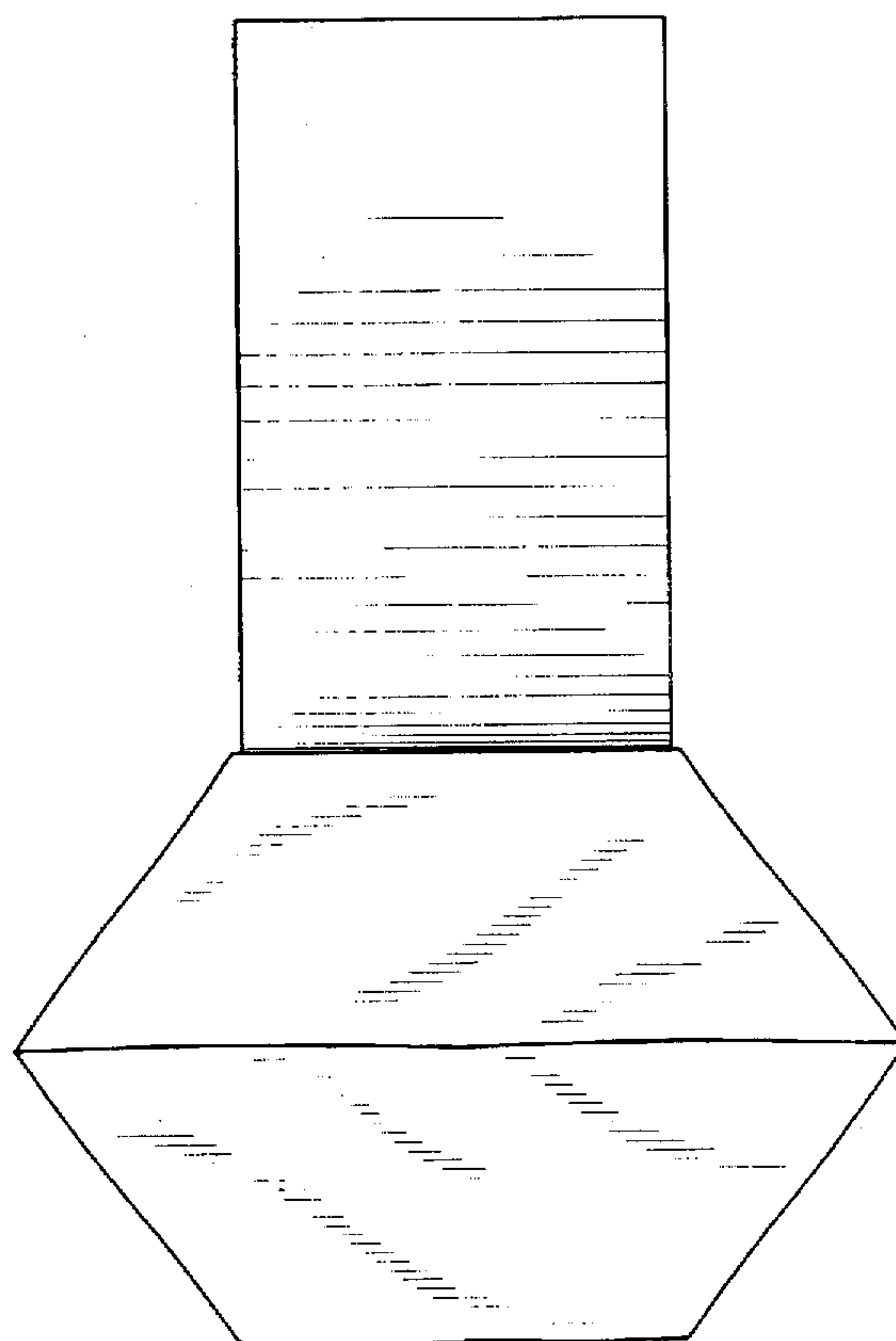


FIG. 5

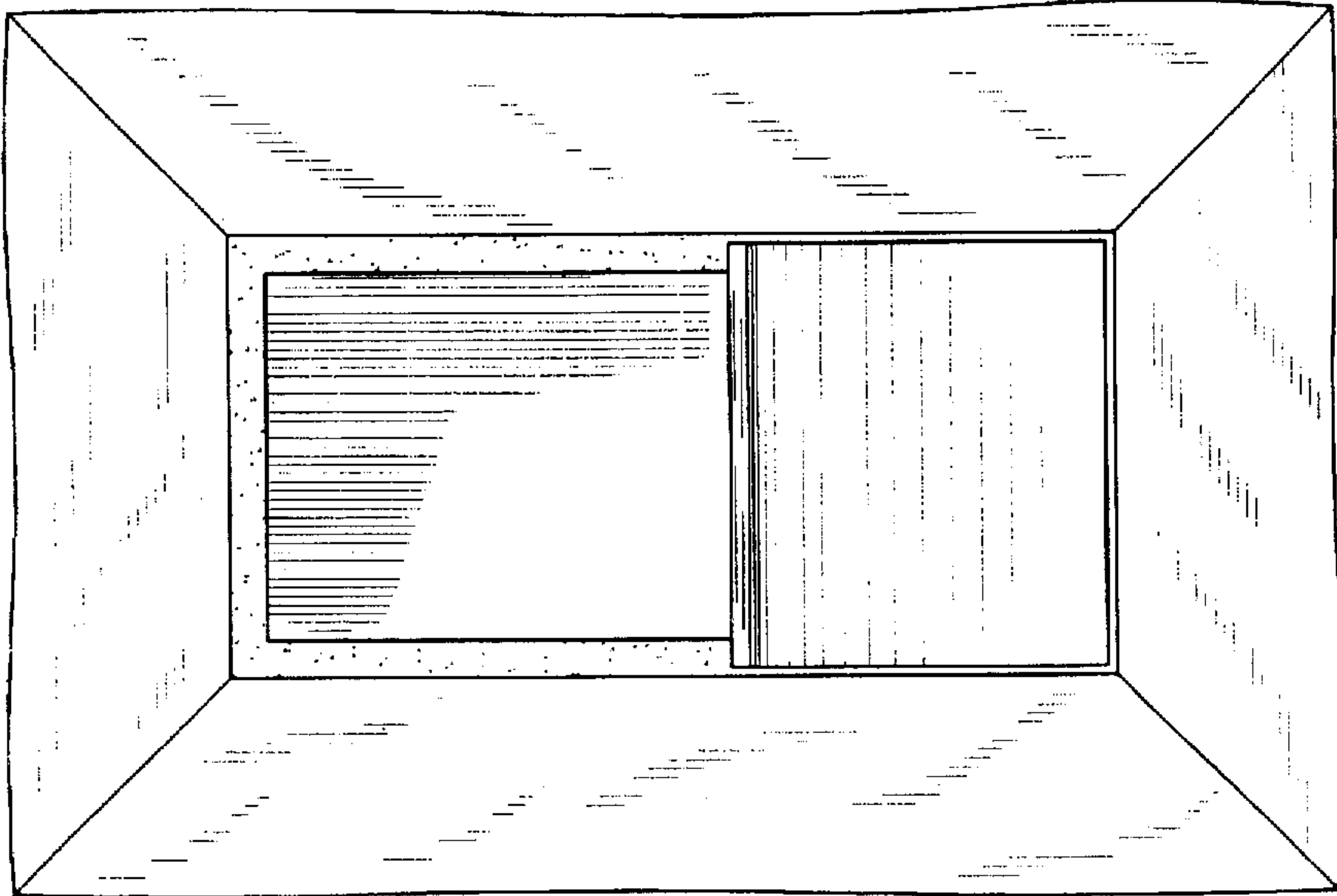


FIG. 6

