



US00D393586S

United States Patent [19] Mowery

[11] Patent Number: Des. 393,586
[45] Date of Patent: **Apr. 21, 1998

[54] **ELECTRIC UTILITY WIRE SPREADER**
[76] Inventor: **Ronald G. Mowery**, 7104 Hollymont Dr., St. Louis, Mo. 63123
[**] Term: **14 Years**
[21] Appl. No.: **65,420**
[22] Filed: **Jan. 17, 1997**
[51] LOC (6) Cl. **08-05**
[52] U.S. Cl. **D8/356**
[58] Field of Search D8/354, 355, 356, D8/357; 174/43, 46, 176

4,071,882 1/1978 Rheder .

Primary Examiner—Susan I. Lucas
Assistant Examiner—Cynthia E. Ramirez
Attorney, Agent, or Firm—Grace J. Fishel

[57] CLAIM

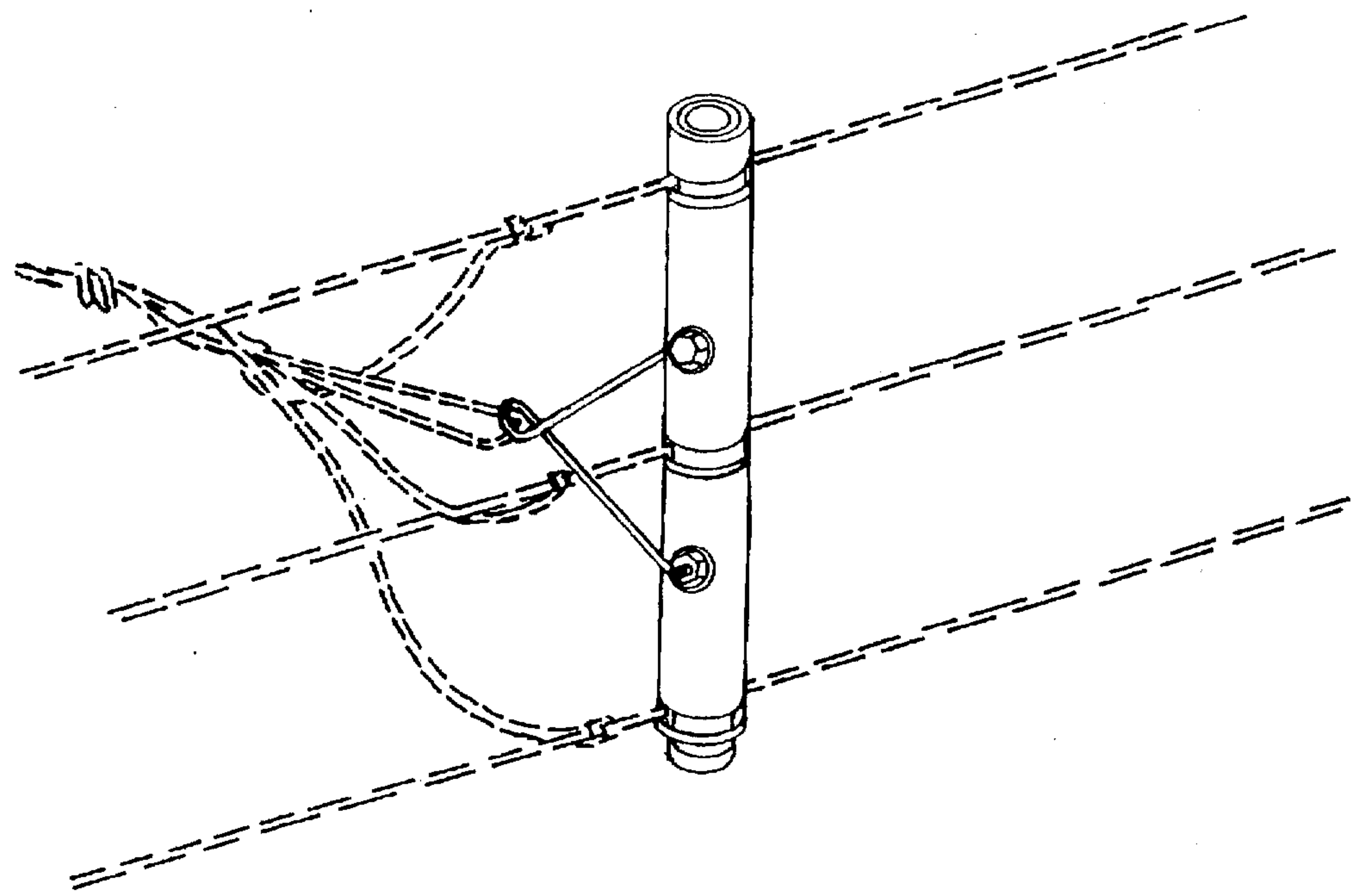
The ornamental design for an electric utility wire spreader, as shown and described.

DESCRIPTION

FIG. 1 is a perspective view of an electric utility wire spreader showing my new design in use;
FIG. 2 is a front view thereof;
FIG. 3 is a right side elevation as viewed in FIG. 1;
FIG. 4 is a left side elevation view thereof;
FIG. 5 is a rear view thereof;
FIG. 6 is a top view thereof; and,
FIG. 7 is a bottom view thereof.
The electric utility wires shown in broken lines in FIG. 1 denote the nature and environmental use of the design and are not part of the design.

[56] **References Cited**
U.S. PATENT DOCUMENTS
2,705,737 4/1955 Brueckmann .
2,783,296 2/1957 Hendrix .
2,825,751 3/1958 Flower .
3,066,182 11/1962 Flower 174/146
3,073,890 1/1963 Chewning et al. 174/146
3,146,994 9/1964 Sherman .
3,194,874 7/1965 Husted 174/146

1 Claim, 2 Drawing Sheets



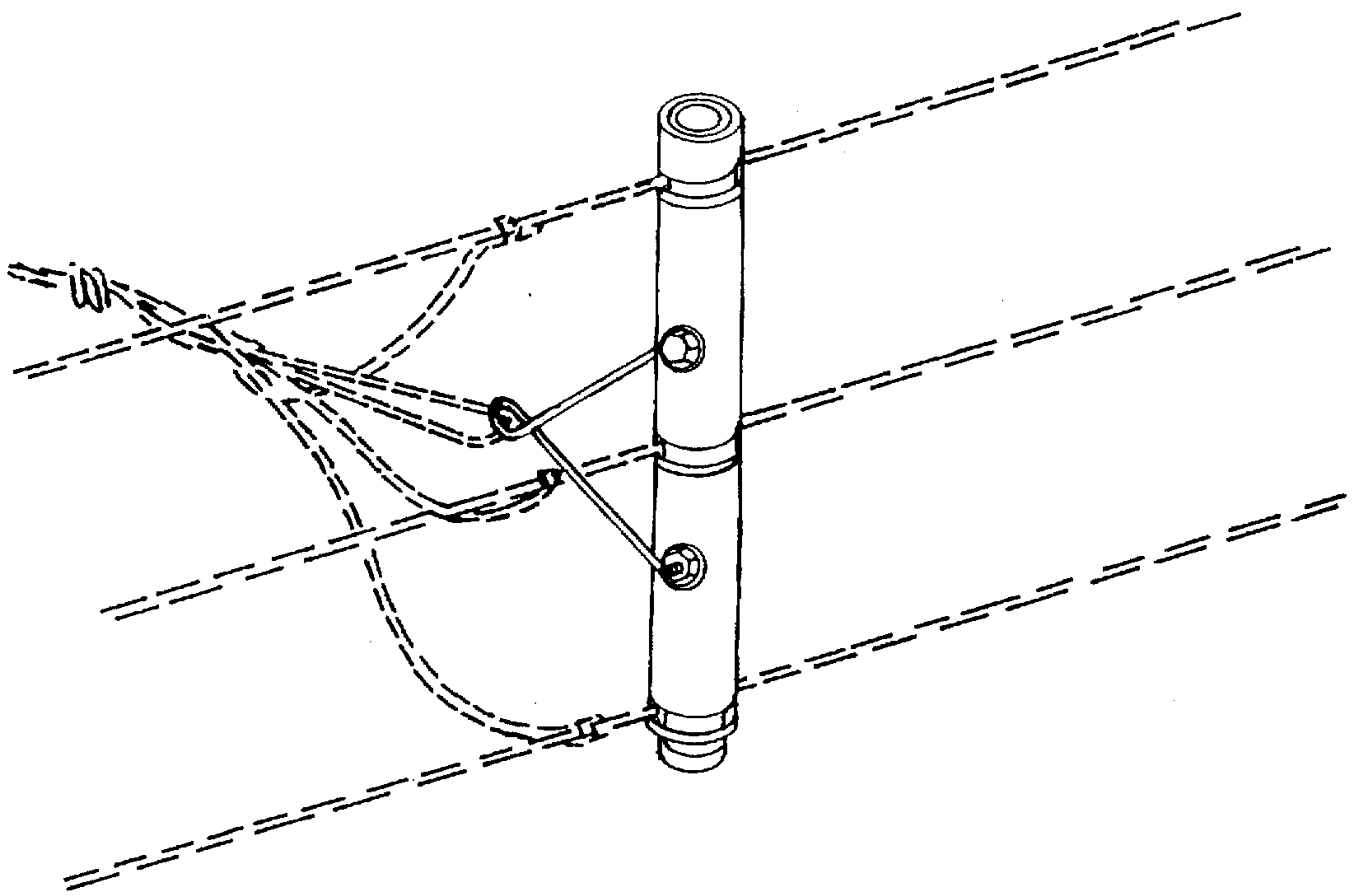


Fig 1

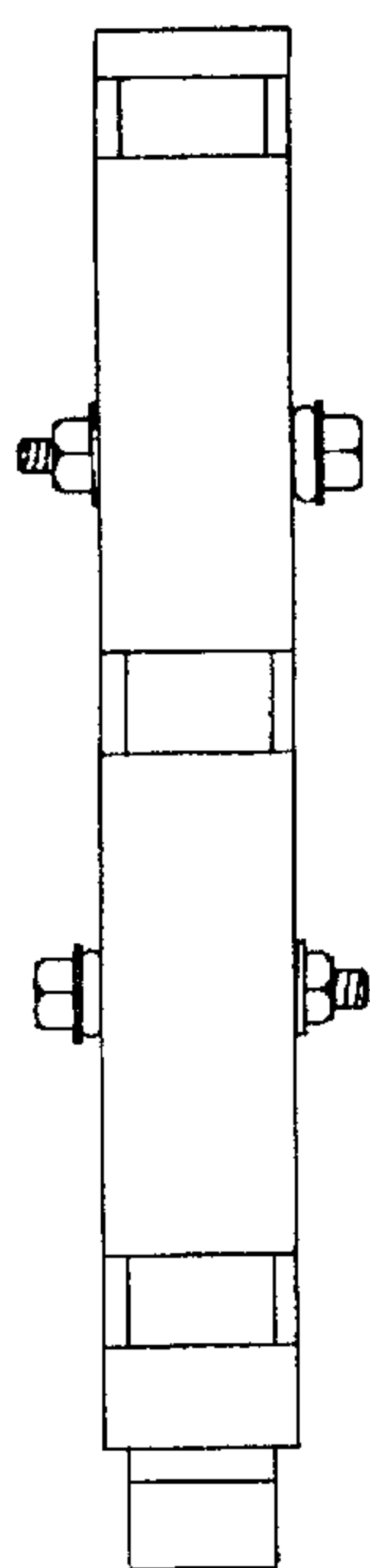


Fig 2

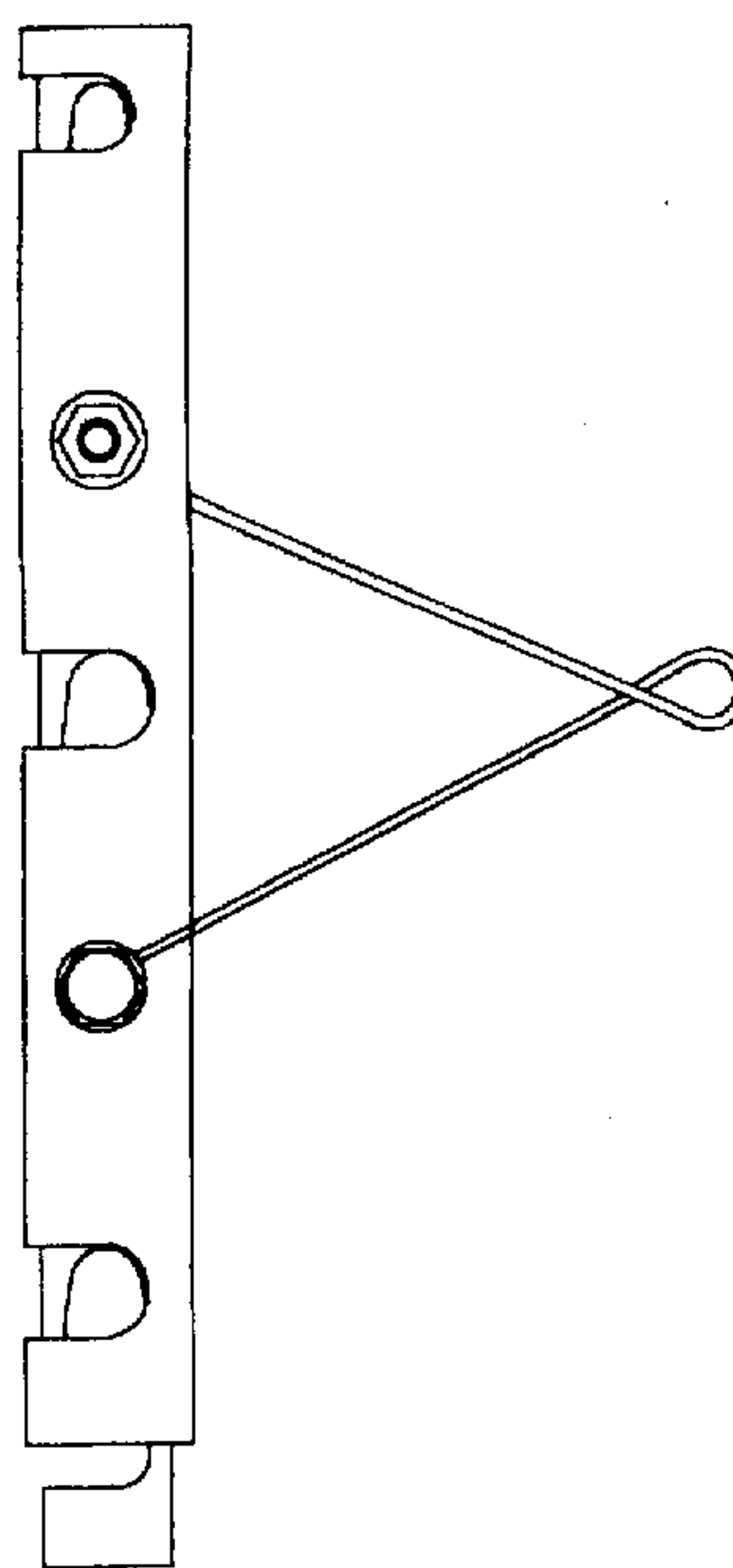


Fig 3

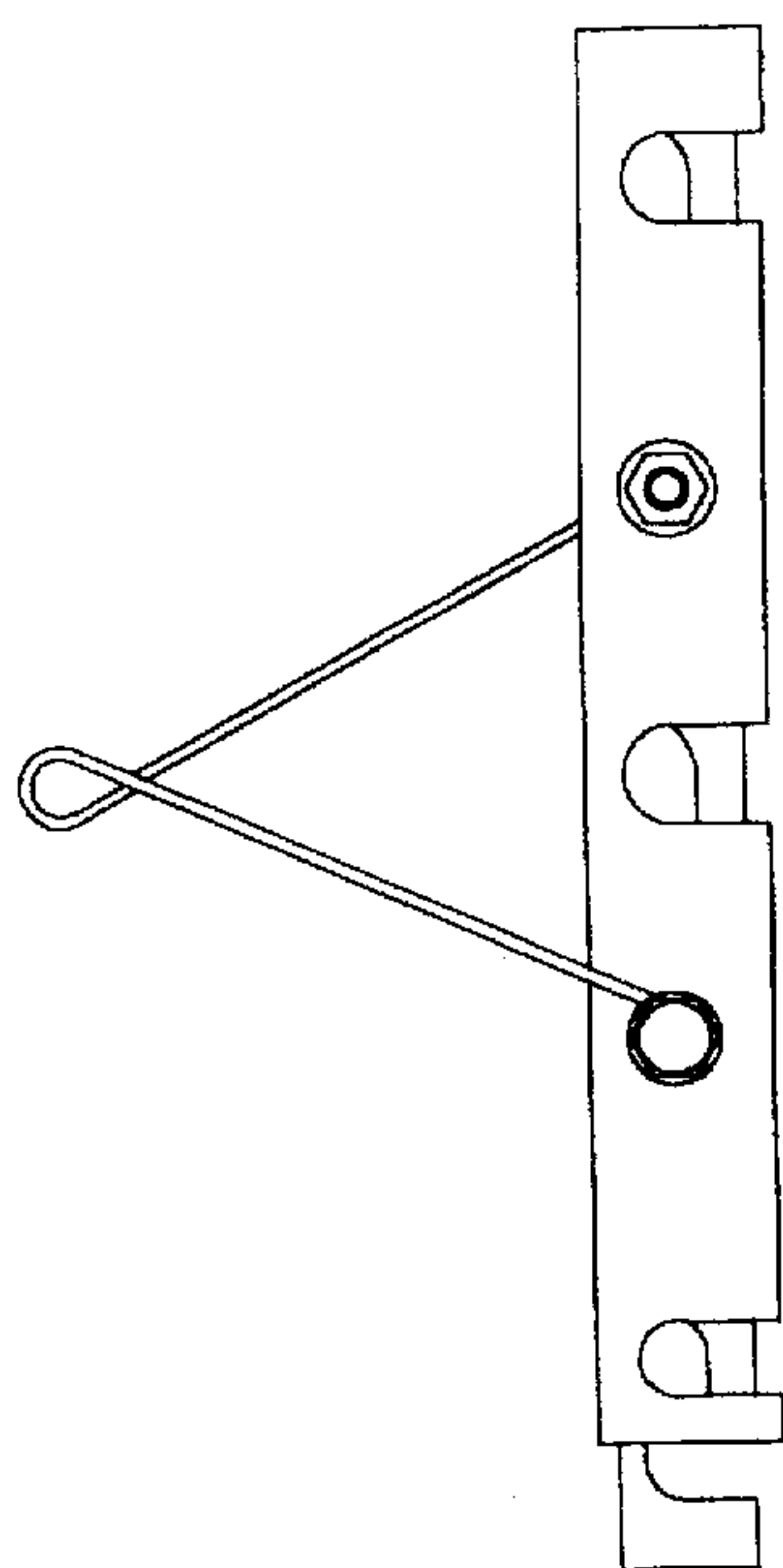


Fig 4

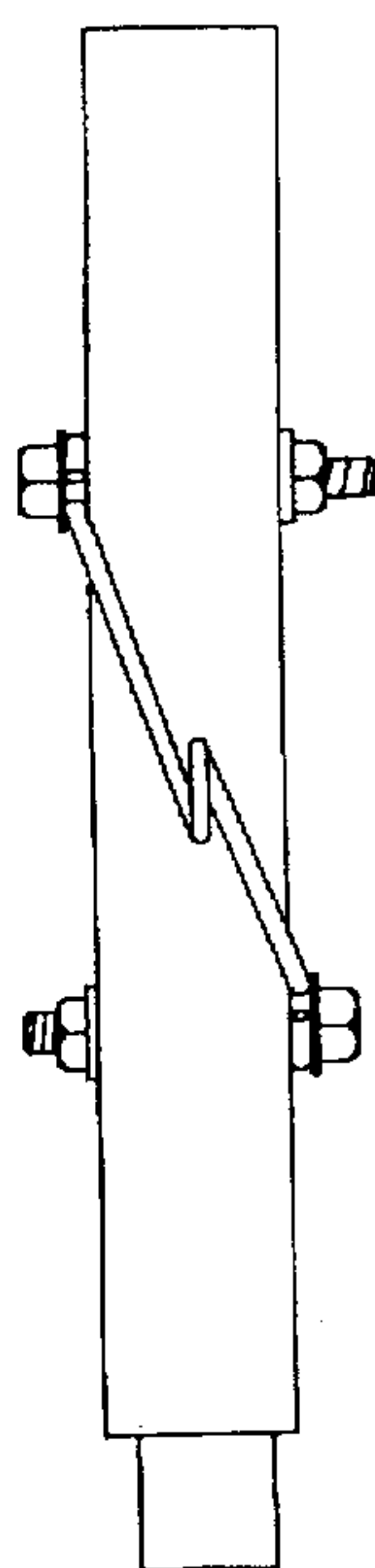


Fig 5

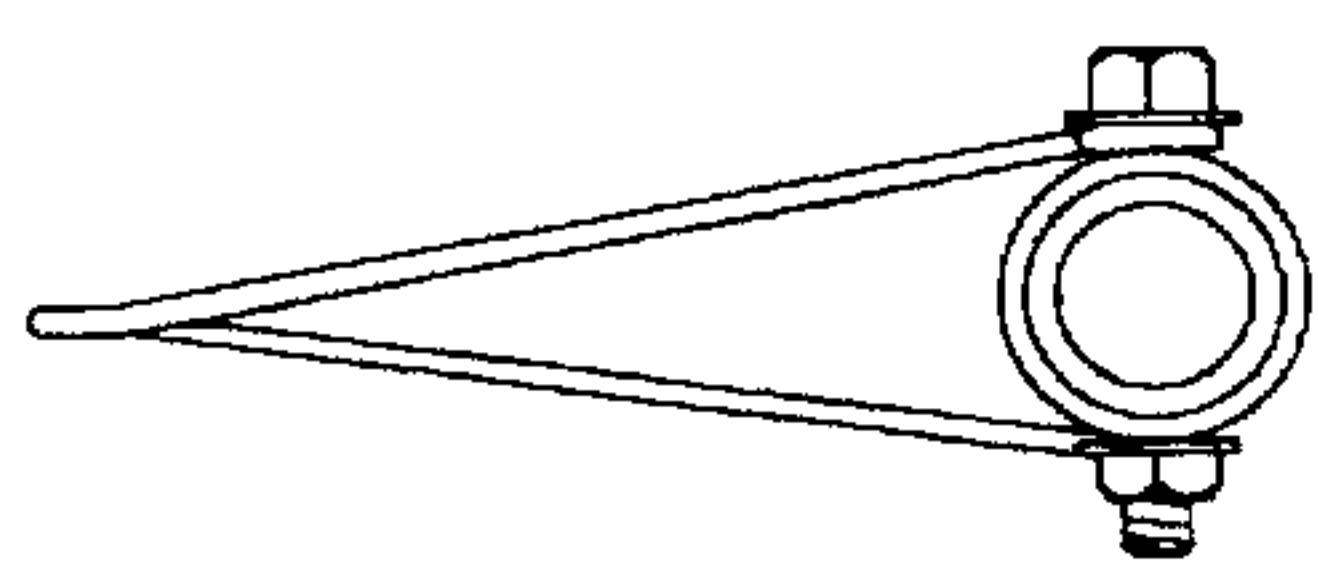


Fig 6

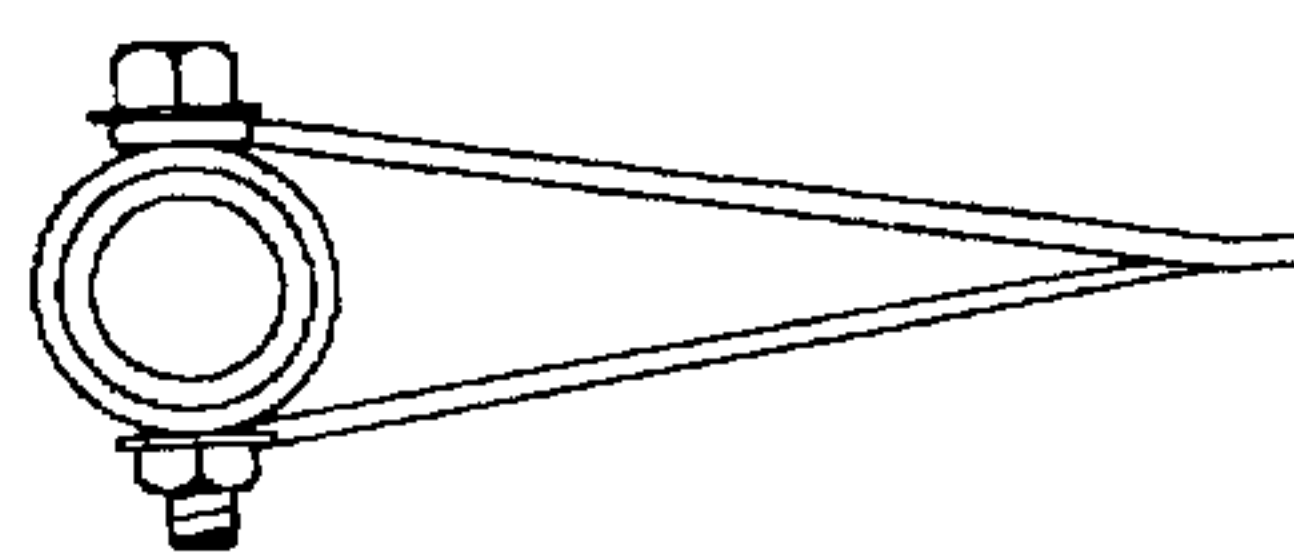


Fig 7