



US00D393583S

United States Patent [19]

Nagano

[11] Patent Number: **Des. 393,583**

[45] Date of Patent: ****Apr. 21, 1998**

- [54] **HANDLE GRIP FOR A BICYCLE**
- [75] Inventor: **Toshiyuki Nagano**, Takarazuka, Japan
- [73] Assignee: **Cateye Co., Ltd.**, Osaka, Japan
- [**] Term: **14 Years**
- [21] Appl. No.: **58,117**
- [22] Filed: **Aug. 8, 1996**
- [30] **Foreign Application Priority Data**
Feb. 16, 1996 [JP] Japan 8-3955
- [51] **LOC (6) Cl.** **08-06**
- [52] **U.S. Cl.** **D8/303**
- [58] **Field of Search** D8/303, 300; 74/551.1,
74/551.8, 551.9; 16/110 R, 110.5, 111 R,
DIG. 12

- D. 352,442 11/1994 Lee-Chang D8/303
- D. 372,656 8/1996 Nagano D8/303
- 4,488,460 12/1984 Ballone et al. .

Primary Examiner—Melody N. Brown
Attorney, Agent, or Firm—Olson & Hierl, Ltd.

[57] CLAIM

The ornamental design for a handle grip for a bicycle, as shown and described.

DESCRIPTION

FIG. 1 is a front view of a handle grip for a bicycle showing my new design;
 FIG. 2 is a rear view thereof;
 FIG. 3 is a top plan view thereof;
 FIG. 4 is a bottom plan view thereof;
 FIG. 5 is a left side view thereof;
 FIG. 6 is a right side view thereof;
 FIG. 7 is a cross sectional view thereof taken along with line A—A in FIG. 6;
 FIG. 8 is a perspective view thereof; and,
 FIG. 9 is a referential cross-sectional view thereof showing the grip in use, the broken lines being for illustrative purposes only and form no part of the claimed design.

[56] References Cited

U.S. PATENT DOCUMENTS

- D. 241,806 10/1976 Johnson D8/303
- D. 248,616 7/1978 Johnson D8/303
- D. 305,401 1/1990 Winston D8/303
- D. 331,183 11/1992 Henson D8/303
- D. 332,563 1/1993 Lurkis D8/303

1 Claim, 3 Drawing Sheets

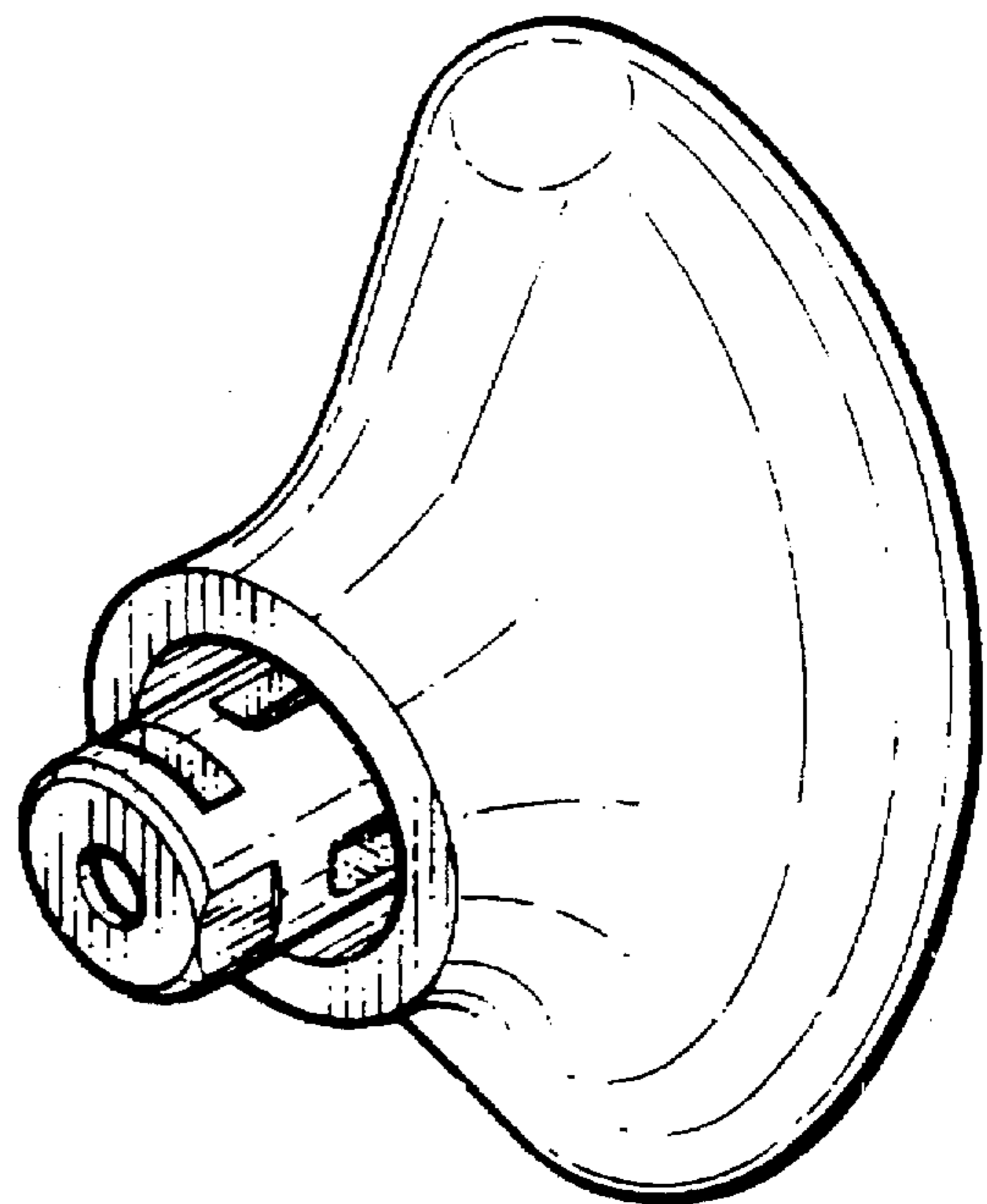
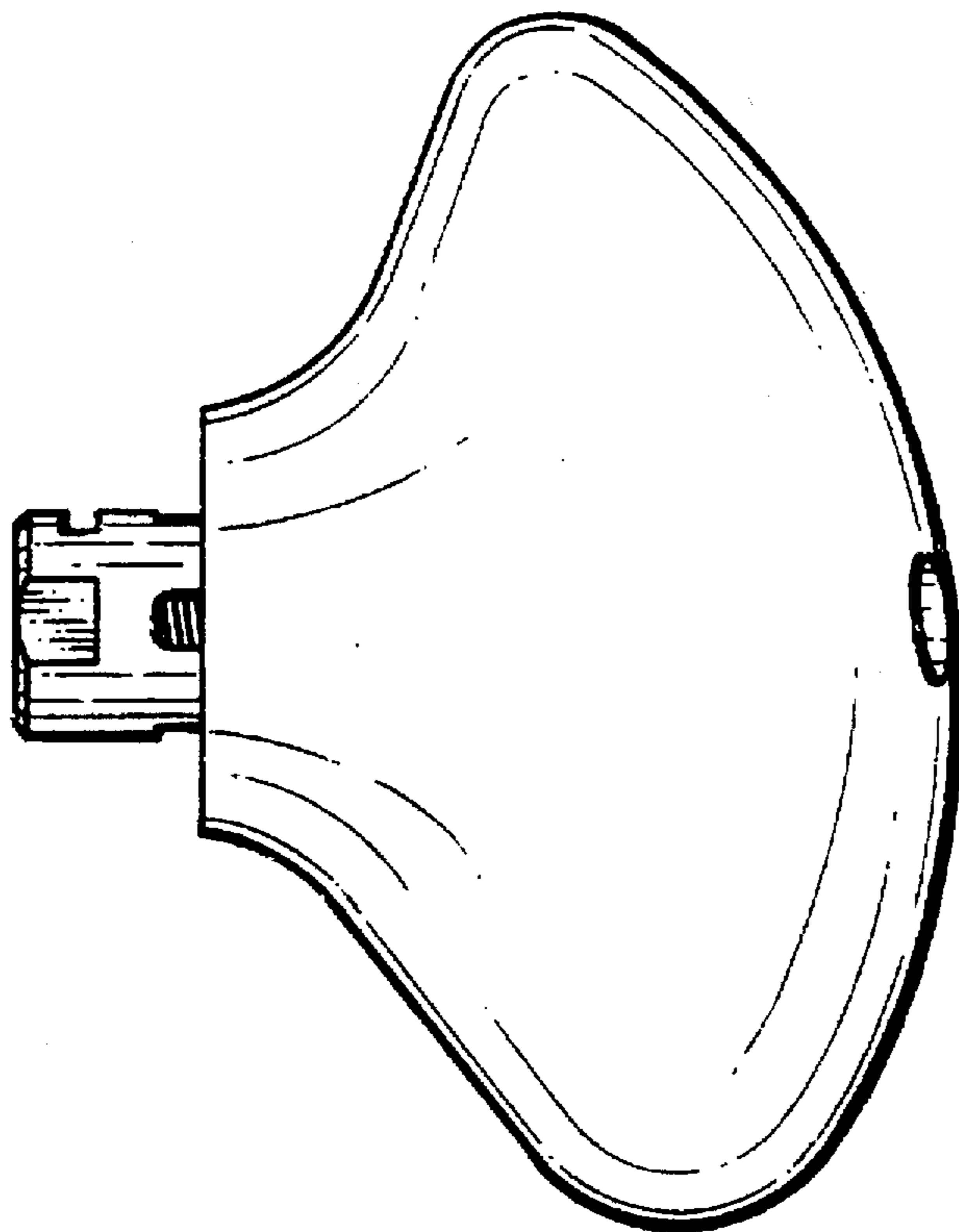


FIG. 1

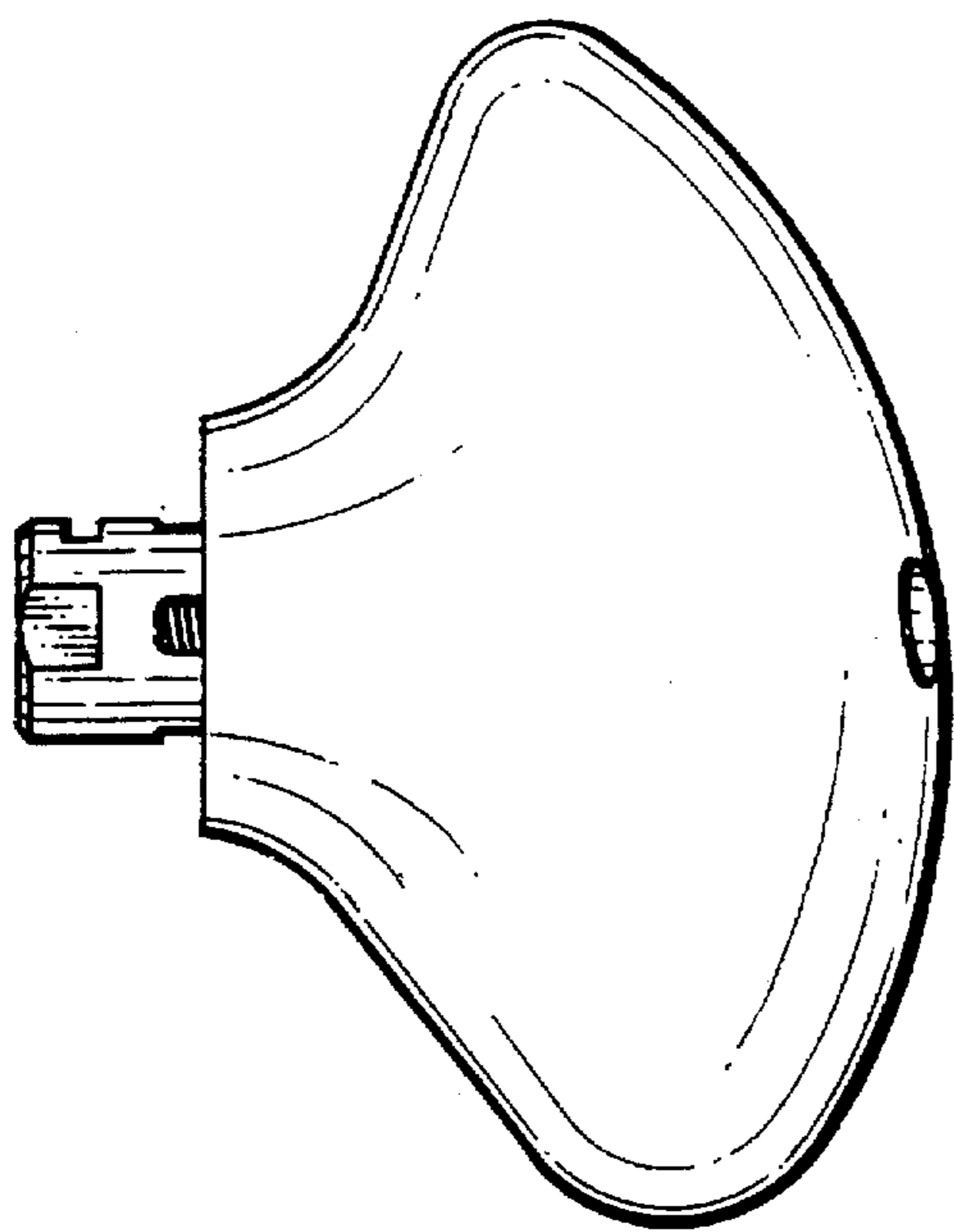


FIG. 2

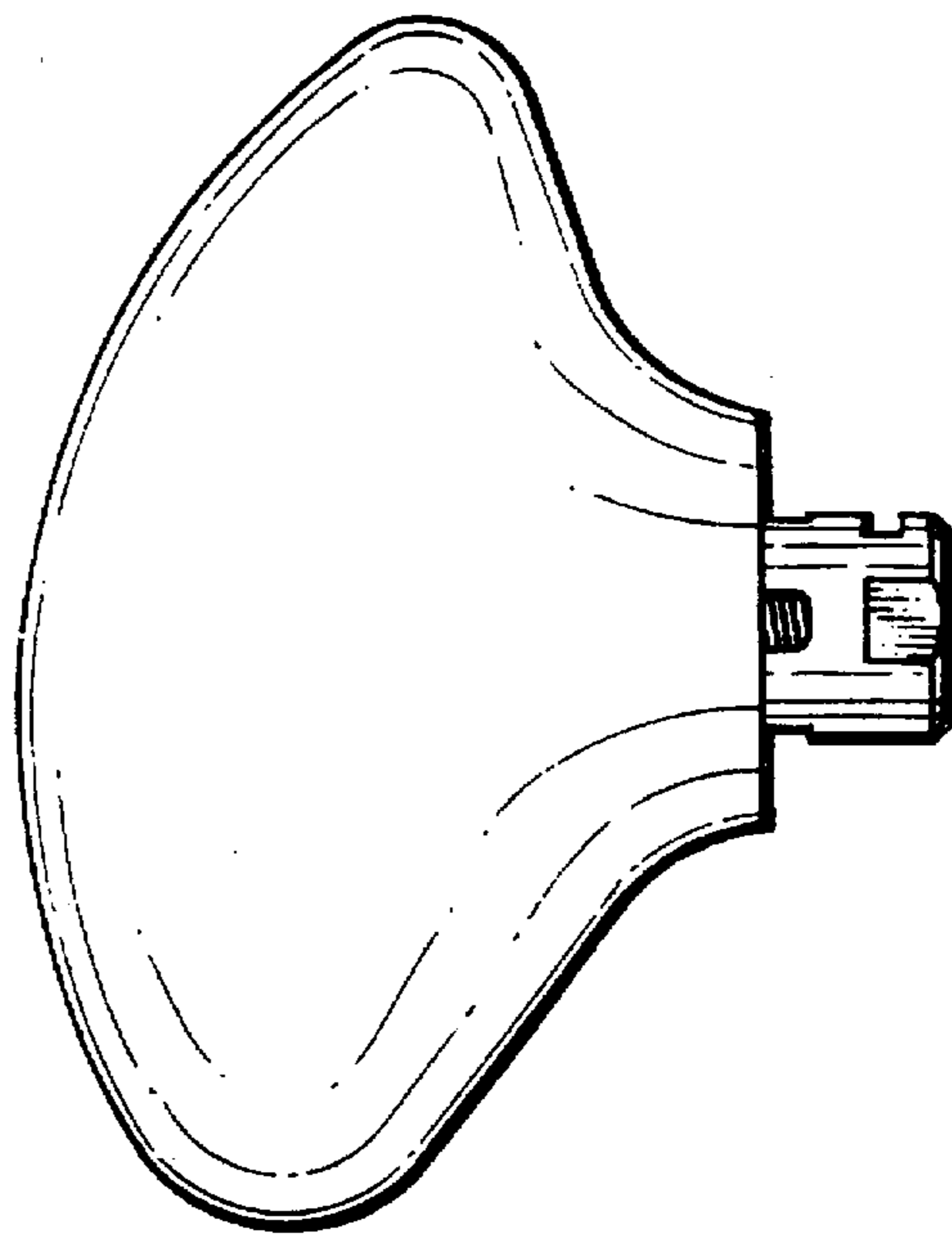


FIG. 3

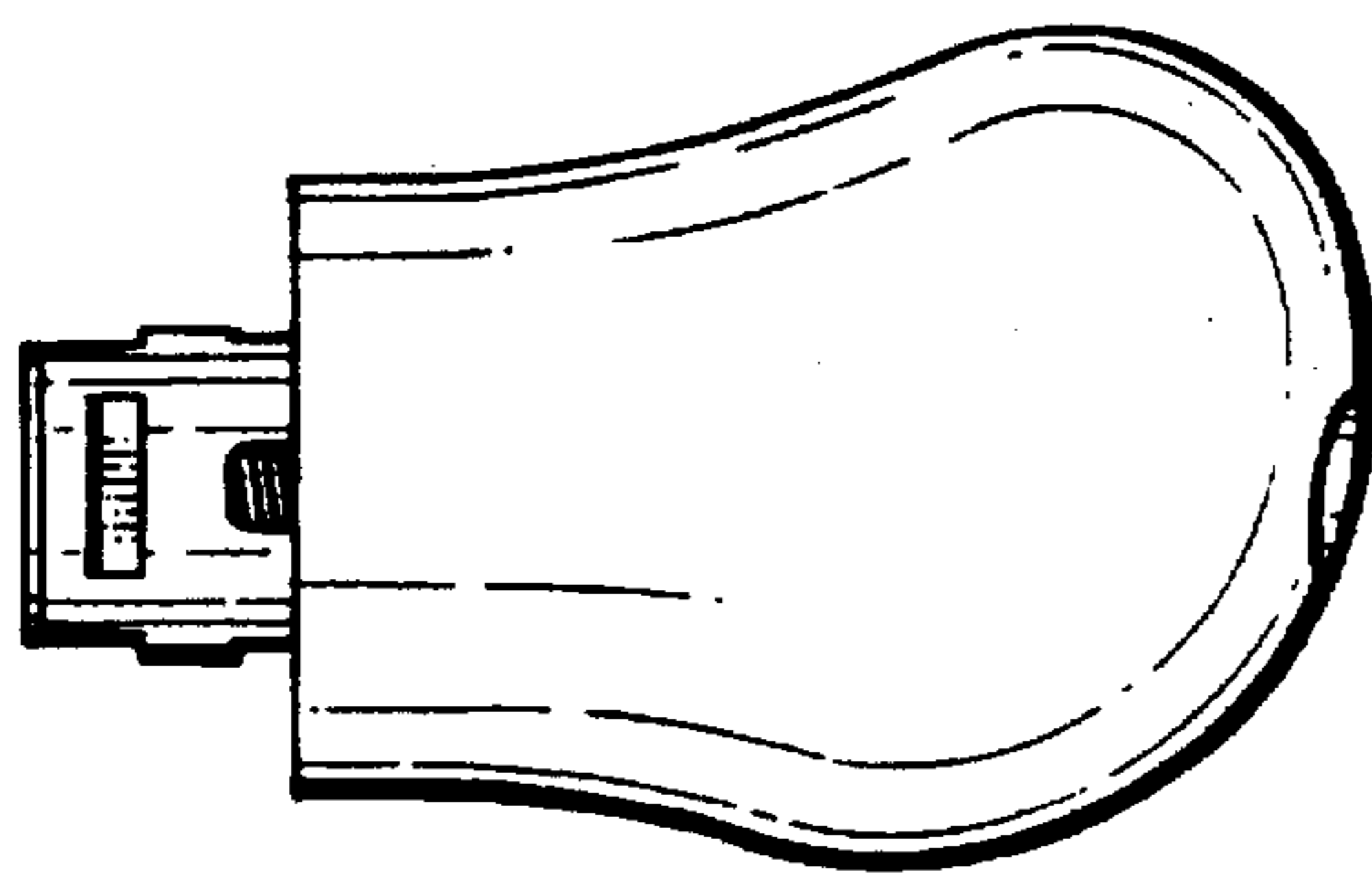


FIG. 4

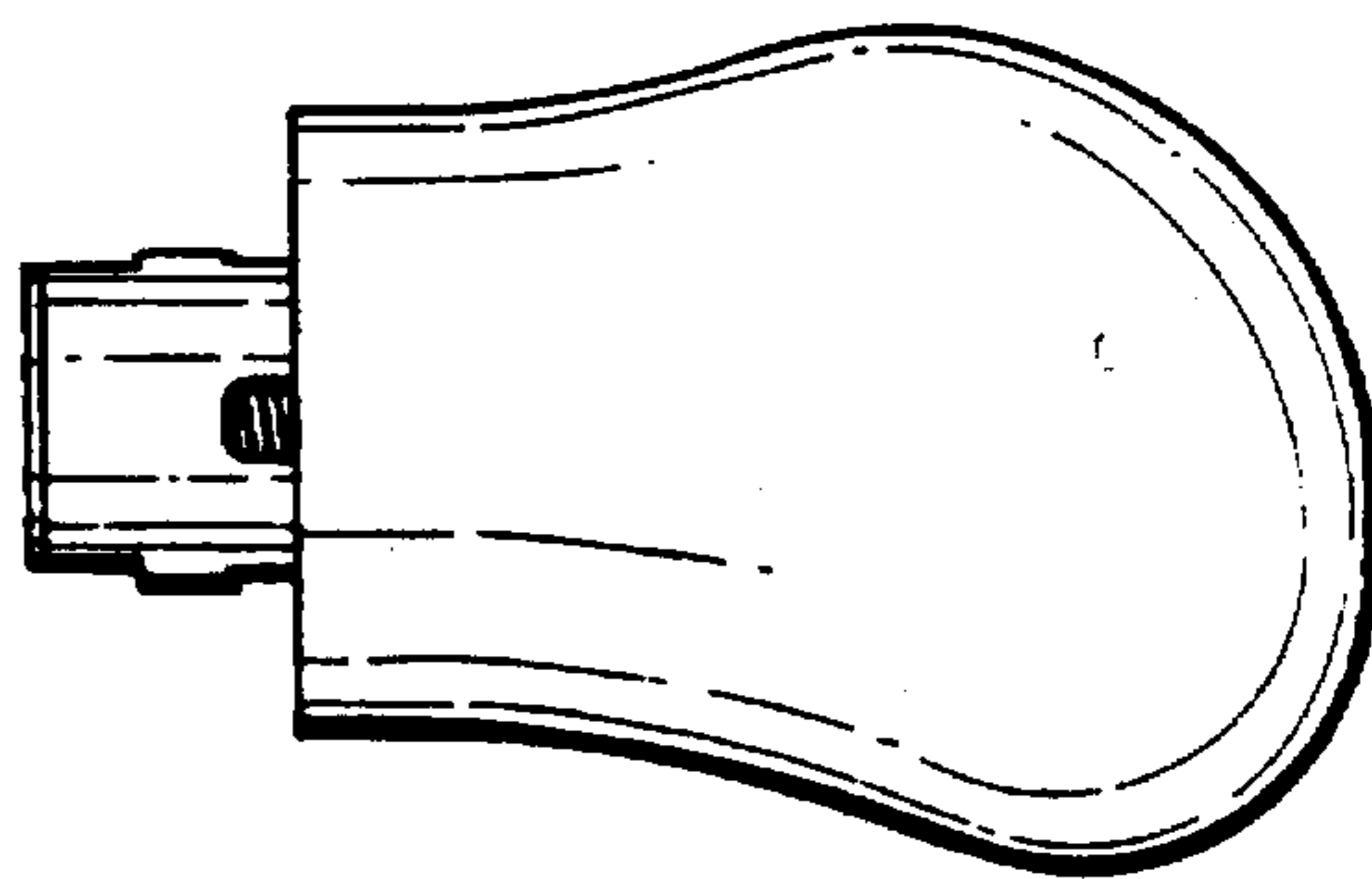


FIG. 5

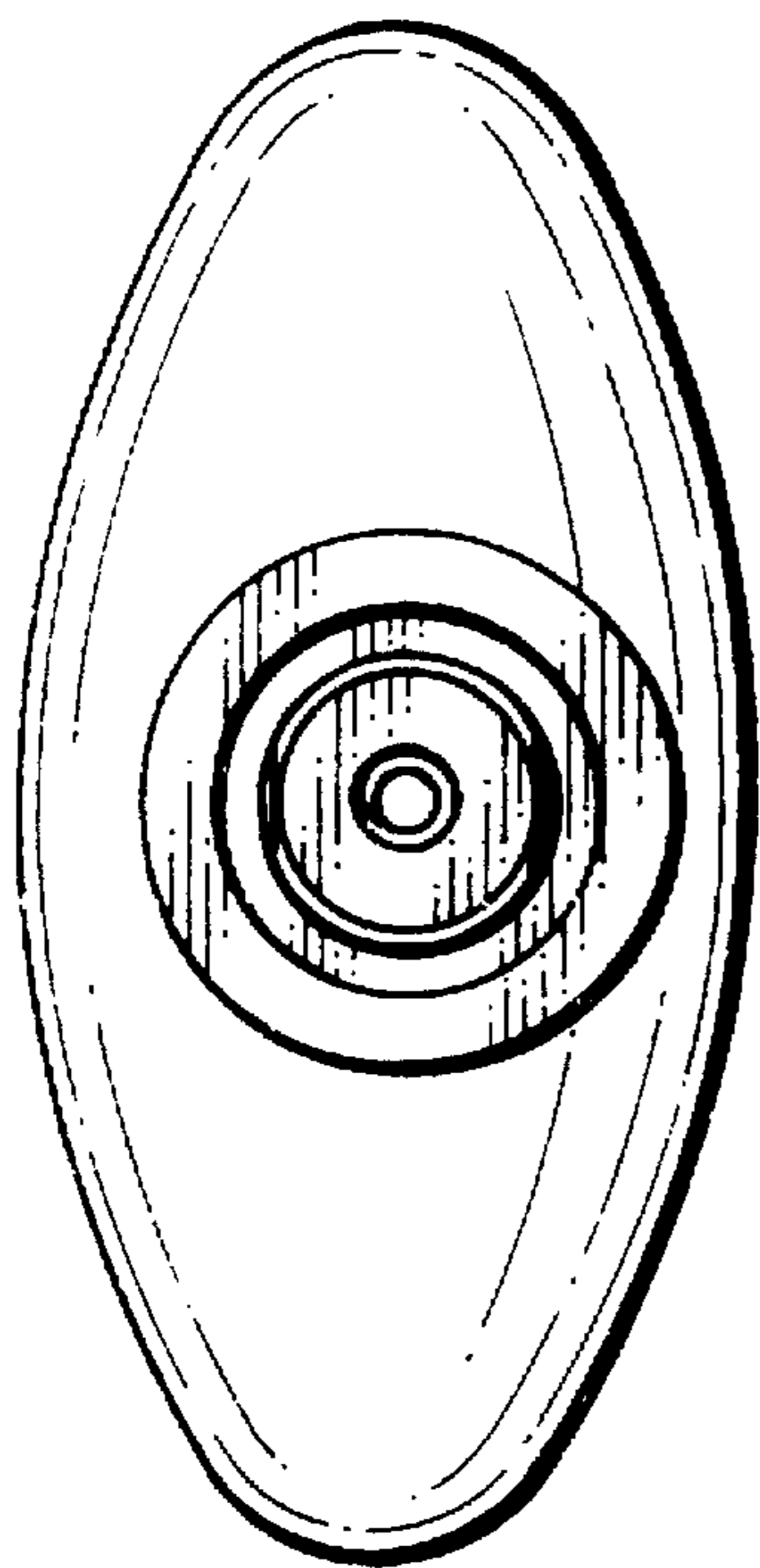


FIG. 6

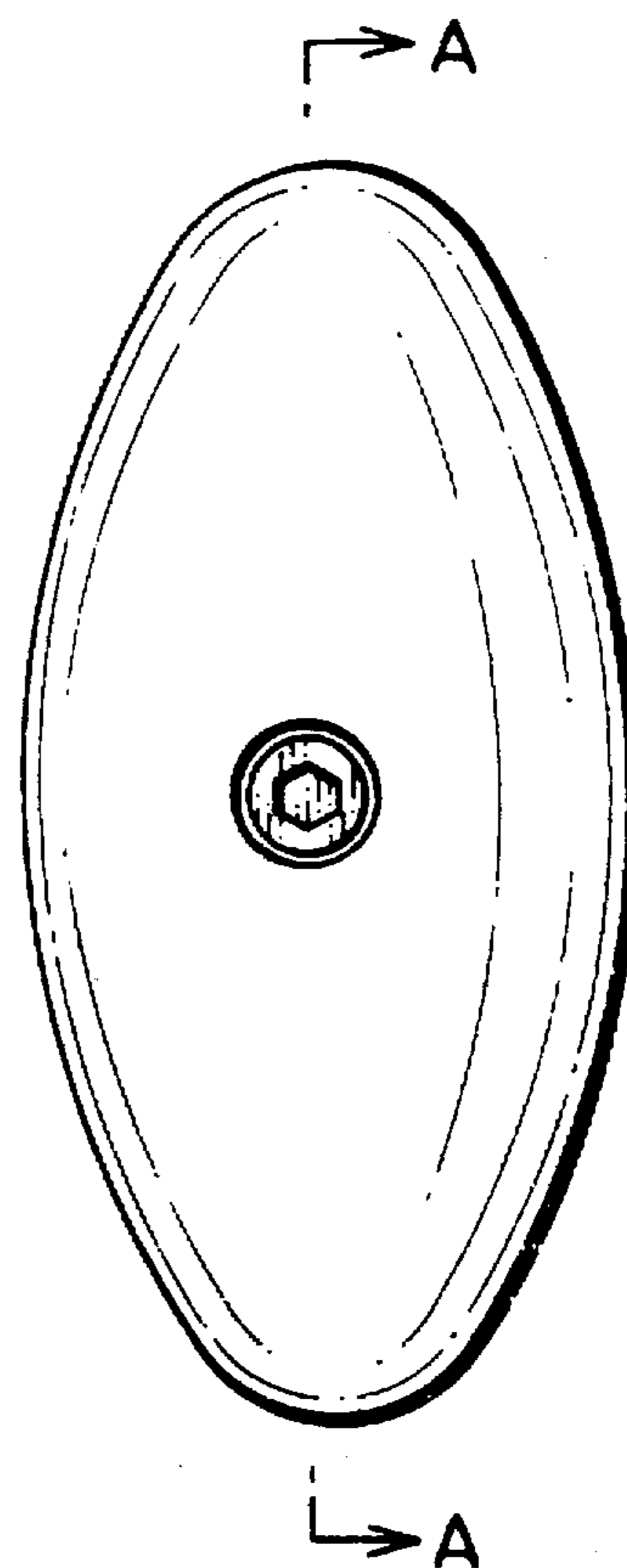


FIG. 7

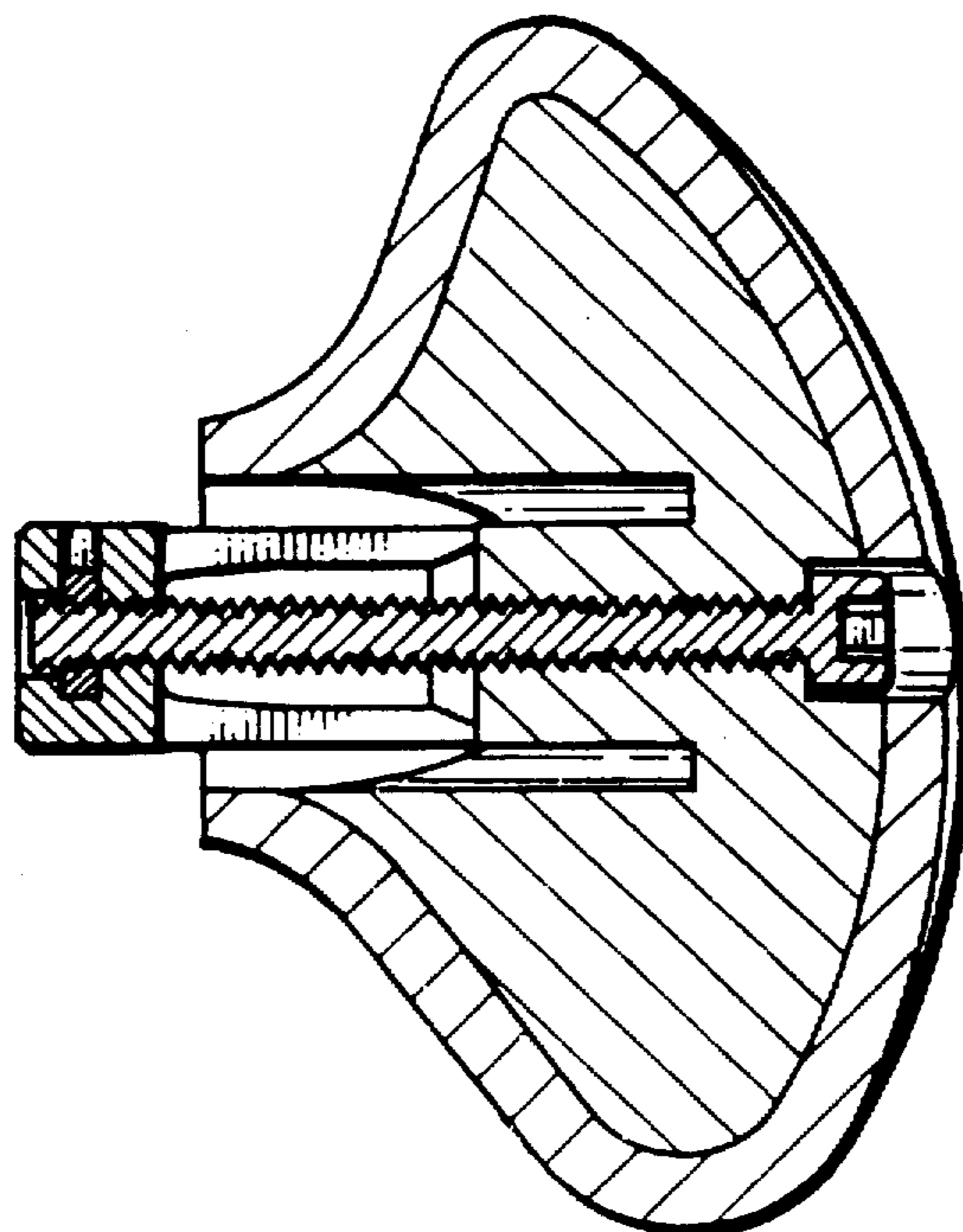


FIG. 8

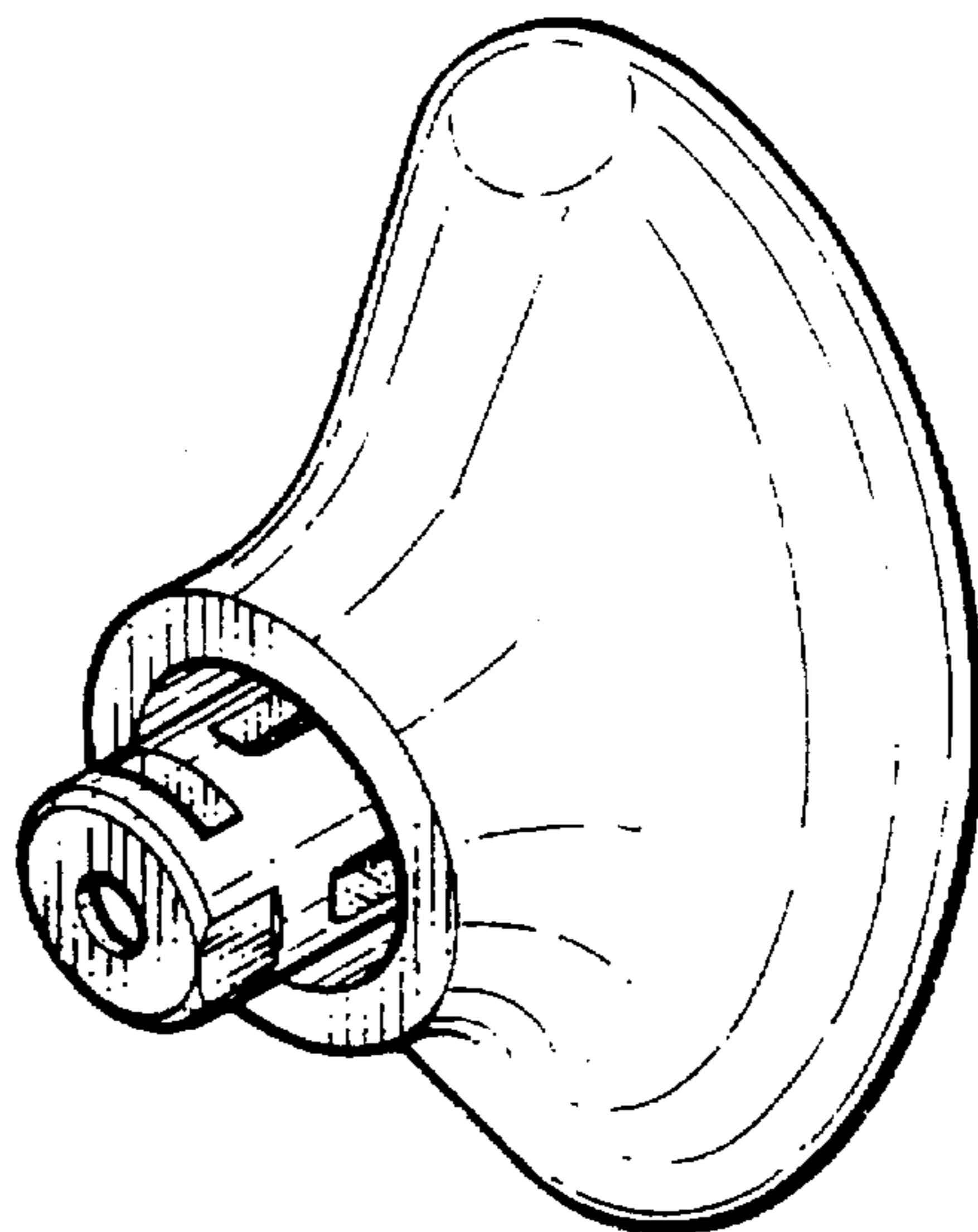
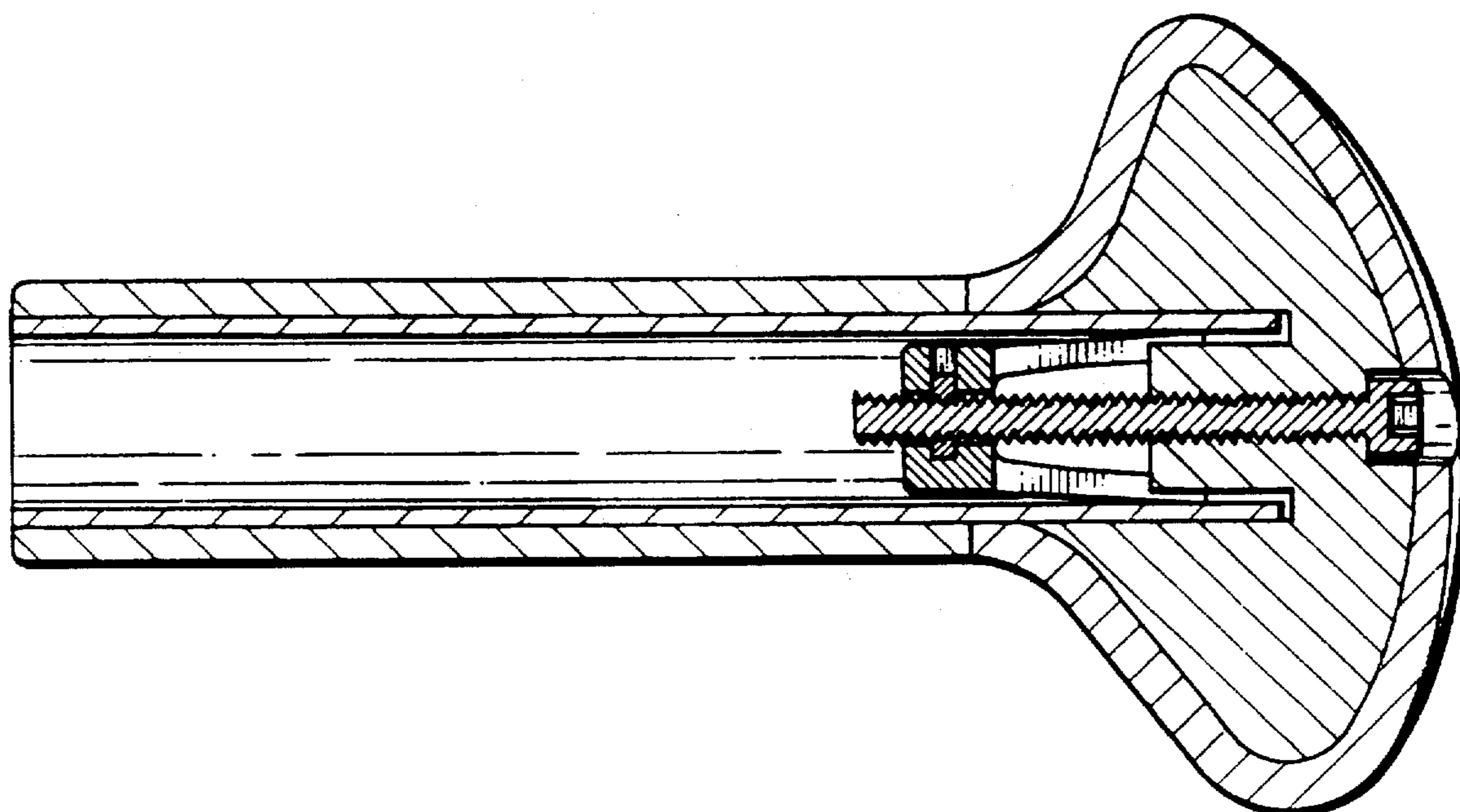


FIG. 9



UNITED STATES PATENT AND TRADEMARK OFFICE
CERTIFICATE OF CORRECTION

PATENT NO : Des. 393,583
DATED : April 21, 1998
INVENTOR(S): Toshiyuki Nagano

It is certified that error appears in the above-identified patent and that said Letters Patent is hereby corrected as shown below:

In the description of FIG. 1, "hadle" should read --handle--; and
In the description of FIG. 7, "sectrional" should read --sectional--.

Signed and Sealed this
Eleventh Day of August 1998



Attest:

BRUCE LEHMAN

Attesting Officer

Commissioner of Patents and Trademarks