



US00D393581S

United States Patent [19]

McCallops et al.

[11] Patent Number: **Des. 393,581**

[45] Date of Patent: ****Apr. 21, 1998**

[54] **ELECTRIC POWER DRIVEN WRENCH**

[75] Inventors: **John A. McCallops**, Sayre; **Donald R. Warner**, Columbia Cross Roads, both of Pa.; **Paul K. Metaxatos**, Collinsville; **Robert H. Bruno**, Avon, both of Conn.

[73] Assignee: **Ingersoll-Rand Company**, Woodcliff Lake, N.J.

[**] Term: **14 Years**

[21] Appl. No.: **69,296**

[22] Filed: **Mar. 25, 1997**

[51] LOC (6) Cl. **08-03**

[52] U.S. Cl. **D8/68**

[58] Field of Search D8/61, 68, 69;
81/57.13, 57.14, 57.29, 57.39, 57.46, 63,
177.85; 403/365

[56] **References Cited**

U.S. PATENT DOCUMENTS

D. 328,411 8/1992 Cavedo D8/68

D. 335,073 4/1993 Anthony et al. D8/61 X
D. 380,952 7/1997 Kim D8/68
D. 382,457 8/1997 Ghode et al. D8/68
5,412,546 5/1995 Huang 81/63 X

Primary Examiner—Antoine Duval Davis
Attorney, Agent, or Firm—Walter C. Vliet

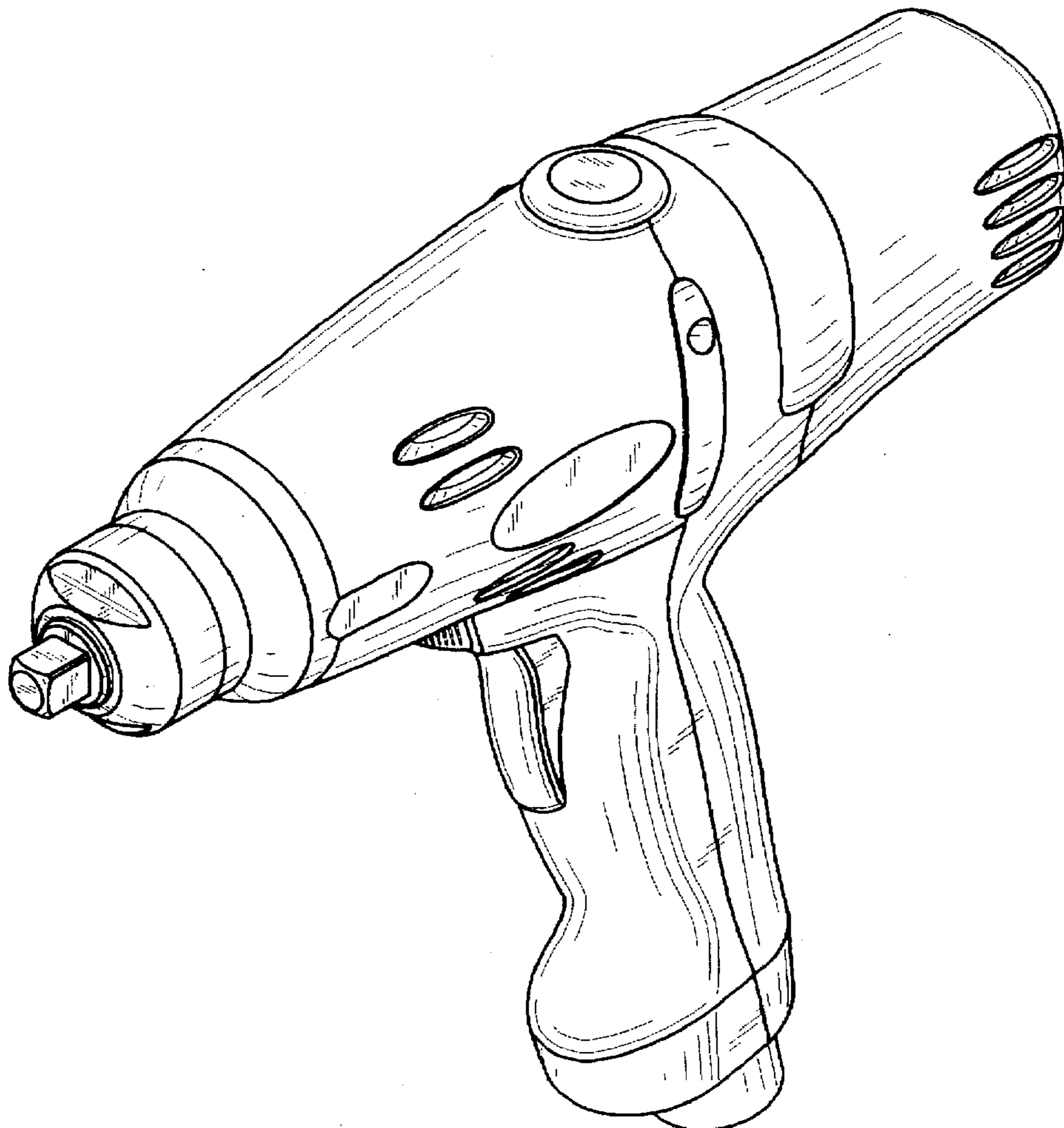
[57] **CLAIM**

The ornamental design for an electric power driven wrench, as shown and described.

DESCRIPTION

FIG. 1 is a front/top/left side perspective view of an electric power driven wrench showing our design;
FIG. 2 is a top view of FIG. 1;
FIG. 3 is a left side view of FIG. 1;
FIG. 4 is a bottom view of FIG. 1;
FIG. 5 is a right side view of FIG. 1;
FIG. 6 is a front view of FIG. 1; and,
FIG. 7 is a rear view of FIG. 1.

1 Claim, 4 Drawing Sheets



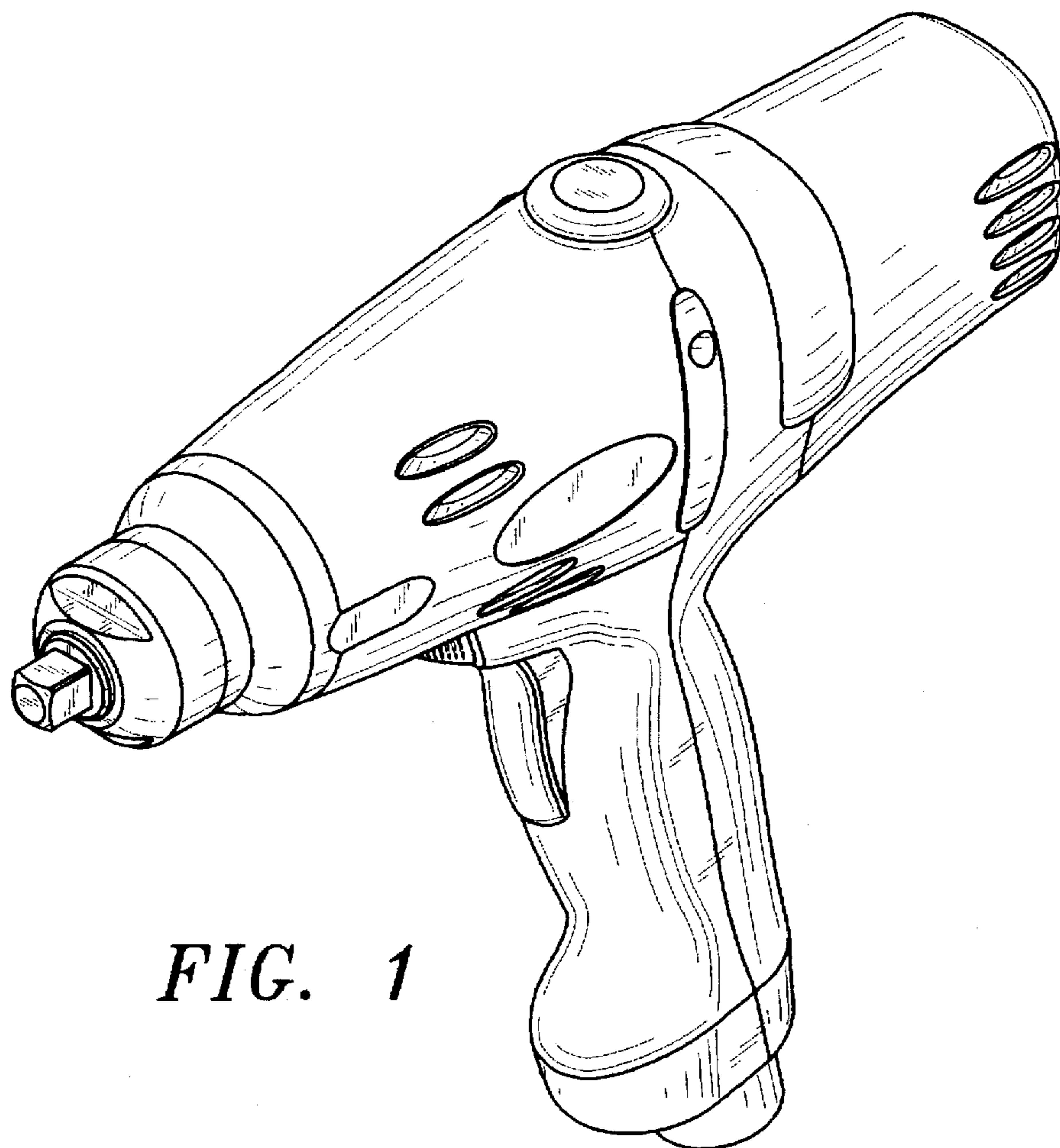


FIG. 1

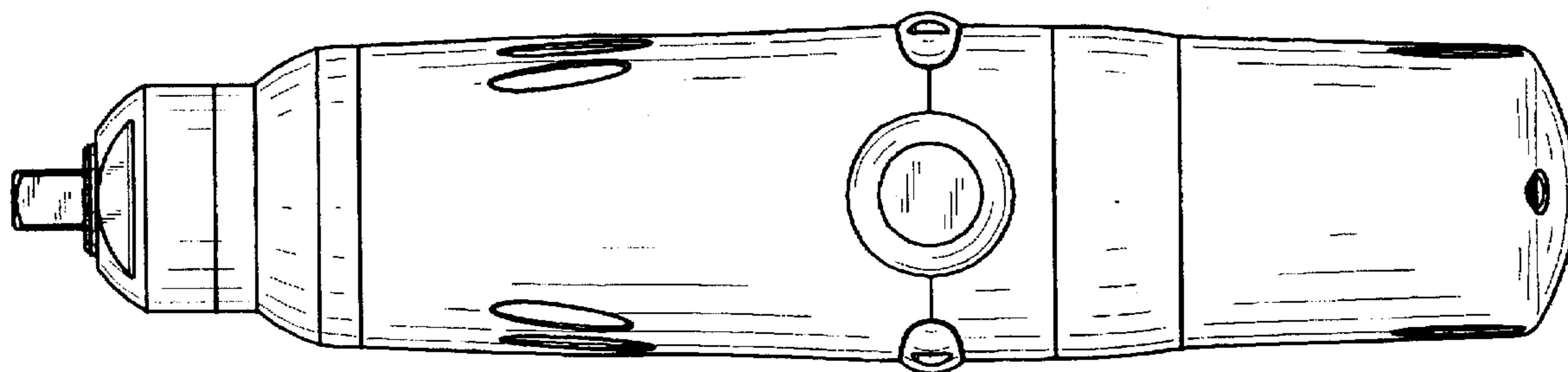


FIG. 2

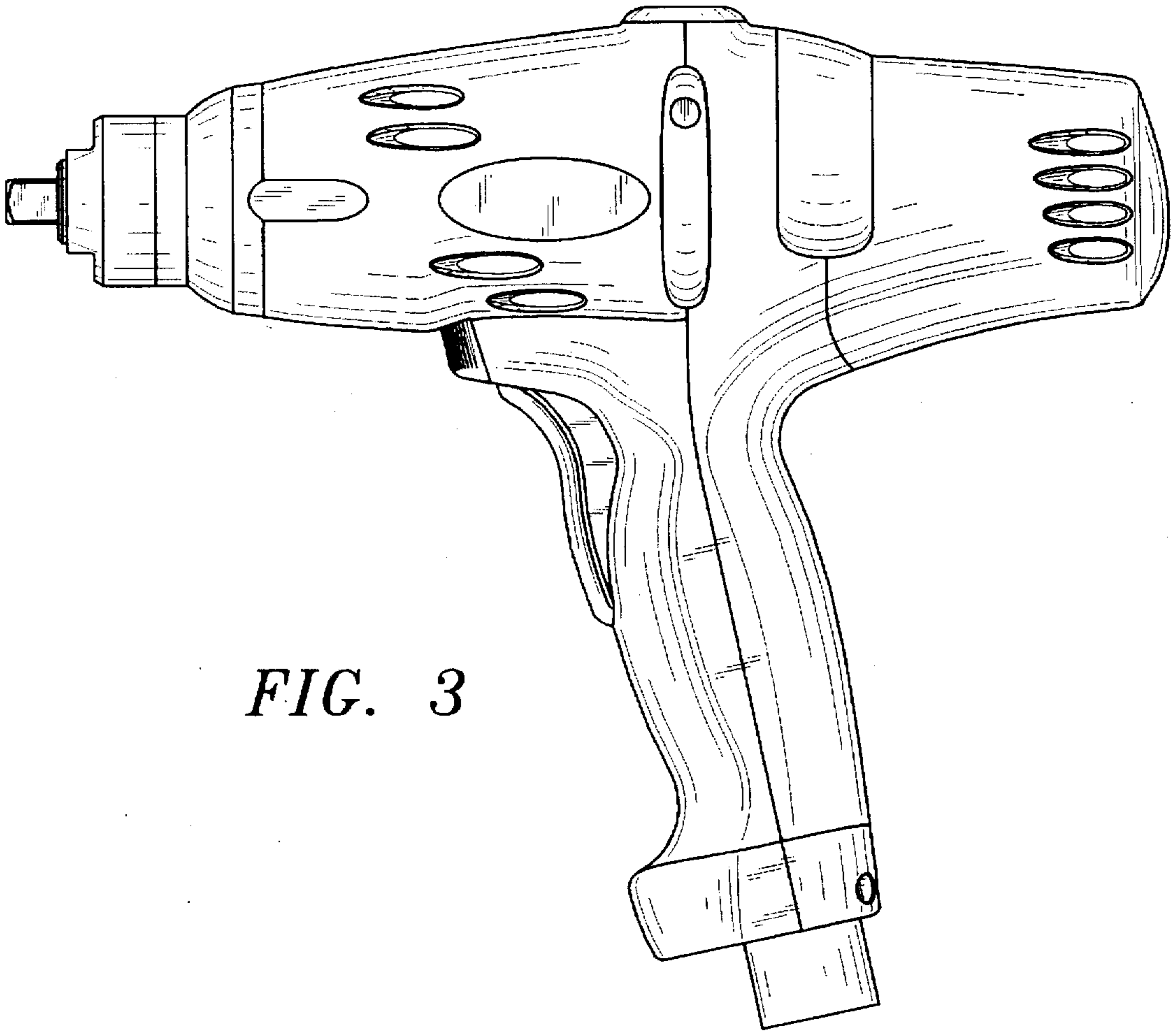


FIG. 3

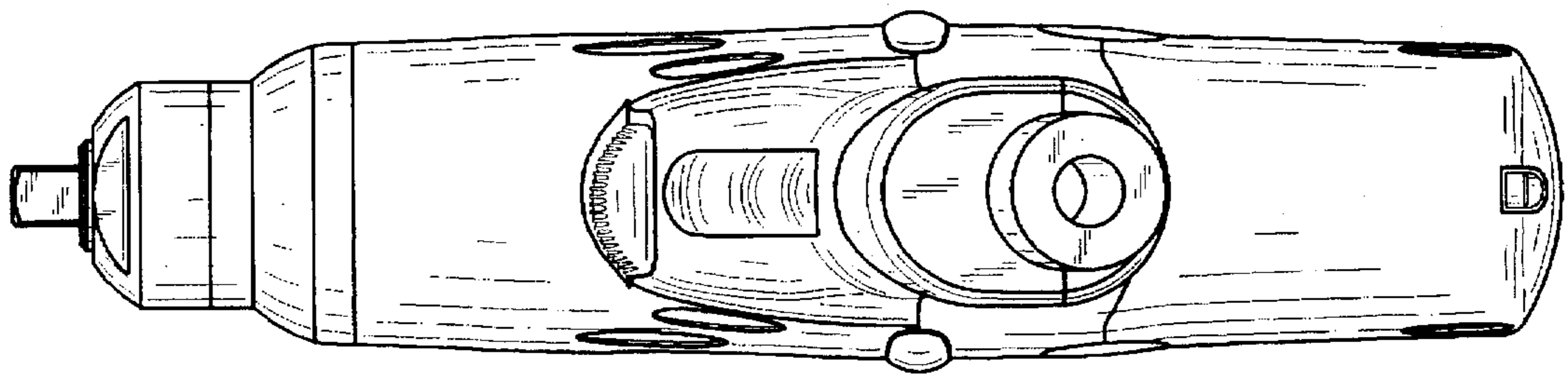


FIG. 4

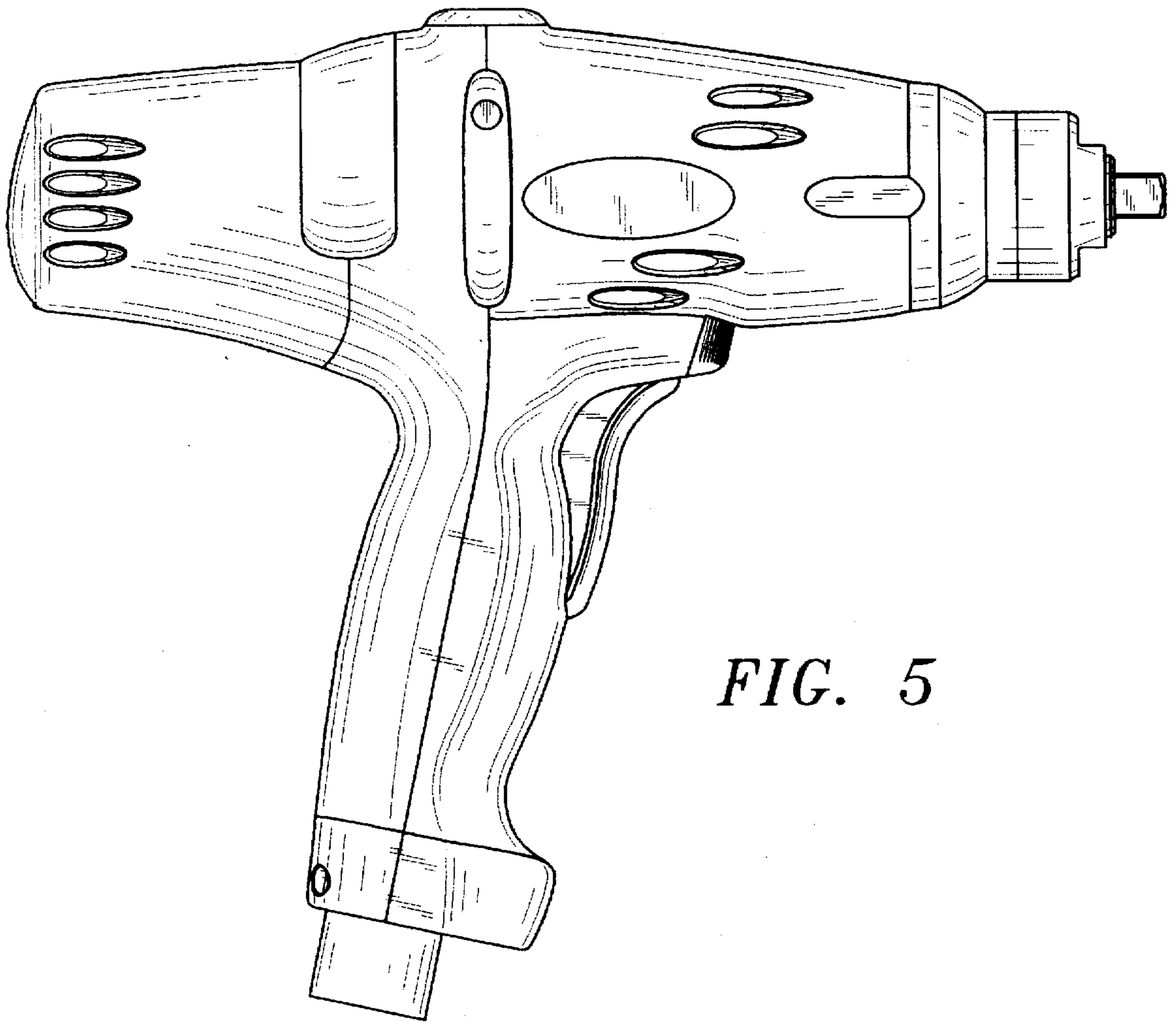


FIG. 5

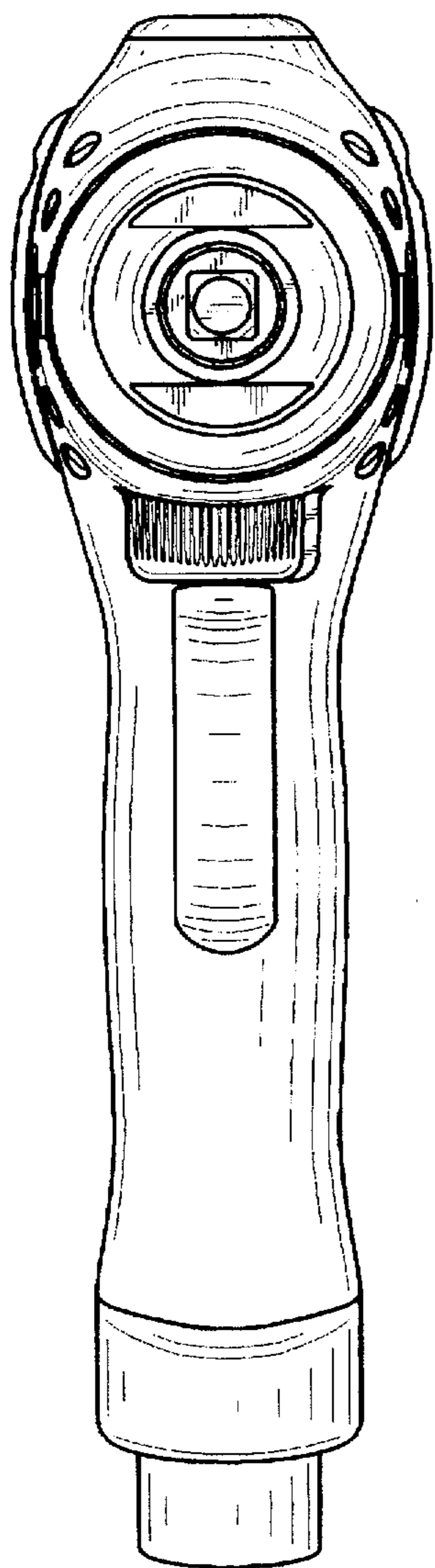


FIG. 6

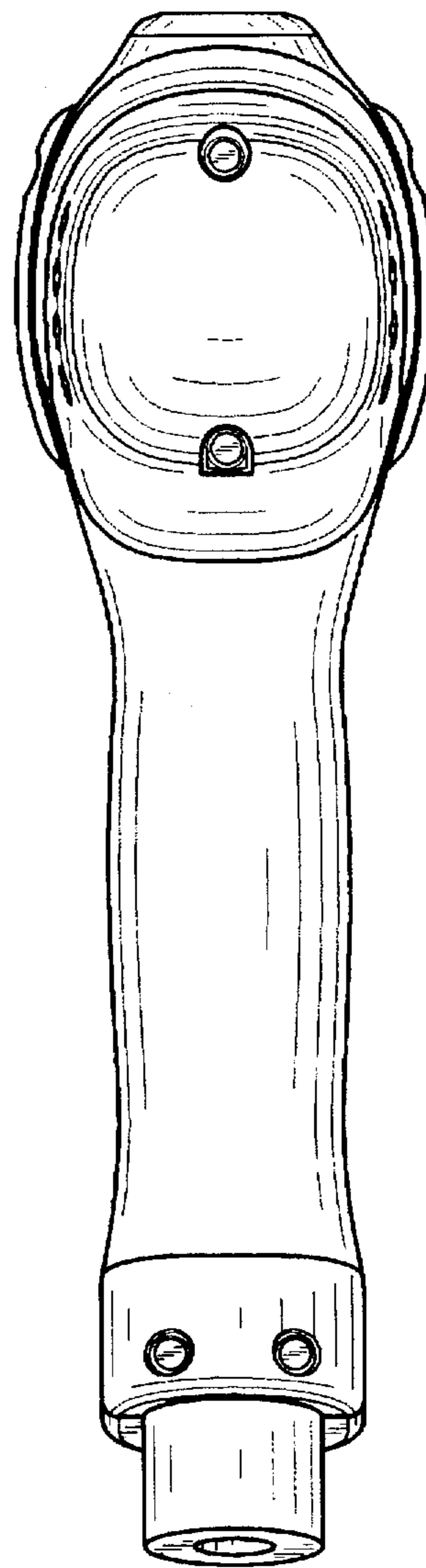


FIG. 7